



US00D979789S

(12) **United States Design Patent** (10) **Patent No.:** **US D979,789 S**
Gomez (45) **Date of Patent:** **** Feb. 28, 2023**

(54) **ELECTRONIC SURFACE SANITIZER**

(71) Applicant: **Francisco Leonardo Gomez**, Boynton Beach, FL (US)

(72) Inventor: **Francisco Leonardo Gomez**, Boynton Beach, FL (US)

(**) Term: **15 Years**

(21) Appl. No.: **29/743,819**

(22) Filed: **Jul. 24, 2020**

(51) **LOC (14) Cl.** **24-01**

(52) **U.S. Cl.**
USPC **D24/217**

(58) **Field of Classification Search**
USPC D24/107, 186, 200, 209–213, 217–219,
D24/224–232; D32/1, 25; D23/366;
D26/1–4

CPC ... A61L 2/26; A61L 2/10; A61L 2/025; A61L
2202/10; A61L 2202/11; A61L 2202/23;
A61L 2202/122

See application file for complete search history.

(56) **References Cited**

U.S. PATENT DOCUMENTS

D140,141 S *	1/1945	Glatthar et al.	D24/217
D282,202 S *	1/1986	Ellersick	392/409
D458,383 S *	6/2002	High	D24/217
D867,610 S *	11/2019	Ohata	D24/217
D877,927 S *	3/2020	Nathan	D24/217
D878,620 S *	3/2020	Nathan	D24/217
D897,554 S *	9/2020	Winderlich	D24/217
D914,232 S *	3/2021	Poulsen	D24/217
D923,810 S *	6/2021	Cai	D24/217
2019/0240369 A1 *	8/2019	Rotelli	A61L 9/20
2021/0364178 A1 *	11/2021	Kiviat	F24F 3/163

OTHER PUBLICATIONS

Clean Touch, posted at uvcprotected.com, no posting date, retrieved Dec. 16, 2021, online, URL: <https://uvcprotected.com/> (Year: 2021).*

UVC protected, posted at facebook.com, posted May 20, 2020, retrieved Dec. 16, 2021, online, URL: <https://www.facebook.com/uvcprotected/photos/a.126349085727753/126345242394804/?type=3&theater> (Year: 2020).*

UVC protected photos, posted at facebook.com, posted Apr. 29, 2020-Aug. 5, 2021, retrieved Dec. 16, 2021, online, URL: https://www.facebook.com/pg/uvcprotected/photos/?ref=page_internal (Year: 2020).*

* cited by examiner

Primary Examiner — Mary Shannon Malley

(74) *Attorney, Agent, or Firm* — Derek Fahey, Esq.; The IP Plus Firm, PLLC

(57) **CLAIM**

The ornamental design for an electronic surface sanitizer, as shown and described.

DESCRIPTION

FIG. 1 is a front view of an electronic surface sanitizer; FIG. 2 is a front perspective view thereof with a standoff connected;

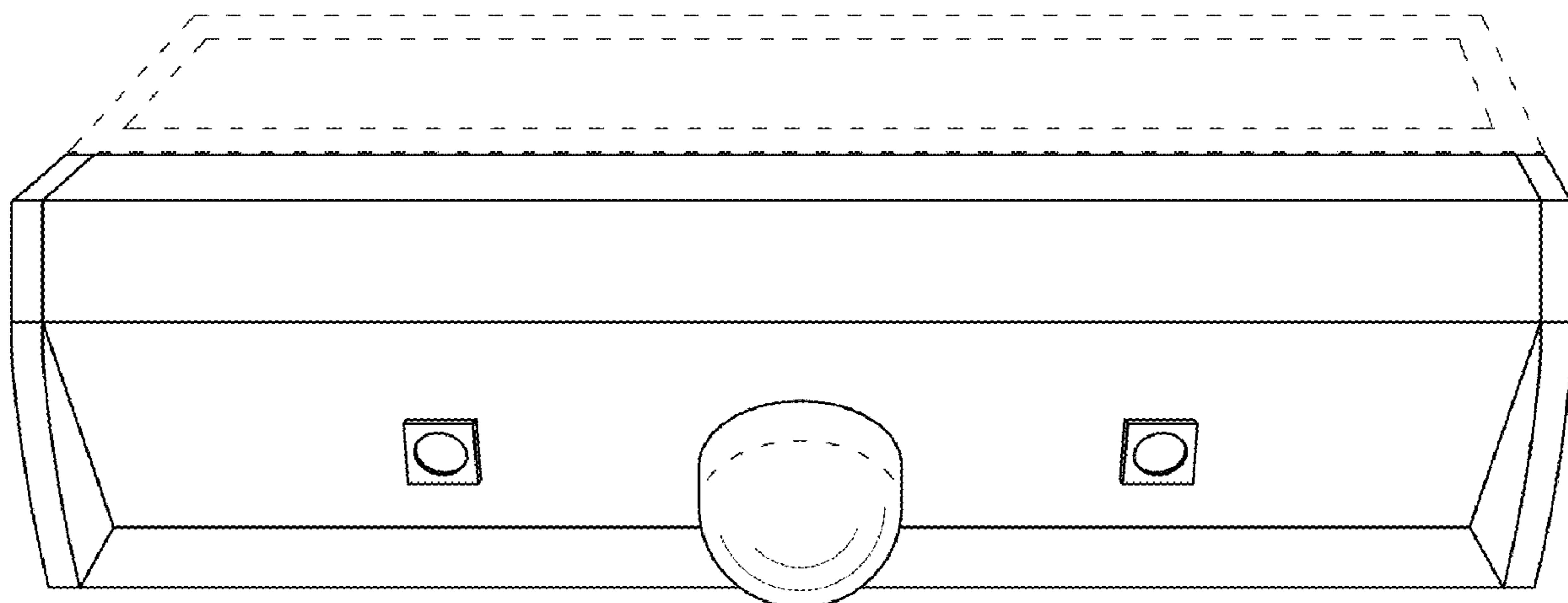
FIG. 3 is a top view thereof with the standoff connected; FIG. 4 is a back view thereof, with the standoff removed; FIG. 5 is a first side view thereof with the standoff connected;

FIG. 6 is a second side view thereof with the standoff connected; and,

FIG. 7 is the first side view thereof without the standoff.

The broken lines showing the standoff illustrate environmental subject matter that forms no part of the claimed design. The broken lines on the dome in FIGS. 1-2 depict surface ornamentation that forms no part of the claimed design. The remaining broken lines depict portions of the electronic surface sanitizer that form not part of the claimed design.

1 Claim, 7 Drawing Sheets



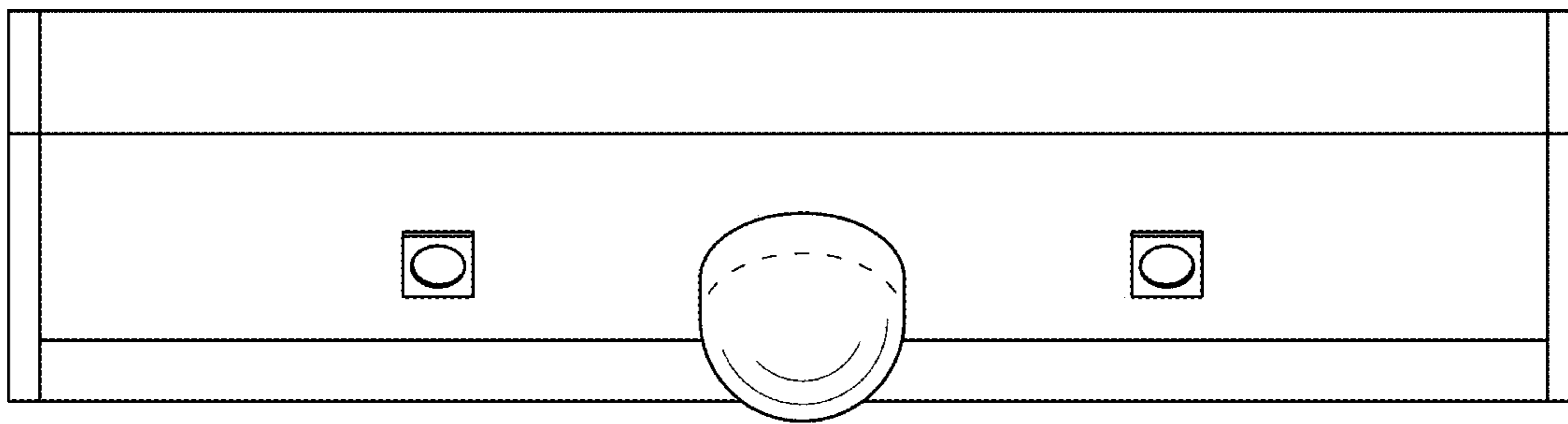


FIG. 1

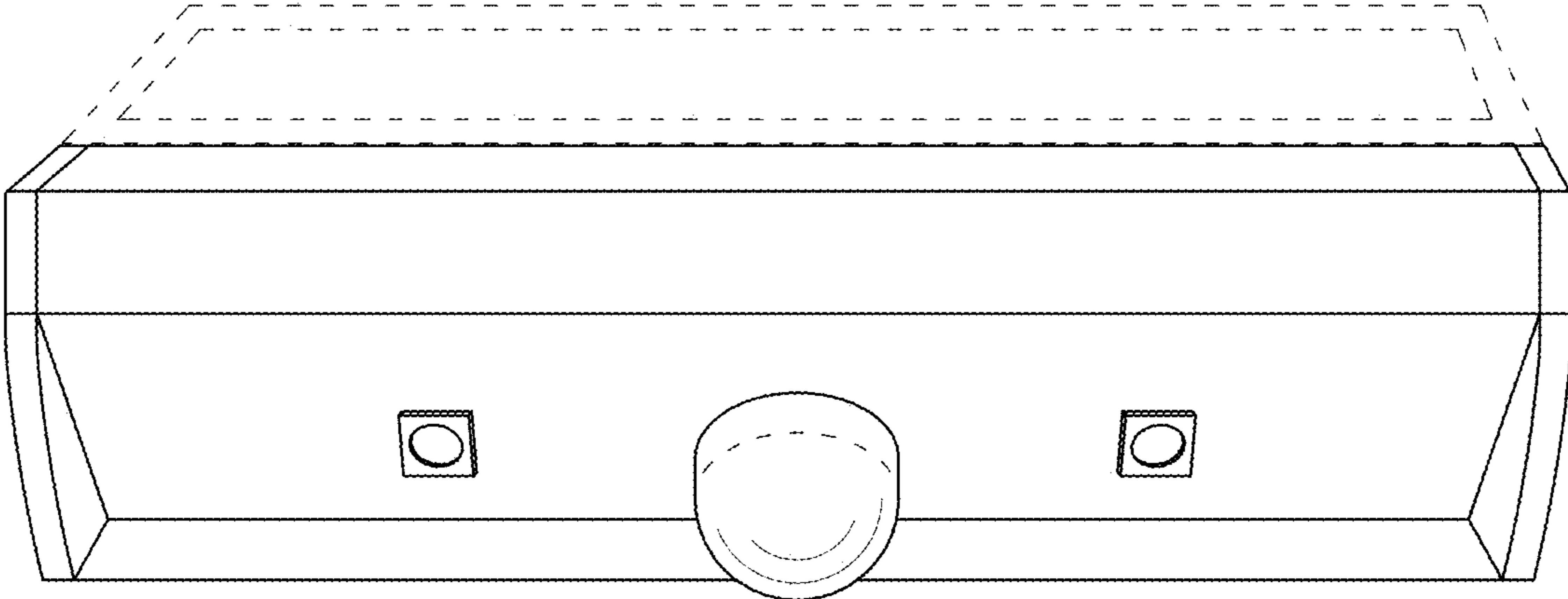


FIG. 2

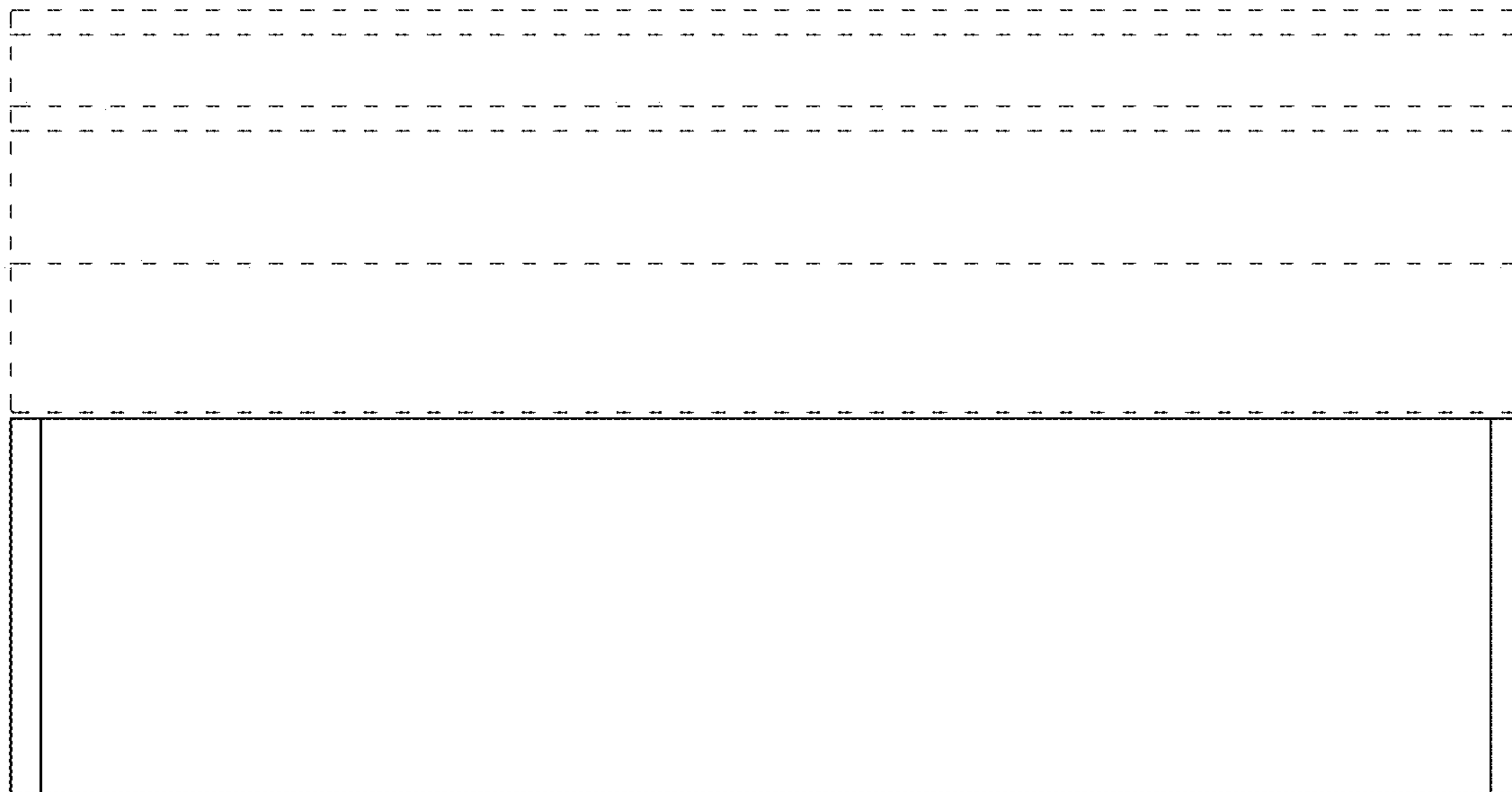


FIG. 3

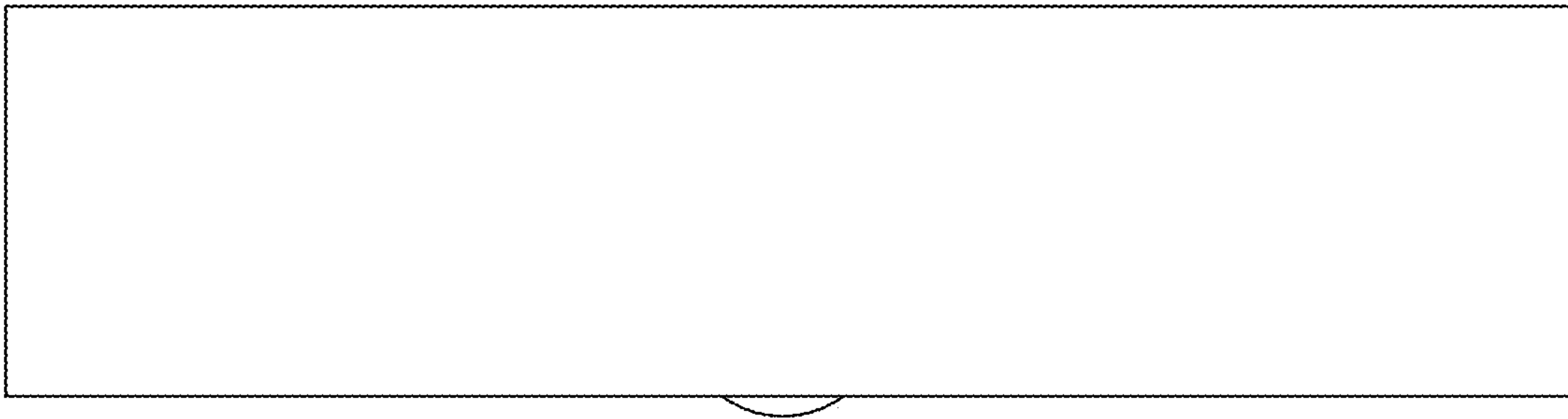


FIG. 4

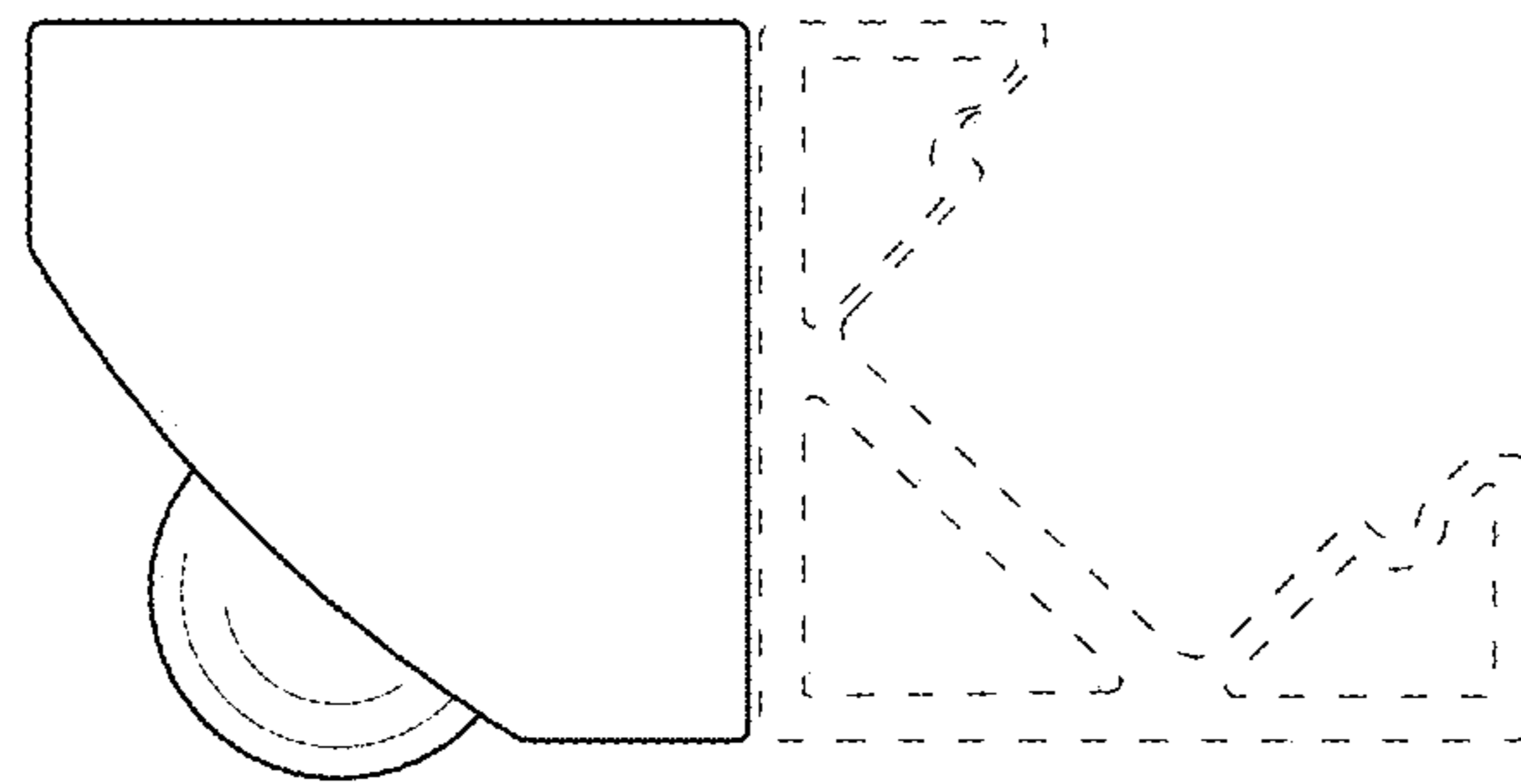


FIG. 5

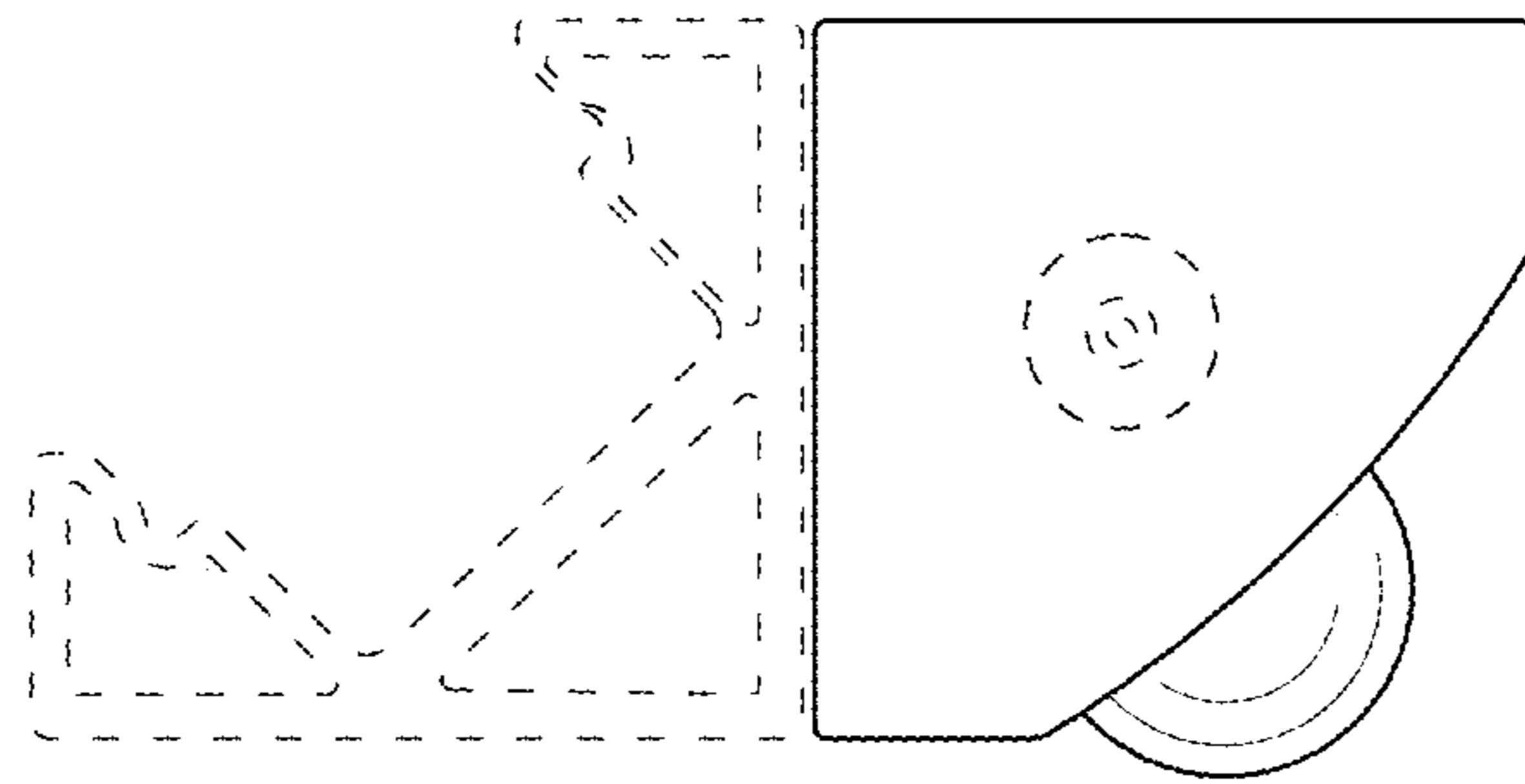


FIG. 6

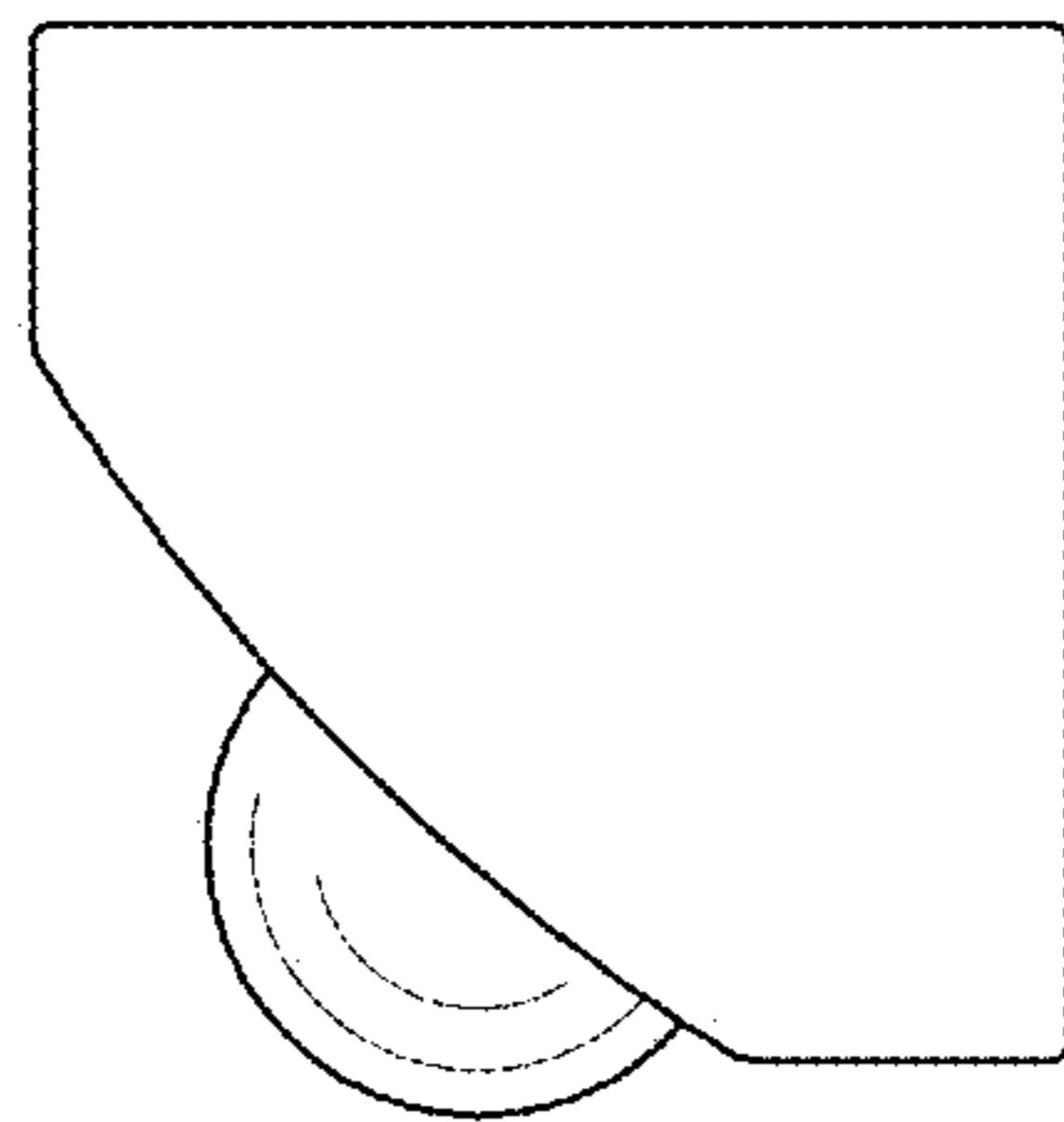


FIG. 7