



US00D979785S

(12) **United States Design Patent** (10) **Patent No.:** **US D979,785 S**
Chou (45) **Date of Patent:** **** Feb. 28, 2023**

(54) **HAND HELD MASSAGE DEVICE**
(71) Applicant: **Selfkaire, Inc.**, Los Angeles, CA (US)
(72) Inventor: **Kathy Chou**, Irvine, CA (US)
(73) Assignee: **Selfkaire, Inc.**, Irvine, CA (US)
(**) Term: **15 Years**
(21) Appl. No.: **29/777,658**
(22) Filed: **Apr. 7, 2021**

7,503,923 B2 3/2009 Miller
D665,915 S 8/2012 Ma
D740,432 S 10/2015 Wu
D827,147 S 8/2018 Jacobs
D843,002 S 3/2019 Yarborough
D845,499 S 4/2019 Wersland
D848,089 S 5/2019 Cunniff
D861,260 S 9/2019 Cunniff
D865,192 S 10/2019 Nazarian
D865,987 S 11/2019 Jacobs

(Continued)

FOREIGN PATENT DOCUMENTS

CN 1984629 A 6/2007
CN 201235059 Y 5/2009

(Continued)

Related U.S. Application Data

(62) Division of application No. 29/680,139, filed on Feb. 13, 2019, now Pat. No. Des. 928,334.
(51) **LOC (14) Cl.** **28-03**
(52) **U.S. Cl.**
USPC **D24/215**
(58) **Field of Classification Search**
USPC D24/200, 211, 212, 213, 214, 215;
D8/378
CPC A61H 2201/0153; A61H 7/003; A61H
7/005; A61H 15/0092; A61H 2201/1635;
A61H 7/007; A61H 15/0085; A61H
2015/0042
See application file for complete search history.

OTHER PUBLICATIONS

Selfkaire, "Kairetool_Mirror", Accessed Date: Oct. 6, 2022. <https://selfkaire.com/products/kairetool-essential-mirror> (Year: 2022).*

(Continued)

Primary Examiner — Michael A Maharajh
(74) *Attorney, Agent, or Firm* — KOS IP Law LLP

(57) **CLAIM**

The ornamental design for a handheld massage device, as shown and described.

DESCRIPTION

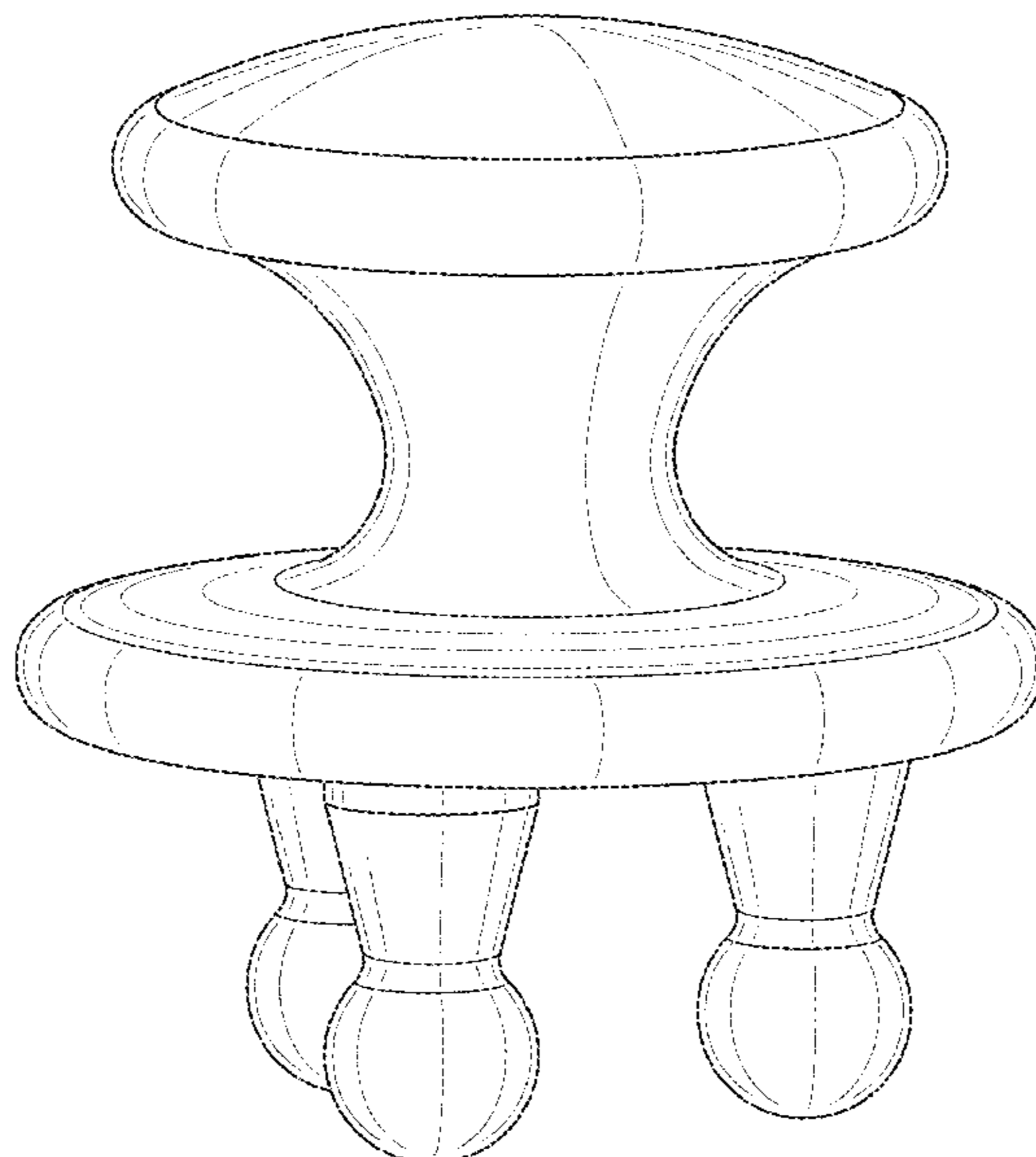
FIG. 1 is a top perspective view of a handheld massage device showing my new design;
FIG. 2 is a front view thereof;
FIG. 3 is a rear view thereof;
FIG. 4 is a left view thereof;
FIG. 5 is a right view thereof;
FIG. 6 is a top view thereof; and,
FIG. 7 is a bottom view thereof.

1 Claim, 7 Drawing Sheets

(56) **References Cited**

U.S. PATENT DOCUMENTS

D245,856 S * 9/1977 Grube D4/114
4,691,693 A 9/1987 Sato
D372,313 S 7/1996 McMillan
6,001,055 A 12/1999 Souder
7,082,871 B2 8/2006 Schultz
D556,913 S 12/2007 Laituri
D581,543 S 11/2008 Ferber
D582,049 S 12/2008 Ferber
D582,563 S 12/2008 Ferber



(56)

References Cited

U.S. PATENT DOCUMENTS

D890,353	S	7/2020	Nazarian	
D903,140	S *	11/2020	Andrejs	D24/214
D918,404	S *	5/2021	Wersland	D24/211
D927,716	S *	8/2021	Wersland	D24/215
D928,334	S *	8/2021	Chou	D24/215
D931,492	S *	9/2021	Li	D24/215
D949,366	S *	4/2022	Li	D24/211
D949,416	S *	4/2022	Khubani	D24/215
D949,417	S *	4/2022	Khubani	D24/215
D949,418	S *	4/2022	Khubani	D24/215
D952,878	S *	5/2022	Lin	D24/211
D955,861	S *	6/2022	Huang	D8/372
D961,795	S *	8/2022	Zhao	D24/215
2003/0236477	A1	12/2003	Huang	
2013/0238061	A1	9/2013	Ron Edoute	
2020/0108266	A1	4/2020	Chou	
2020/0269062	A1 *	8/2020	Chou	A61N 2/004

FOREIGN PATENT DOCUMENTS

DE	102008055885	B4	4/2011
JP	2016083181	A	5/2016
KR	101468058	B1	12/2014
WO	2000057832	A1	10/2000

OTHER PUBLICATIONS

Amazon, "Kairetool Face and Body Muscle Massager", Date First Available: Mar. 1, 2019. <https://www.amazon.com/dp/B07P7Y8CQ5/>

ref=sspa_dk_detail_6?ie=UTF8&psc=1&pd_rd_i=&pd_rd_i=B07P7Y8CQ5p13NParams&s=hpc&sp_csd=d2lkZ2V0TmFtZT1zcF9kZXRhaWw (Year: 2019).*

Google Search, "facial rollers," 5 pages [online], [retrieved on Aug. 6, 2019]. Retrieved from the Internet: <URL:https://www.google.com/search?q=facial+rollers&client=safari&hl=en-us&prmd=sinv&source=Inms&tbm=isch&sa=X&ved=0ahUKEwj18vOimdfdAhUEOn0KHewPBsAQ_AuIEigC&biw=375&bih=635>.

ReFa USA, "USA Official Website," 2019, 4 pages [online], [retrieved on Aug. 6, 2019]. Retrieved from the Internet <URL:<https://www.refausa.com/>>.

Amazon, "Kairetool Muscle Massager", Mar. 17, 2019. https://www.amazon.com/Selfkaire-Kairetool-Face-Muscle-Roller/dp/B07P7Y8N-NR/ref=cm_cr_arp_d_product_top?ie=UTF8. Shown on p. 1. (Year: 2019).

Selfkaire, "Kairetool dia", Jan. 21, 2019. <https://selfkaire.com/products/kairetool-jewel-dia>. Shown on p. 1. (Year: 2019).

Urbanoutfitters, "Selfkaire Kairetool", Dec. 6, 2020. <https://www.urbanoutfitters.com/shop/selfkaire-kairetool-dia-light-facial-and-body-tool?color=070&type=REGULAR&size=ONE%20SIZE&quantity=1>. Shown on p. 1. (Year: 2020).

Pammyblogbeauty, "Pammy Biogs Beauty_What is the Kairetool", May 6, 2020. <http://www.pammyblogsbeauty.com/2020/05/cool-sculpting-facial-and-body-massage.html>. Shown on p. 1. (Year: 2020).

International Search Report and Written Opinion on related international application No. PCT/US2019/052842 from Authorized Officer S. Denisjuk dated Dec. 19, 2019 (7 pages).

* cited by examiner

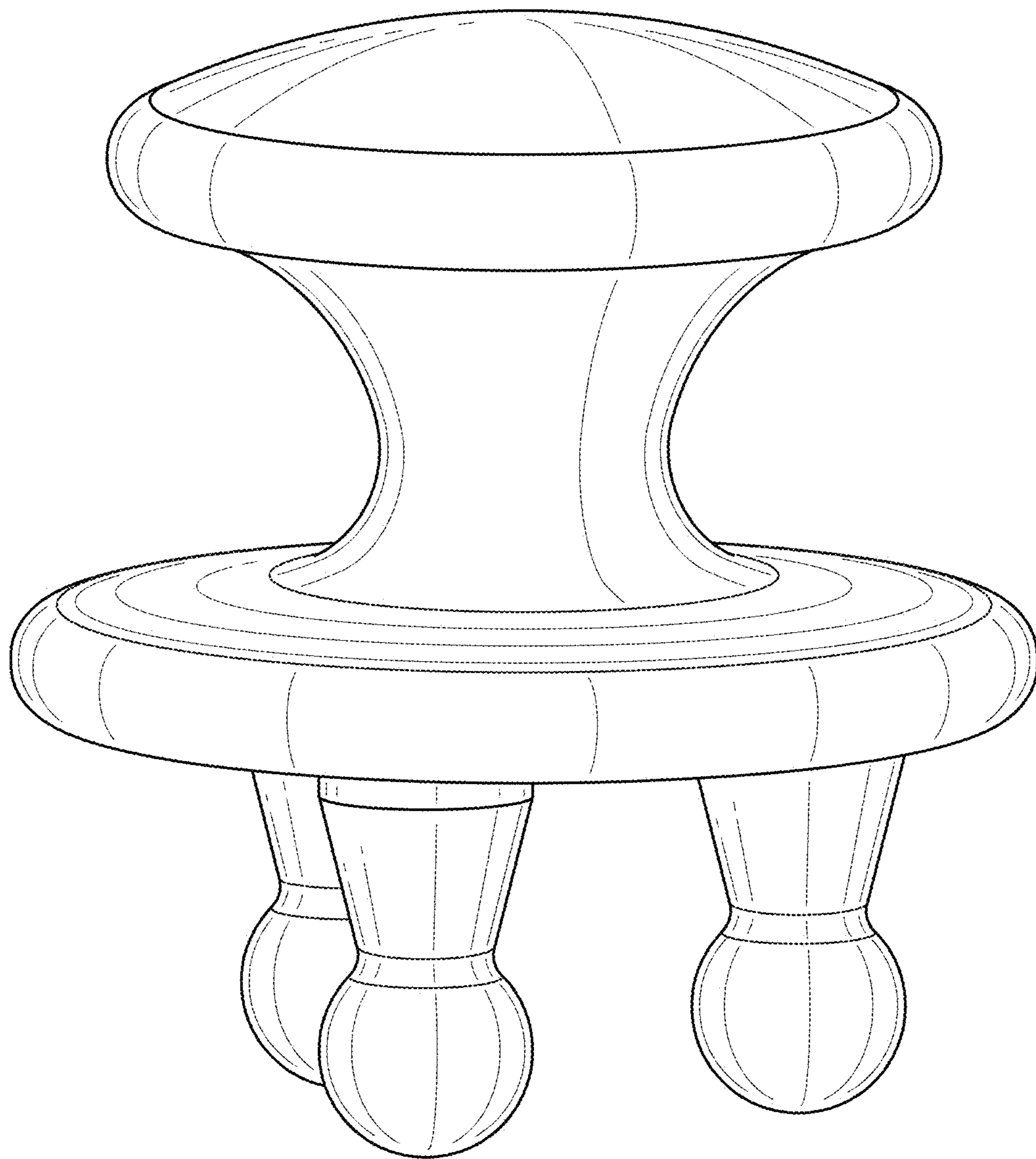


FIG. 1

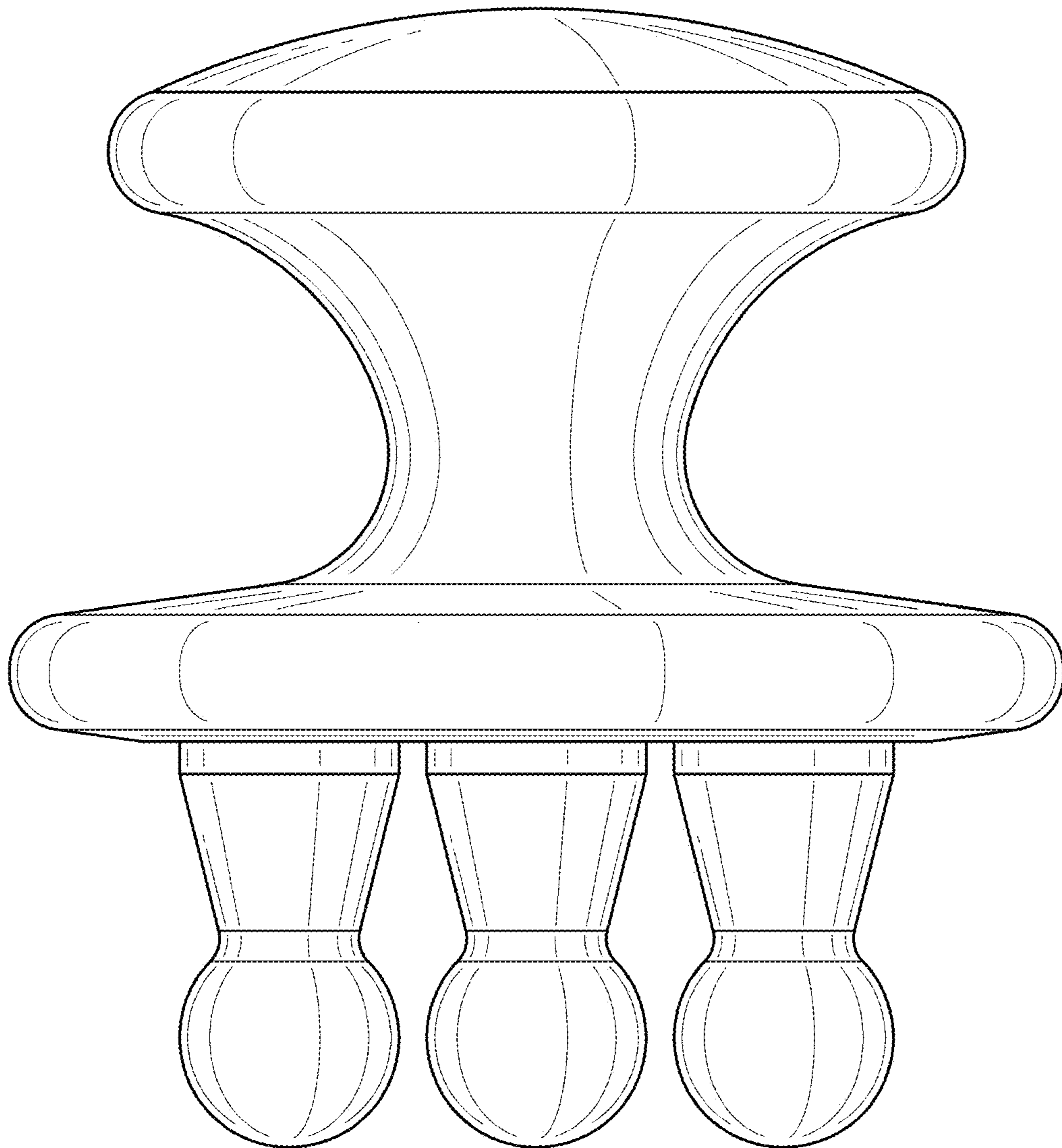


FIG. 2

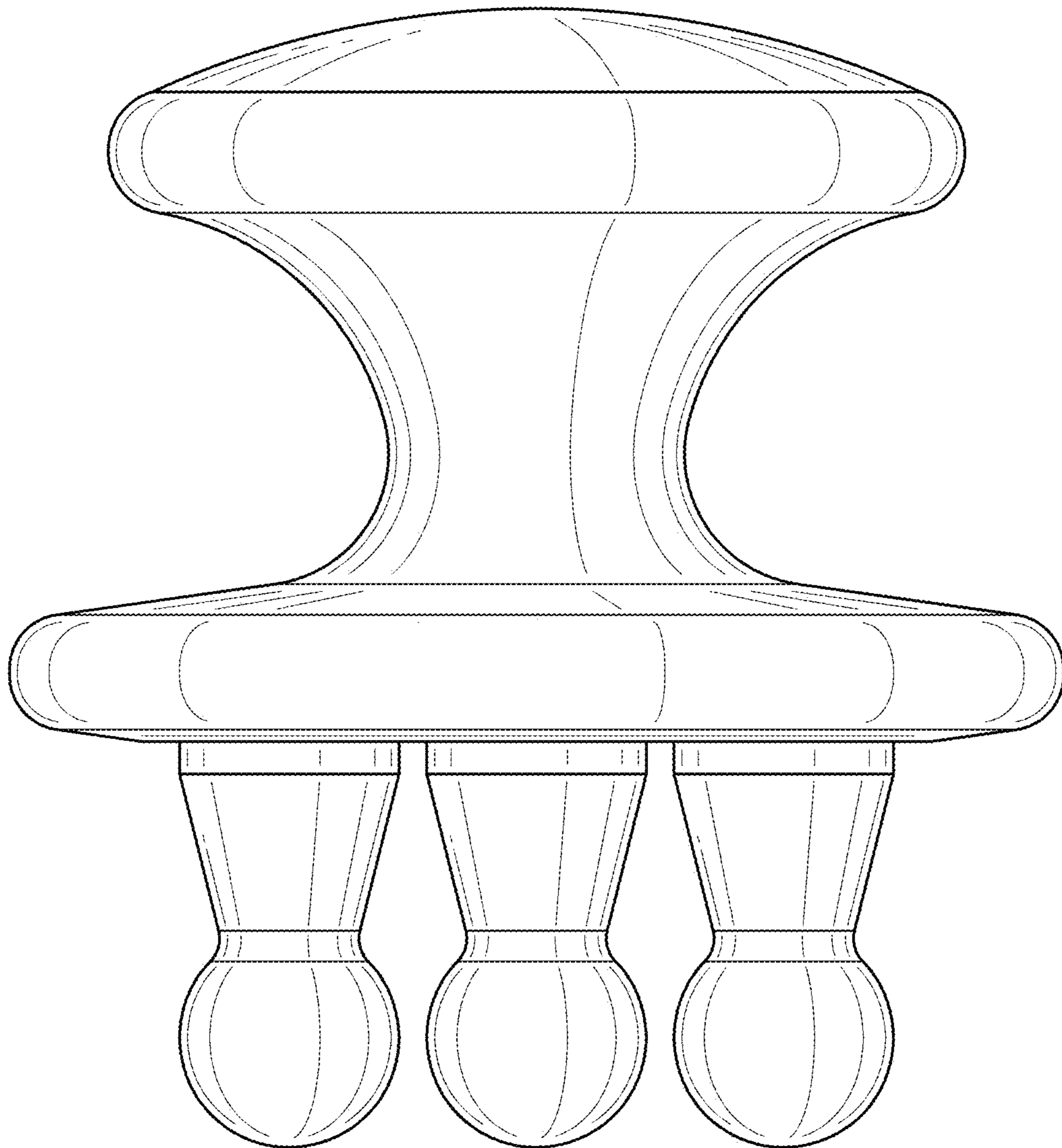


FIG. 3

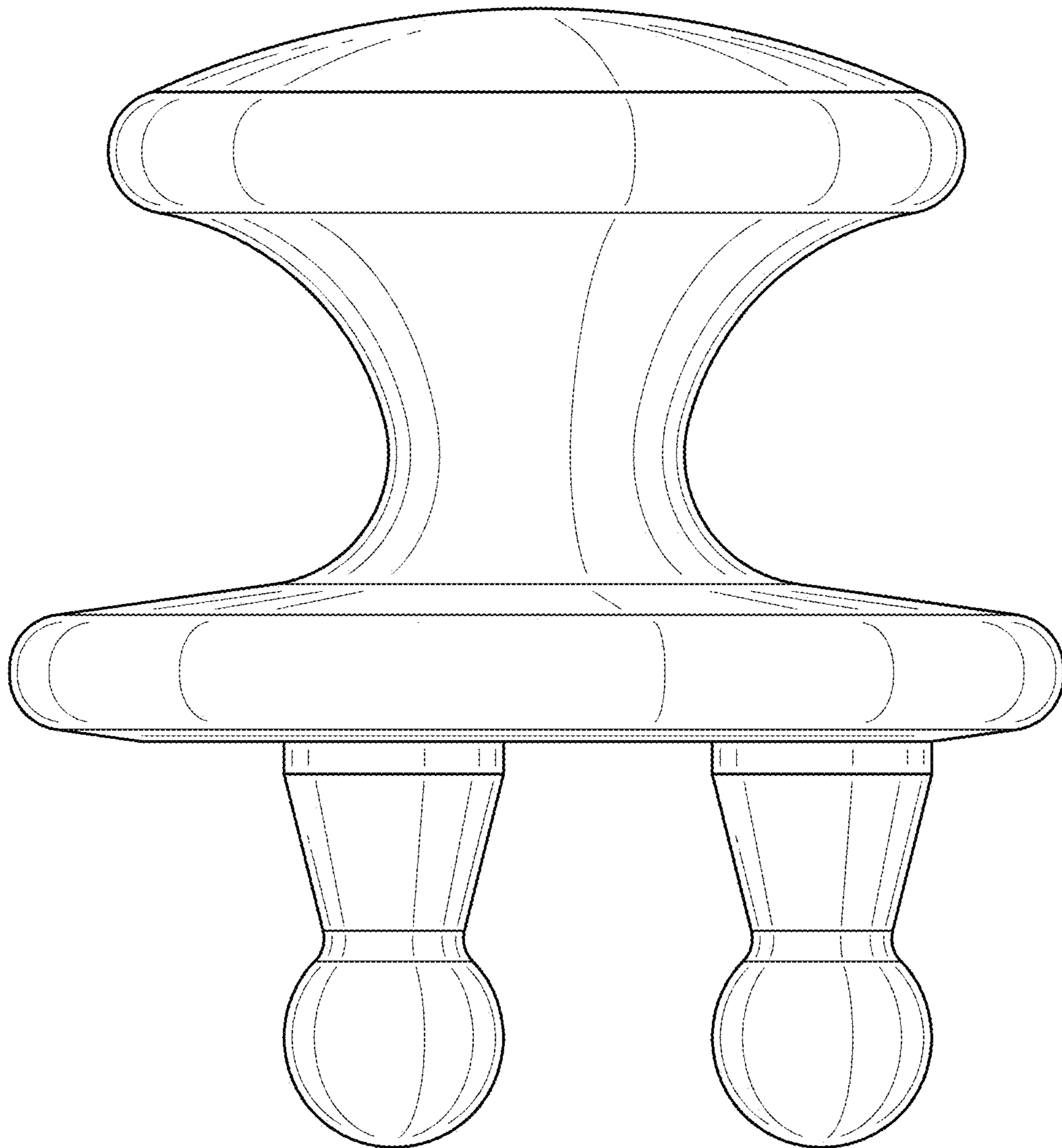


FIG. 4

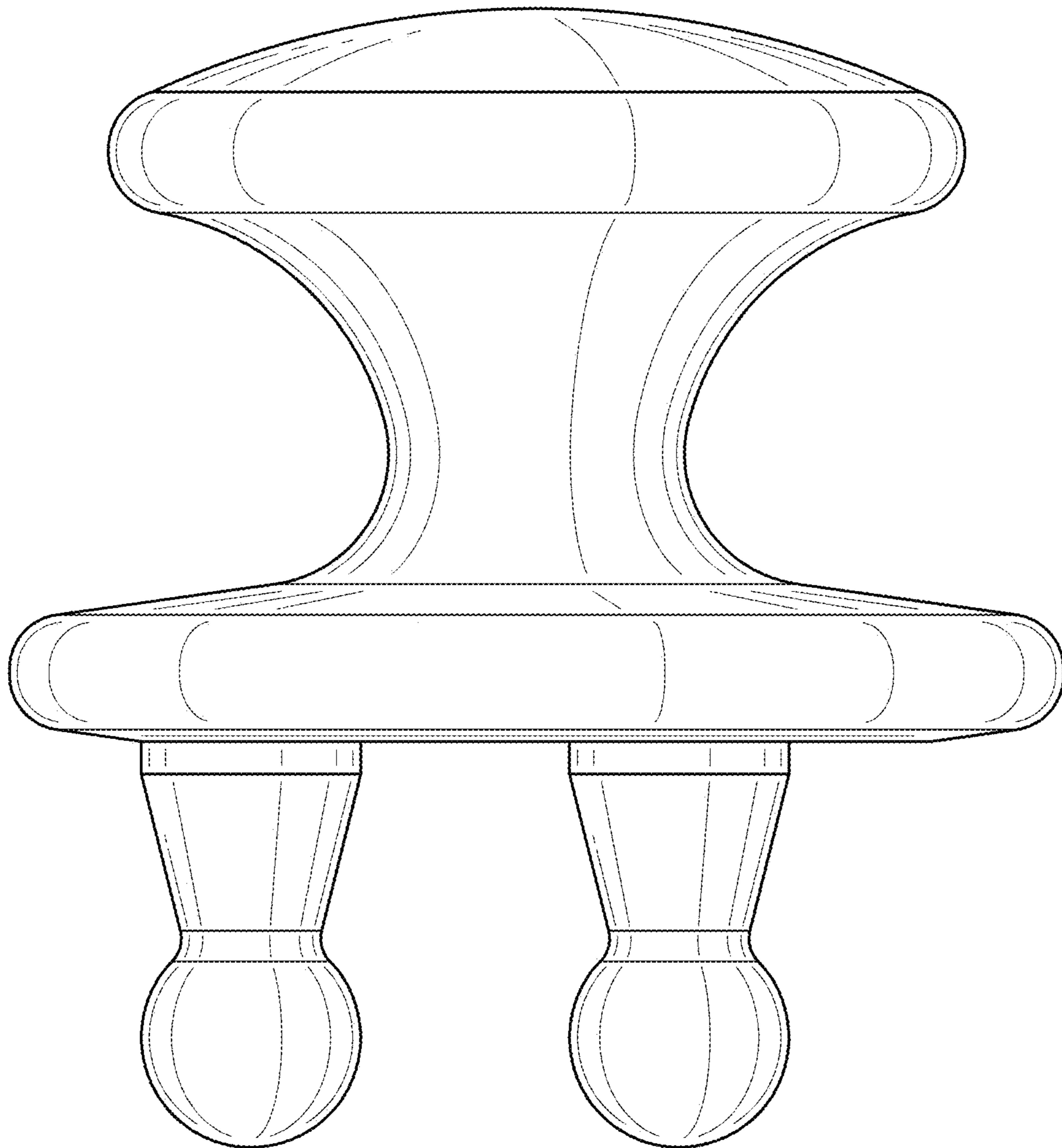


FIG. 5

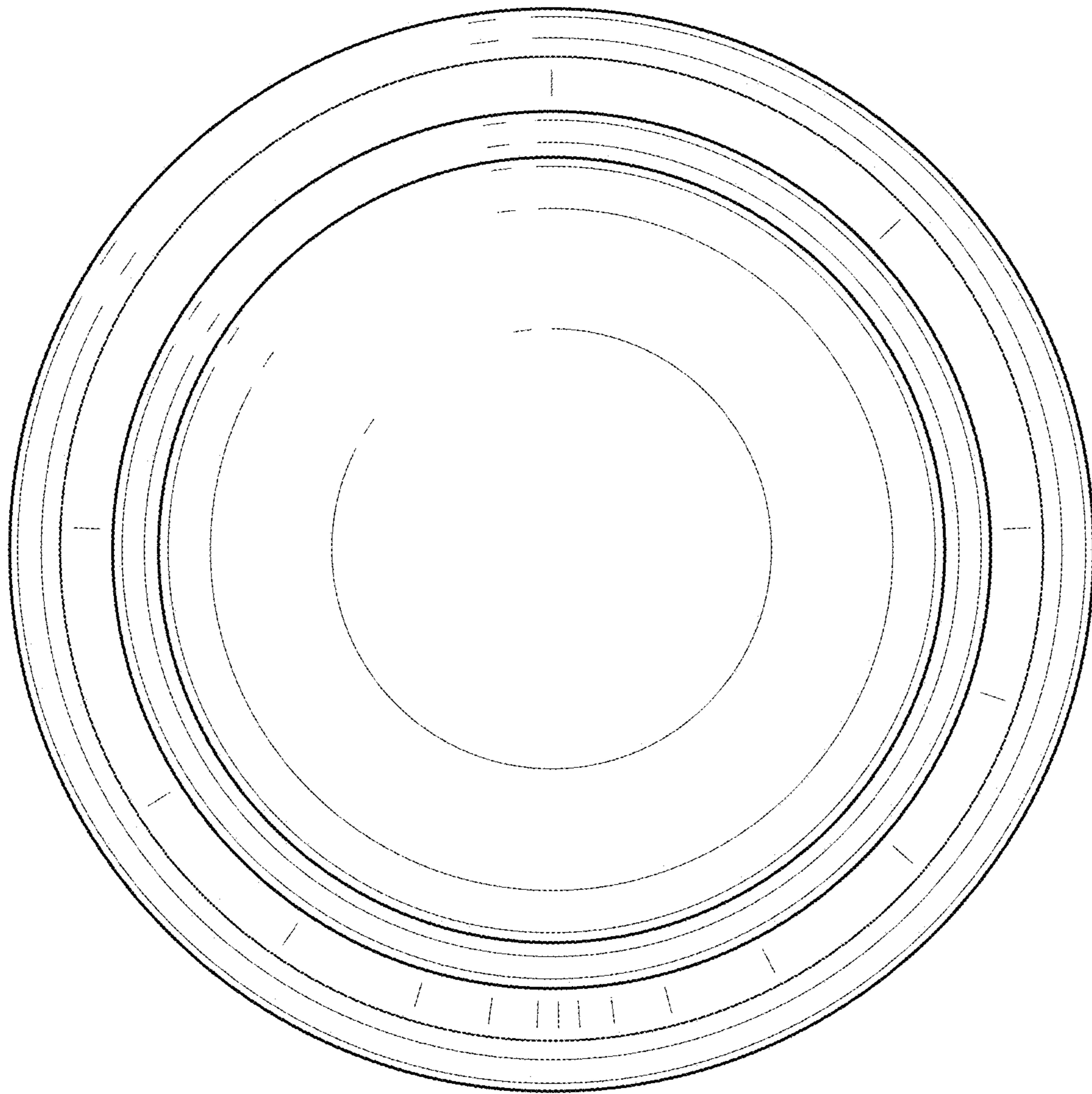


FIG. 6

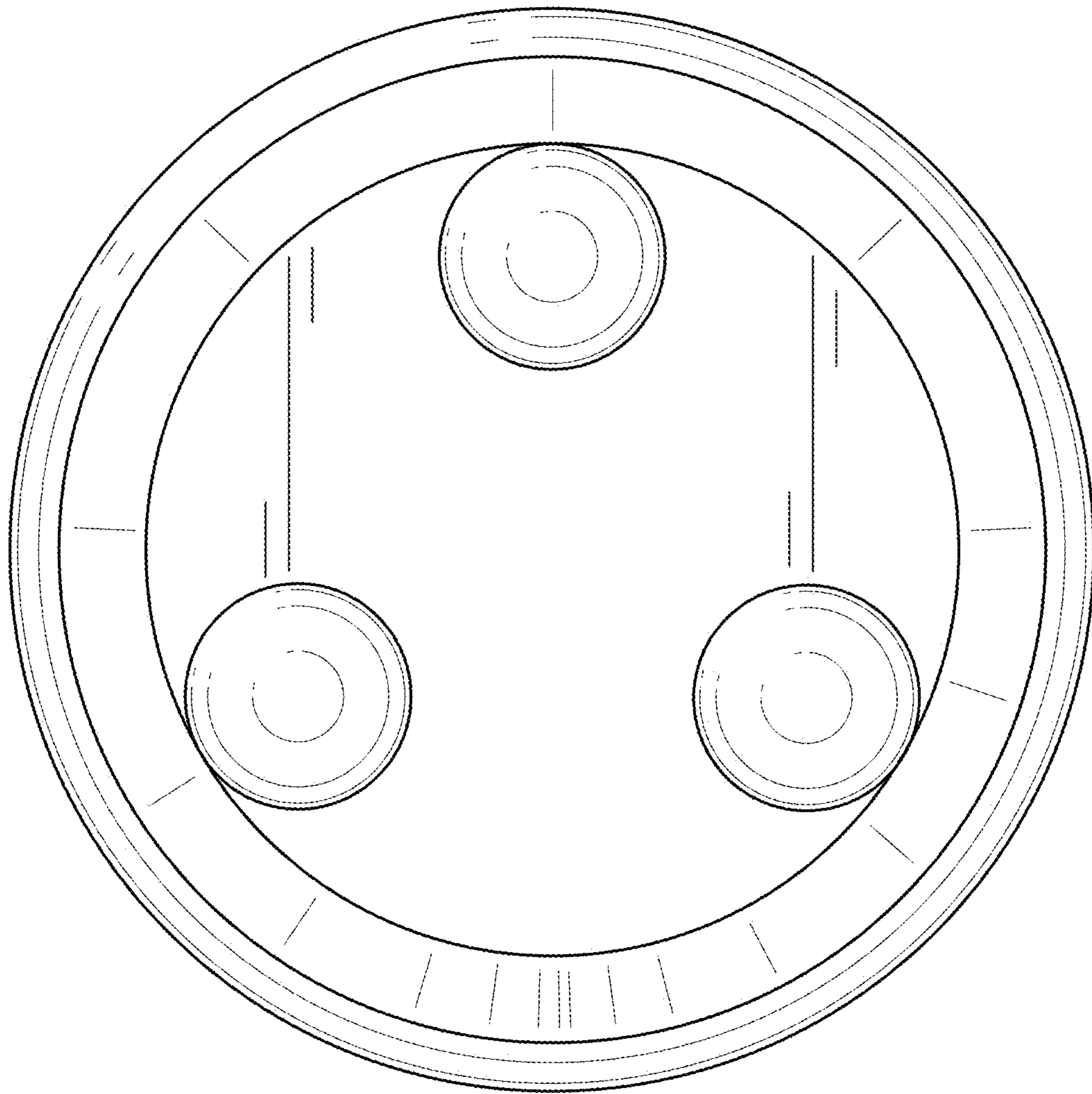


FIG. 7