



US00D979784S

(12) **United States Design Patent**
Kulyk

(10) **Patent No.:** **US D979,784 S**

(45) **Date of Patent:** **** Feb. 28, 2023**

(54) **AUTOMATIC SPANKING DEVICE**

(71) Applicant: **Stanislav Kulyk**, Lublin (PL)

(72) Inventor: **Stanislav Kulyk**, Lublin (PL)

(**) Term: **15 Years**

(21) Appl. No.: **29/754,684**

(22) Filed: **Oct. 13, 2020**

(51) **LOC (14) Cl.** **28-03**

(52) **U.S. Cl.**
USPC **D24/215**

(58) **Field of Classification Search**

USPC D24/215, 200, 211, 212, 213, 214, 133,
D24/107, 231, 184, 141; D8/360;
D15/10, 66, 122, 147, 141, 199
CPC A61H 19/00; A61H 19/30; A61H 19/32;
A61H 19/34; A61H 19/40; A61H 19/44;
A61H 19/50; A61H 21/00; A61H 23/00;
A61H 7/00; A61H 7/003; A61H 7/004;
A61H 9/00; A61H 2205/087; A61H
2205/086

See application file for complete search history.

(56) **References Cited**

U.S. PATENT DOCUMENTS

3,552,388 A * 1/1971 Zelenka A61M 21/00
601/112
4,807,603 A * 2/1989 Yasui A61H 15/00
601/121
D479,326 S * 9/2003 Pollock D24/108

(Continued)

OTHER PUBLICATIONS

Auto-spanker. Date: Aug. 30, 2019. [online]. [Site visited Jun. 29, 2022]. Available from Internet URL: twitter.com/realrubbermatt/status/1167363979527827456 (Year: 2019).*

(Continued)

Primary Examiner — Susan Bennett Hattan
Assistant Examiner — Landon Thomas Cassell

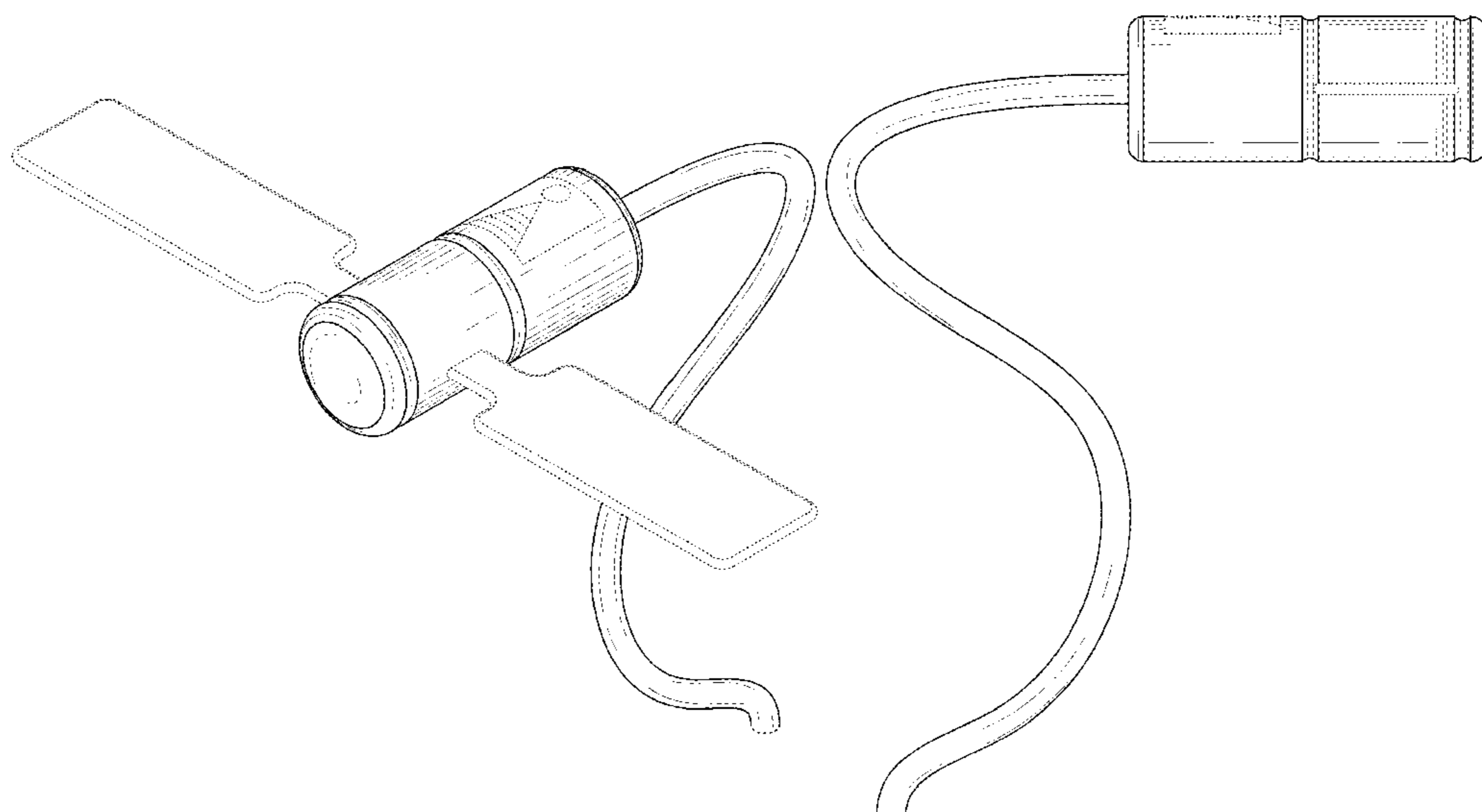
(57) **CLAIM**

The ornamental design for an automatic spanking device, as shown and described.

DESCRIPTION

FIG. 1 is a top-front-right perspective view of an automatic spanking device showing my new design;
FIG. 2 is a bottom-rear-left perspective view thereof;
FIG. 3 is a front elevated view thereof;
FIG. 4 is a rear elevated view thereof;
FIG. 5 is a top plan view thereof;
FIG. 6 is a bottom plan view thereof;
FIG. 7 is a left elevated view thereof;
FIG. 8 is a right elevated view thereof;
FIG. 9 is a top-front-right perspective view thereof, showing the automatic spanking device with a mounting clamp;
FIG. 10 is a bottom-rear-left perspective view thereof, showing the automatic spanking device with the mounting clamp;
FIG. 11 is a reduced top perspective view thereof, showing the automatic spanking device in an operational configuration; and,
FIG. 12 is a reduced top perspective view thereof; showing the automatic spanking device in the operational configuration.
The broken lines showing of a user interface in FIGS. 1, 5, 7-9, and 11-12, the broken lines showing of a flexible arm end in FIGS. 1-4, and 6-9, the broken lines showing of paddles in FIG. 1-12, the broken lines showing of a clamp in FIG. 9-10, the broken lines showing of users in FIG. 11-12, the broken lines showing directional arrows in FIGS. 11 and 12, and the broken lines showing vibrational lines in FIGS. 11 and 12 are included for the purpose of showing environmental structure and form no part of the claimed design.

1 Claim, 12 Drawing Sheets



(56)

References Cited

U.S. PATENT DOCUMENTS

D563,557	S	*	3/2008	Fink	D24/211
D567,952	S	*	4/2008	Fink	D24/200
D567,953	S	*	4/2008	Fink	D24/200
D567,954	S	*	4/2008	Fink	D24/200
D567,955	S	*	4/2008	Fink	D24/200
D639,442	S	*	6/2011	Chandler	A45D 44/22 D24/190
D700,709	S	*	3/2014	Khodabakhshian	D24/211
D732,687	S	*	6/2015	Johnson	D24/231
D884,804	S	*	5/2020	Ross	D24/211
D897,551	S	*	9/2020	Nasta	D24/211
D915,613	S	*	4/2021	Durfee	D24/211
2021/0113423	A1	*	4/2021	Kim	A63B 22/20

OTHER PUBLICATIONS

Spanker Machine—SPKM-MAK-3. Date: Feb. 25, 2017. [online].
 [Site visited Jun. 29, 2022]. Available from Internet URL: https://vimeo.com/205710332?embedded=true&source=vimeo_logo&owner=21767124 (Year: 2017).*

Massage devices. (Design—© Questel) orbit.com. [Online PDF
 compilation of references] 6 pgs. Print Dates Range Jun. 20,
 2003-Sep. 29, 2020 [Retrieved Jul. 6, 2022] <https://www.orbit.com/export/UCZAH96B/pdf4/bf754c65-d222-4205-8745-8986ed9db46f-212631.pdf> (Year: 2022).*

* cited by examiner

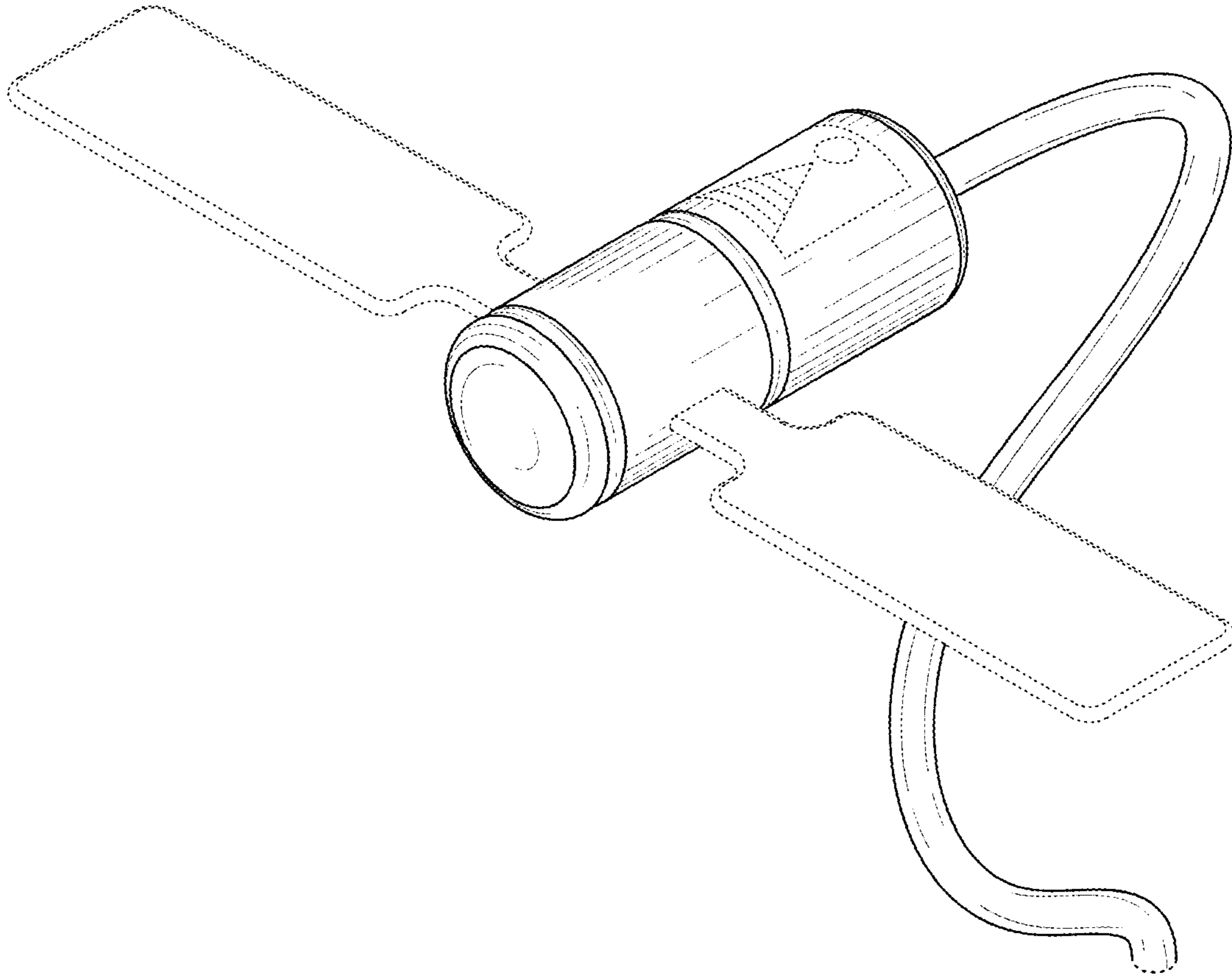


FIG. 1

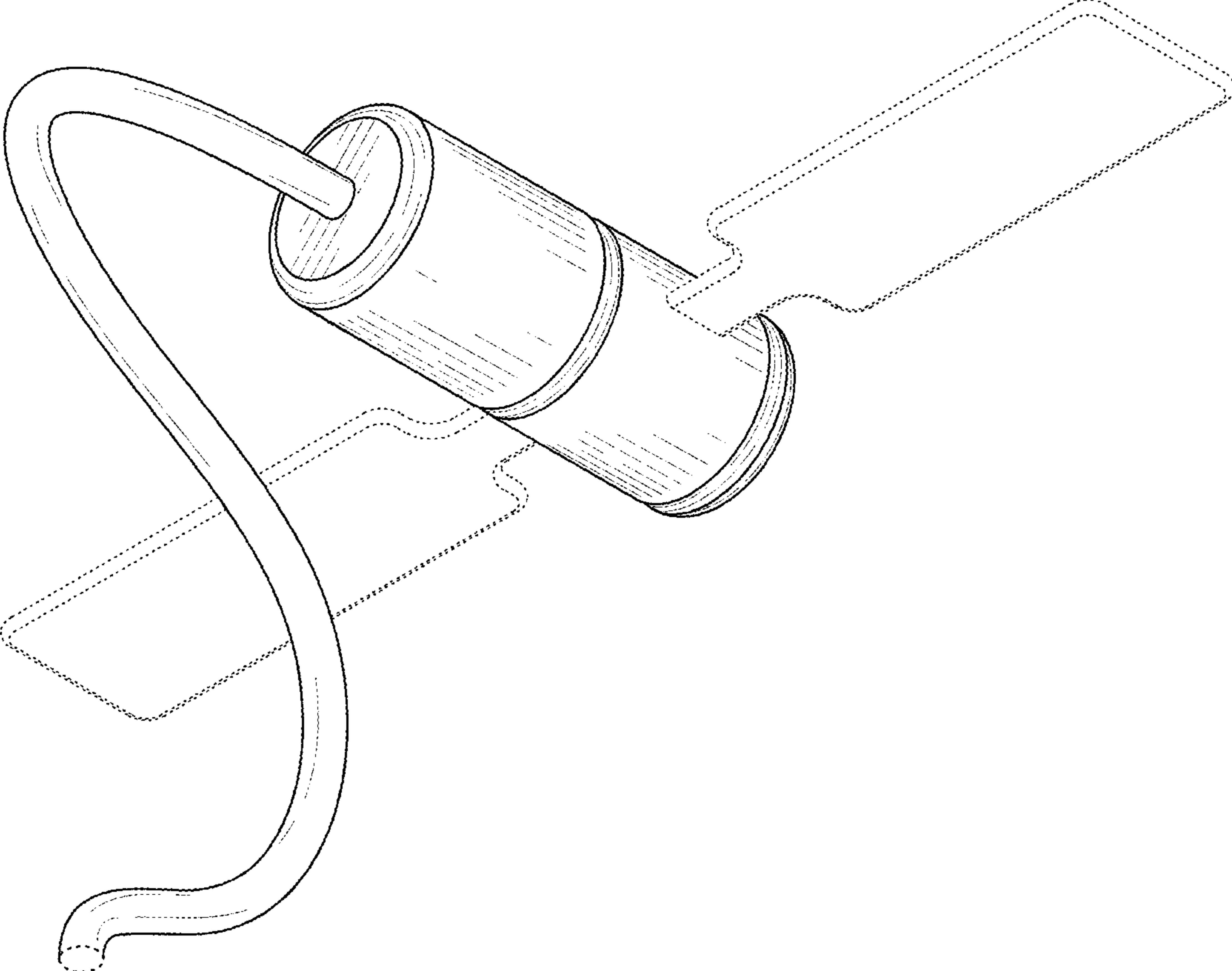


FIG. 2

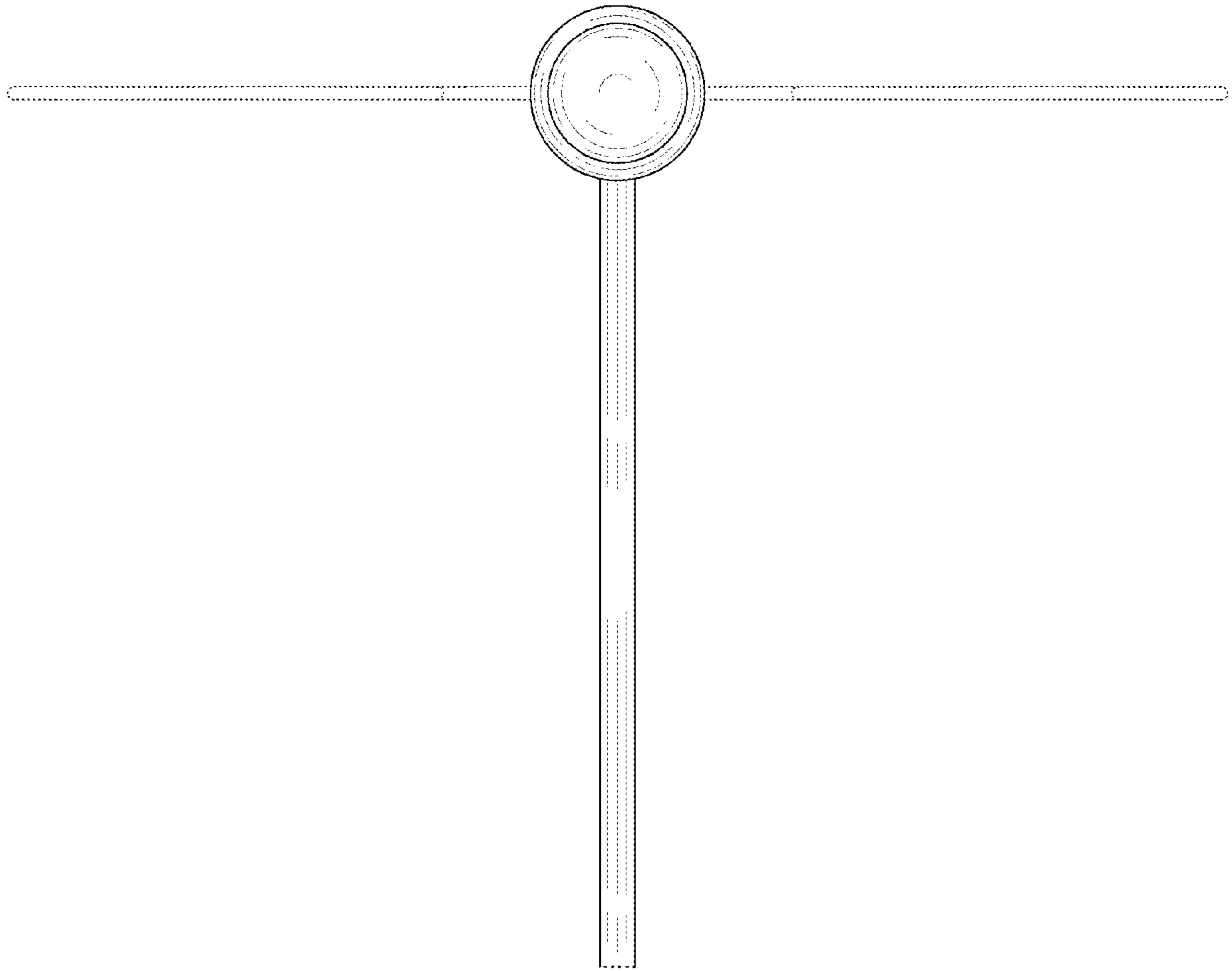


FIG. 3

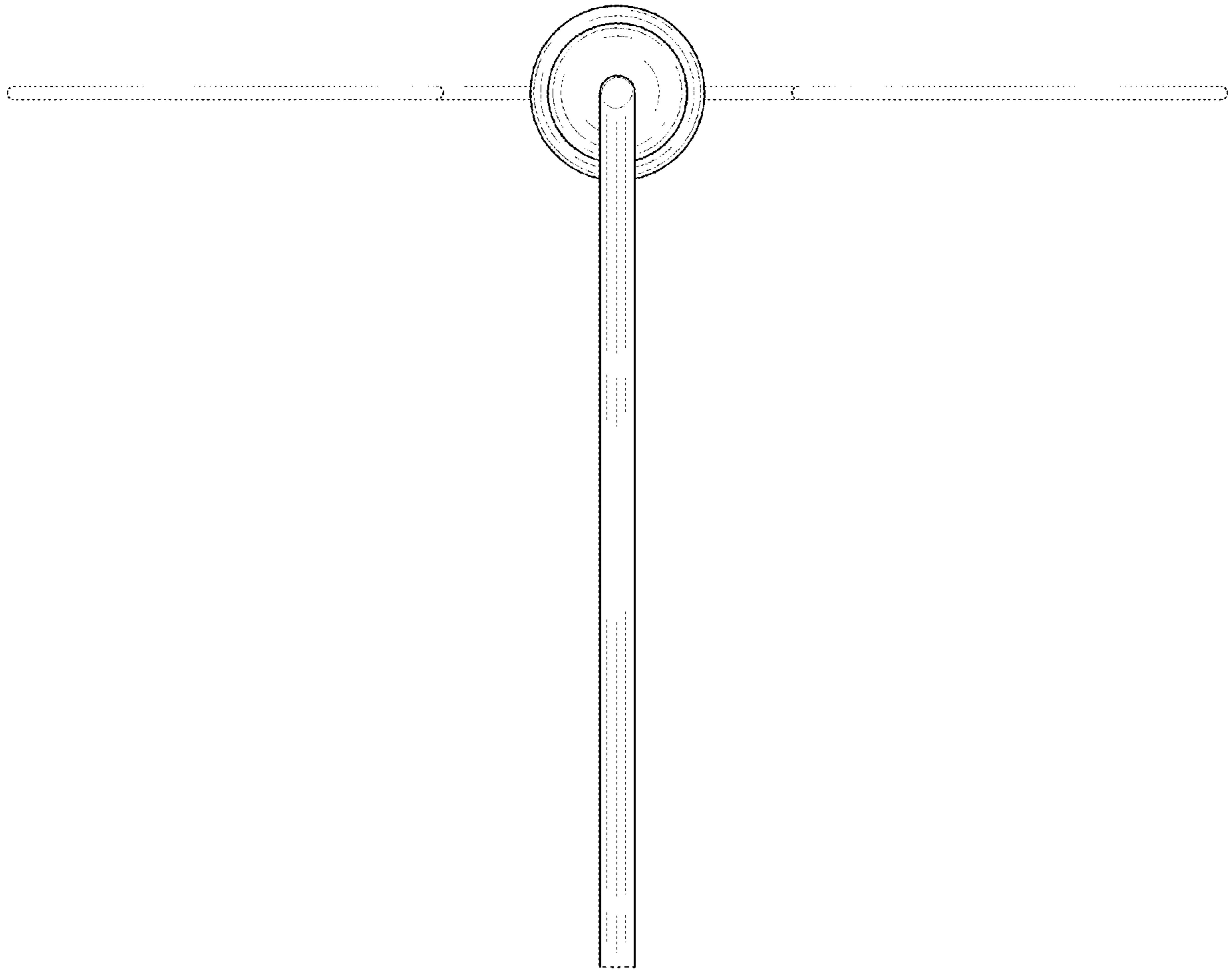


FIG. 4

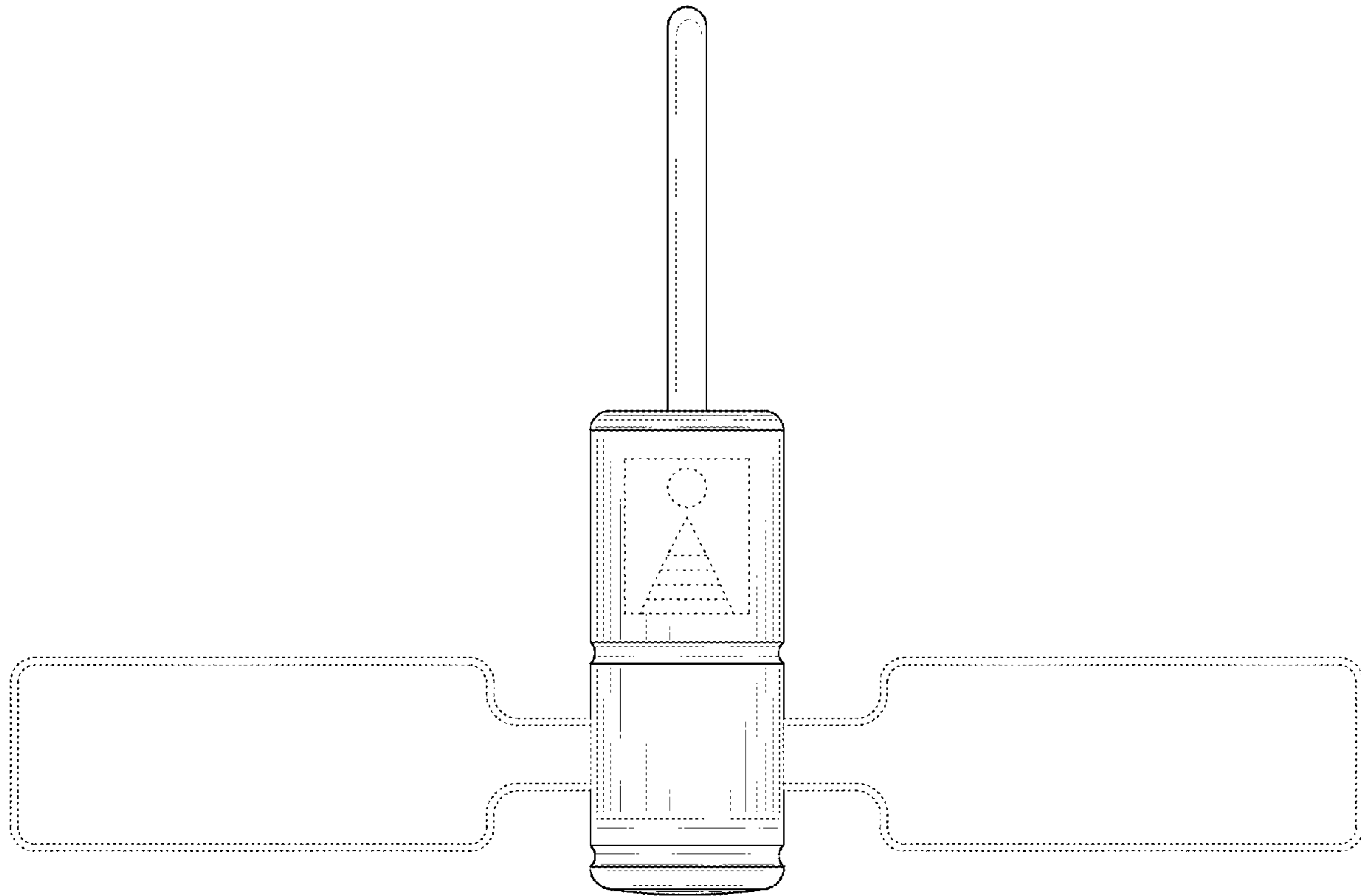


FIG. 5

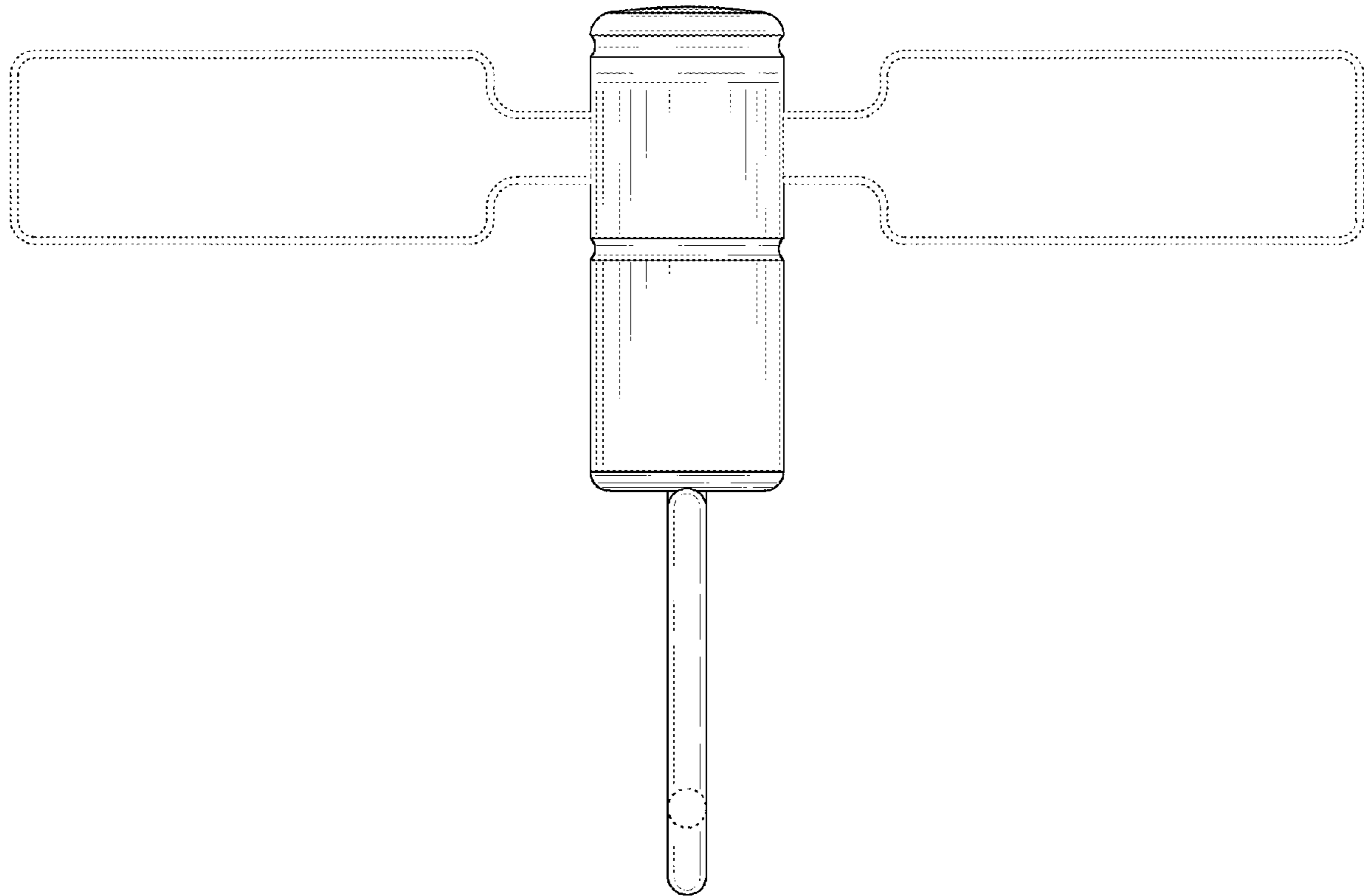


FIG. 6

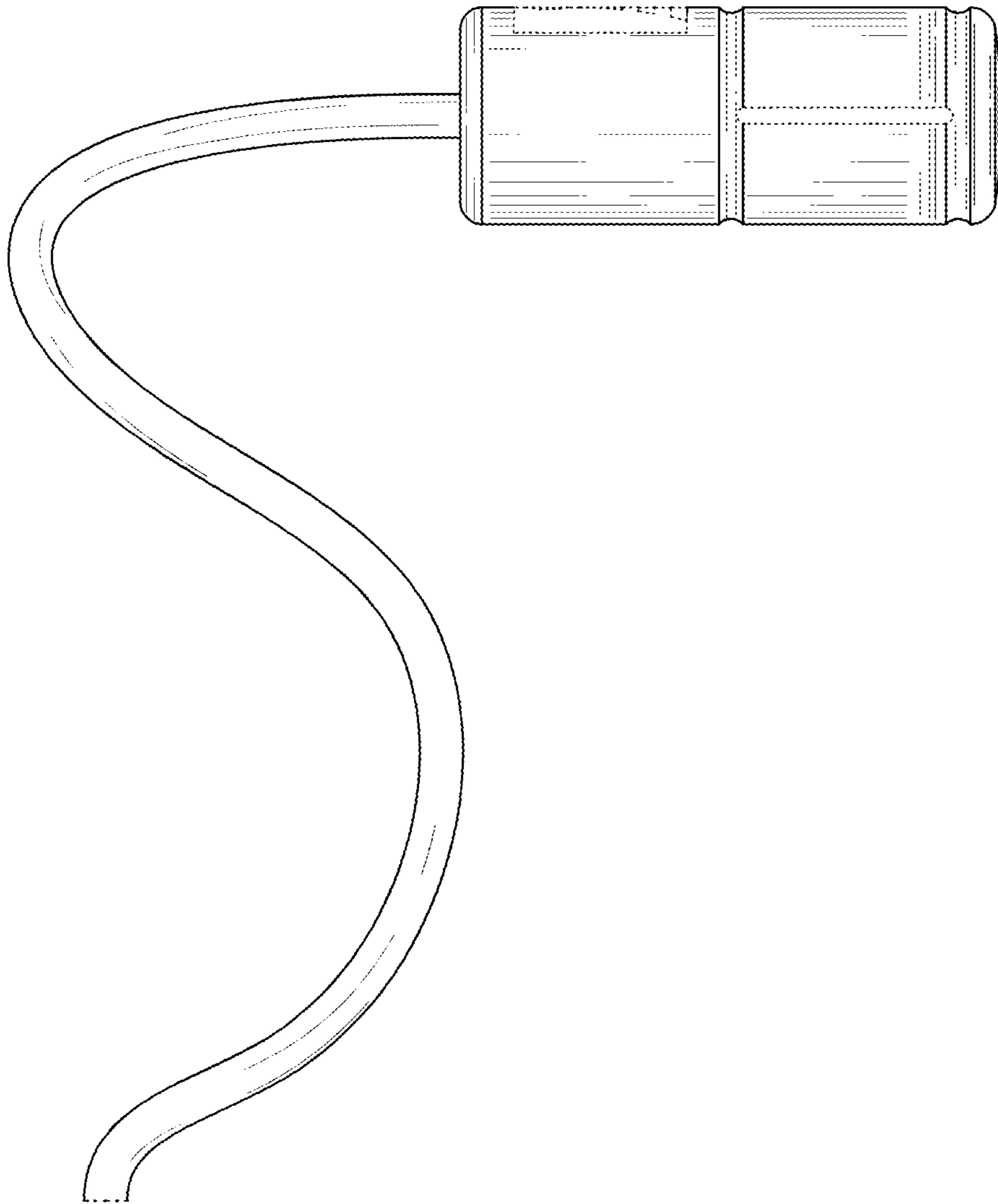


FIG. 7

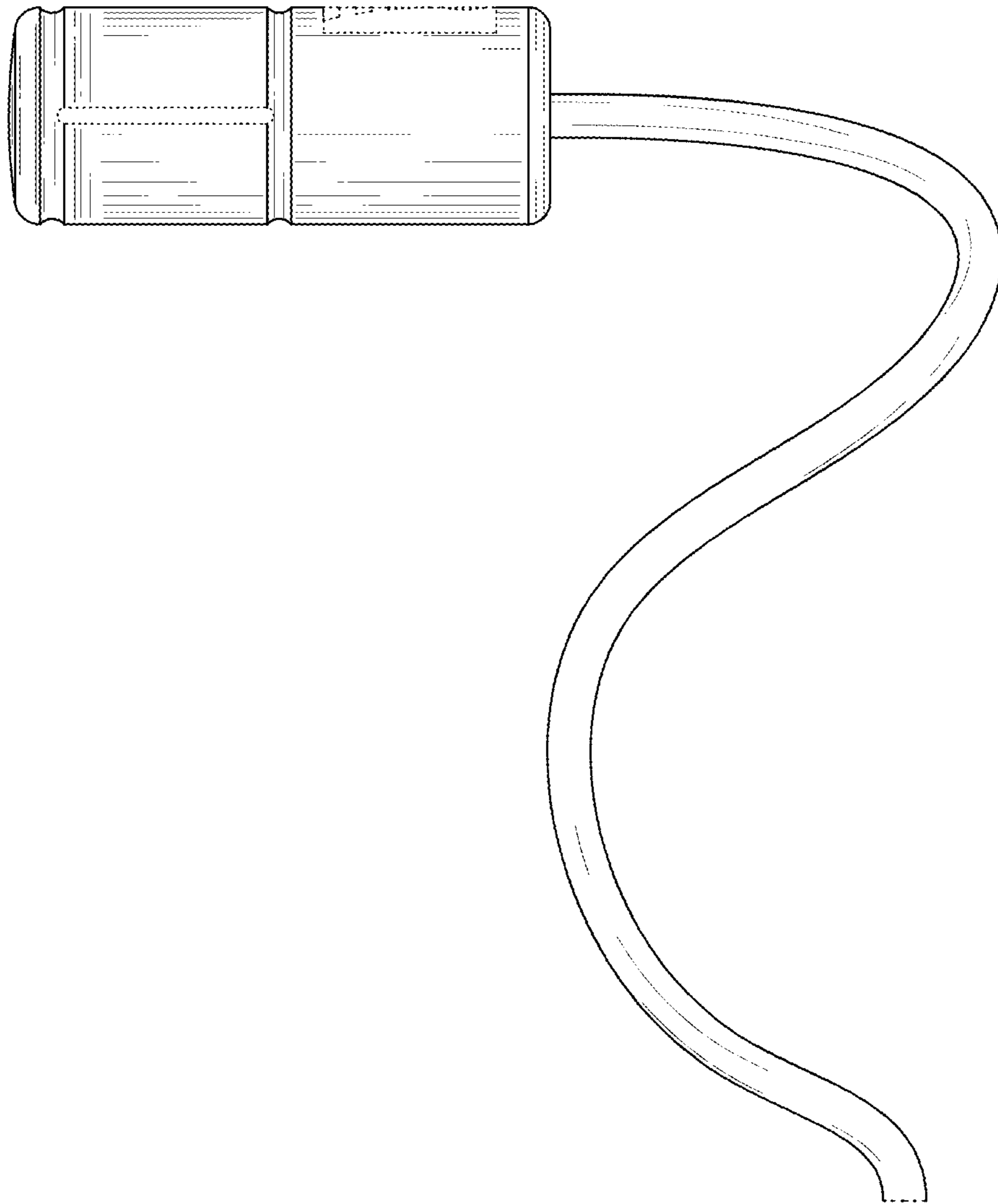


FIG. 8

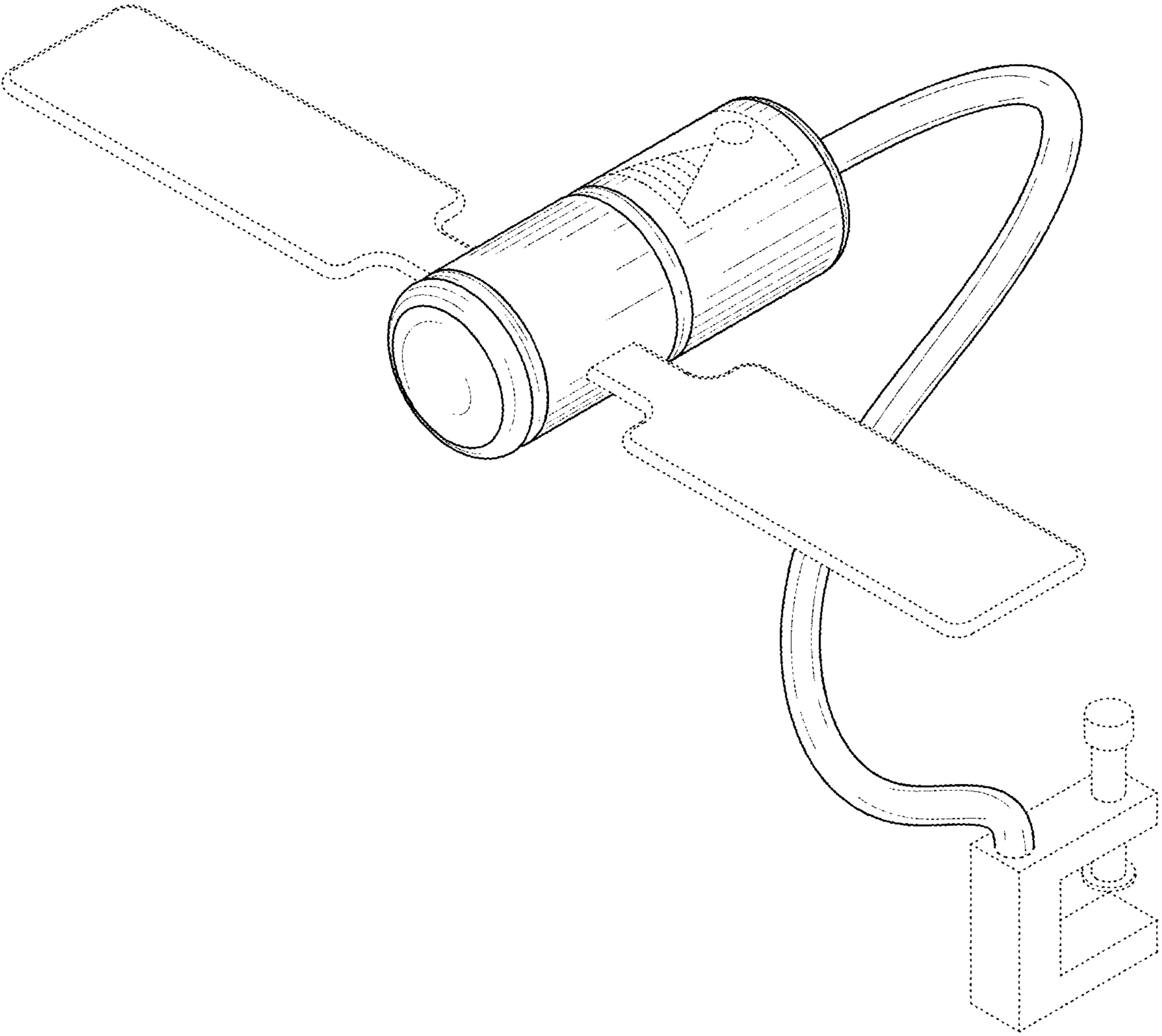


FIG. 9

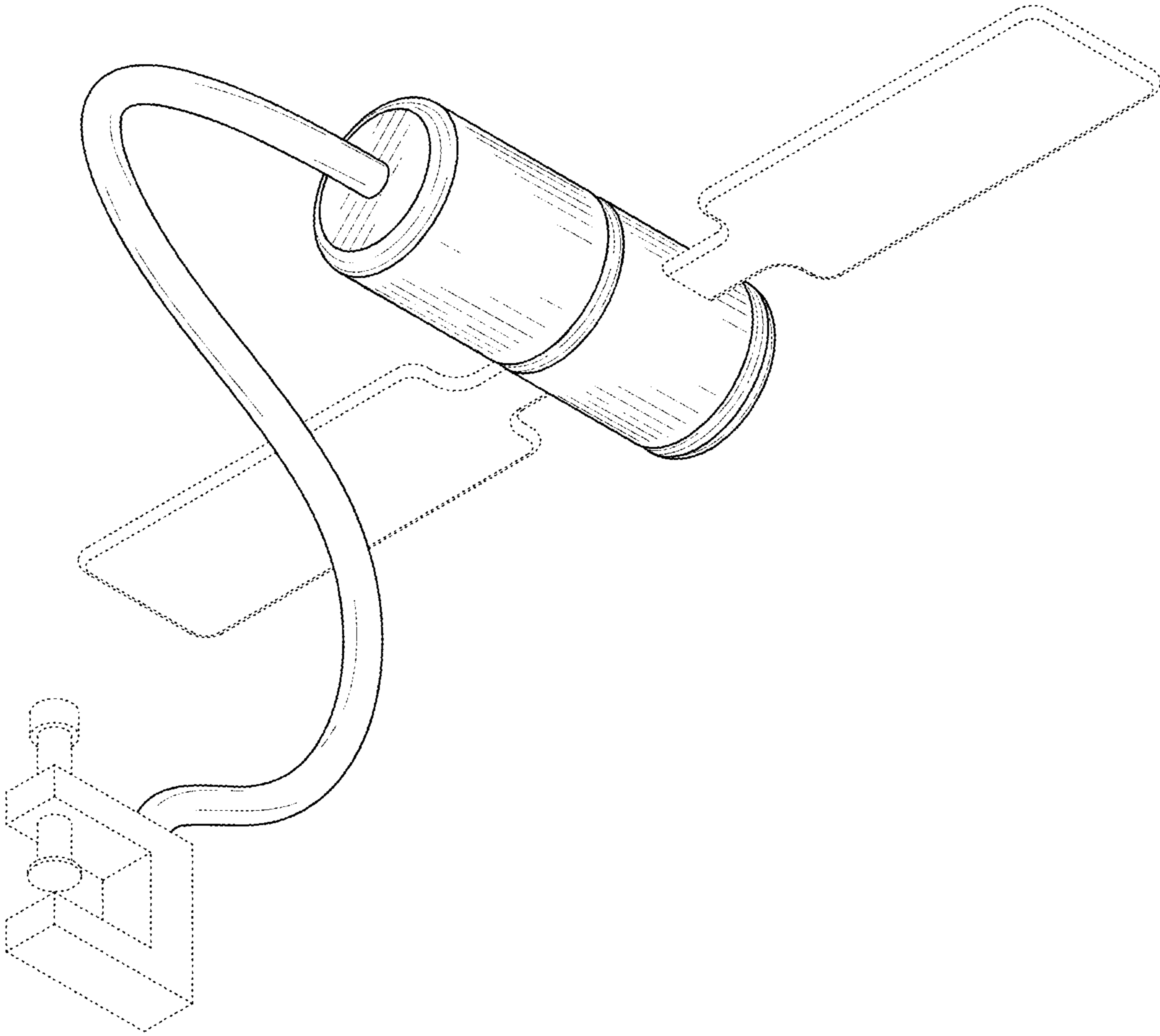


FIG. 10

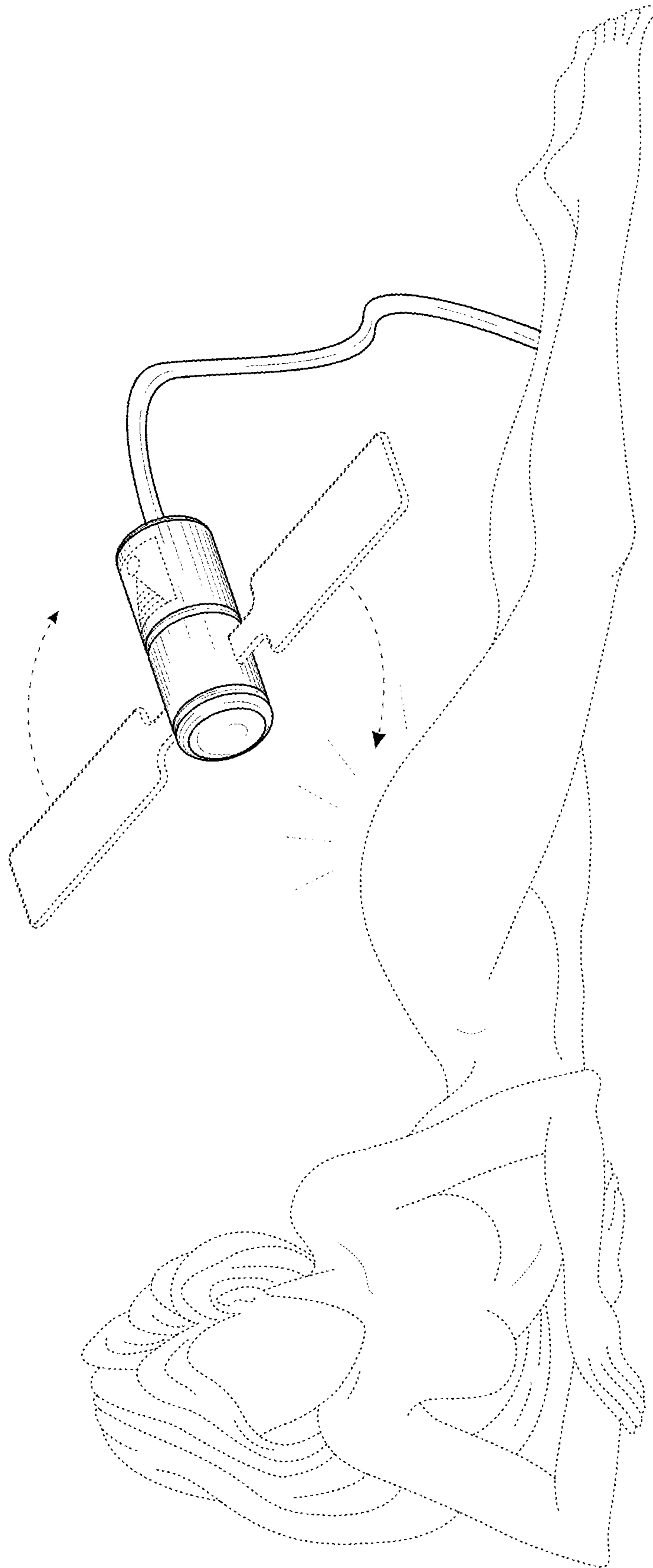


FIG. 11

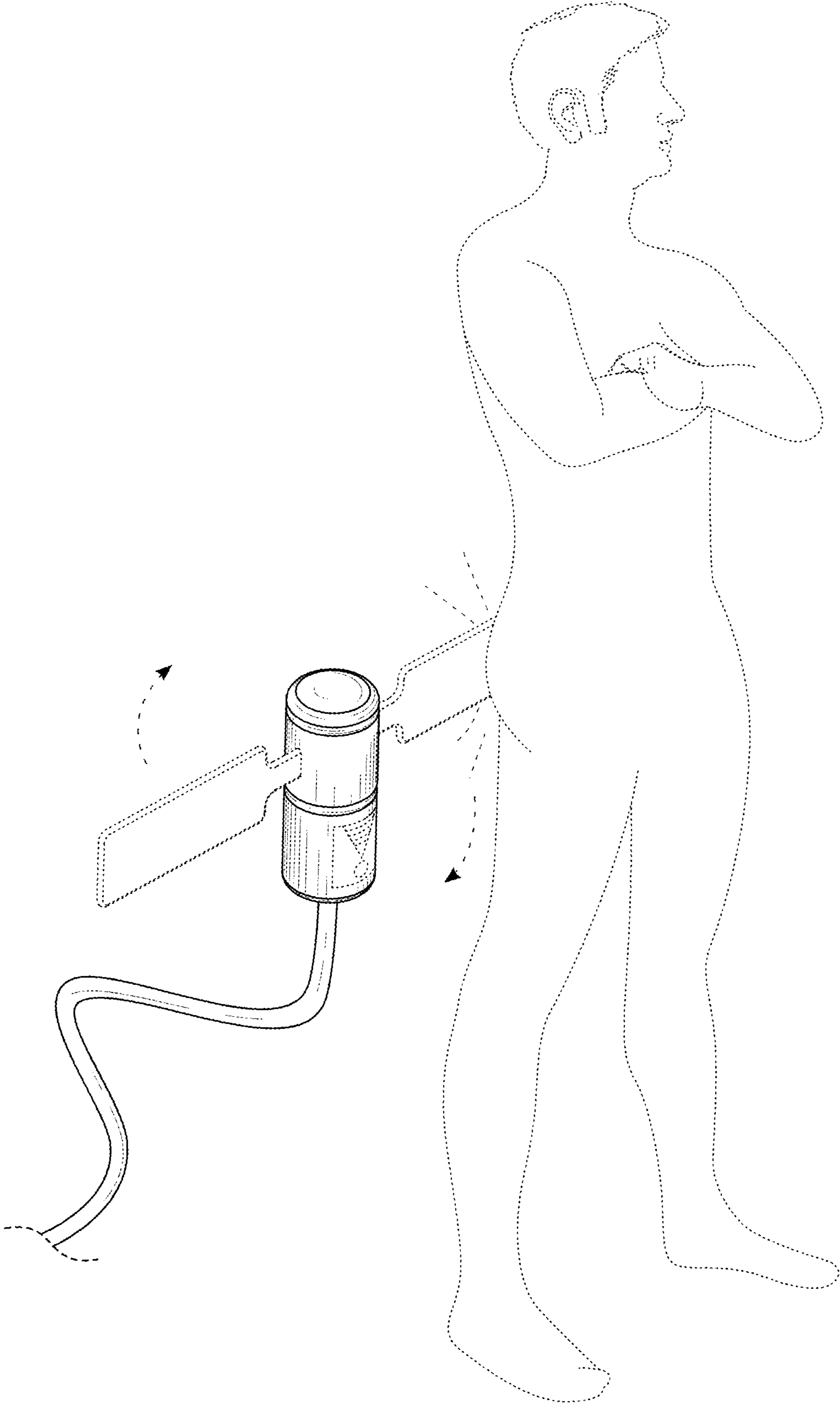


FIG. 12