



US00D979783S

(12) **United States Design Patent** (10) **Patent No.:** **US D979,783 S**
Zhang (45) **Date of Patent:** **** Feb. 28, 2023**

(54) **MASSAGER**

FOREIGN PATENT DOCUMENTS

(71) Applicant: **SHENZHEN DONGJILIAN
MEDICAL TECH CO., LTD.,**
Shenzhen (CN)

CN 305823723 * 6/2020
CN 305830703 * 6/2020

(72) Inventor: **Hong Zhang,** Shenzhen (CN)

(73) Assignee: **SHENZHEN DONGJILIAN
MEDICAL TECH CO., LTD.,**
Shenzhen (CN)

OTHER PUBLICATIONS

“VYBE: Premium Muscle Massage Gun for Athletes”. Found online Jul. 13, 2022 at Amazon.com. Reference dated May 17, 2019. Retrieved from <https://www.amazon.com/Percussion-Massage-Gun-Deep-Tissue-Muscle-Massager-Gun-For-Athletes/dp/B07S2FNQL7/>.*

(**) Term: **15 Years**

(Continued)

(21) Appl. No.: **29/745,608**

Primary Examiner — Kendra Leslie Hamilton
Assistant Examiner — Elizabeth S Struble

(22) Filed: **Aug. 7, 2020**

(57) **CLAIM**

(30) **Foreign Application Priority Data**

The ornamental design for a massager, as shown and described.

Jun. 29, 2020 (CN) 202030339592.6

DESCRIPTION

(51) **LOC (14) Cl.** **28-03**

(52) **U.S. Cl.**
USPC **D24/215**

(58) **Field of Classification Search**
USPC D24/200, 211, 212, 213, 214, 215;
D28/12, 13; D8/14.1, 61
CPC A61H 7/004; A61H 15/0092; A61H 15/00;
A61H 23/00; A61H 23/002; A61H 23/006
See application file for complete search history.

FIG. 1 is a perspective view of a massager showing my new design;
FIG. 2 is another perspective view thereof;
FIG. 3 is a front elevational view thereof;
FIG. 4 is a rear elevational view thereof;
FIG. 5 is a left side elevational view thereof;
FIG. 6 is a right side elevational view thereof;
FIG. 7 is a top plan view thereof;
FIG. 8 is a bottom plan view thereof;
FIG. 9 is a perspective view of the massager where the massager is in a first configuration of use;
FIG. 10 is a perspective view of the massager where the massager is in a second configuration of use;
FIG. 11 is a perspective view of the massager where the massager is in a third configuration of use; and,
FIG. 12 is a perspective view of the massager where the massager is in a fourth configuration of use.
The broken lines in the drawings depict portions of the massager that form no part of the claimed design.

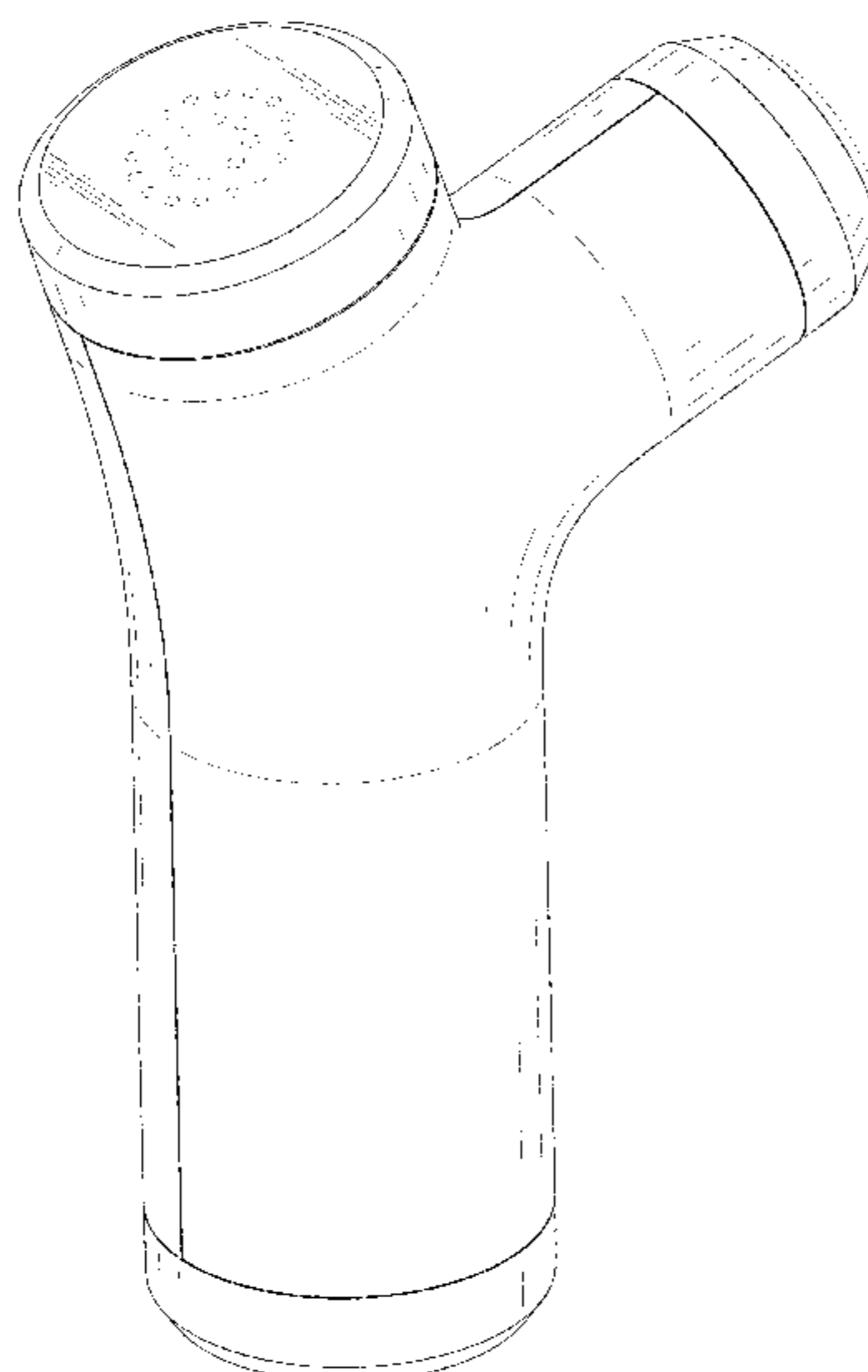
(56) **References Cited**

U.S. PATENT DOCUMENTS

D403,075 S * 12/1998 Lie D24/215
D478,385 S * 8/2003 Dirks D24/215
D855,822 S * 8/2019 Marton D24/215
D873,432 S * 1/2020 Duan D24/214
D874,015 S * 1/2020 Marton D24/215
D875,961 S * 2/2020 Li D24/211
D884,207 S * 5/2020 Ma D24/215

(Continued)

1 Claim, 12 Drawing Sheets



(56)

References Cited

U.S. PATENT DOCUMENTS

D886,317 S * 6/2020 Marton D24/215
2010/0274162 A1 * 10/2010 Evans A61H 15/0092
601/46

OTHER PUBLICATIONS

“NoCry: Professional Deep Tissue and Muscle Massage Gun”.
Found online Jul. 13, 2022 at Amazon.com. Reference dated Jun. 7,
2019. Retrieved from <https://www.amazon.com/dp/B07SQCMHMM/>.*

“Ekrin Athletics: Bantam Mini Massage Gun”. Found online Jul. 13,
2022. Reference dated Oct. 25, 2019. Retrieved from <https://www.amazon.com/Ekrin-Athletics-Bantam-Mini-Massage/dp/B08M8P7ZVD/>.*

“Ekrin Athletics: B37 Massage Gun”. Found online Jul. 13, 2022.
Reference dated Oct. 25, 2019. Retrieved from <https://www.amazon.com/Ekrin-Massage-Sore-Muscles-Recovery/dp/B07ZLN4TKX/>.*

* cited by examiner

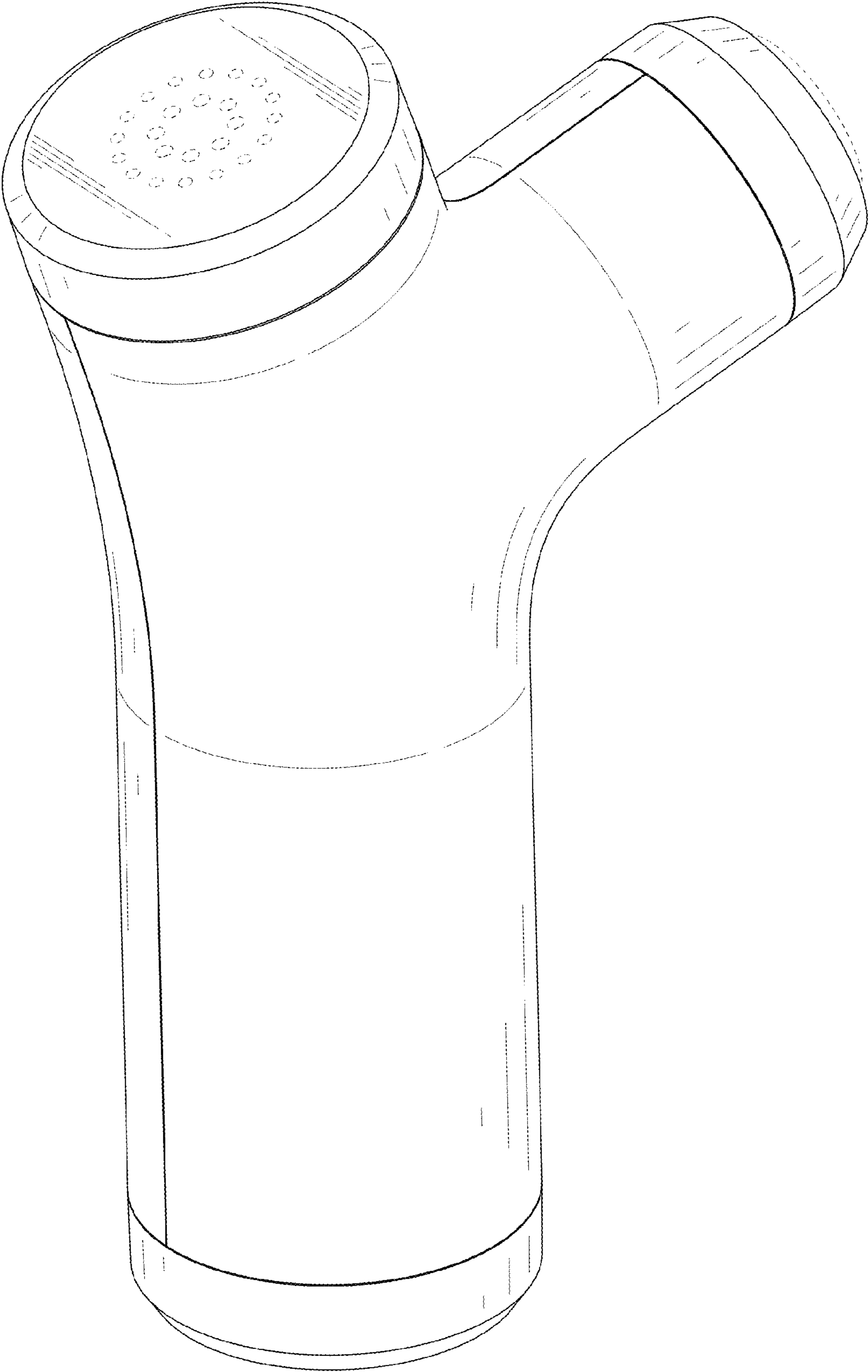


FIG. 1

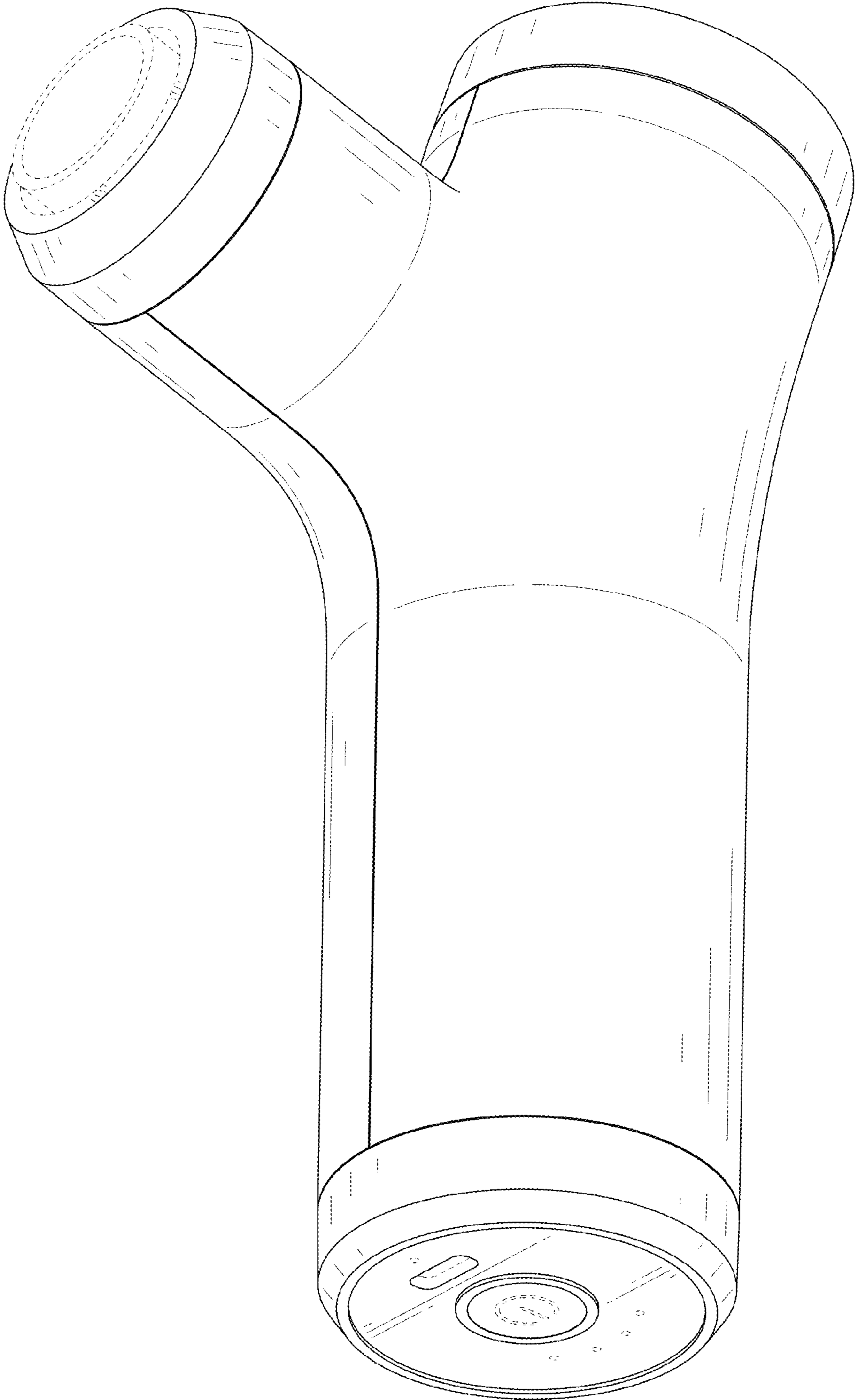


FIG. 2

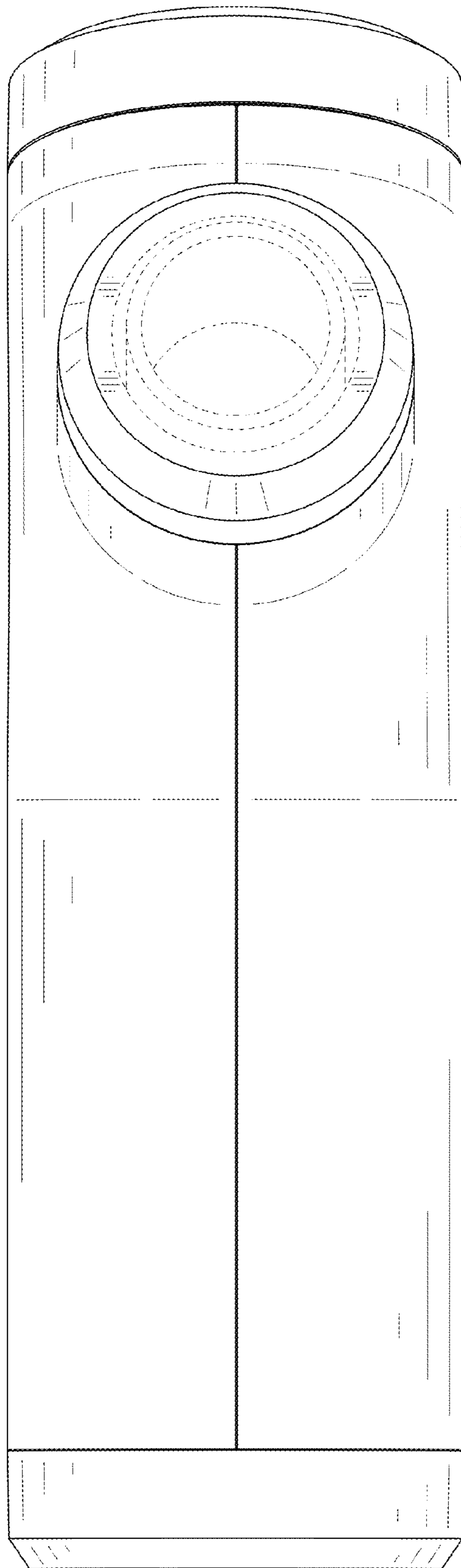


FIG. 3

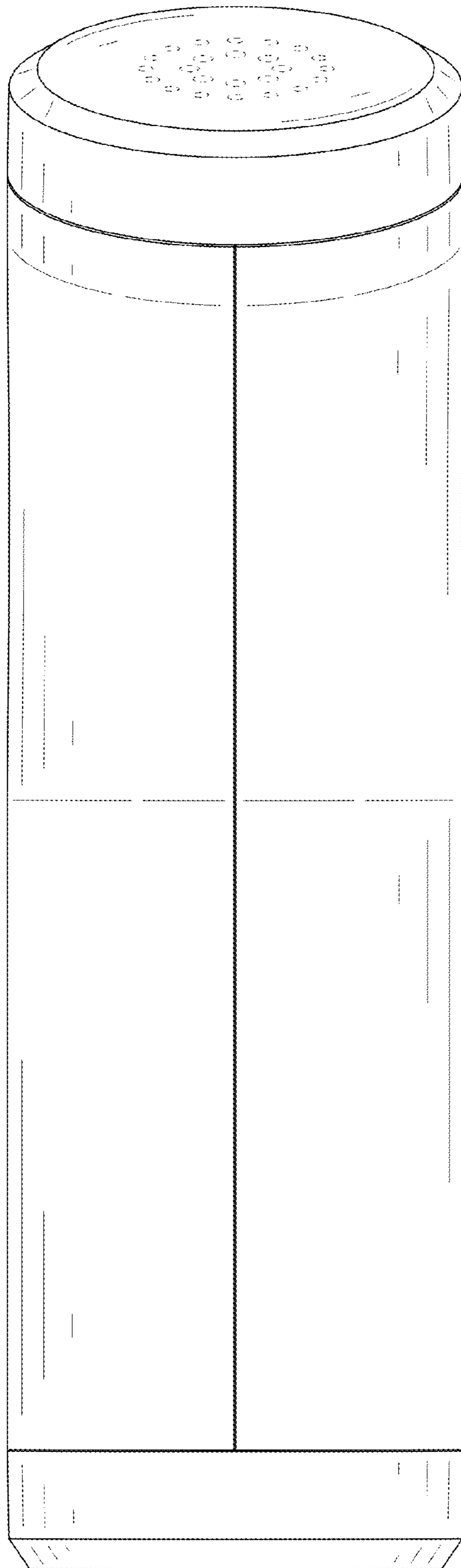


FIG. 4

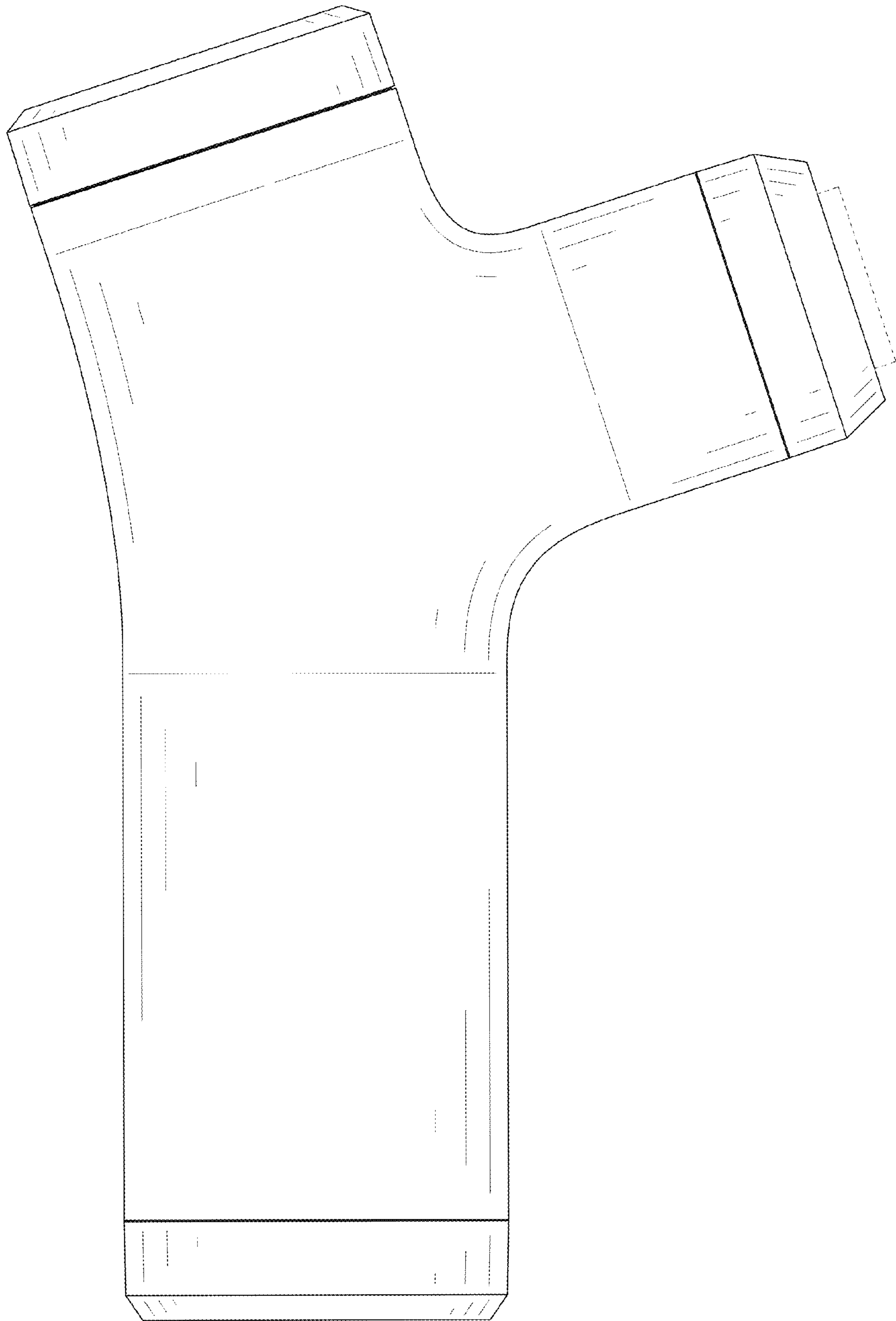


FIG. 5

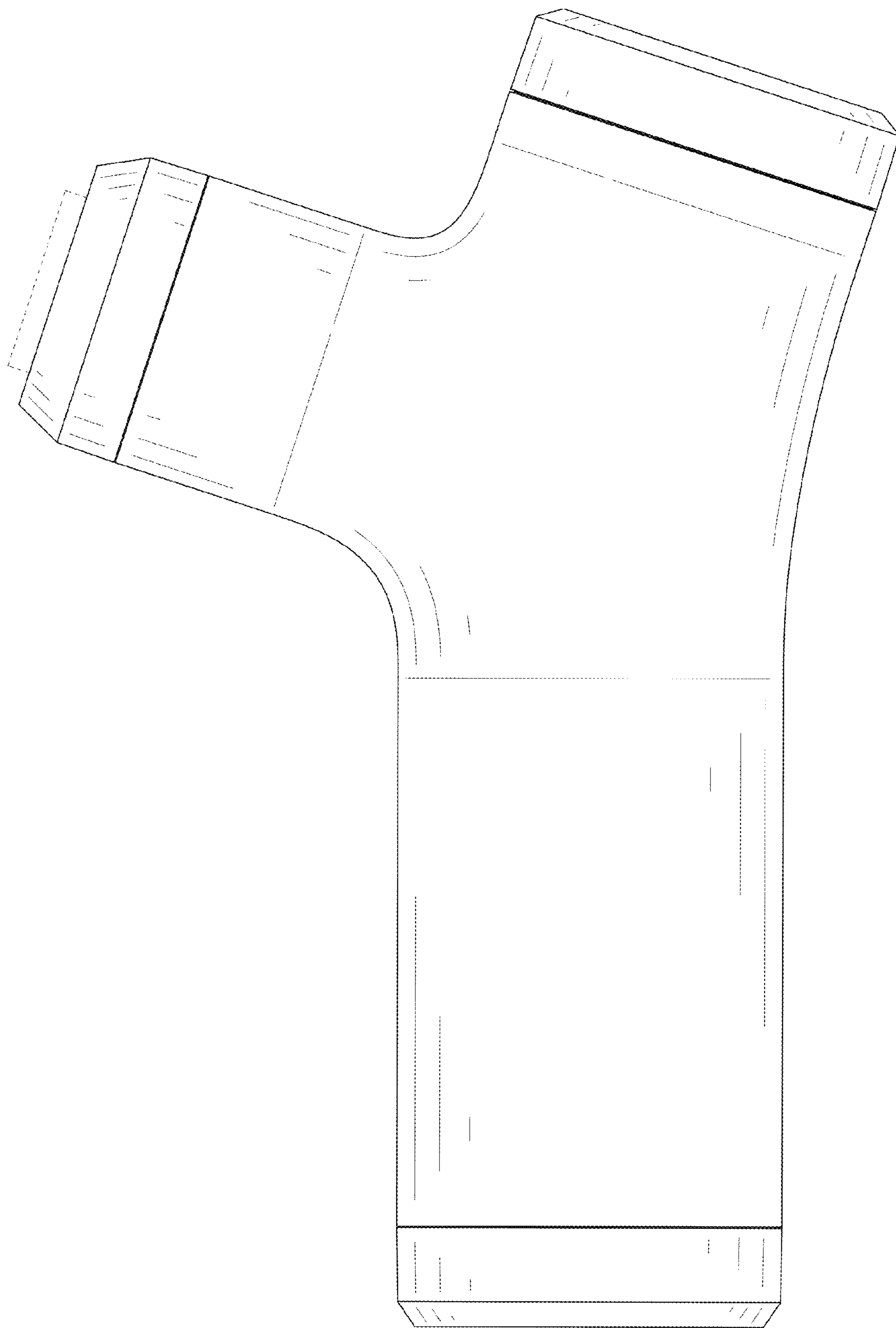


FIG. 6

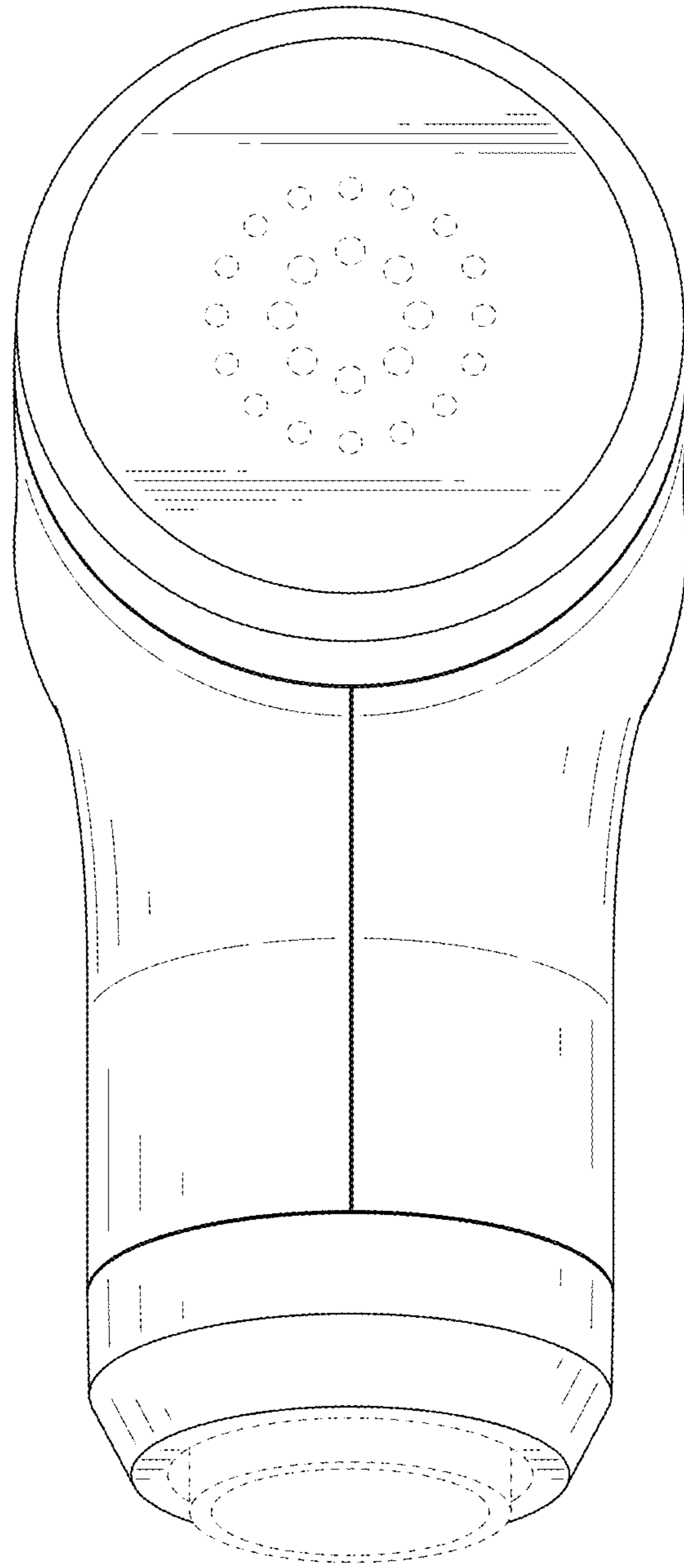


FIG. 7

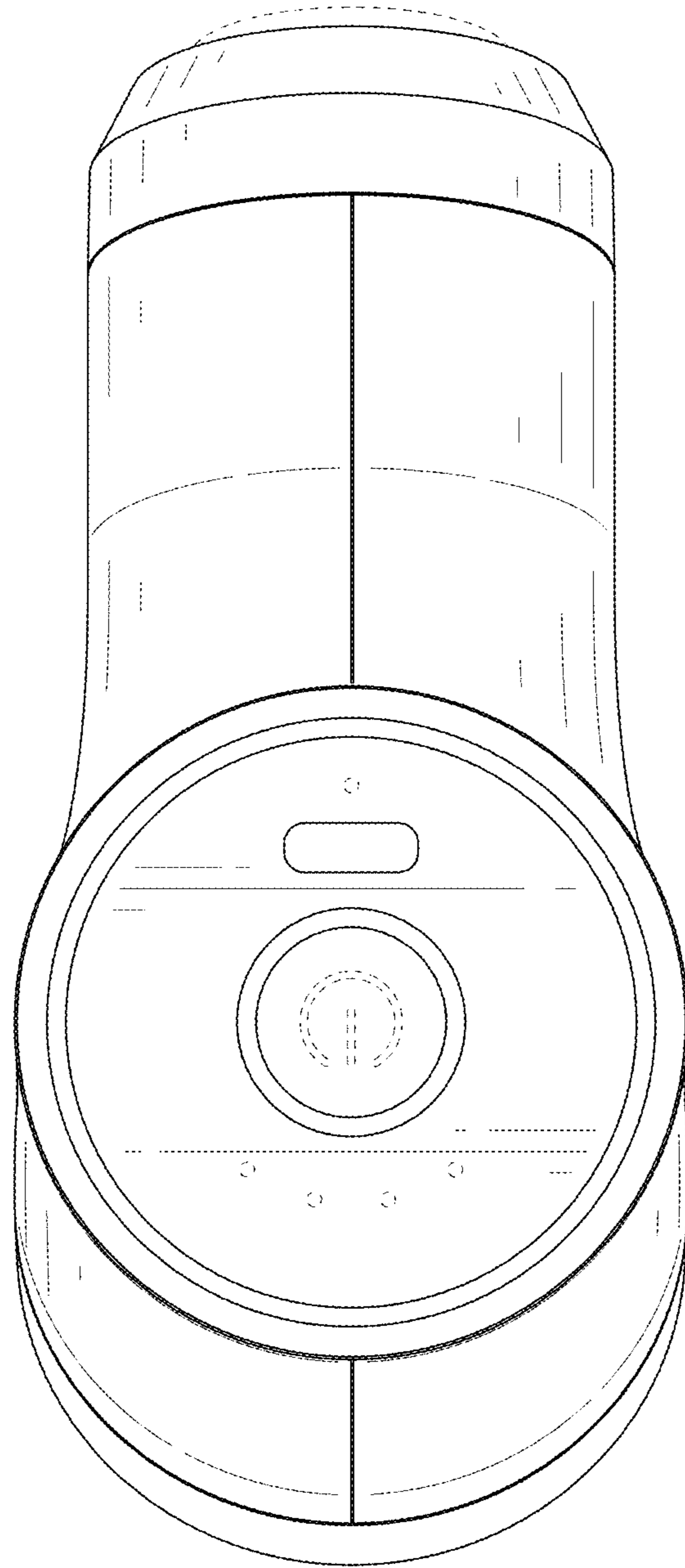


FIG. 8

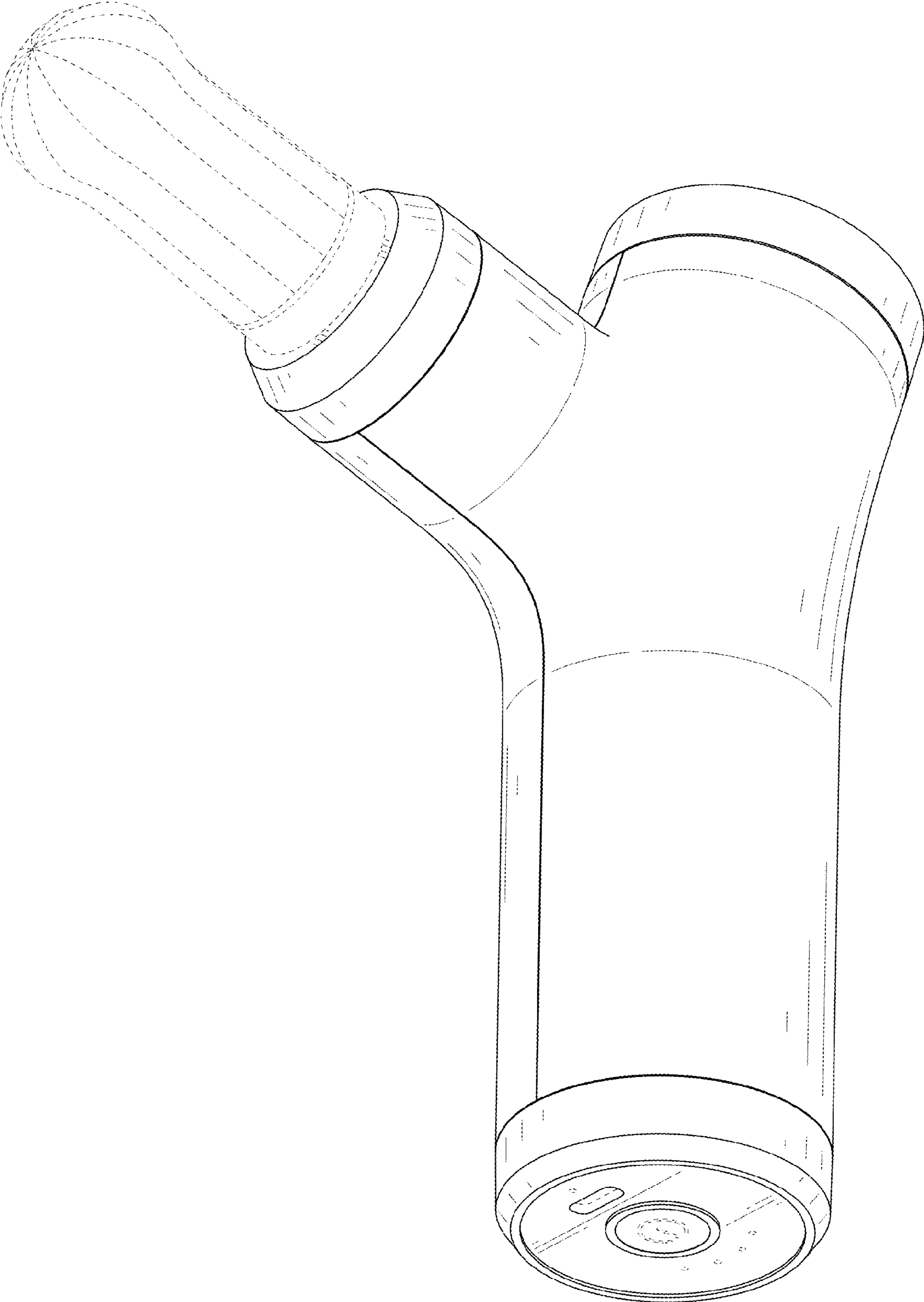


FIG. 9

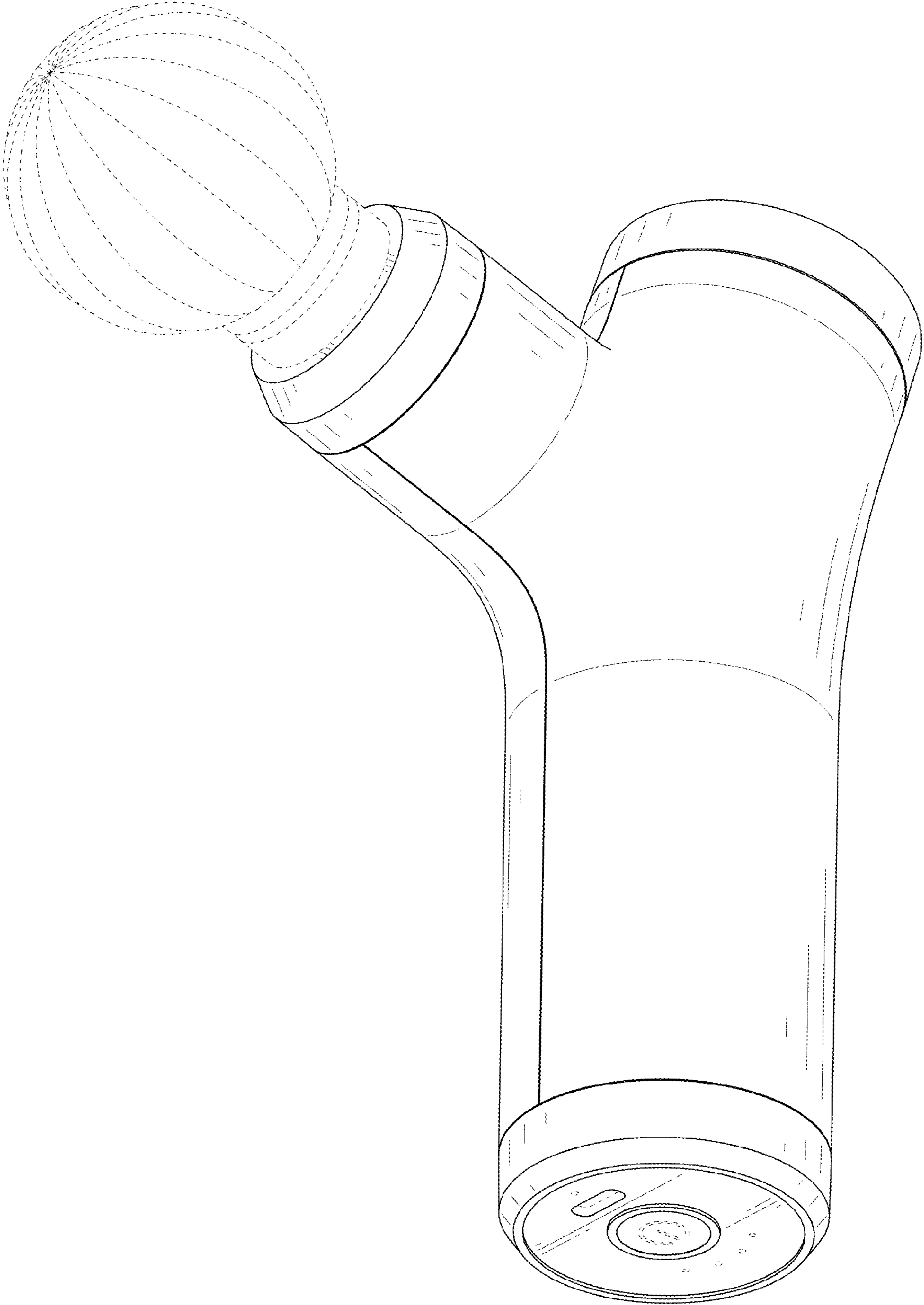


FIG. 10

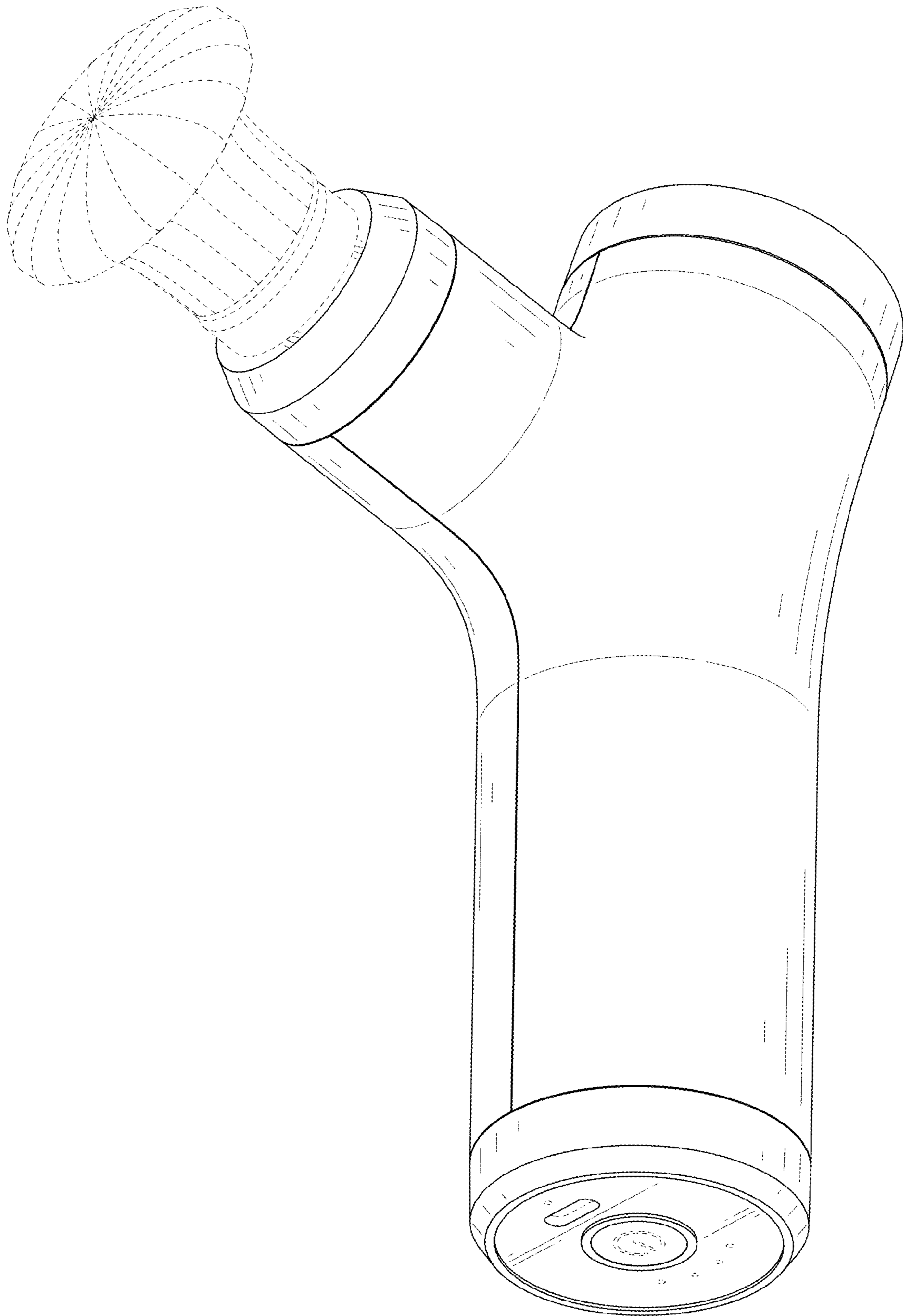


FIG. 11

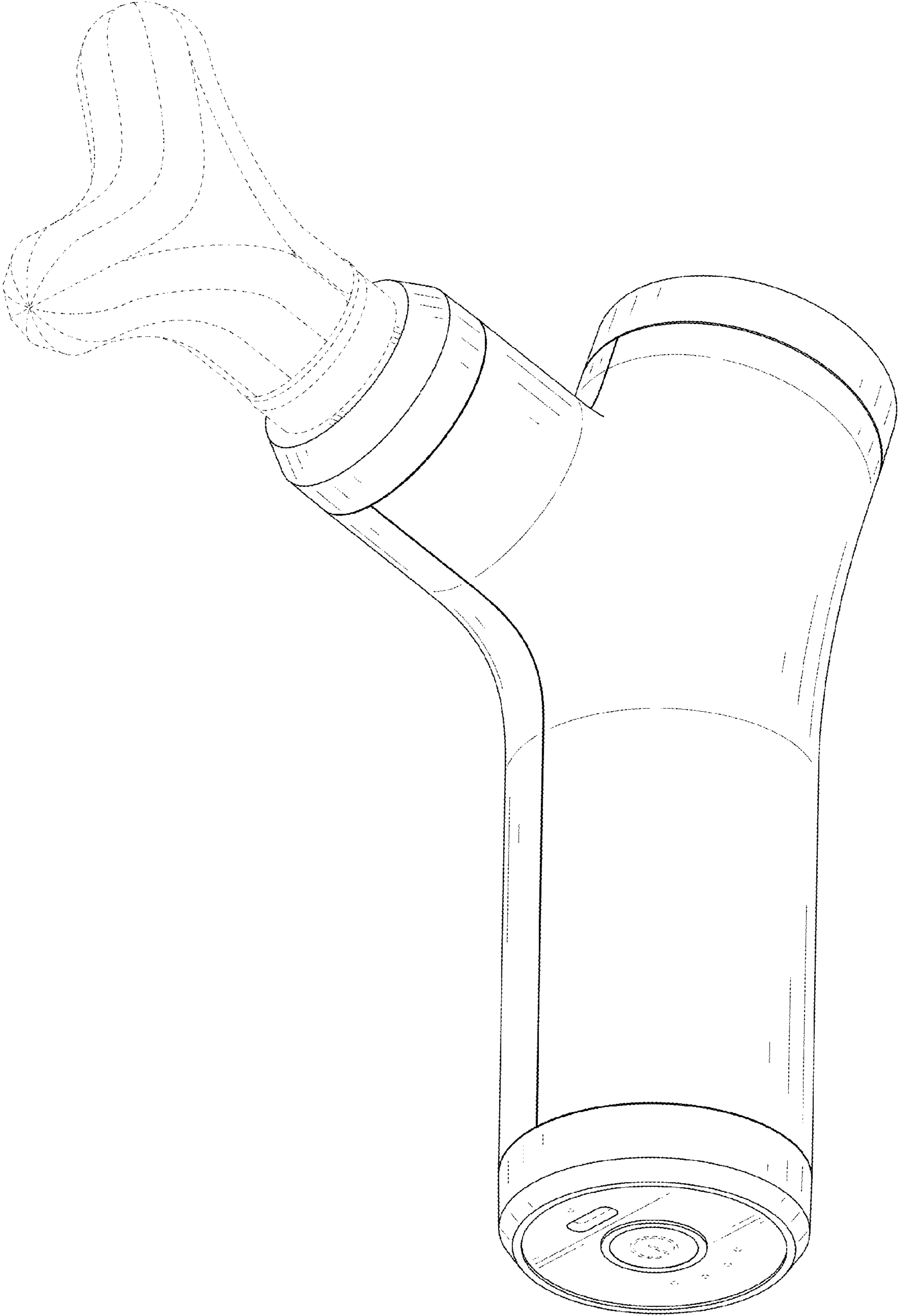


FIG. 12