



US00D979782S

(12) **United States Design Patent** (10) **Patent No.:** **US D979,782 S**
Sung et al. (45) **Date of Patent:** **** Feb. 28, 2023**

(54) **COSMETIC SKIN CARE DEVICE**
(71) Applicant: **Artistic & Co., Ltd.**, Aichi (JP)
(72) Inventors: **Minjae Sung**, Hwaseong-si (KR); **Jin Park**, Suwon-si (KR); **Jeongseon Park**, Yongin-si (KR); **Man Jin Oh**, Suwon-si (KR); **Dong Shin Jo**, Hwaseong-si (KR)
(73) Assignee: **ARTISTIC & CO., GLOBAL CO., LTD**, Gifu (JP)

D322,676 S 12/1991 Chambers
D545,433 S * 6/2007 Messerly D24/186
D656,620 S 3/2012 Altshuler et al.
D682,433 S * 5/2013 Shinohara D24/186
D699,359 S * 2/2014 Lindekugel D24/186
D778,731 S 2/2017 Sutcliffe
D791,960 S 7/2017 Guanying
D797,951 S 9/2017 Miklavc
D822,841 S 7/2018 Cheng
D824,528 S 7/2018 Yang
D828,925 S 9/2018 Levi
D855,194 S 7/2019 Kymm et al.

(Continued)

(**) Term: **15 Years**

OTHER PUBLICATIONS

(21) Appl. No.: **29/790,815**

The Strategist. The Best Skin-Care Tech Devices for Every Beauty Concern, According to Dermatologists. Sep. 14, 2021. <https://nymag.com/strategist/article/best-skincare-tech-devices.html> (Year: 2021).*

(22) Filed: **Dec. 16, 2021**

(Continued)

Related U.S. Application Data

(62) Division of application No. 35/510,468, filed on Mar. 30, 2020 (U.S. filing date under 35 U.S.C. 384), and having an international filing date of Mar. 30, 2020, now Pat. No. Des. 959,687.

Primary Examiner — Darcey E Gottschalk

(74) *Attorney, Agent, or Firm* — Buchanan Ingersoll & Rooney PC

(30) **Foreign Application Priority Data**

Sep. 29, 2019 (JP) 2019-021783
Sep. 29, 2019 (JP) 2019-021784

(57) **CLAIM**

The ornamental design for a cosmetic skin care device, as shown and described.

(51) **LOC (14) Cl.** **28-03**

(52) **U.S. Cl.**
USPC **D24/214**

DESCRIPTION

(58) **Field of Classification Search**
USPC D24/107, 186–188, 200, 206, 209–215;
D9/723, 726–729; D28/63, 64.4, 64.6, 99
CPC A61F 7/00; A61F 5/00; A61F 5/06; A61N
2005/0659
See application file for complete search history.

FIG. 1 is a perspective view of a cosmetic skin care device showing my new design;
FIG. 2 is a front view thereof;
FIG. 3 is a back view thereof;
FIG. 4 is a top view thereof;
FIG. 5 is a bottom view thereof;
FIG. 6 is a left view thereof; and,
FIG. 7 is a right view thereof.

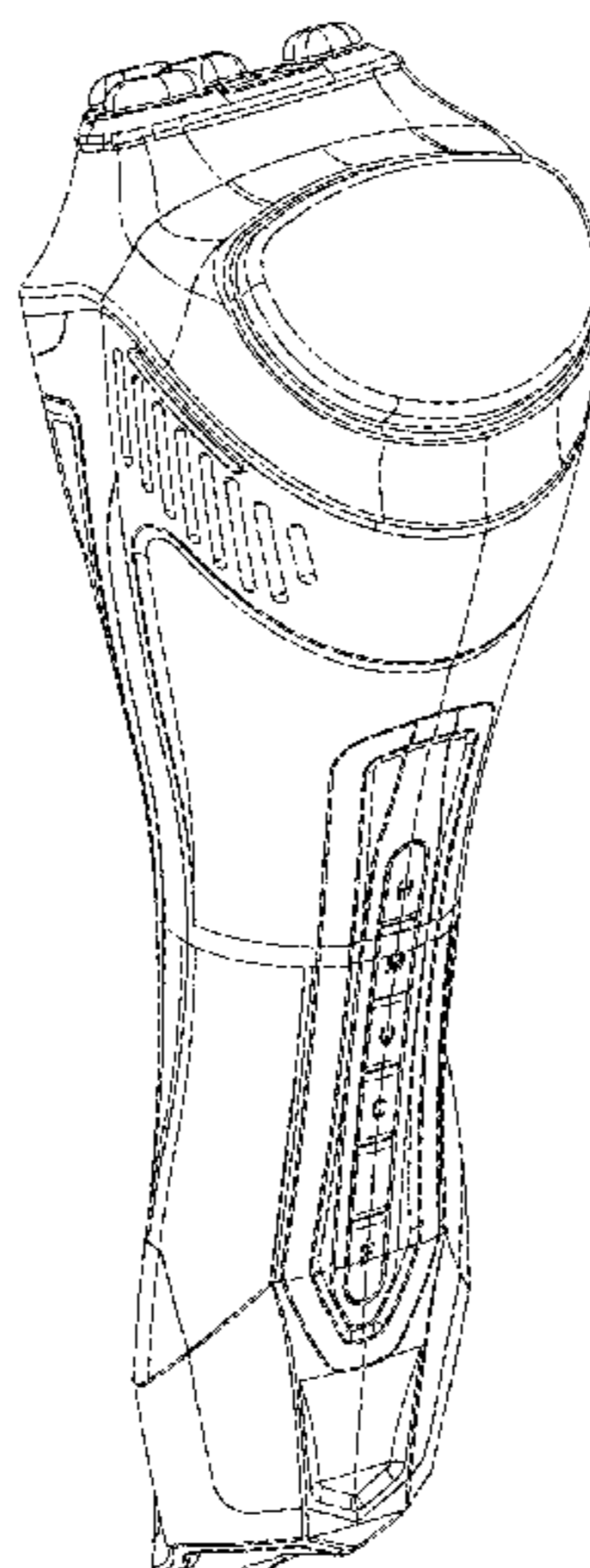
The broken lines in the drawings are for illustrative purposes only and form no part of the claimed design.

(56) **References Cited**

U.S. PATENT DOCUMENTS

D204,921 S 5/1966 McNair
D294,864 S 3/1988 Gialanella

1 Claim, 7 Drawing Sheets



(56)

References Cited

U.S. PATENT DOCUMENTS

D884,203	S	5/2020	Segev	
D891,624	S *	7/2020	Nikoozadeh	D24/186
D901,030	S	11/2020	Yoon	
D901,774	S	11/2020	Liu	
D915,605	S *	4/2021	Kobayashi	D24/187
D925,746	S	7/2021	Tseng	
D935,635	S *	11/2021	Wang	D24/214
D939,833	S *	1/2022	Miller	D4/100
D952,166	S *	5/2022	Peluso	D24/200
D958,384	S *	7/2022	Lin	D24/214
D959,687	S *	8/2022	Sung	D24/214
2007/0038206	A1	2/2007	Altshuler et al.	
2013/0331913	A1	12/2013	Levi et al.	

OTHER PUBLICATIONS

Alibaba. 2020 Hot selling home use Zeus rf EMS LED vibration Multifunction Beauty Facial Machine For Skin Care Product. No

date specified. https://www.alibaba.com/product-detail/2020-Hot-selling-home-use-Zeus_62432191237.html (Year: 0).*

Amazon. Dr. Arrivo The Zeus (No Swarovski Stones). May 29, 2018. <https://www.amazon.com/Dr-Arrivo-Zeus-Swarovski-Stones/dp/B07BHT5ZLP> (Year: 2018).*

Amazon—Dr. Arrivo Zeusll Luxury Skin Care Tool, the Vzusa Womens Ladies Gift Present, Made in Japan (Shiny Red). No date specified. https://www.amazon.com/dp/B08ZY6DMK1/ref=emc_b_5_t?th=1 (Year: 0).

Oh Beauty—Artistic & Co. New Generation of Home Devices from Japan, Jun. 15, 2021 https://ohbeautydirect.com/artistic-and-co-new-generation-of-home-devices-from-Japan/utm_source=rss&utm_medium=rss&utm_campaign=artistic-and-co-new-generation-of-home-devices-from-Japan (Year: 2021).

Youtube—J Select HK—[J Select] Artistic & CO Dr. Arrivo The Zeus. Jul. 10, 2019; <https://www.youtube.com/watch?v=foVP4hFUjWA> (Year: 2019).

* cited by examiner

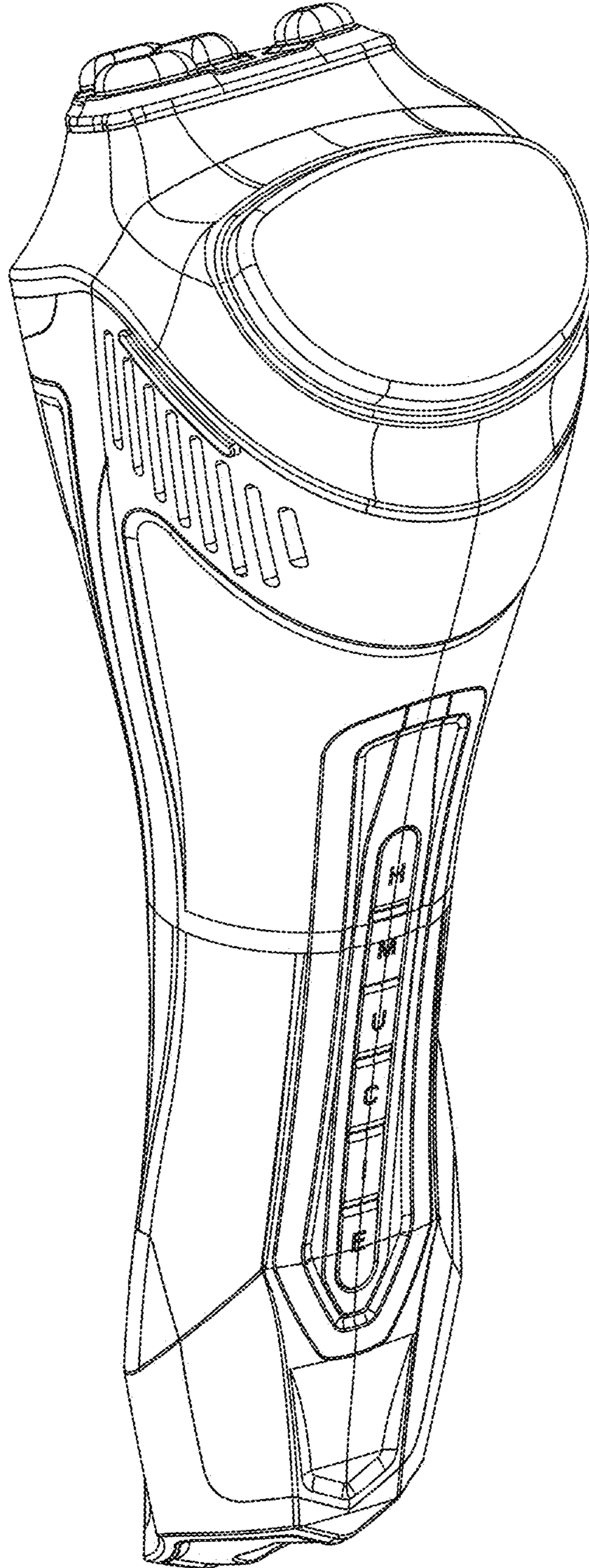


FIG. 1

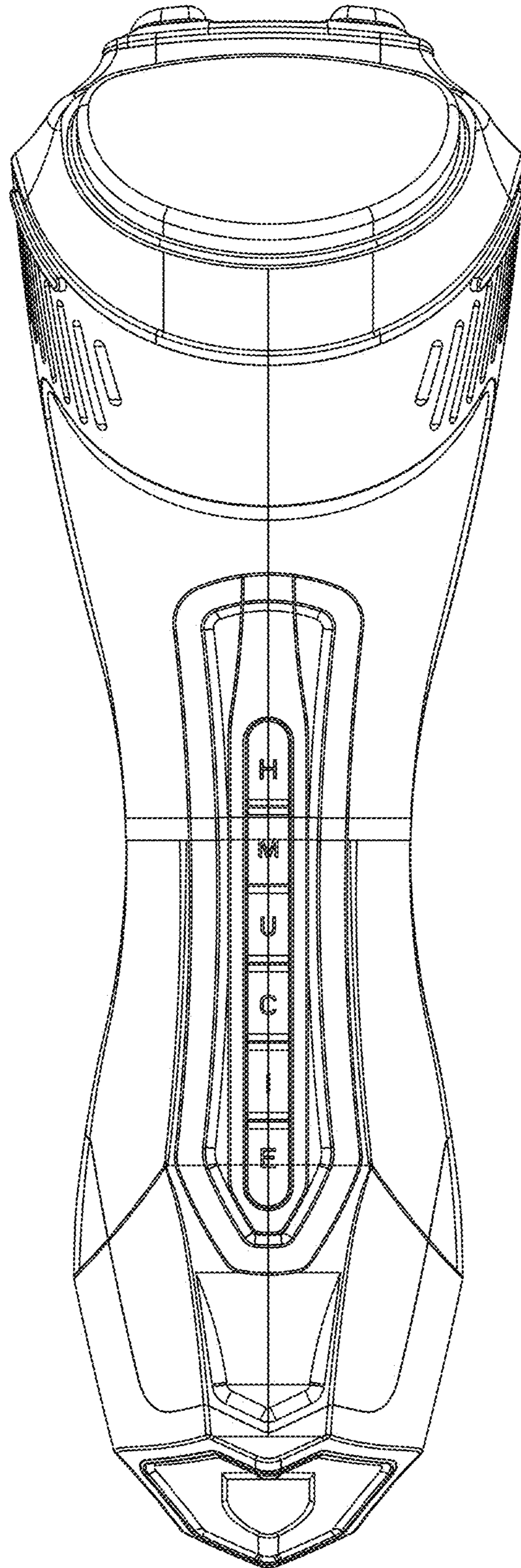


FIG. 2

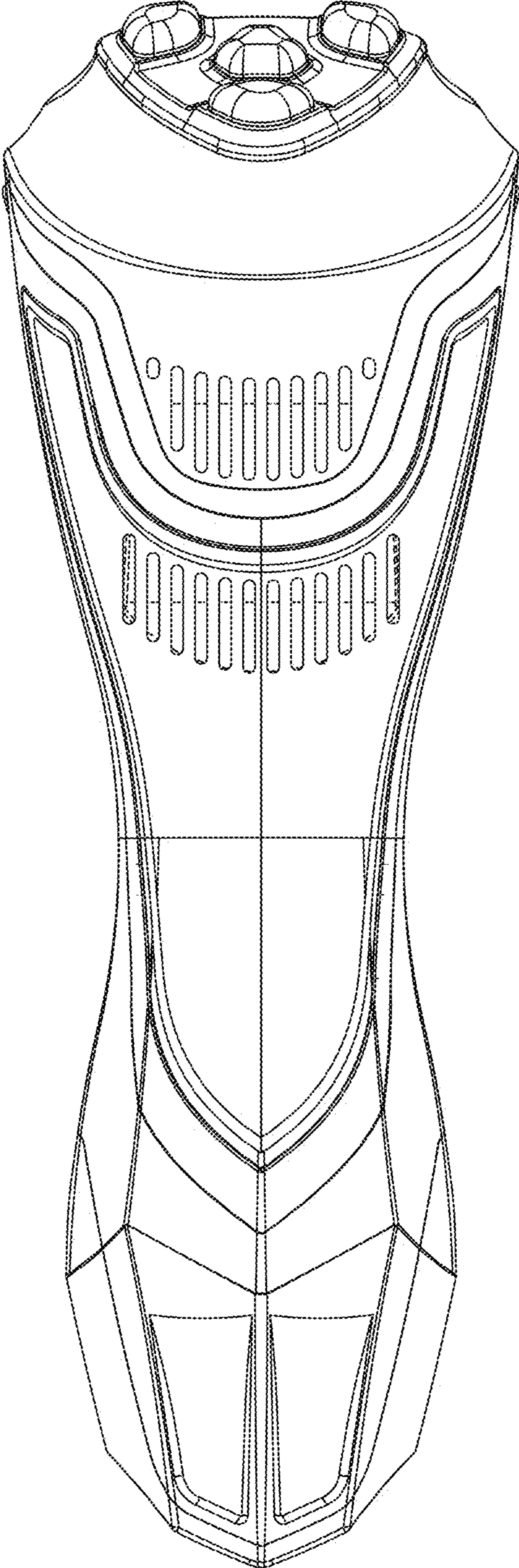


FIG. 3

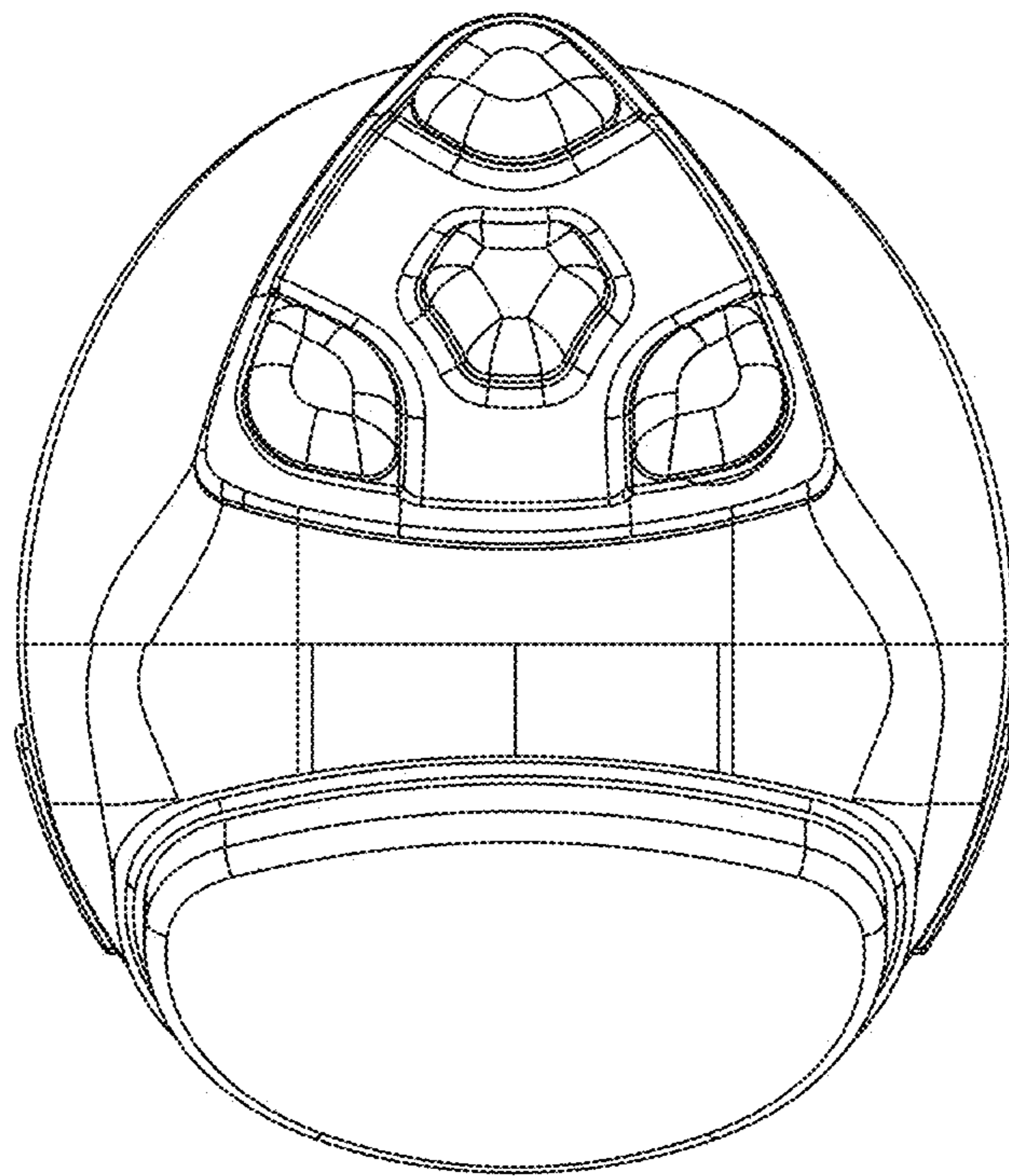


FIG. 4

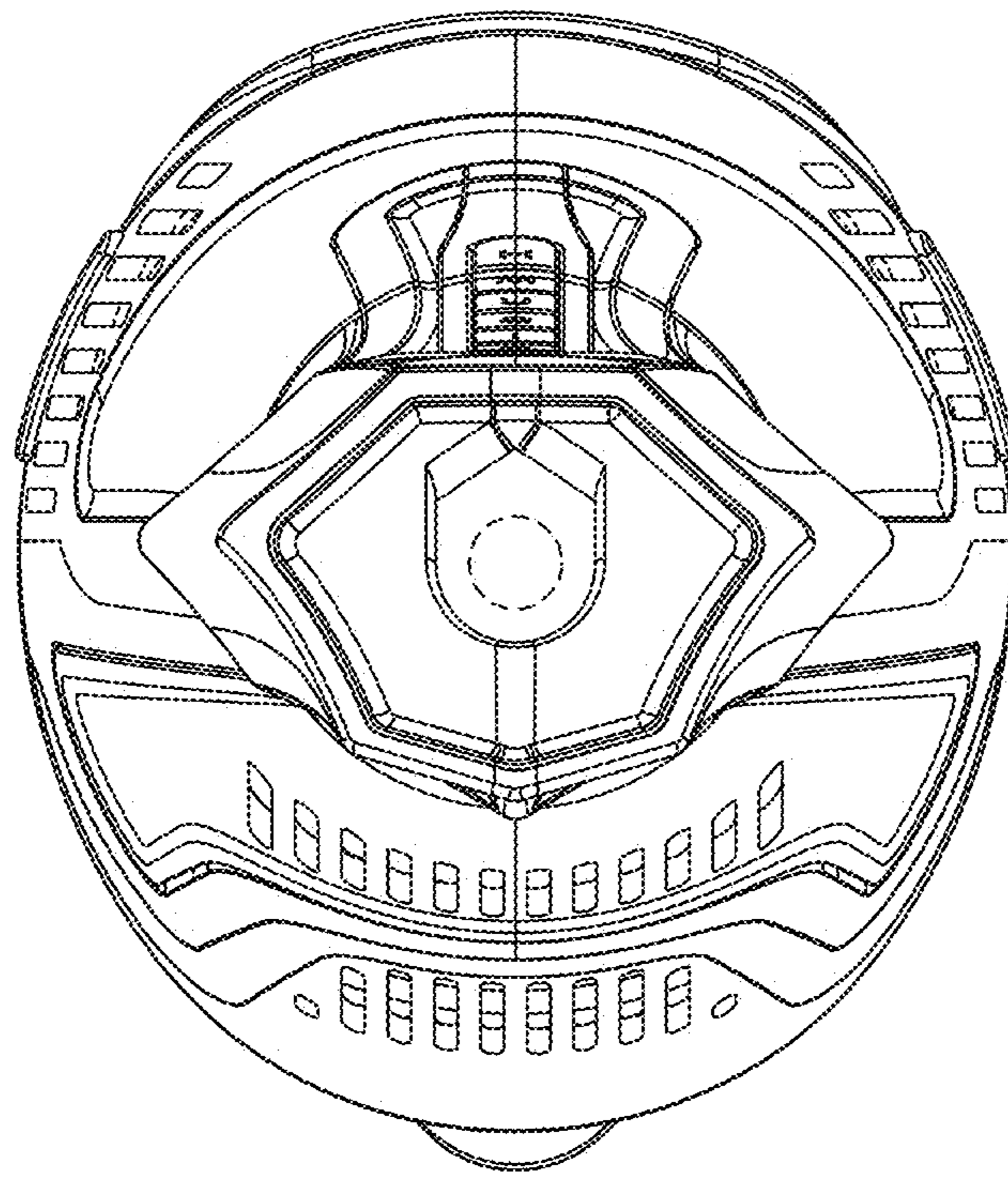


FIG. 5

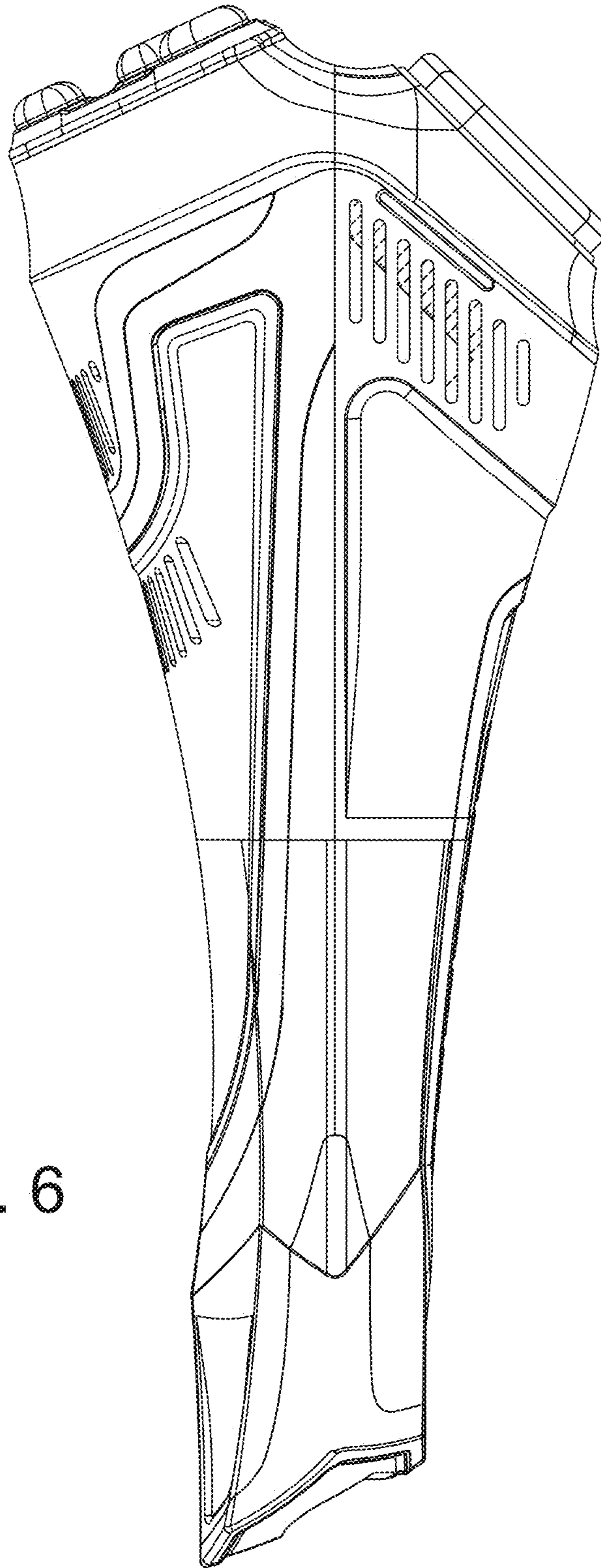


FIG. 6

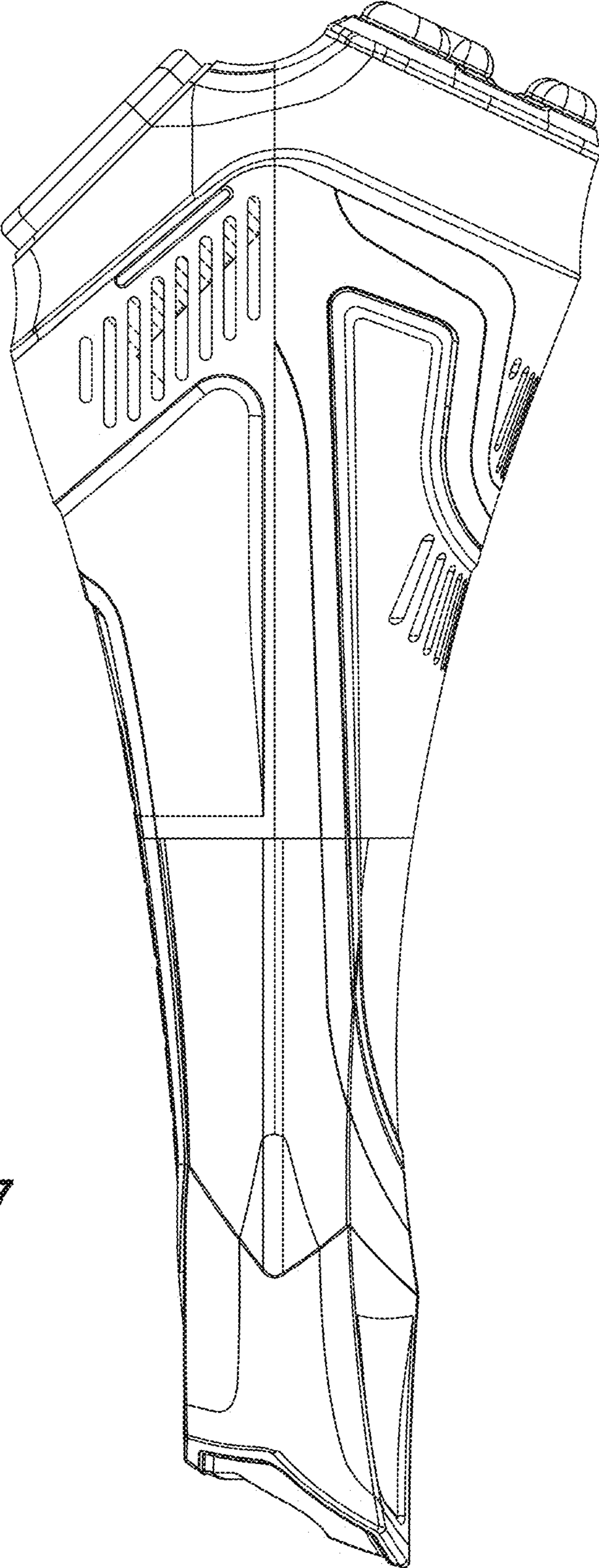


FIG. 7