



US00D979781S

(12) **United States Design Patent**
Kattan et al.

(10) **Patent No.:** **US D979,781 S**

(45) **Date of Patent:** **** Feb. 28, 2023**

(54) **SKIN CLEANSING DEVICE**

(71) Applicant: **Huda Beauty Limited**, Tortola (VG)

(72) Inventors: **Huda Heidi Kattan**, Dubai (AE);
Justina Eileen Mejia-Montane, Port
Orange, FL (US); **Charissa Toni Sihle**
Harris, Dubai (AE); **Molly Jayne**
Wagner, Dubai Marina (AE)

(73) Assignee: **Huda Beauty Limited**, Tortola (VG)

(**) Term: **15 Years**

(21) Appl. No.: **29/733,772**

(22) Filed: **May 6, 2020**

(51) **LOC (14) Cl.** **28-03**

(52) **U.S. Cl.**
USPC **D24/214**

(58) **Field of Classification Search**
USPC D24/215, 200, 211, 212, 213, 214, 133,
D24/107, 231, 184, 152, 146, 147;
D28/7, 21, 30; D4/104, 116, 129, 136,
D4/137, 138, 199; D12/215
CPC A61H 7/00; A61H 7/002; A61H 7/003;
A61H 7/005; A61H 2201/0153; A61H
2205/02; A61H 2205/022; A61H 15/00;
A61H 2015/0007; A61H 2015/0042;
A61H 15/0092; A61H 1/00

See application file for complete search history.

(56) **References Cited**

U.S. PATENT DOCUMENTS

D189,414 S *	12/1960	Kisky	D4/110
D243,422 S *	2/1977	Varga	D4/104
D378,250 S *	3/1997	Marchello	D4/104
D381,206 S *	7/1997	Mannino	D4/104
D468,538 S *	1/2003	Harada	D4/104
D536,452 S *	2/2007	Geiberger	D24/147

D656,734 S *	4/2012	Carpenter	D4/136
D674,911 S *	1/2013	Caldwell	D24/215
D699,041 S *	2/2014	Waitesmith	A46B 5/021
				D4/134
D813,553 S *	3/2018	Ford	D4/134

(Continued)

OTHER PUBLICATIONS

Huda Beauty—Clean Genie Cleansing Wand. Date: Not Listed.
[online]. [Site visited Mar. 2, 2022], Available from Internet URL:
https://hudabeauty.com/us/en_US/shop-skincare-tools/clean-genie-cleansing-wand-WF00010.html (Year: NA).*

(Continued)

Primary Examiner — Eliza Z Harvey

Assistant Examiner — Landon Thomas Cassell

(74) *Attorney, Agent, or Firm* — Boyle Fredrickson, S.C.

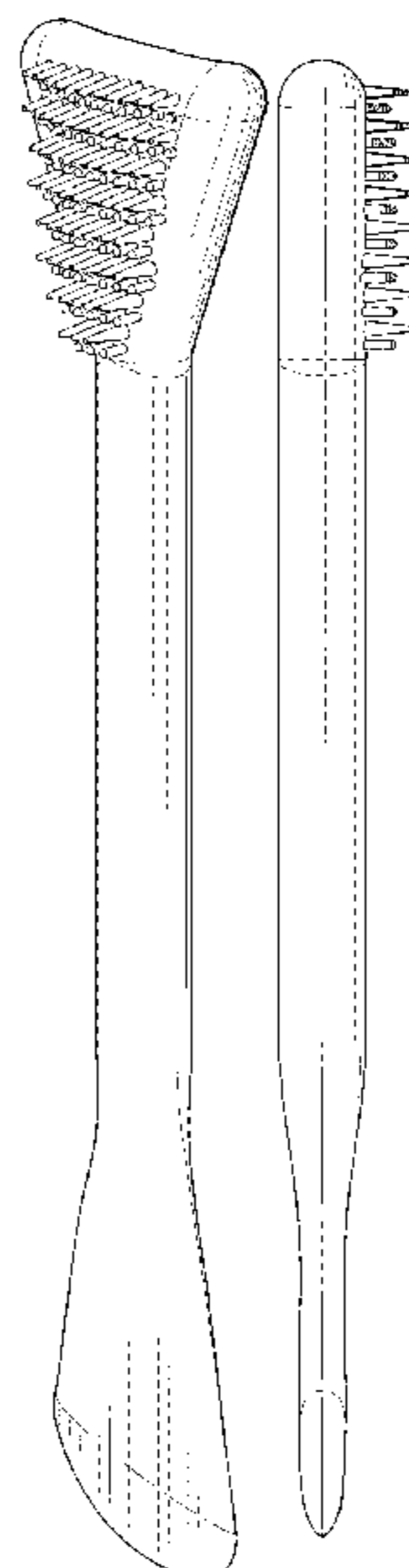
(57) **CLAIM**

The ornamental design for a skin cleansing device, substantially as shown and described.

DESCRIPTION

FIG. 1 is a perspective view for a skin cleansing device according to the invention;
FIG. 2 is another perspective view of the skin cleansing device of FIG. 1;
FIG. 3 is a front view of the skin cleansing device of FIG. 1;
FIG. 4 is a rear view of the skin cleansing device of FIG. 1;
FIG. 5 is a side view of the skin cleansing device of FIG. 1;
FIG. 6 is an opposite side view of the skin cleansing device of FIG. 1;
FIG. 7 is an end view of the skin cleansing device of FIG. 1; and,
FIG. 8 is an opposite end view of the skin cleansing device of FIG. 1.

1 Claim, 7 Drawing Sheets



(56)

References Cited

U.S. PATENT DOCUMENTS

D903,334 S * 12/2020 Walsh D4/134
D903,891 S * 12/2020 Sedic D24/215

OTHER PUBLICATIONS

Tweezerman—Pore Cleaner. Date: Jan. 15, 2020. [online]. [Site visited Mar. 2, 2022], Available from Internet URL: <https://www.amazon.co.uk/dp/B083FWW1L7/> (Year: 2020).*

Rosarden—Facial Cleansing Brush. Date: Nov. 6, 2020. [online]. [Site visited Mar. 1, 2022], Available from Internet URL: <https://www.amazon.co.uk/dp/B092LLRXBH/> (Year: 2020).*

Skin Cleansing Devices. (Design—© Questel) orbit.com. [Online PDF compilation of references] 48 pgs. Print Dates Range Nov. 14, 2018-Mar. 11, 2015 [Retrieved Feb. 3, 2022] <https://www.orbit.com/export/UCZAH96B/pdf4/b4629574-f14f-4a34-bbed-3d2318131937-165732.pdf> (Year: 2022).*

* cited by examiner

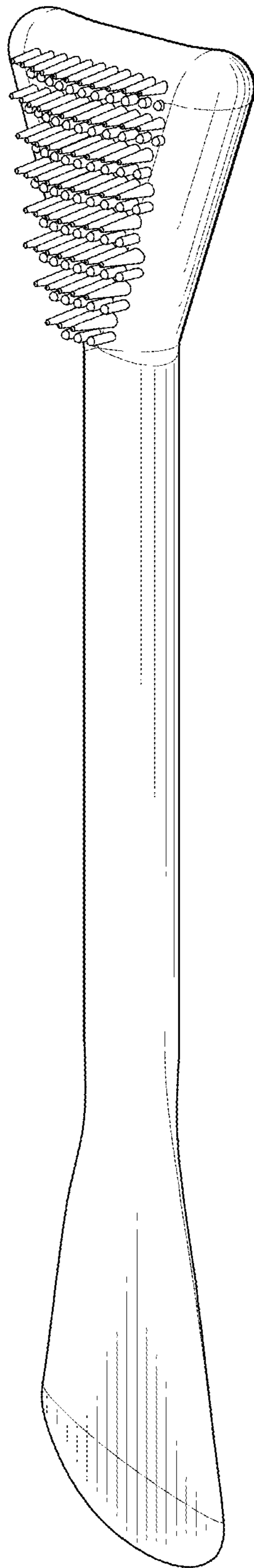


FIG. 1

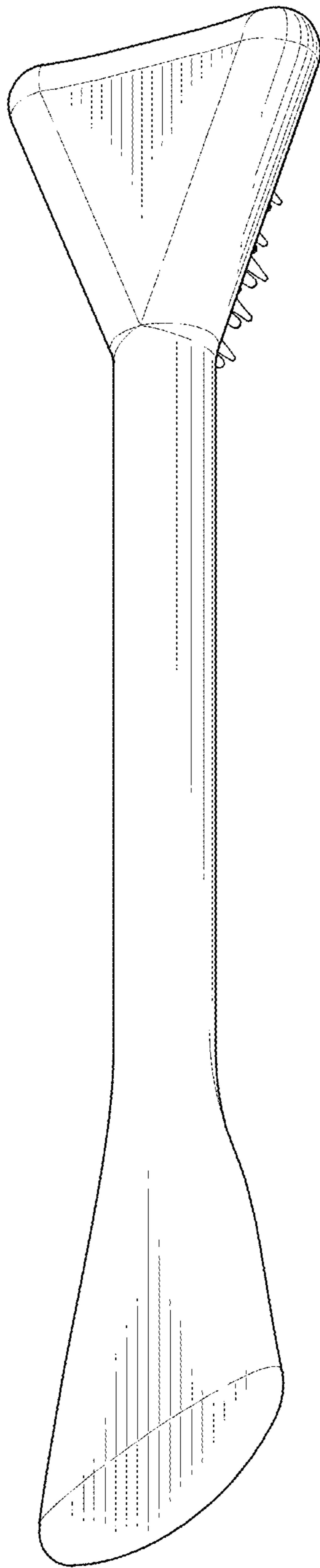


FIG. 2

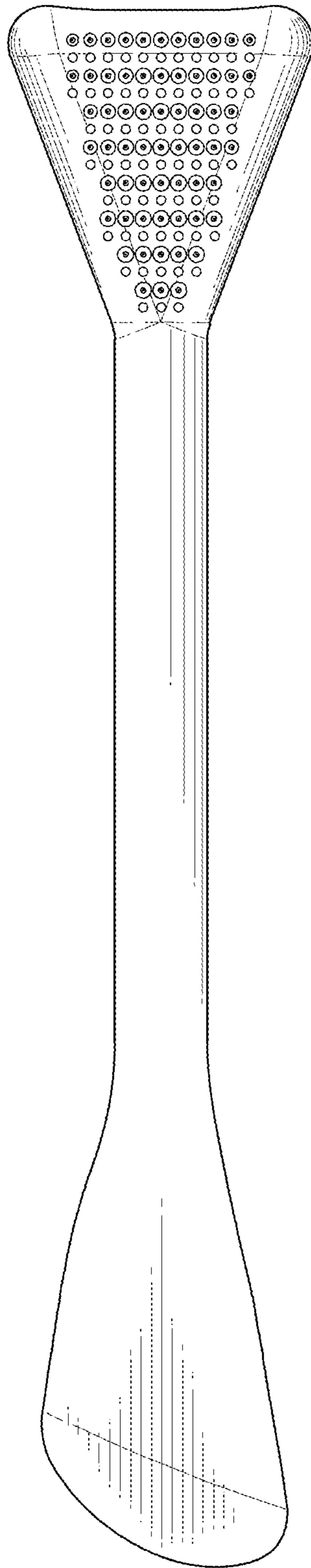


FIG. 3

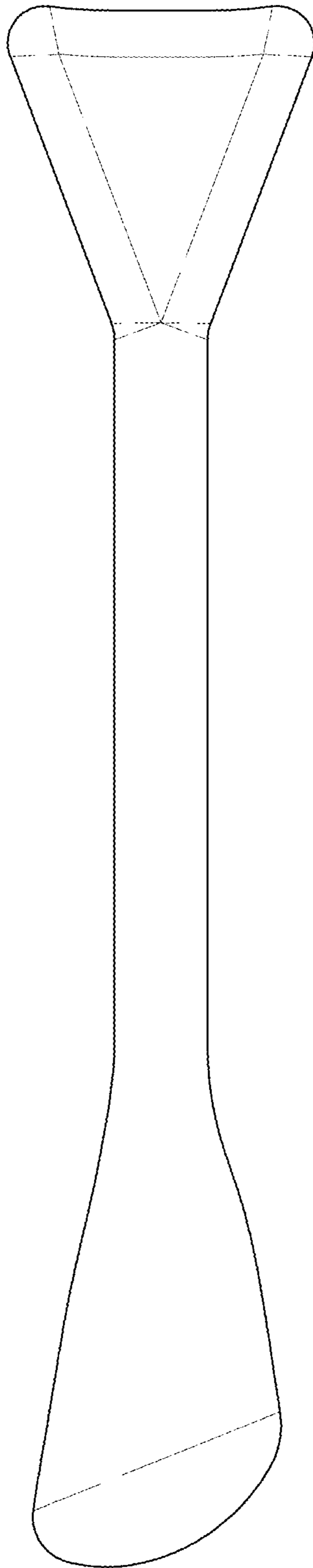


FIG. 4

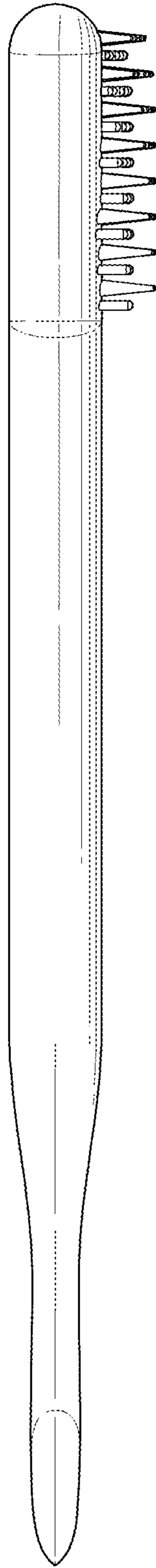


FIG. 5

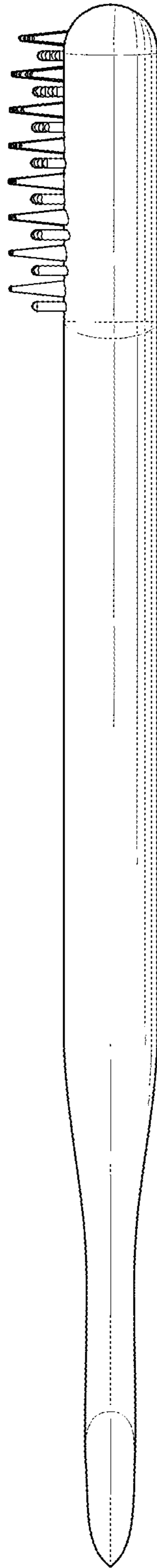


FIG. 6

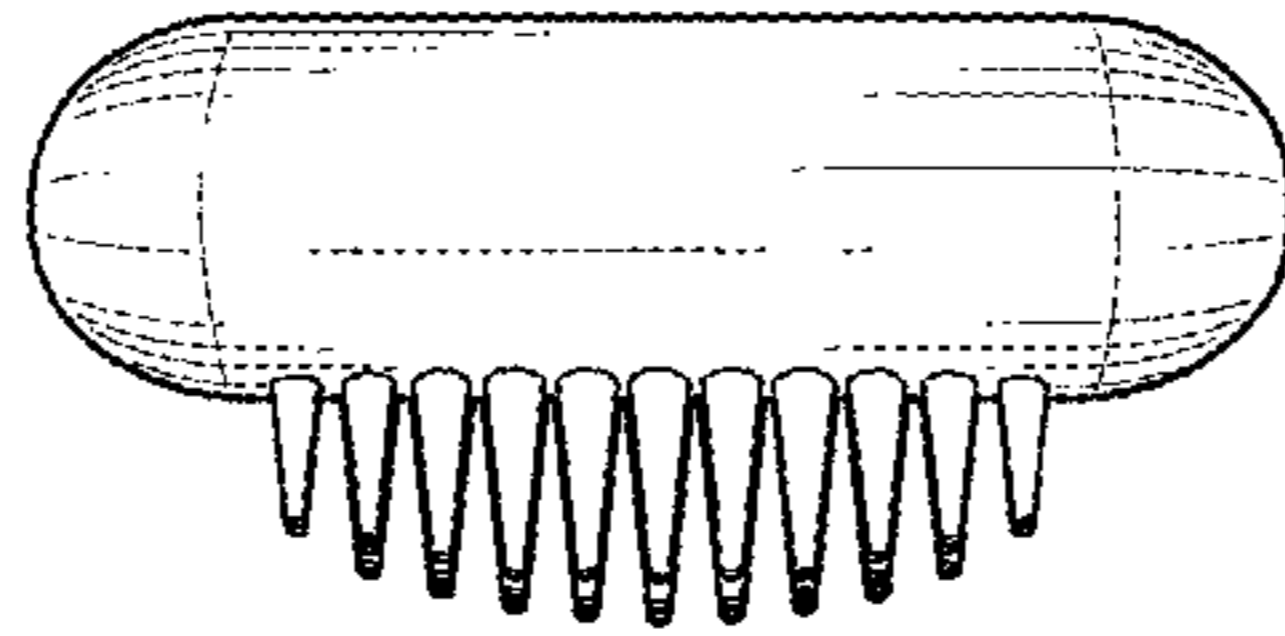


FIG. 7

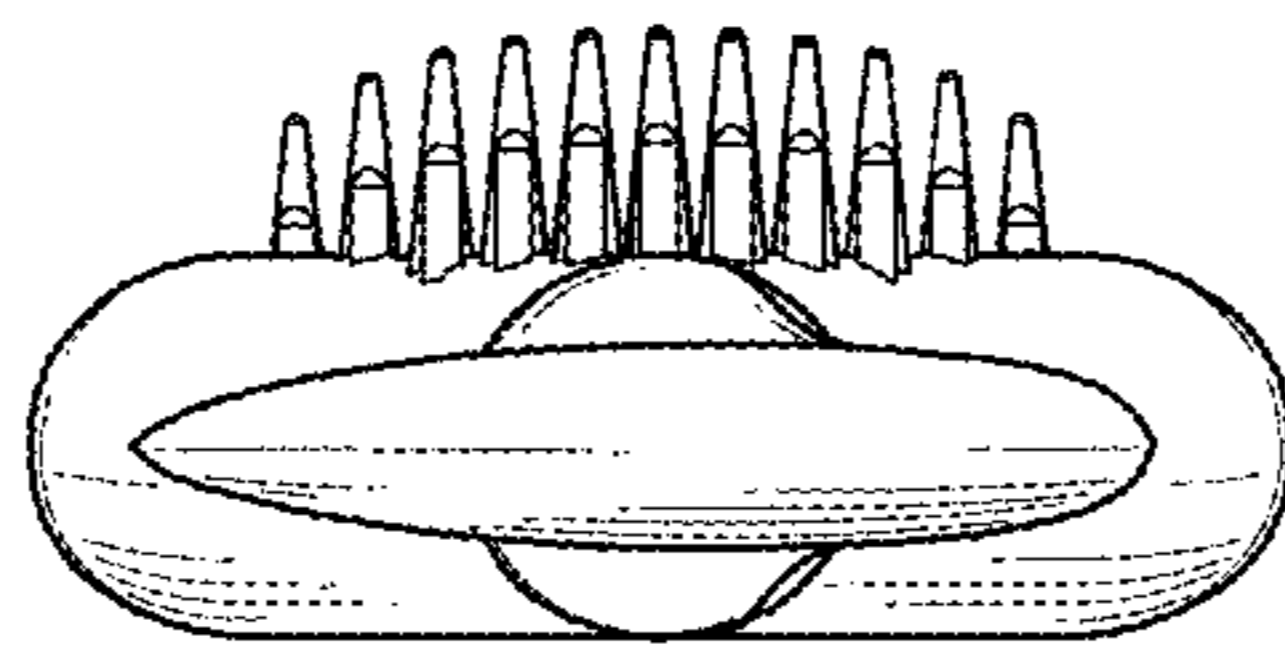


FIG. 8