



US00D979776S

(12) **United States Design Patent**  
**Sternlight**

(10) **Patent No.:** **US D979,776 S**  
(45) **Date of Patent:** **\*\* Feb. 28, 2023**

(54) **HEATING PAD**

(71) Applicant: **David Sternlight**, Woodland Hills, CA (US)

(72) Inventor: **David Sternlight**, Woodland Hills, CA (US)

(\*\*) Term: **15 Years**

(21) Appl. No.: **29/805,917**

(22) Filed: **Aug. 31, 2021**

(51) **LOC (14) Cl.** ..... **24-01**

(52) **U.S. Cl.**  
USPC ..... **D24/206**

(58) **Field of Classification Search**

USPC ..... D24/200, 206–207, 186–187, 232, 133, D24/209, 211–215, 188–192, 145–147, D24/143, 164–169; D29/121.1, 101.5, D29/122, 100–102; D3/901, 327; D13/103, 108  
CPC ... A61B 5/0478; A61B 5/0492; A61B 5/6803; A61B 5/6814; A61B 17/00761; A61B 17/05; A61B 2017/320004; A61N 1/04; A61N 1/0404; A61N 1/0424; A61N 1/0456; A61N 1/0476; A61N 1/0484; A61N 1/0492; A61N 1/0526; A61N 1/36014; A61N 1/36017; A61H 2201/1253; A61H 23/0263; A61H 7/00; A61H 35/006; A61H 39/04; A61H 2205/062; A61H 2201/1604; A45D 29/00; A45D 29/17; A61G 12/124; A61F 13/38; A61F 2005/0172; A61F 5/0109; A61F 5/0123; A61F 13/085; A61F 2002/30024; A61F 2002/5055; A61F 2002/5056; A61F 2002/7818; A61F 2002/785; A61F 2005/0137; A61F 2005/0169  
See application file for complete search history.

(56) **References Cited**

**U.S. PATENT DOCUMENTS**

D273,992 S \* 5/1984 Burby ..... D24/189  
D318,120 S \* 7/1991 Doyle ..... D24/169

(Continued)

**FOREIGN PATENT DOCUMENTS**

KR 3020010000129 \* 1/2001  
WO 2009009861 A1 1/2009

**OTHER PUBLICATIONS**

Incredi-Heat—Portable USB Heating Pad, first available 2021, cabeau.com, [online], [site visited Oct. 20, 2022], Available from internet URL: [https://cabeau.com/products/incredi-heat?variant=39749720473686&currency=USD&utm\\_medium=product\\_sync&utm\\_source=google&utm\\_content=%E2%80%A6](https://cabeau.com/products/incredi-heat?variant=39749720473686&currency=USD&utm_medium=product_sync&utm_source=google&utm_content=%E2%80%A6) (Year: 2021).\*

(Continued)

*Primary Examiner* — Samantha Q Lawrence  
*Assistant Examiner* — Holly M Rodriguez  
(74) *Attorney, Agent, or Firm* — Victoria Friedman; Dennemeyer & Associates, LLC

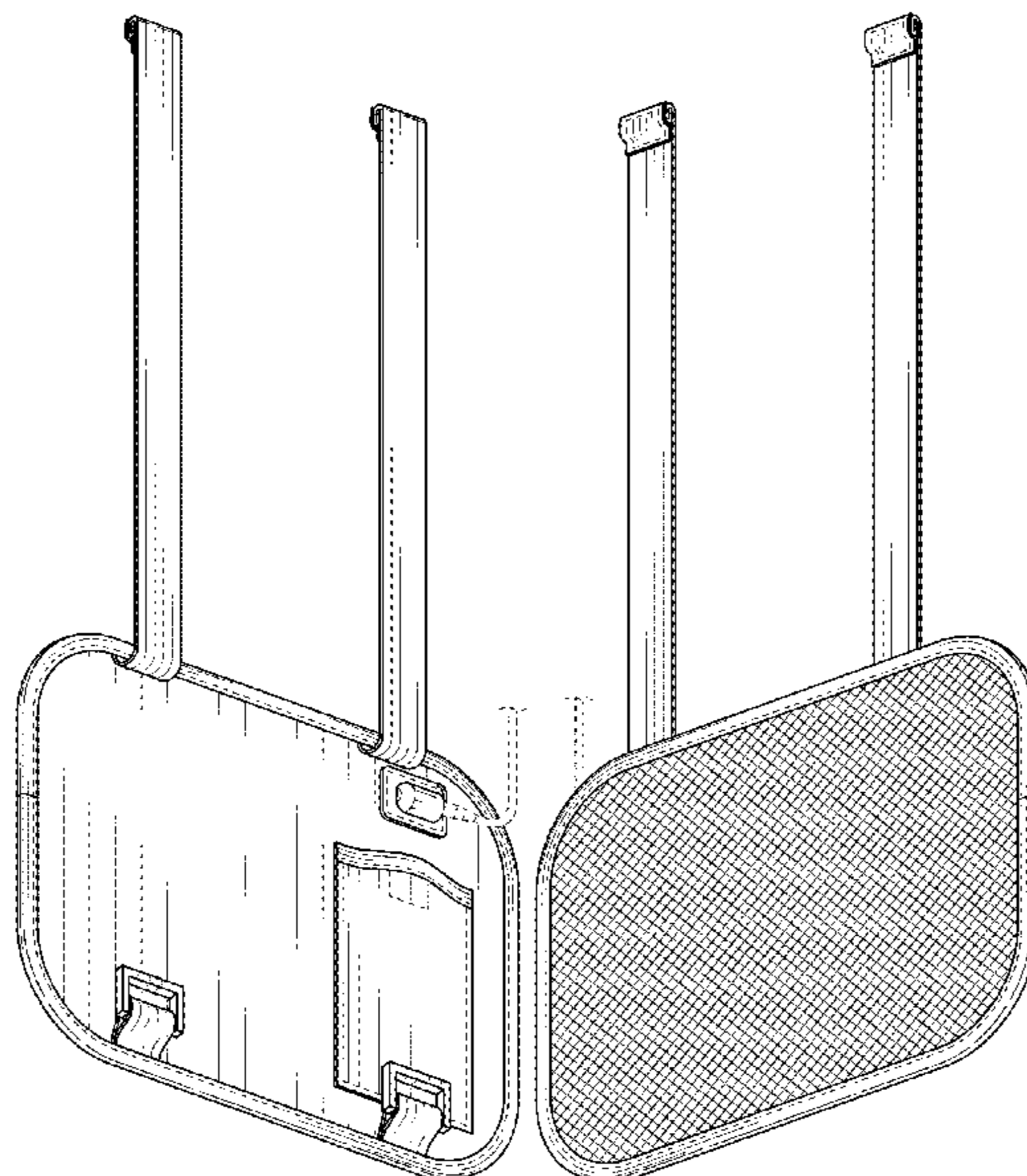
(57) **CLAIM**

The ornamental design for a heating pad, as shown and described.

**DESCRIPTION**

FIG. 1 is a top perspective view of a heating pad, showing my new design;  
FIG. 2 is a bottom perspective view thereof;  
FIG. 3 is a top plan view thereof;  
FIG. 4 is a bottom plan view thereof;  
FIG. 5 is a front elevational view thereof;  
FIG. 6 is a rear elevational view thereof;  
FIG. 7 is a left-side elevational view thereof; and,  
FIG. 8 is a right-side elevational view thereof.  
The broken lines showing a power cord in the figures depict portions of the heating pad that form no part of the claimed design. The remaining broken lines represent stitching, and are part of the claimed design.

**1 Claim, 6 Drawing Sheets**



(56)

**References Cited**

## U.S. PATENT DOCUMENTS

D324,733 S \* 3/1992 O'Brien ..... D24/206  
D325,637 S \* 4/1992 O'Brien ..... D24/206  
D329,498 S \* 9/1992 Pryor ..... D24/206  
D341,053 S \* 11/1993 Hassel ..... D6/601  
D404,494 S \* 1/1999 Wood ..... D24/207  
D461,903 S \* 8/2002 Garcia ..... D24/206  
8,231,816 B2 7/2012 Kingsford et al.  
D700,707 S \* 3/2014 Baumgarten ..... D24/189  
10,201,935 B2 2/2019 Augustine et al.  
2016/0199222 A1\* 7/2016 Mullen, Sr. .... A61F 7/02  
607/112

## OTHER PUBLICATIONS

Cabeau Incredi-Heat Pad—USB-Powered Heating Pad, first available Mar. 3, 2022, amazon.com, [online], [site visited Oct. 20, 2022], Available from internet URL: <https://www.amazon.com/Cabeau-Incredi-Heat-Pad-USB-Powered-Heating/dp/B09TS74VM8> (Year: 2022).\*

Sunbeam USB Heating Pad for Back, first available Mar. 10, 2021, amazon.com, [online], [site visited Oct. 20, 2022], Available from internet URL: <https://www.amazon.com/Sunbeam-GoHeat-Powered-Heating-Gray/dp/B08RMN5KZX/> (Year: 2021).\*

\* cited by examiner

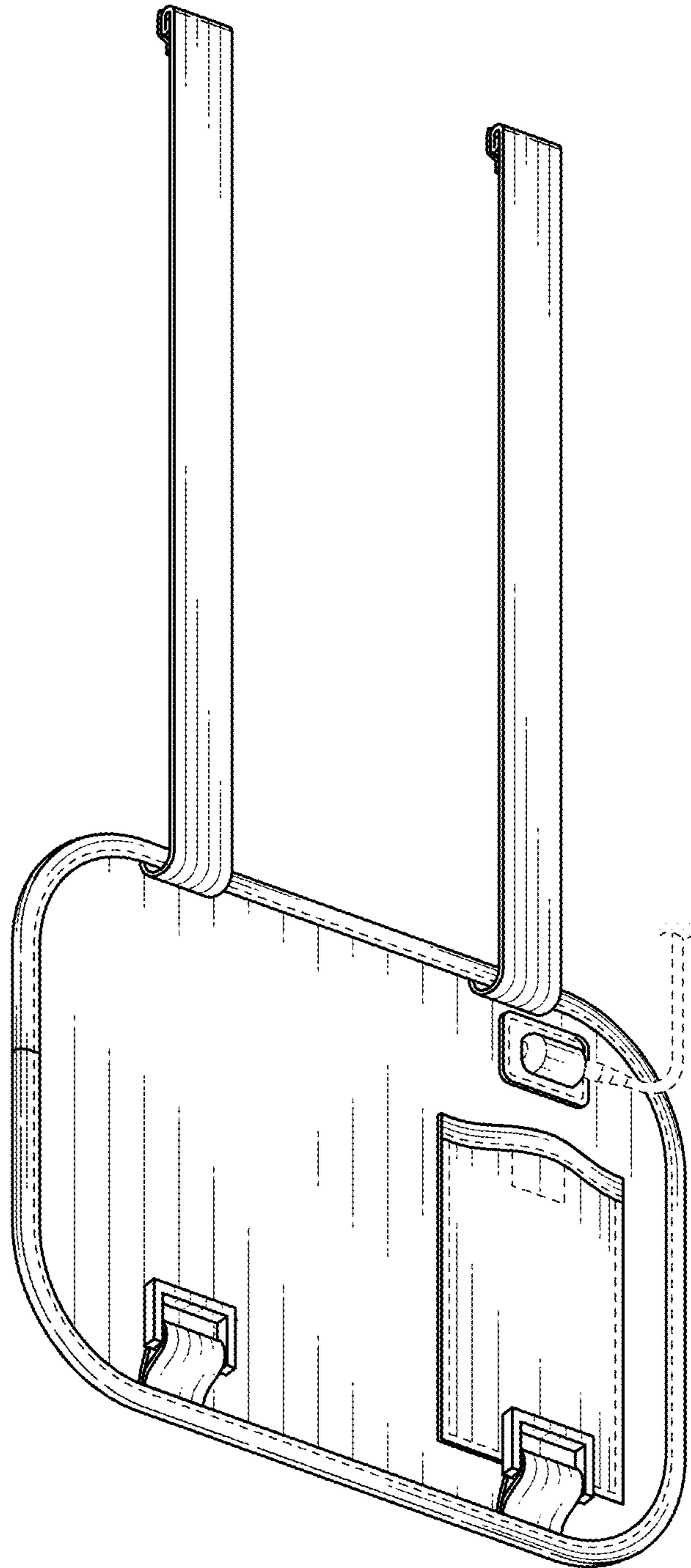


FIG. 1

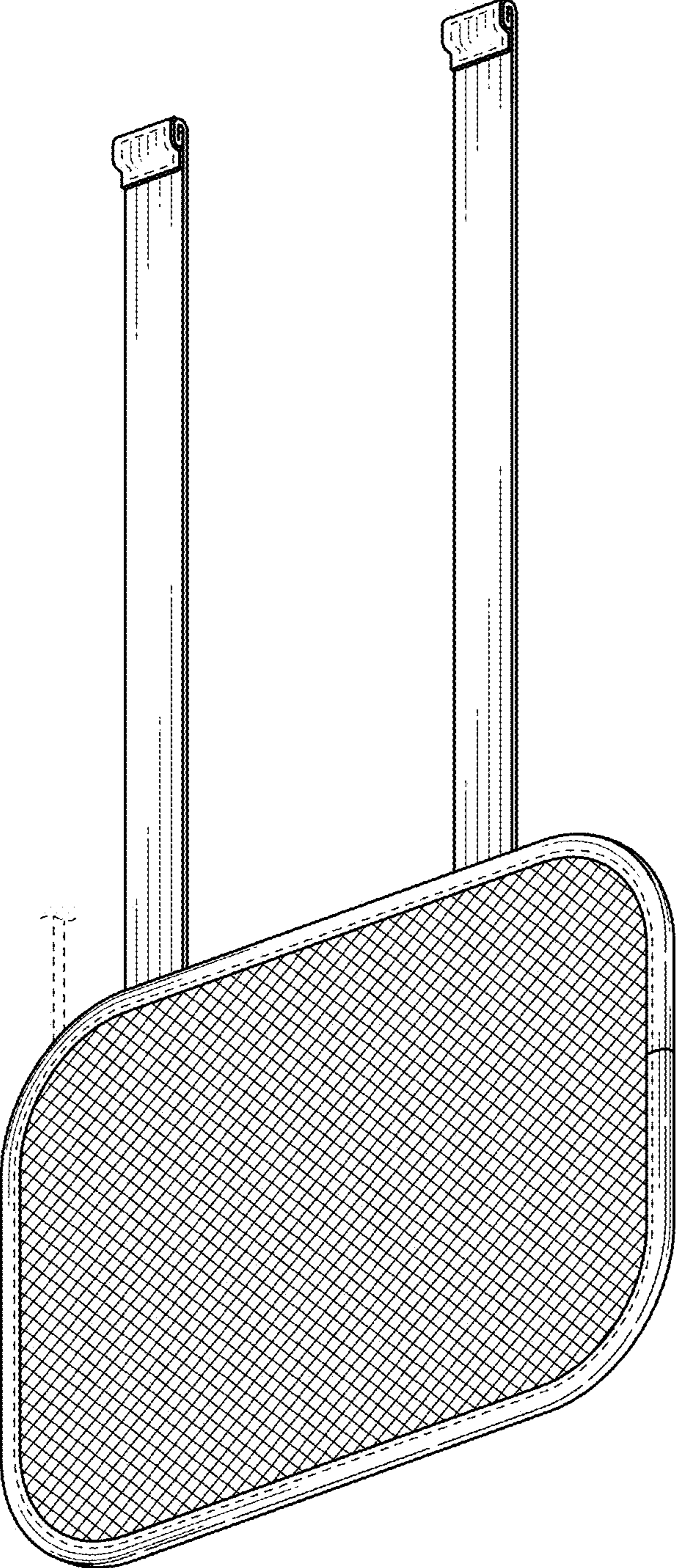


FIG. 2

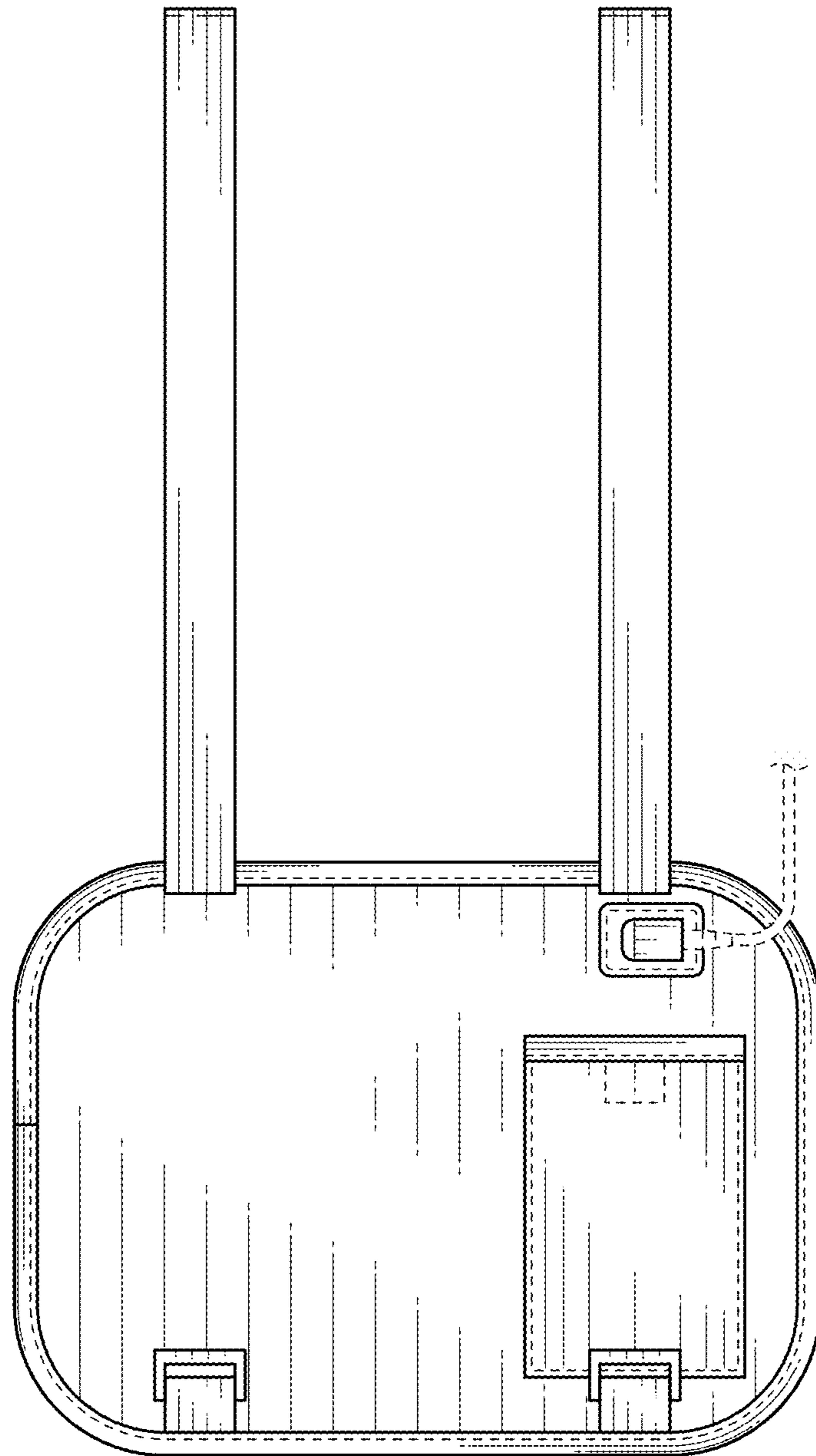


FIG. 3

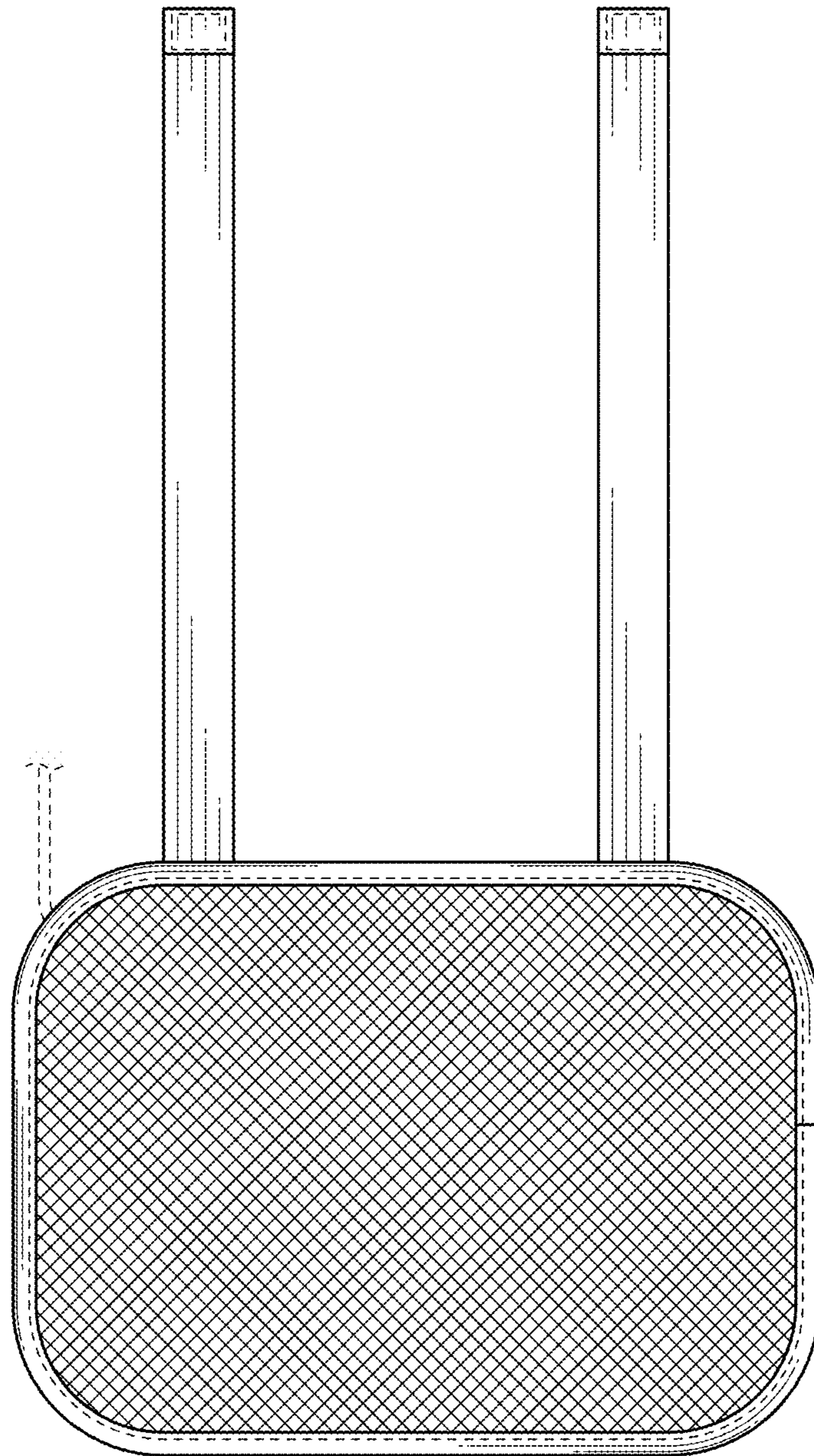


FIG. 4



FIG. 5

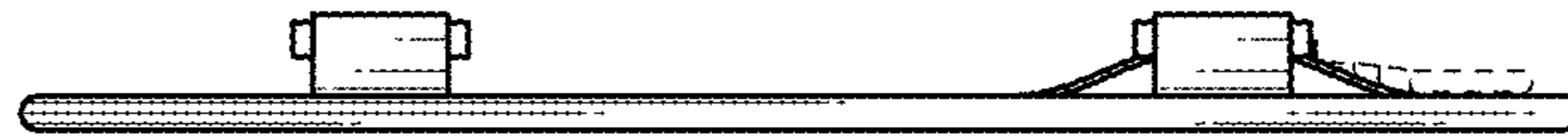


FIG. 6



FIG. 7

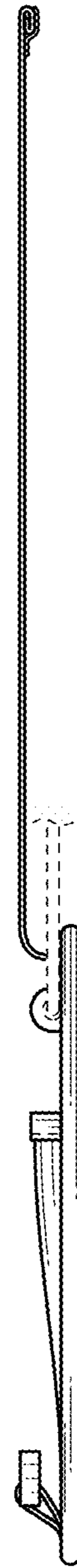


FIG. 8