



US00D979775S

(12) **United States Design Patent**
Janicki et al.

(10) **Patent No.:** **US D979,775 S**

(45) **Date of Patent:** **** Feb. 28, 2023**

(54) **FLOAT POD**

(71) Applicant: **True Rest Franchising LLC**,
Coronado, CA (US)

(72) Inventors: **Nicholas Janicki**, Tempe, AZ (US);
Abraham Kezirian, Fresno, CA (US);
Mark Jackson, Fresno, CA (US);
Shaun Cuaron, Fresno, CA (US)

(**) Term: **15 Years**

(21) Appl. No.: **29/816,659**

(22) Filed: **Nov. 23, 2021**

Related U.S. Application Data

(63) Continuation of application No. 29/725,748, filed on
Feb. 26, 2020, now Pat. No. Des. 936,851.

(51) **LOC (14) Cl.** **23-02**

(52) **U.S. Cl.**
USPC **D24/202**

(58) **Field of Classification Search**
USPC D23/276, 277, 278, 280.1, 280.2, 280.3;
D24/201-205, 213
CPC A61H 33/6005; A61H 33/6021; A61H
33/6089; A61H 33/6094; A61H 2035/004;
A61H 35/006; A61H 33/06; A61H
33/066; A47K 3/022; A47K 3/062
See application file for complete search history.

(56) **References Cited**

U.S. PATENT DOCUMENTS

D289,686 S * 5/1987 Springer, Jr. D25/16
D367,709 S * 3/1996 Lawing D24/201

D534,278 S * 12/2006 Lu D24/202
D541,423 S * 4/2007 Gay D24/202
D585,995 S * 2/2009 Sinka D24/202
D936,851 S * 11/2021 Janicki D24/202
2018/0053508 A1* 2/2018 Agnew A61M 21/0094

* cited by examiner

Primary Examiner — Anhdao Doan

(74) *Attorney, Agent, or Firm* — Symbus Law Group,
PLLC; Craig A. Simmermon

(57) **CLAIM**

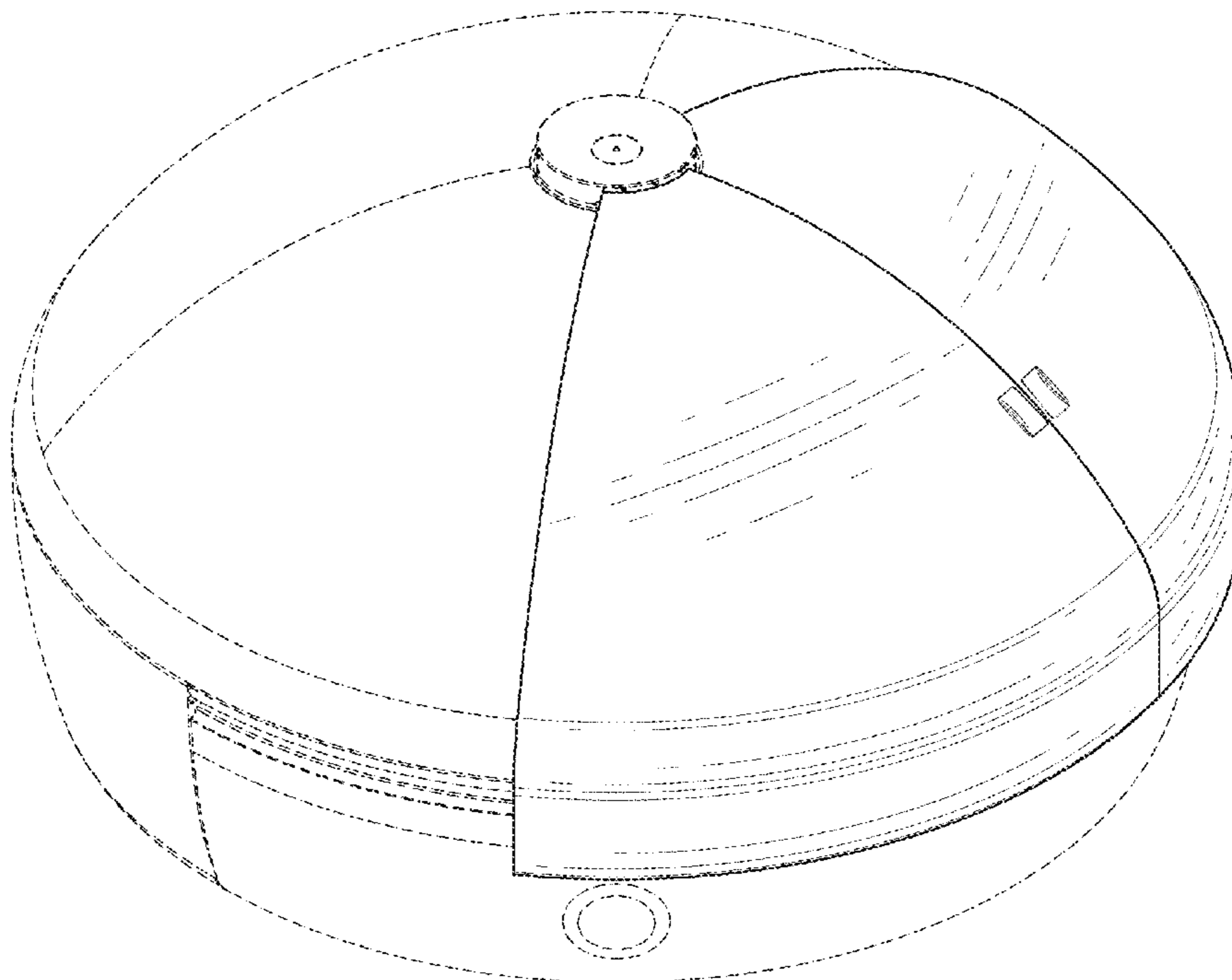
The ornamental design for a float pod, as shown and
described.

DESCRIPTION

FIG. 1 is a front, top, left side perspective view of a float
pod, showing the new design;
FIG. 2 is a front, top, left side perspective view thereof, in
a position of use with the doors open;
FIG. 3 is a front view thereof;
FIG. 4 is a rear view thereof;
FIG. 5 is a right side view thereof;
FIG. 6 is a left side view thereof;
FIG. 7 is a top view thereof; and,
FIG. 8 is a bottom view thereof.

The broken lines depicting a human in FIG. 2 represent an
environment and form no part of the claimed design; the
remaining broken lines illustrate portions of the float pod
that form no part of the claimed design.

1 Claim, 8 Drawing Sheets



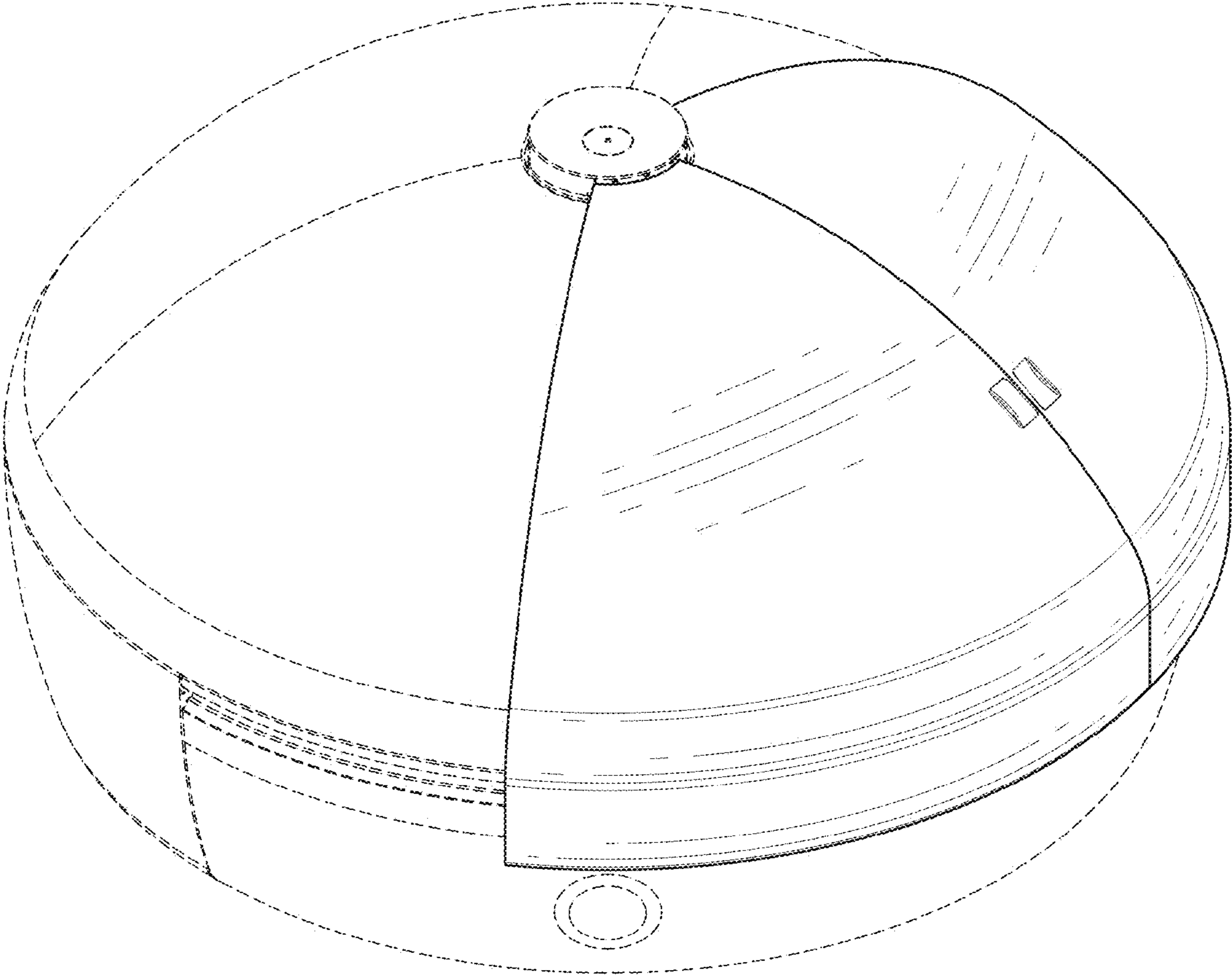


FIG. 1

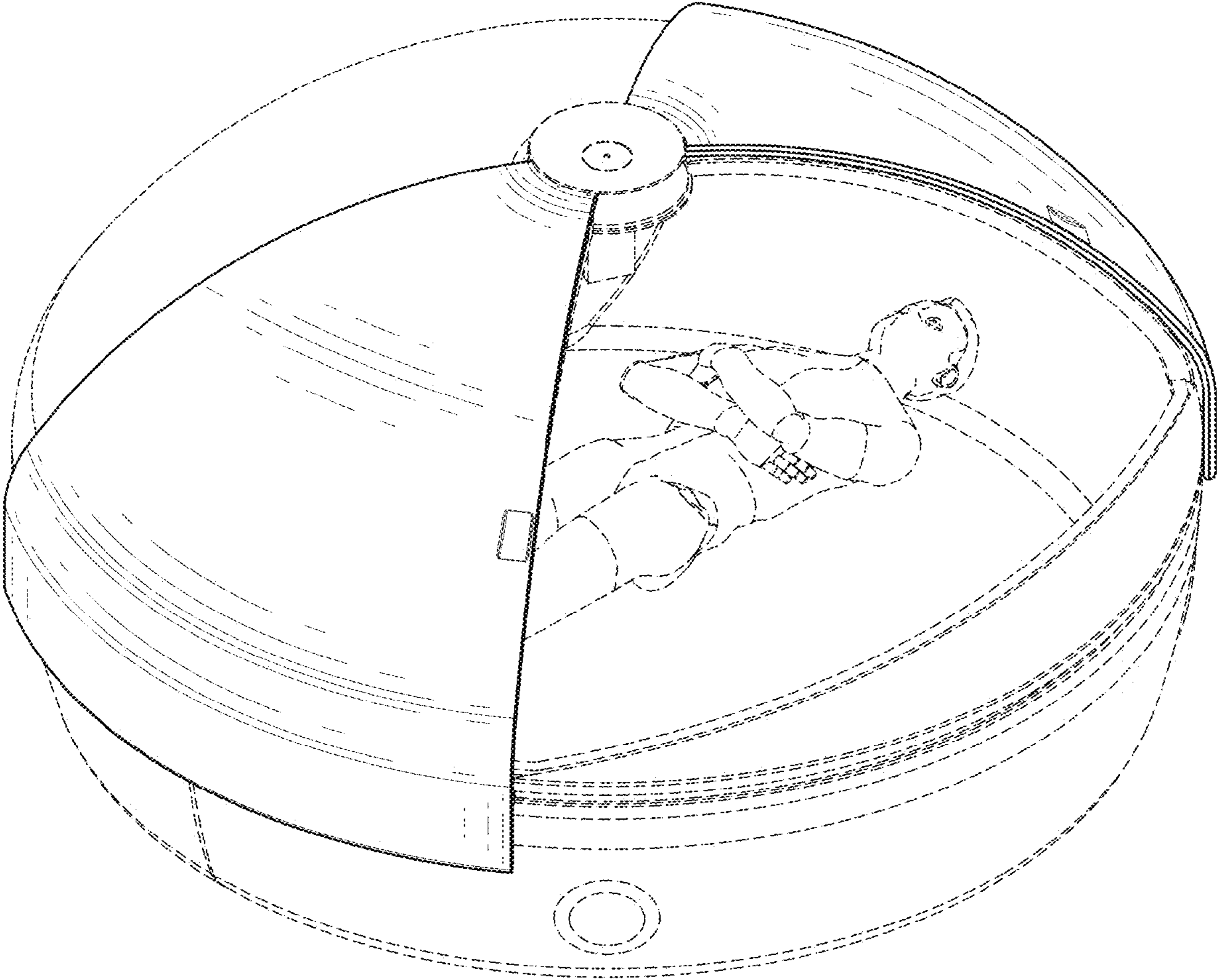


FIG. 2

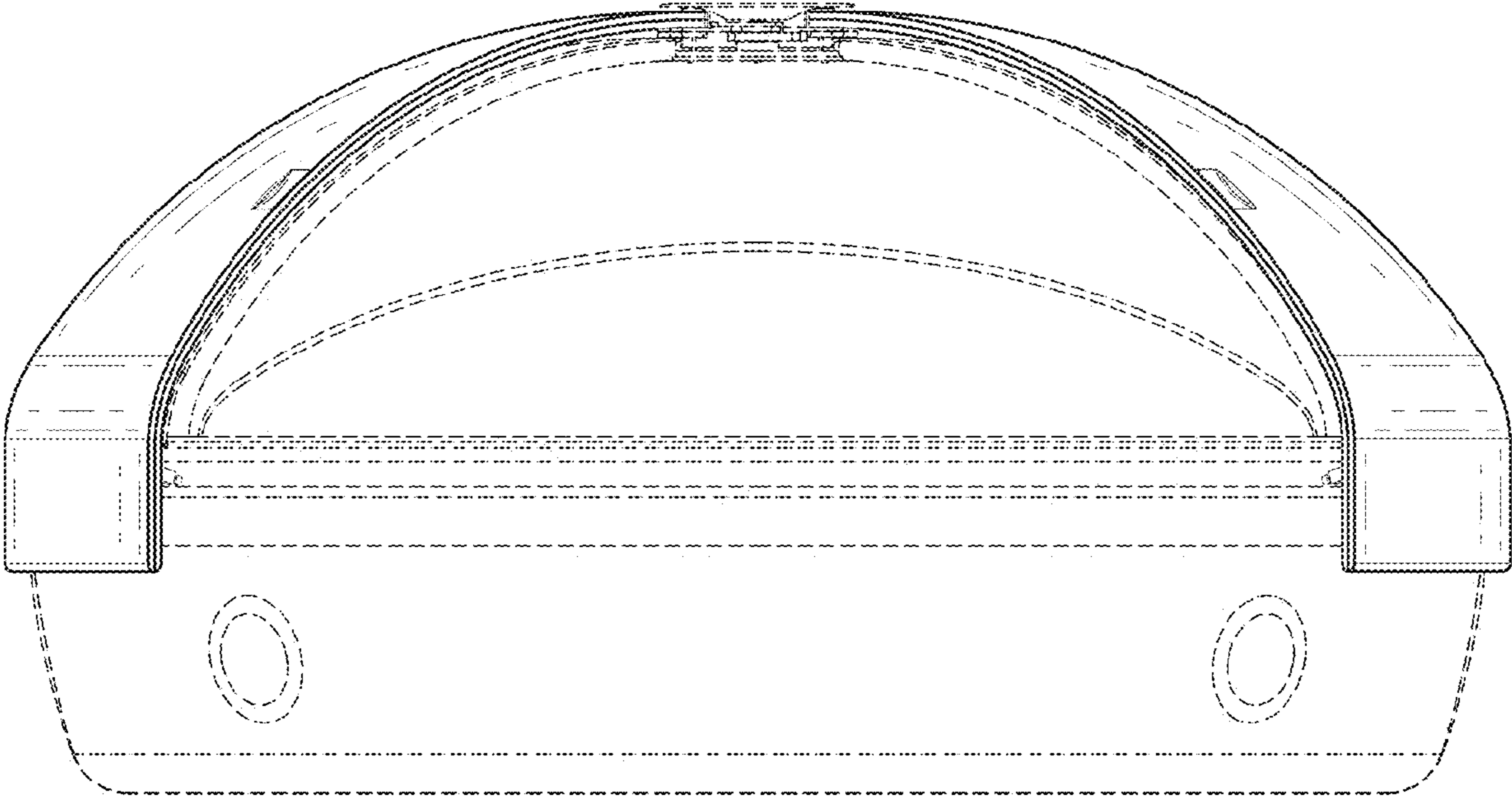


FIG. 3

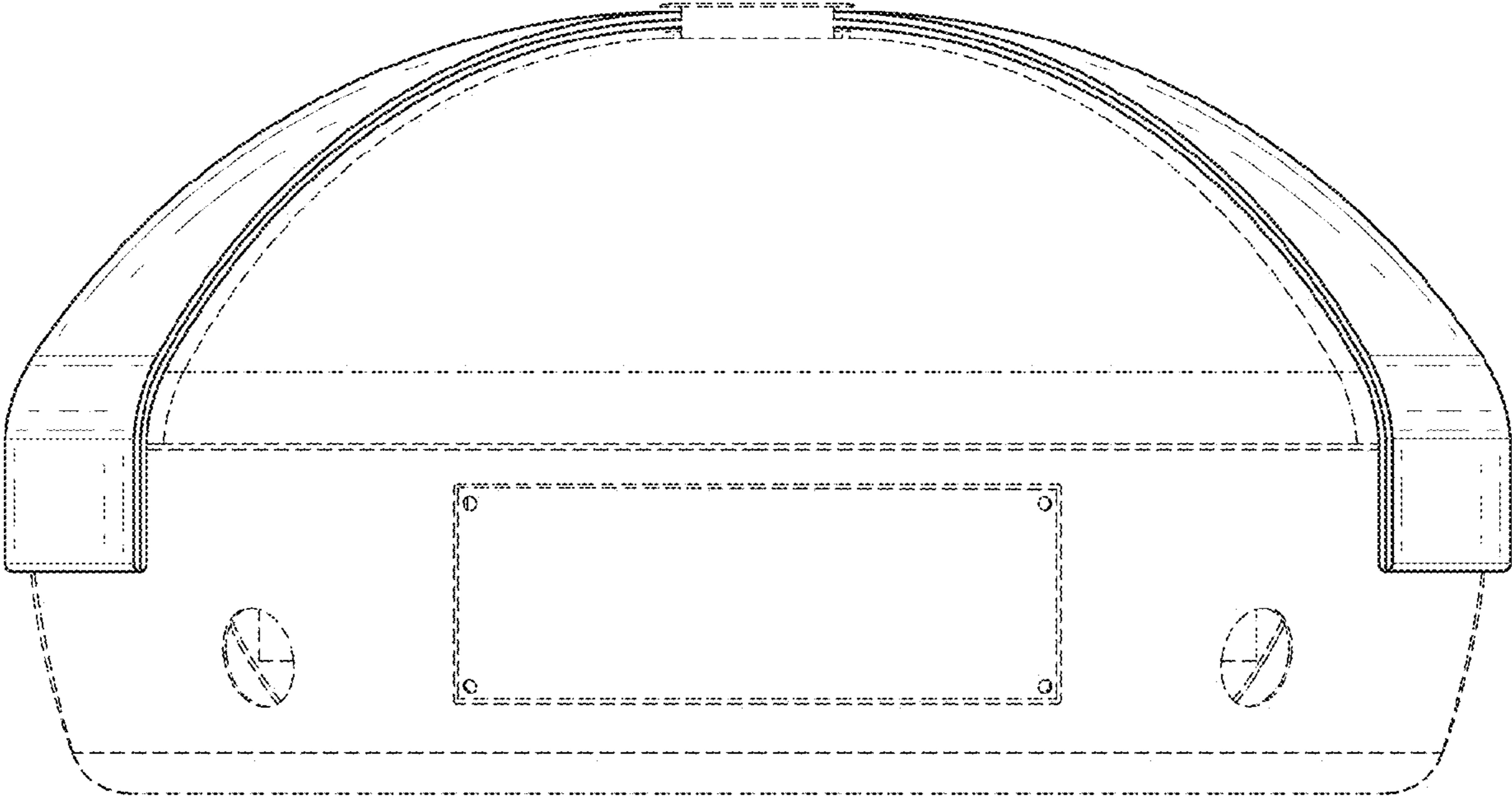


FIG. 4

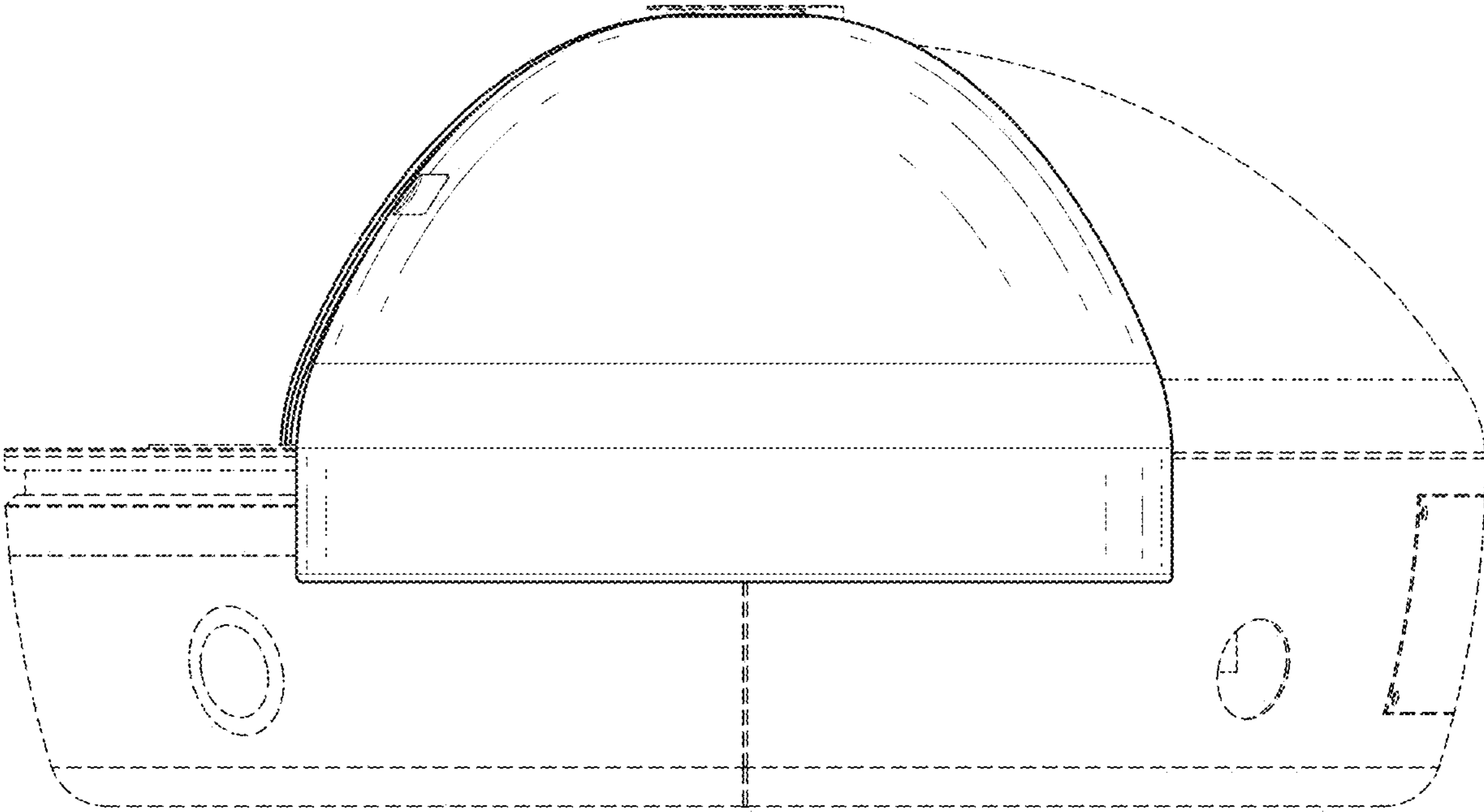


FIG. 5

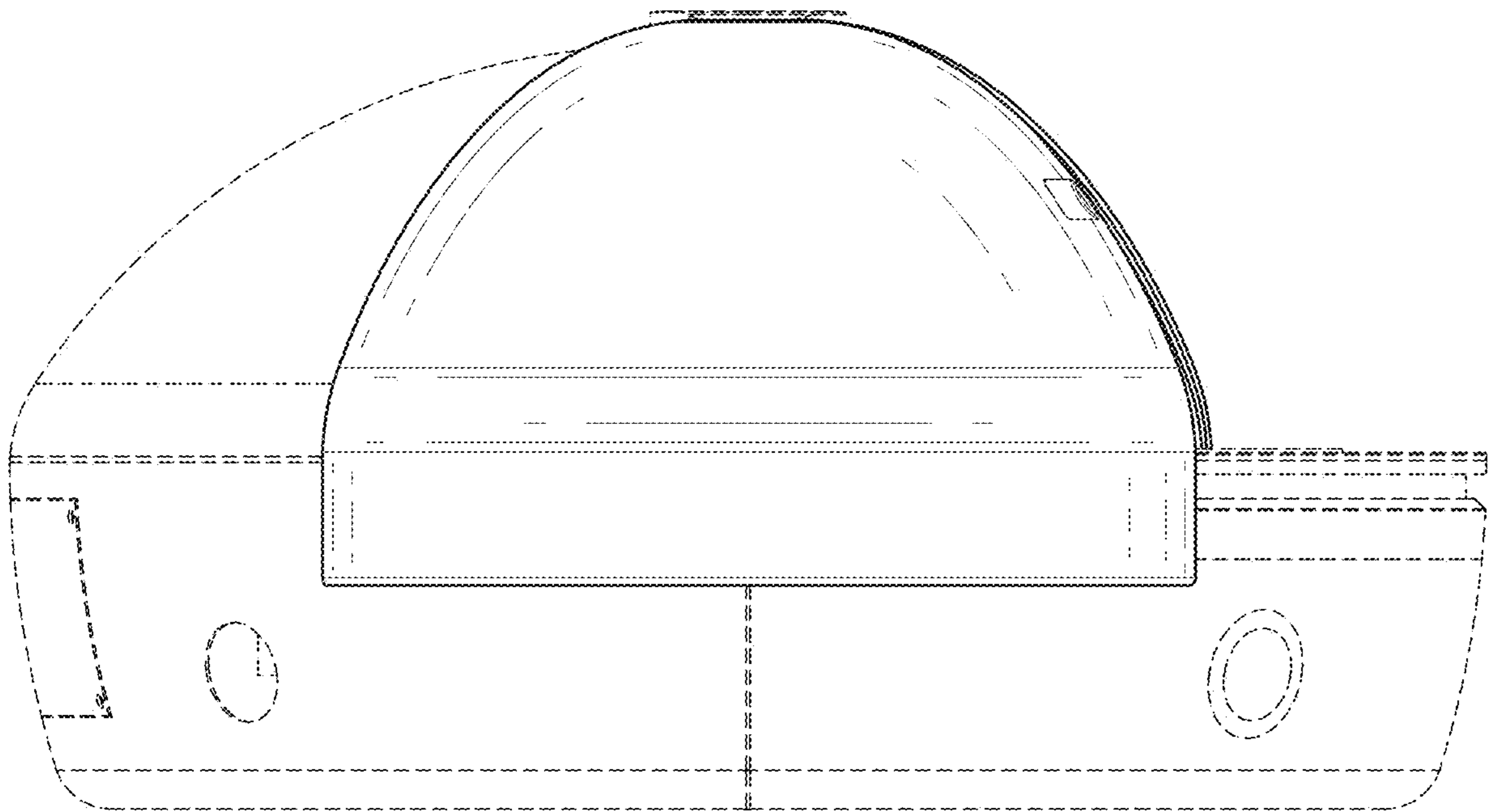


FIG. 6

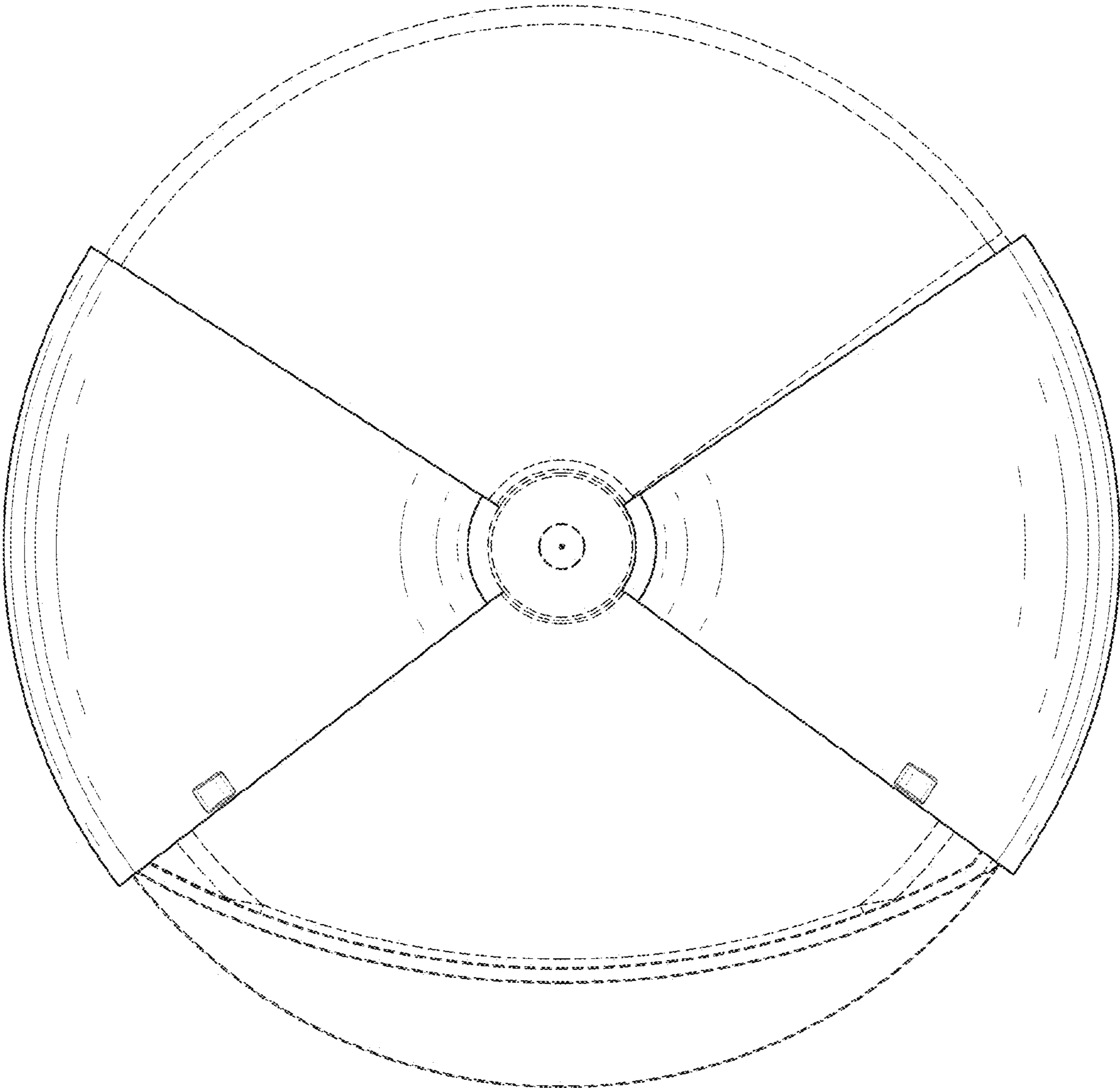


FIG. 7

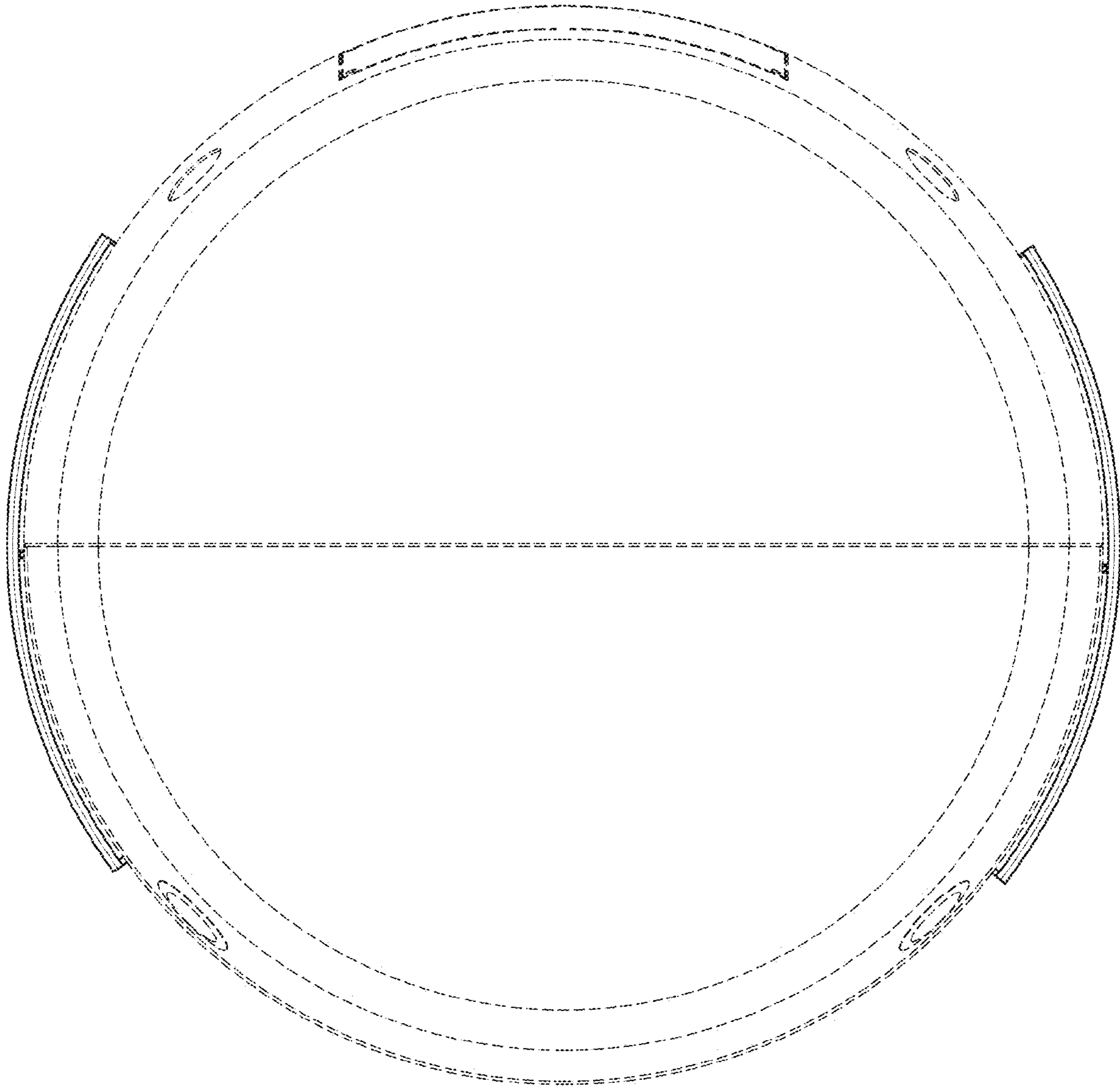


FIG. 8