



US00D979774S

(12) **United States Design Patent**
Zhu

(10) **Patent No.:** **US D979,774 S**

(45) **Date of Patent:** **** Feb. 28, 2023**

(54) **TEETHING TOY SET**

(71) Applicant: **Xinmin Pi**, Qianjiang (CN)

(72) Inventor: **Chunhua Zhu**, Dongguan (CN)

(73) Assignee: **Xinmin Pi**, Qianjiang (CN)

(**) Term: **15 Years**

(21) Appl. No.: **29/820,871**

(22) Filed: **Dec. 24, 2021**

(51) **LOC (14) Cl.** **24-04**

(52) **U.S. Cl.**
USPC **D24/195**

(58) **Field of Classification Search**

USPC D24/193, 194, 195, 214; D30/160;
D1/104, 106, 107, 108, 110, 115, 116;
D4/104, 107; D29/113, 118, 123
CPC A61J 17/02; A61J 9/005; A46B 5/023;
A46B 15/0097

See application file for complete search history.

(56) **References Cited**

U.S. PATENT DOCUMENTS

3,736,696	A *	6/1973	Laird	A63H 33/04 446/97
D269,020	S *	5/1983	Appel	D21/532
D277,119	S *	1/1985	Paczko	D21/532
D544,763	S	6/2007	Hine		
D565,738	S *	4/2008	Rohrig	D24/194
D673,284	S *	12/2012	Lowsky	D24/214
D715,369	S	10/2014	Carmack		
D721,439	S	1/2015	Swartz		
D746,018	S *	12/2015	Axelrod	D1/199

(Continued)

OTHER PUBLICATIONS

“Sendr: Teething Tools Set”. Found online Aug. 12, 2022 at amazon.co.uk. Reference dated Dec. 17, 2021. Retrieved from <https://www.amazon.co.uk/Baby-Teething-Toys-Set-Silicone/dp/B09Z2PG6PJ/>.*

(Continued)

Primary Examiner — Kendra Leslie Hamilton

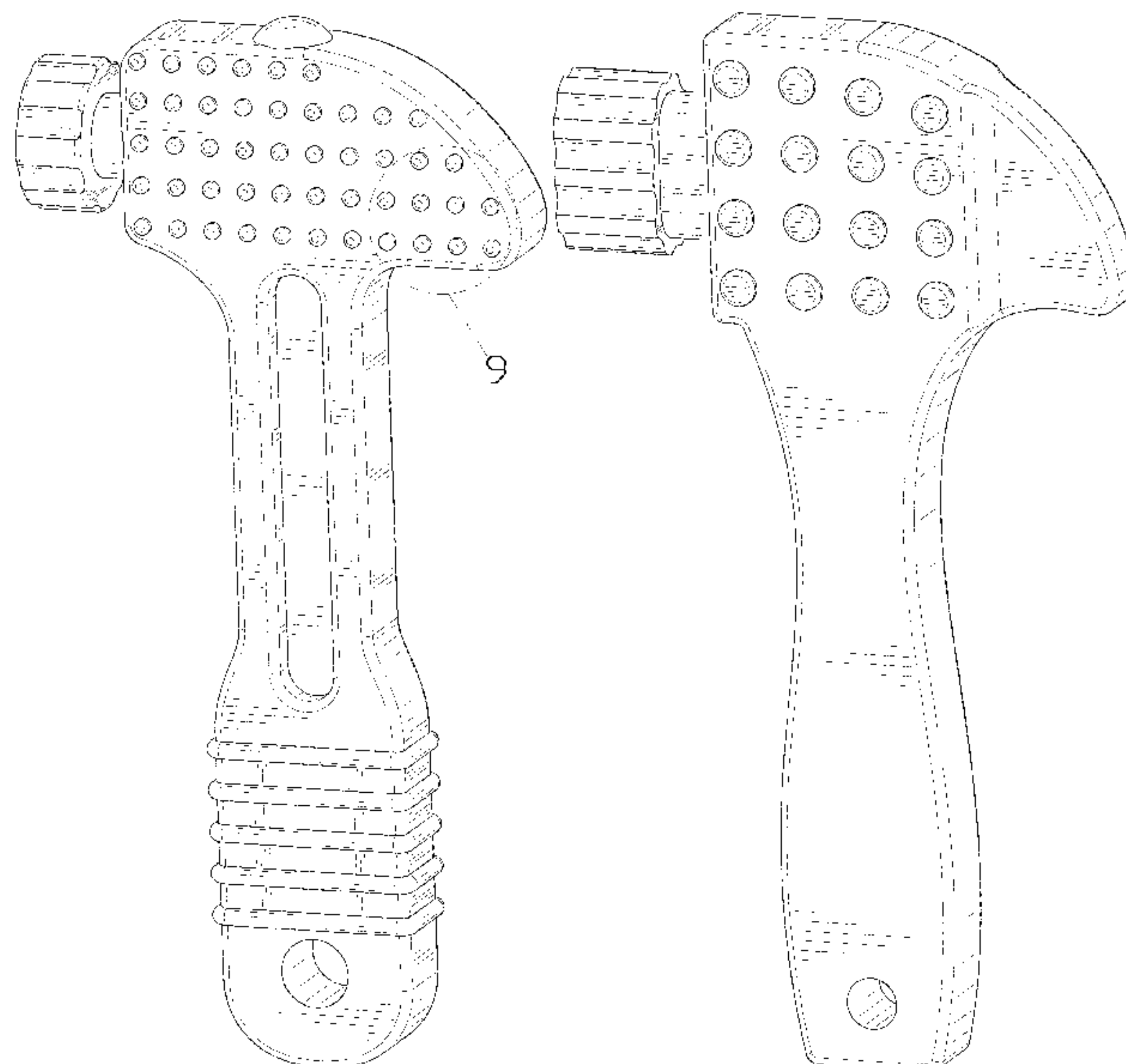
(57) **CLAIM**

The ornamental design for a teething toy set, as shown and described.

DESCRIPTION

FIG. 1 is a perspective view of a first teething toy of a teething toy set showing my new design, shown separately for ease of illustration;
 FIG. 2 is another perspective view thereof;
 FIG. 3 is a front elevational view thereof;
 FIG. 4 is a rear elevational view thereof;
 FIG. 5 is a left side elevational view thereof;
 FIG. 6 is a right side elevational view thereof;
 FIG. 7 is a top plan view thereof;
 FIG. 8 is a bottom plan view thereof;
 FIG. 9 is an enlarged, perspective view of detail “9”, identified in FIG. 1;
 FIG. 10 is a perspective view of a second teething toy of the teething toy set shown separately for ease of illustration;
 FIG. 11 is another perspective view thereof;
 FIG. 12 is a front elevational view thereof;
 FIG. 13 is a rear elevational view thereof;
 FIG. 14 is a left side elevational view thereof;
 FIG. 15 is a right side elevational view thereof;
 FIG. 16 is a top plan view thereof;
 FIG. 17 is a bottom plan view thereof; and,
 FIG. 18 is an enlarged, perspective view of detail “18”, identified in FIG. 10.
 The dot-dash broken lines represent boundaries of the enlarged portions and form no part of the claimed design.

1 Claim, 18 Drawing Sheets



(56)

References Cited

U.S. PATENT DOCUMENTS

D755,983	S	5/2016	Huang	
D895,819	S *	9/2020	Douglas D24/195
D934,434	S *	10/2021	Schiavoni D24/194
D960,452	S	8/2022	Jiao	
2003/0236556	A1 *	12/2003	Dickerson A61J 17/02 606/235
2006/0102099	A1 *	5/2006	Edwards A01K 15/026 119/710
2009/0287247	A1 *	11/2009	Chipperson A61J 17/02 606/235
2014/0243895	A1 *	8/2014	Kellogg A61J 17/02 606/235
2019/0059328	A1 *	2/2019	Crane A01K 15/026

OTHER PUBLICATIONS

“BabyGum: Teething Tools”. Found online Sep. 13, 2022 at amazon.com. Reference dated Nov. 11, 2021. Retrieved from <https://www.amazon.com/BABYGUM-Teething-BPA-Free-Silicone-Textures/dp/B09HR3V8FN/>.*

“Haili: Tool Teethers”. Found online Sep. 12, 2022 at amazon.com. Reference dated Jan. 16, 2022. Retrieved from <https://www.amazon.com/Teething-Freezer-Silicone-Teether-Spanner/dp/B09NYB3YHQ/>.*

“Nibbling: Tool Teether Set”. Found online Apr. 12, 2022 at facebook.com. Reference dated Oct. 7, 2020. Retrieved from <https://www.facebook.com/nibBLING/photos/2186913784775228/>.*

* cited by examiner

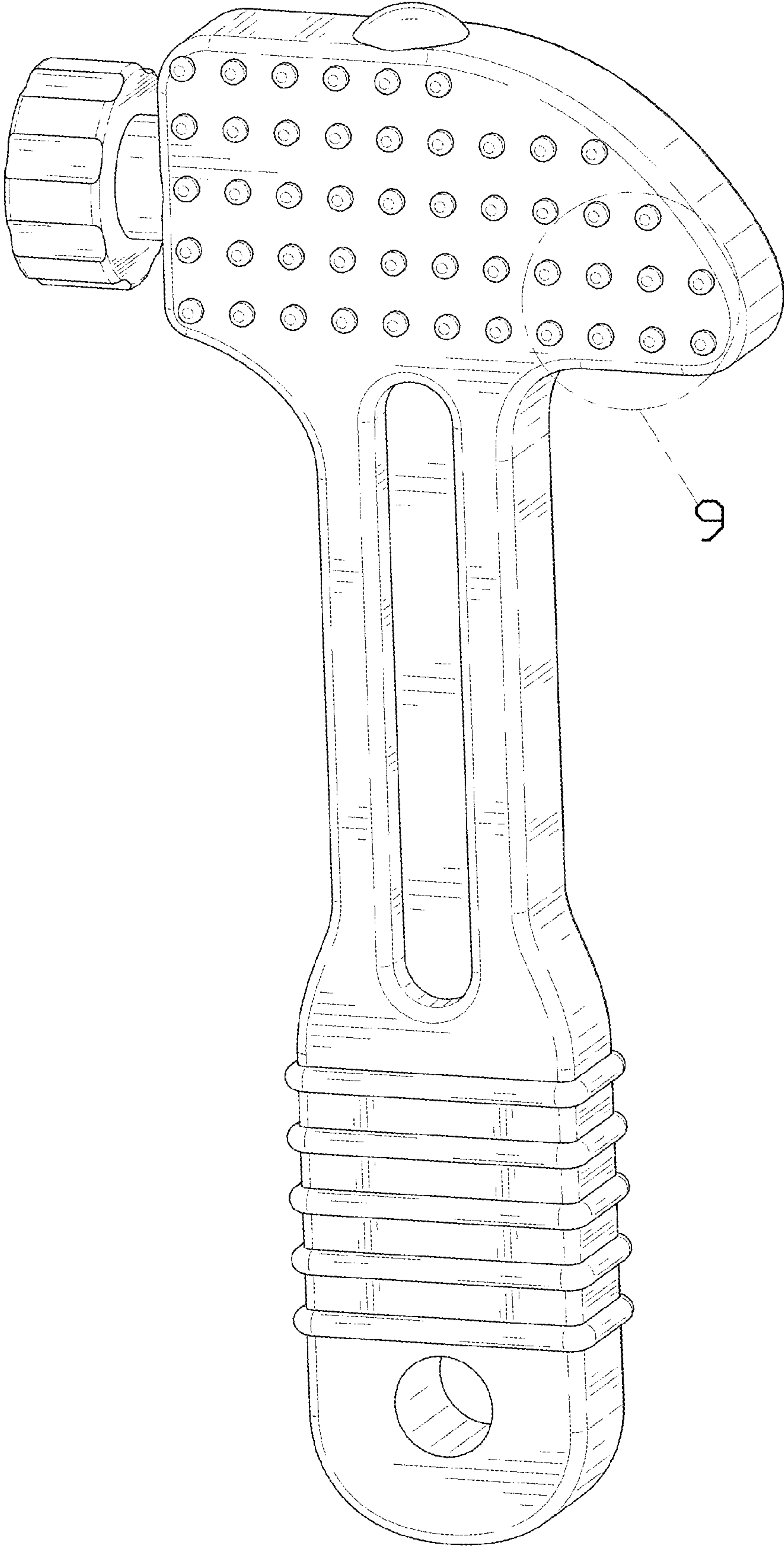


FIG. 1

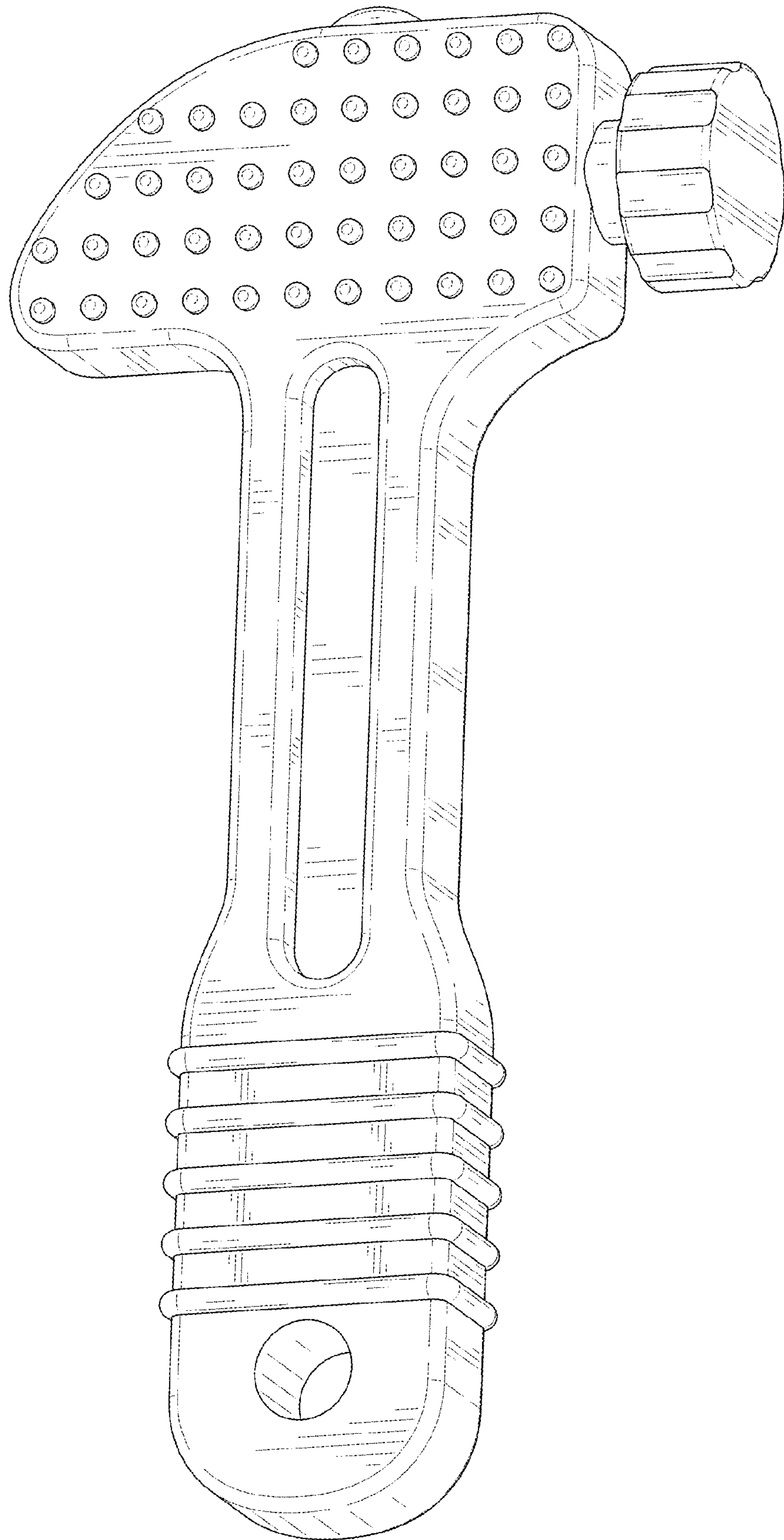


FIG. 2

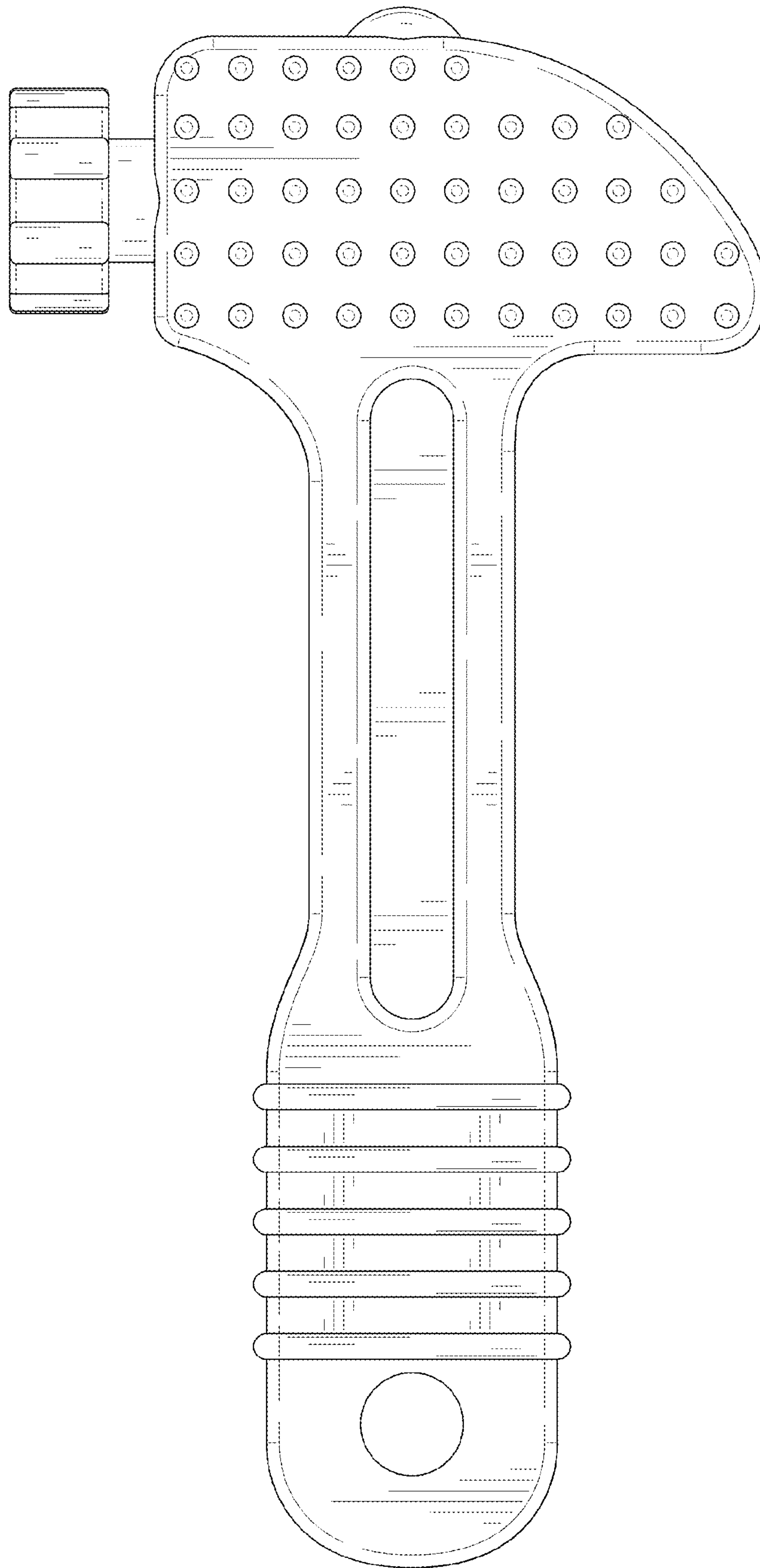


FIG. 3

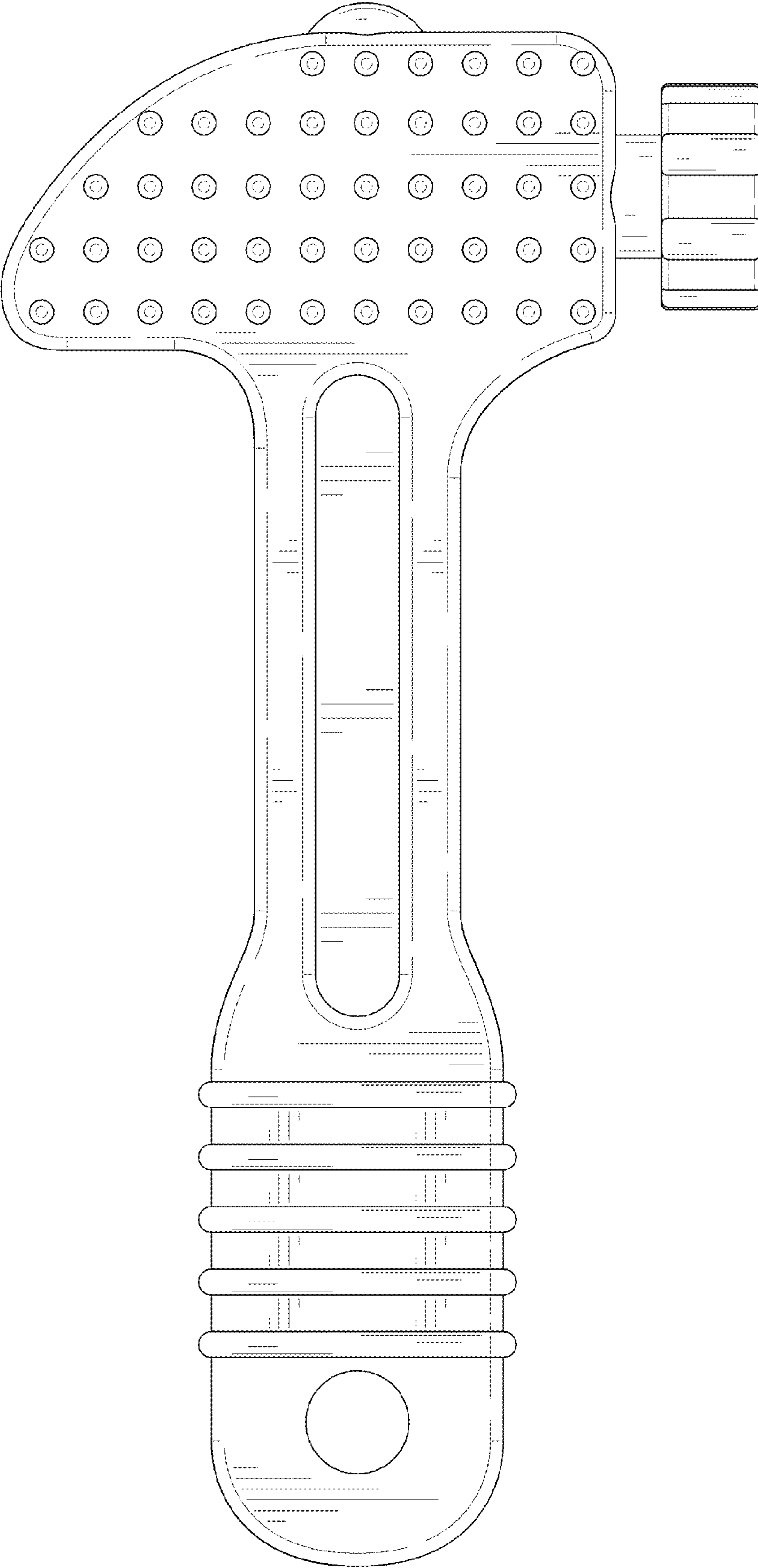


FIG. 4

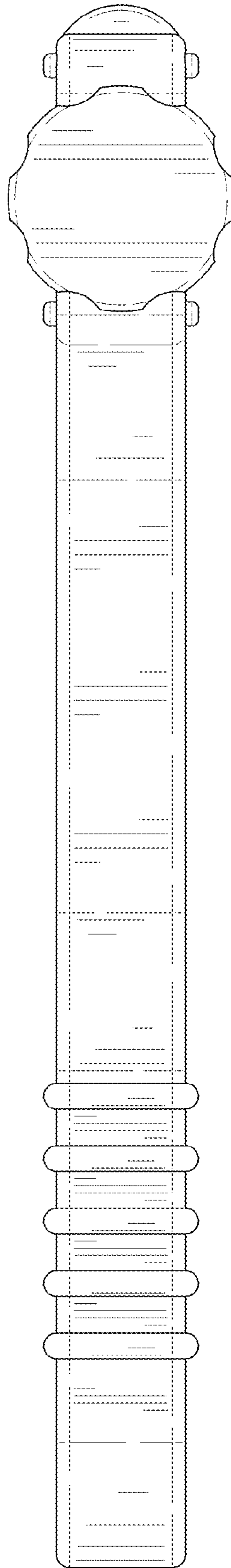


FIG. 5

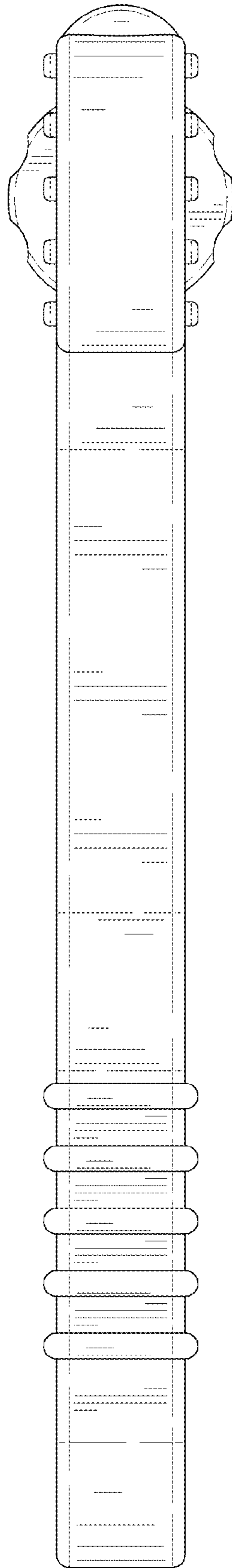


FIG. 6

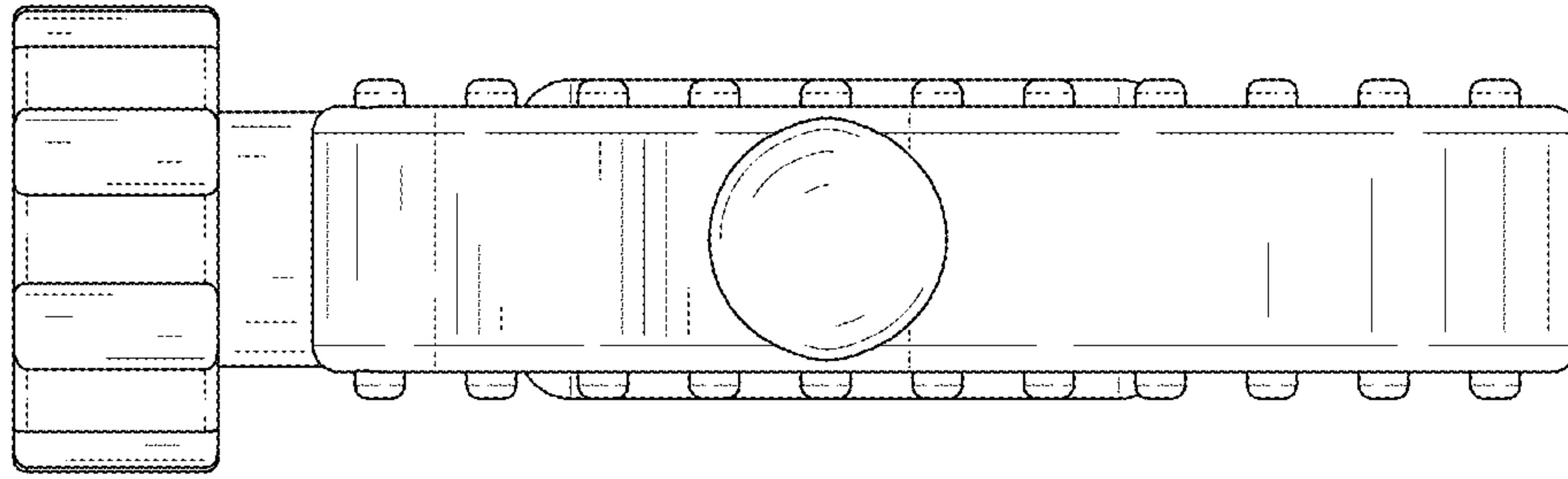


FIG. 7

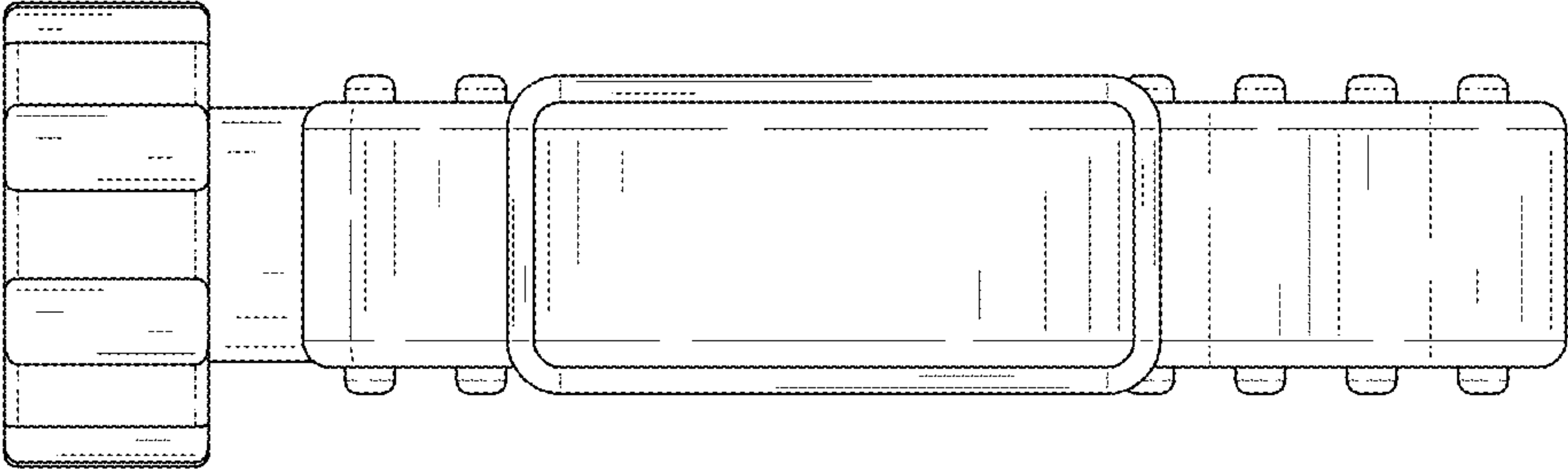


FIG. 8

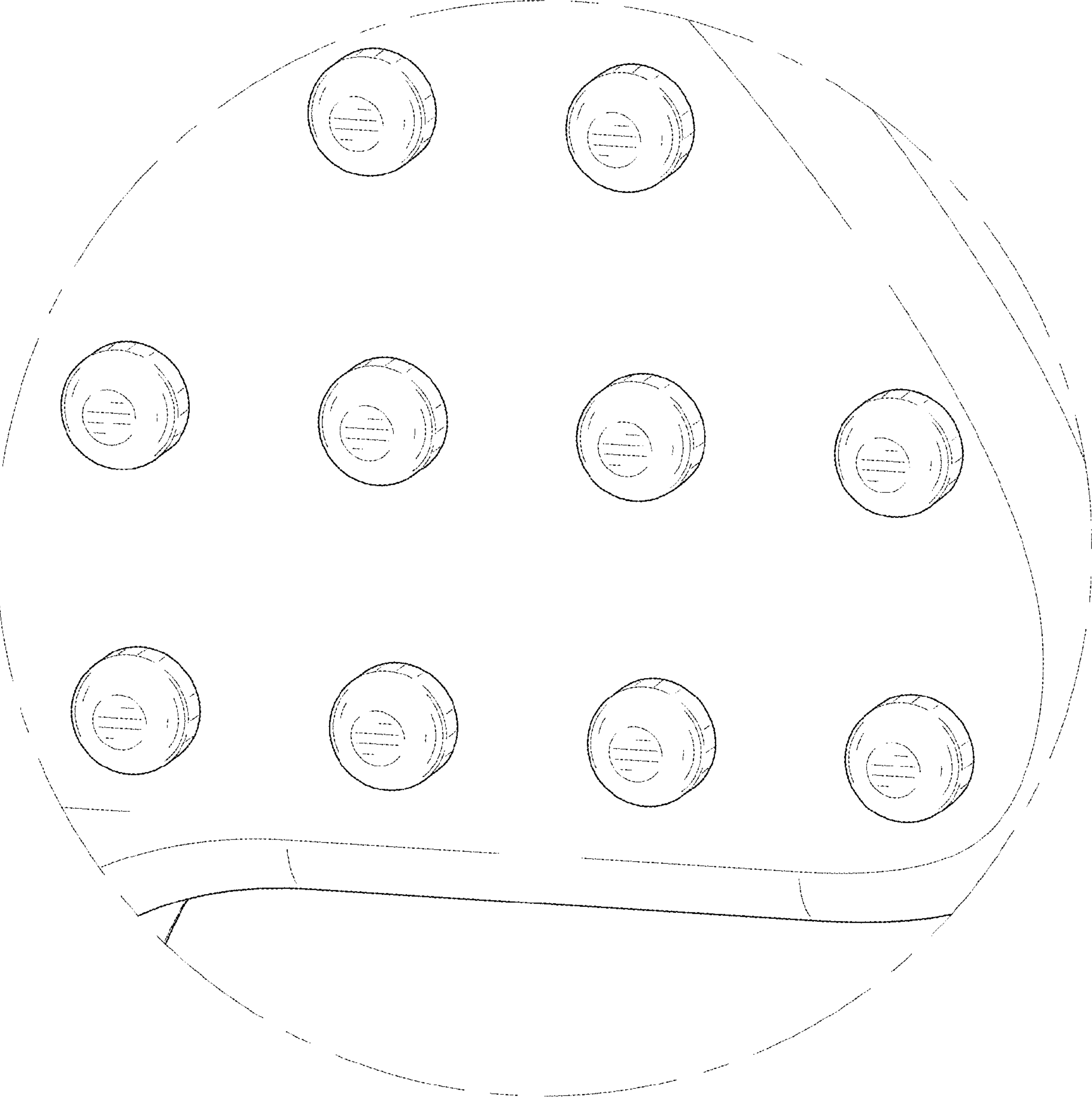


FIG. 9

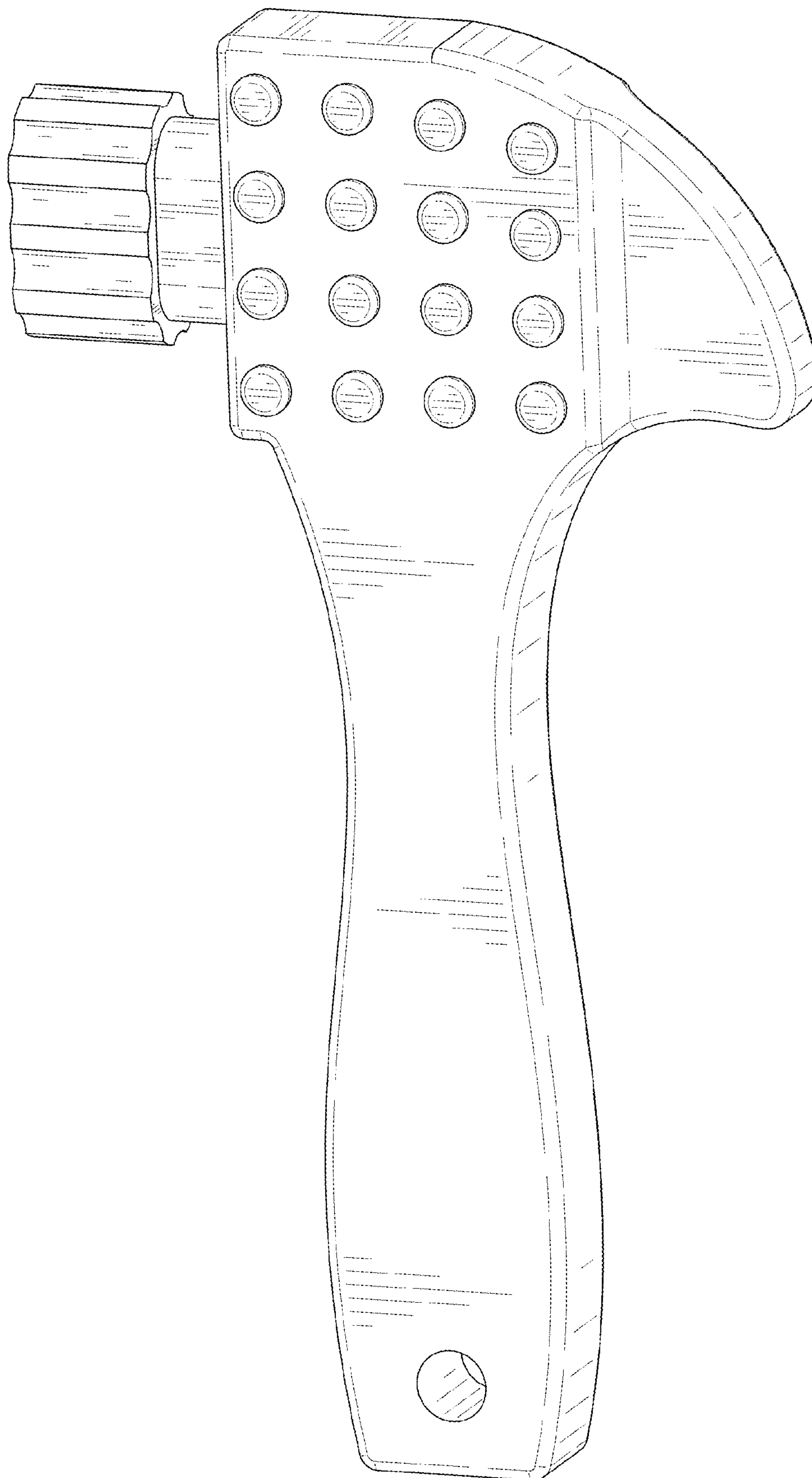


FIG. 10

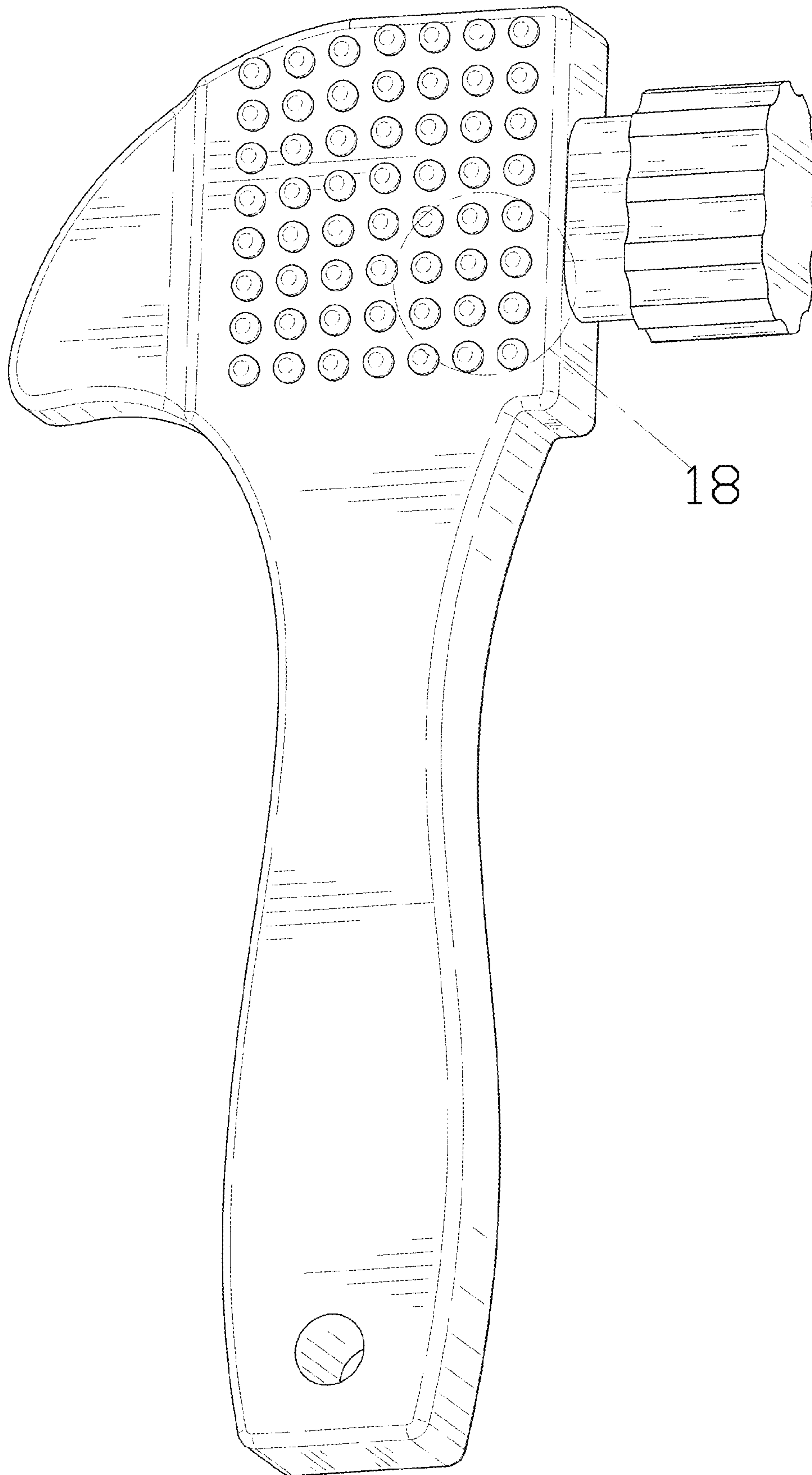


FIG. 11

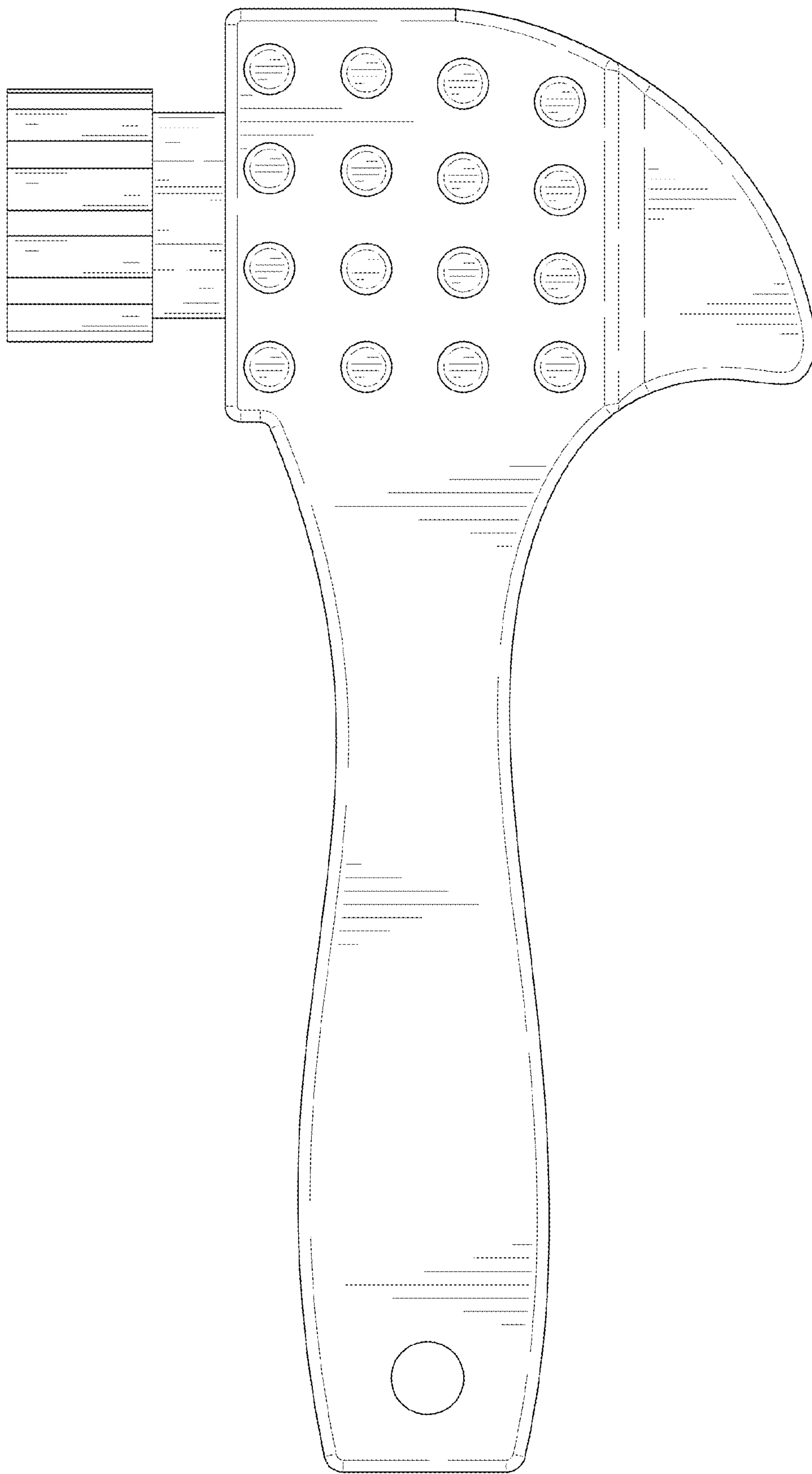


FIG. 12

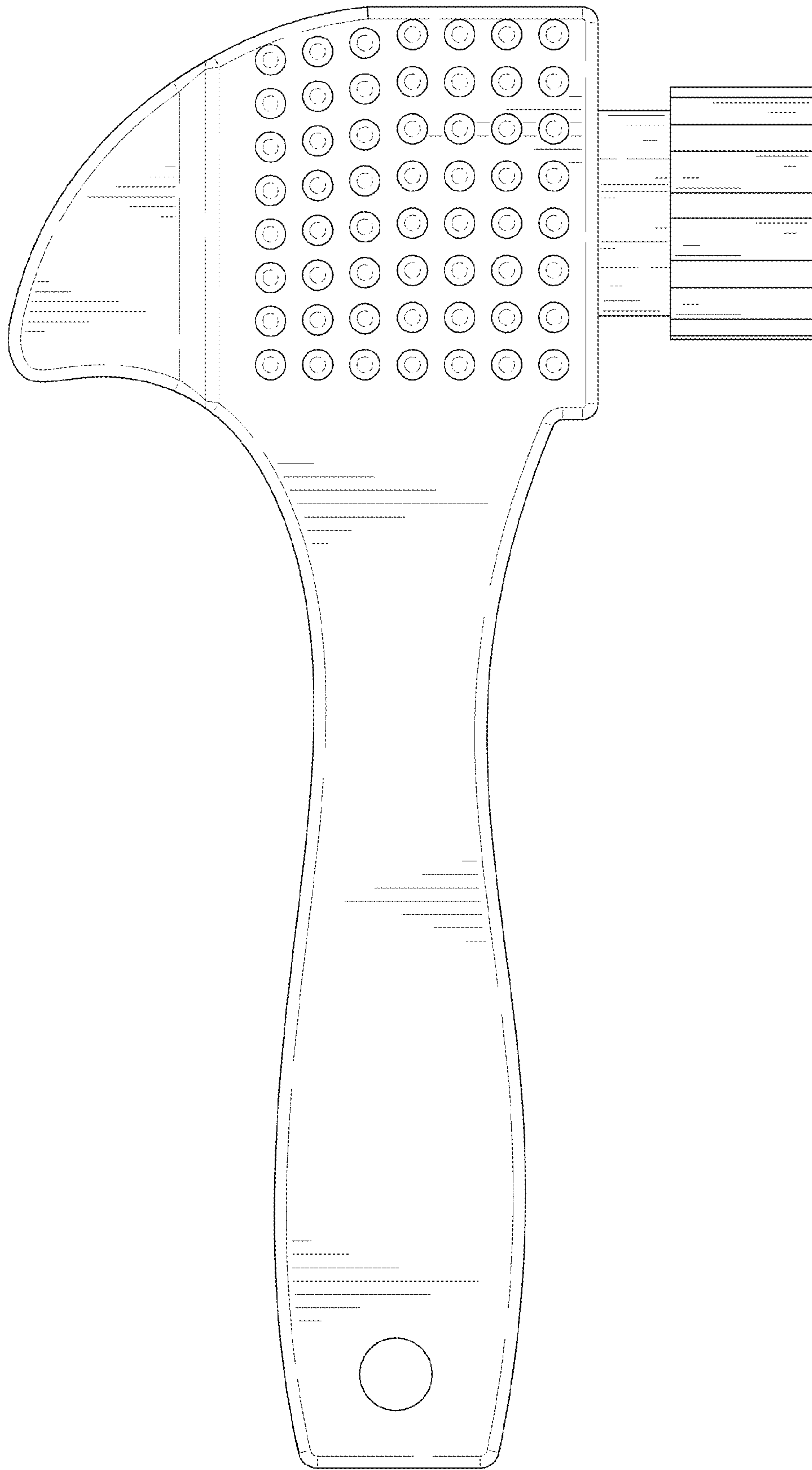


FIG. 13

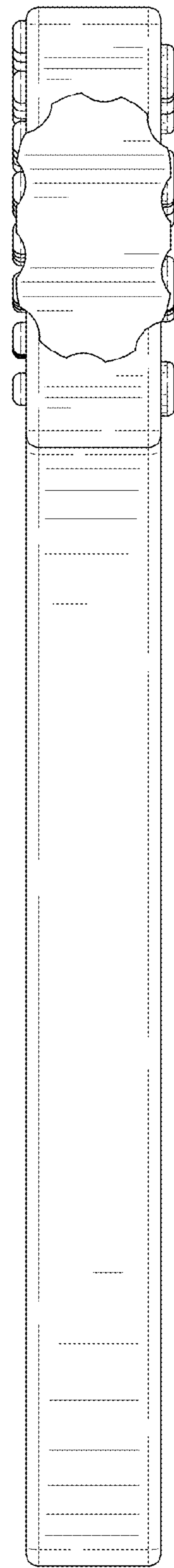


FIG. 14

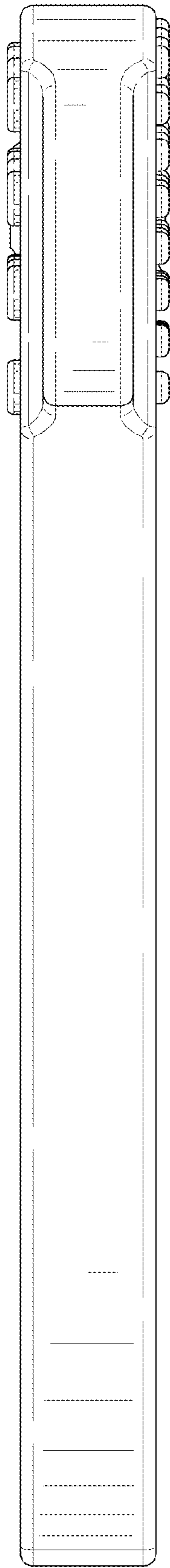


FIG. 15

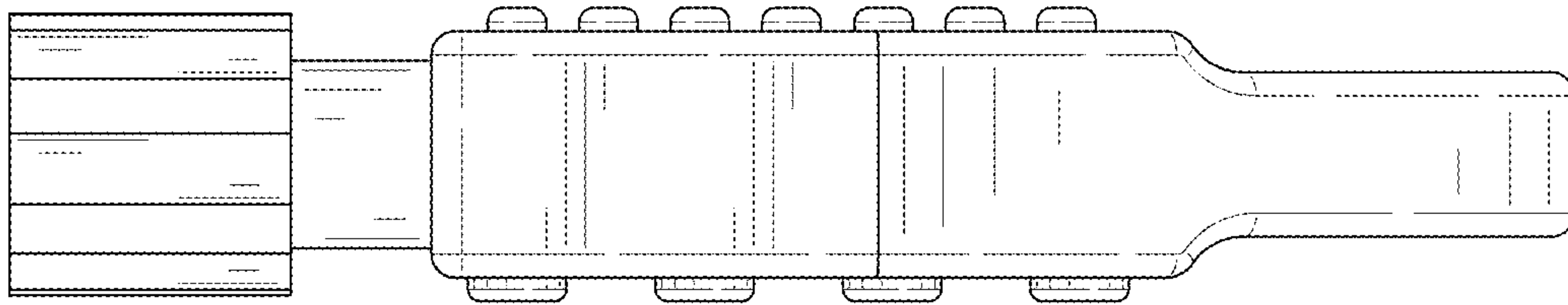


FIG. 16

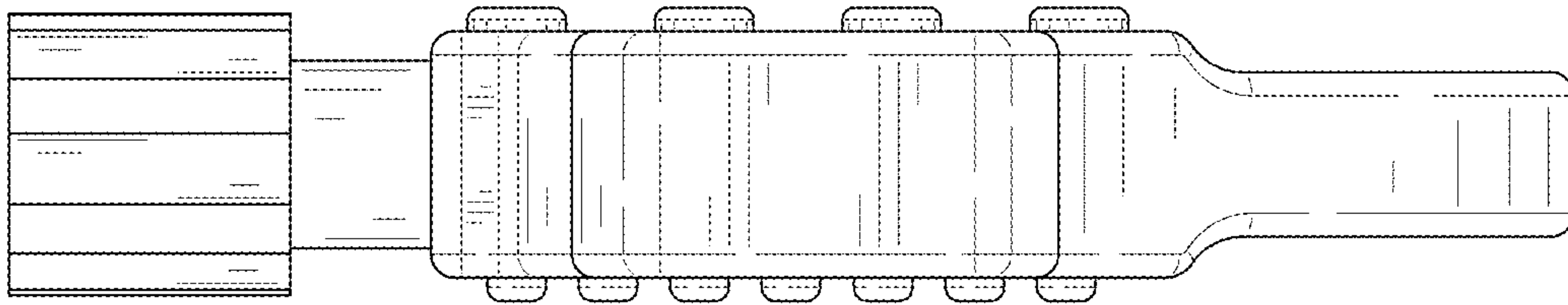


FIG. 17

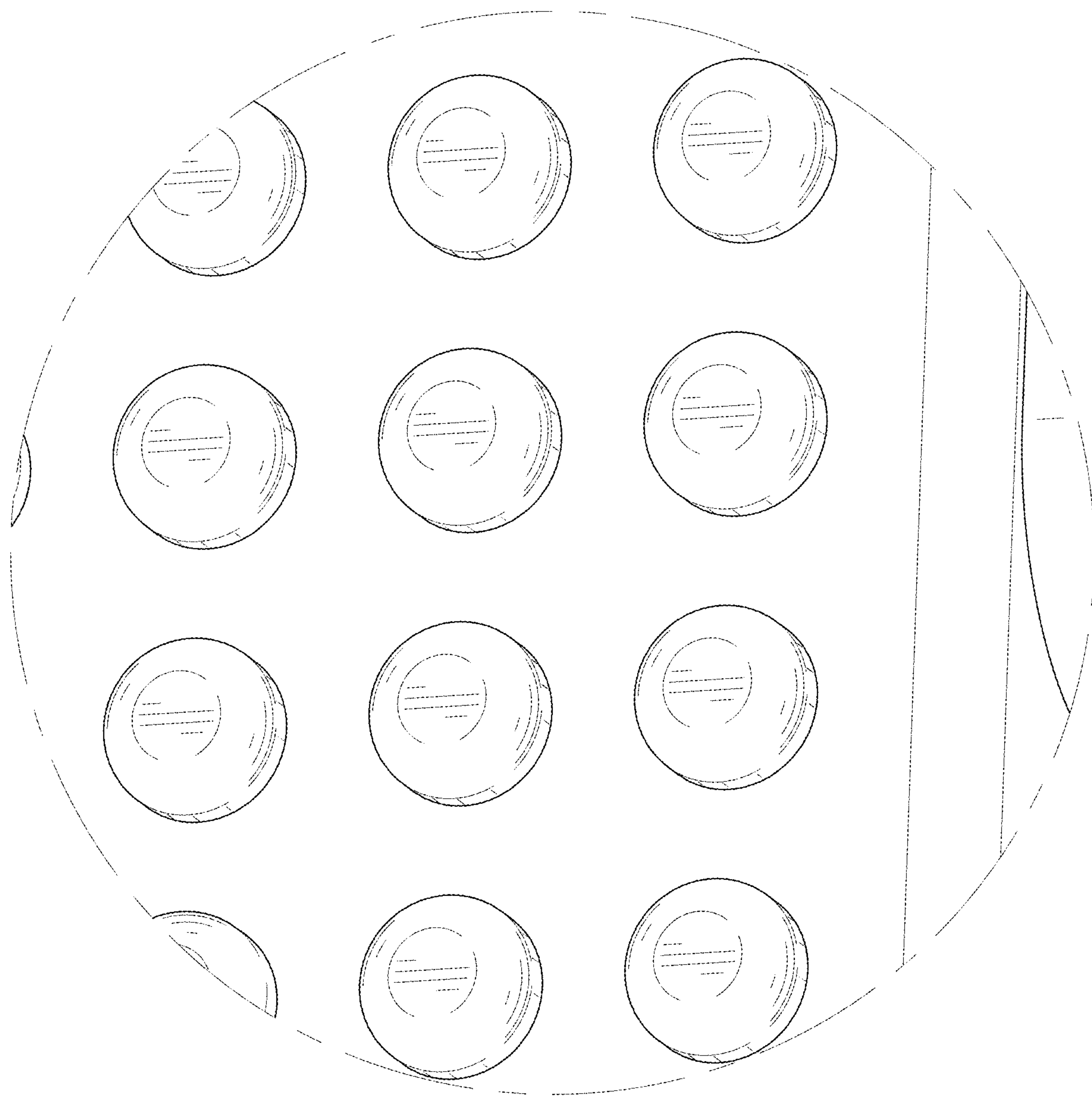


FIG. 18