



US00D979771S

(12) **United States Design Patent** (10) **Patent No.:** **US D979,771 S**  
**Lo** (45) **Date of Patent:** **\*\* Feb. 28, 2023**

(54) **REHABILITATION SHOE**  
(71) Applicant: **FUNG LEAD MEDICAL AND SPORTS CO., LTD.**, Nantou County (TW)  
(72) Inventor: **Szu-Chi Lo**, Nantou County (TW)  
(73) Assignee: **FUNG LEAD MEDICAL AND SPORTS CO., LTD.**, Nantou County (TW)  
(\*\*) Term: **15 Years**  
(21) Appl. No.: **29/703,659**  
(22) Filed: **Aug. 29, 2019**  
(51) **LOC (14) Cl.** ..... **24-04**  
(52) **U.S. Cl.**  
USPC ..... **D24/192**  
(58) **Field of Classification Search**  
USPC ..... D24/190, 192  
CPC ..... A61F 5/0102; A61F 5/0111; A61F 5/012  
See application file for complete search history.

2007/0282230 A1\* 12/2007 Valderrabano ..... A61H 9/0092  
601/152  
2008/0269656 A1\* 10/2008 Arnold ..... A61F 5/0195  
602/23  
2009/0287127 A1\* 11/2009 Hu ..... A61F 5/0111  
602/27  
2010/0100020 A1\* 4/2010 Fout ..... A61F 5/0195  
602/23  
2011/0301521 A1\* 12/2011 Weissenbock ..... A61F 5/0102  
602/23  
2015/0088046 A1\* 3/2015 Walborn ..... A61F 5/0195  
602/27  
2016/0235573 A1\* 8/2016 Walborn ..... A61F 5/0195  
2020/0360170 A1\* 11/2020 Giuntoli ..... A61F 5/0195  
2022/0151812 A1\* 5/2022 Gunnsteinsson ..... A61F 5/012

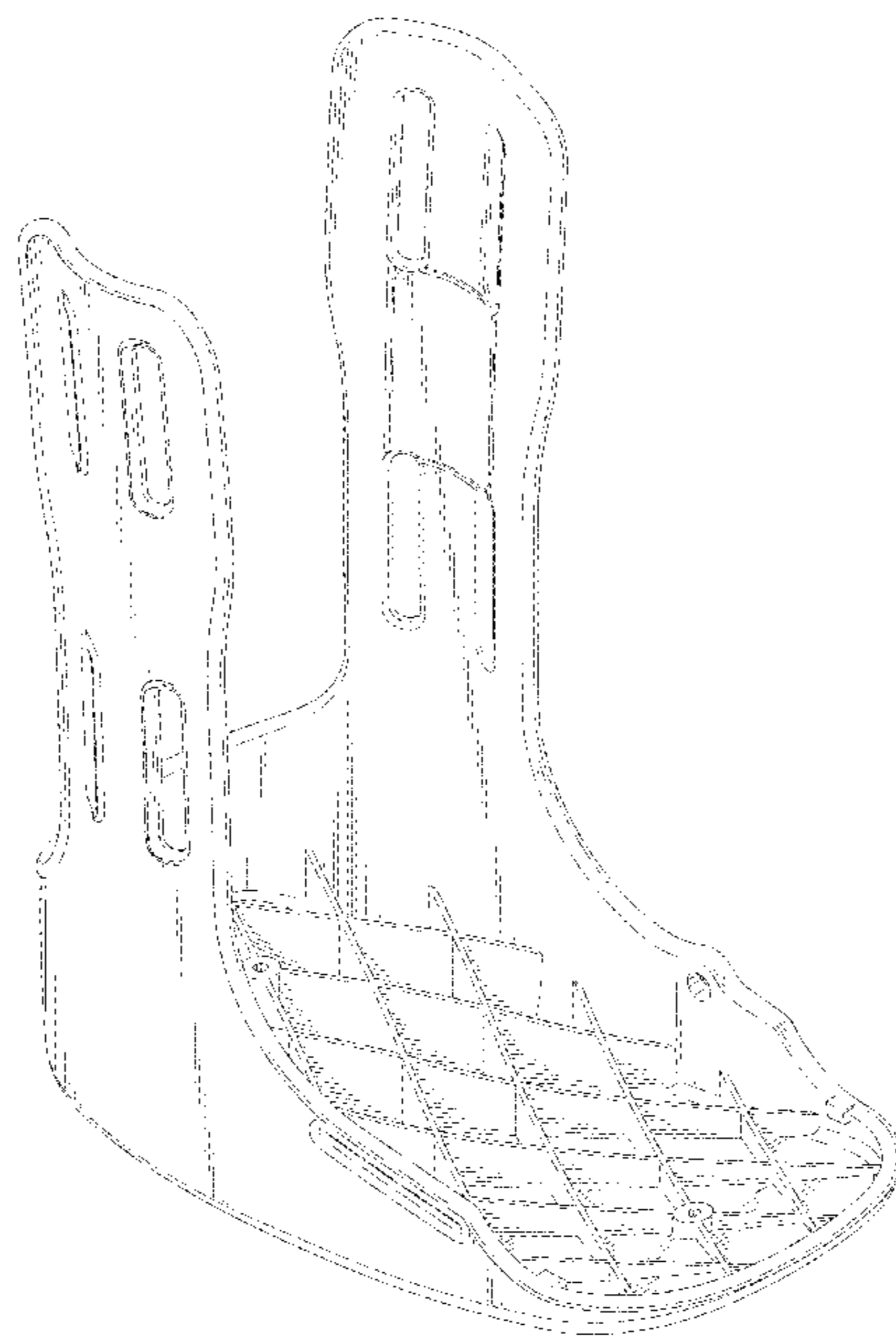
\* cited by examiner  
*Primary Examiner* — Kevin K Rudzinski  
*Assistant Examiner* — Clare Ann Gannon  
(74) *Attorney, Agent, or Firm* — Bruce Stone LLP;  
Joseph A. Bruce

(57) **CLAIM**  
The ornamental design for rehabilitation shoe, as shown and described.

(56) **References Cited**  
U.S. PATENT DOCUMENTS  
4,572,169 A \* 2/1986 Mauldin ..... A61F 5/0111  
602/27  
5,078,128 A \* 1/1992 Grim ..... A61F 5/0127  
602/23  
D473,654 S \* 4/2003 Iglesias ..... A61H 9/0092  
D24/192  
D519,211 S \* 4/2006 Doty ..... D24/192  
D703,335 S \* 4/2014 Bird ..... D24/192  
10,058,143 B2\* 8/2018 Walborn ..... A43B 13/145  
10,391,211 B2\* 8/2019 Walborn ..... A61M 1/90  
D938,050 S \* 12/2021 Lu ..... D24/192  
2005/0171461 A1\* 8/2005 Pick ..... A61F 5/012  
602/27

**DESCRIPTION**  
FIG. 1 is a perspective view of rehabilitation shoe showing my new design;  
FIG. 2 is a front view thereof;  
FIG. 3 is a rear view thereof;  
FIG. 4 is a left side view thereof;  
FIG. 5 is a right side view thereof;  
FIG. 6 is a top plan view thereof;  
FIG. 7 is a bottom plan view thereof; and,  
FIG. 8 is another perspective view thereof taken from alternative position.

**1 Claim, 7 Drawing Sheets**



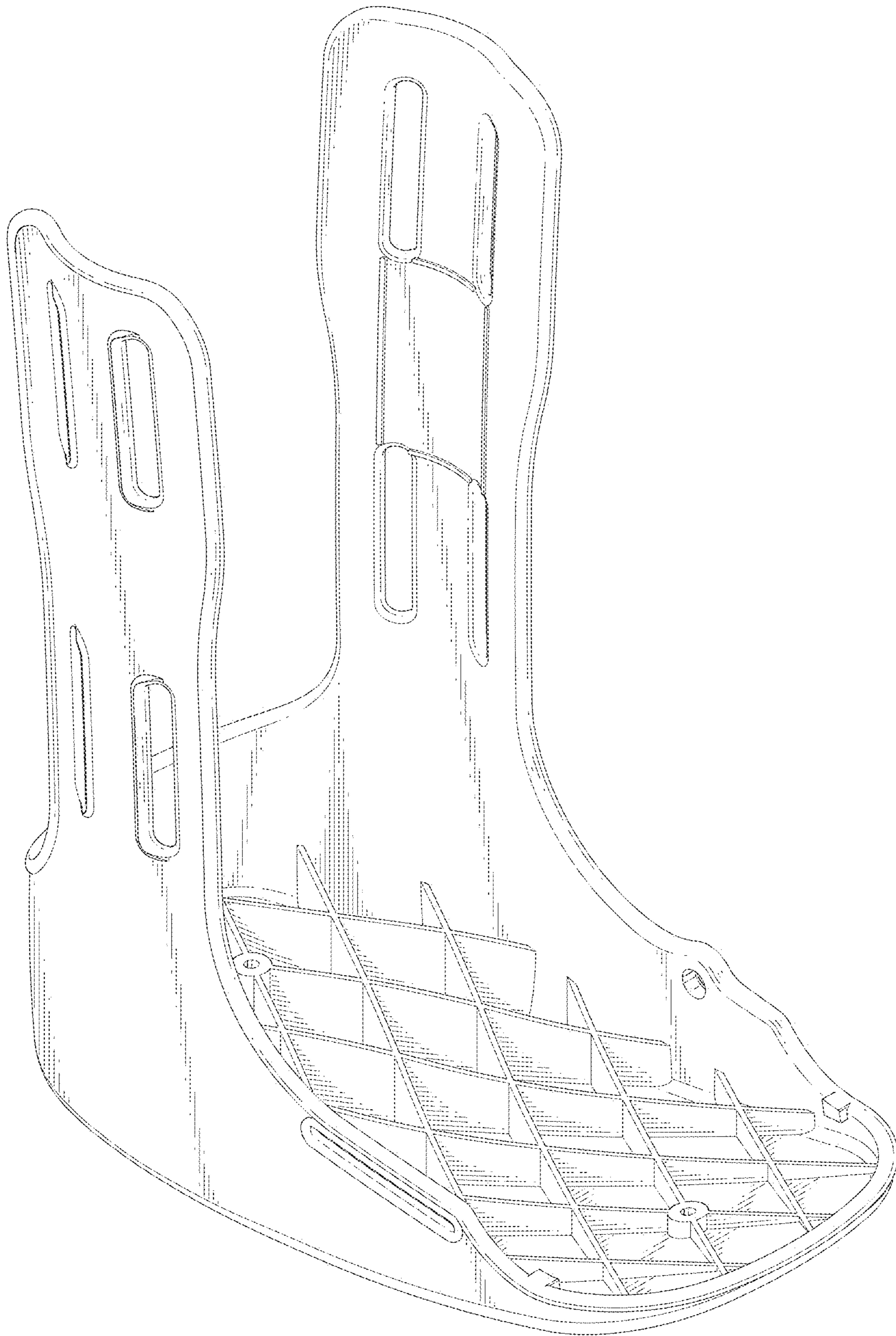


FIG. 1

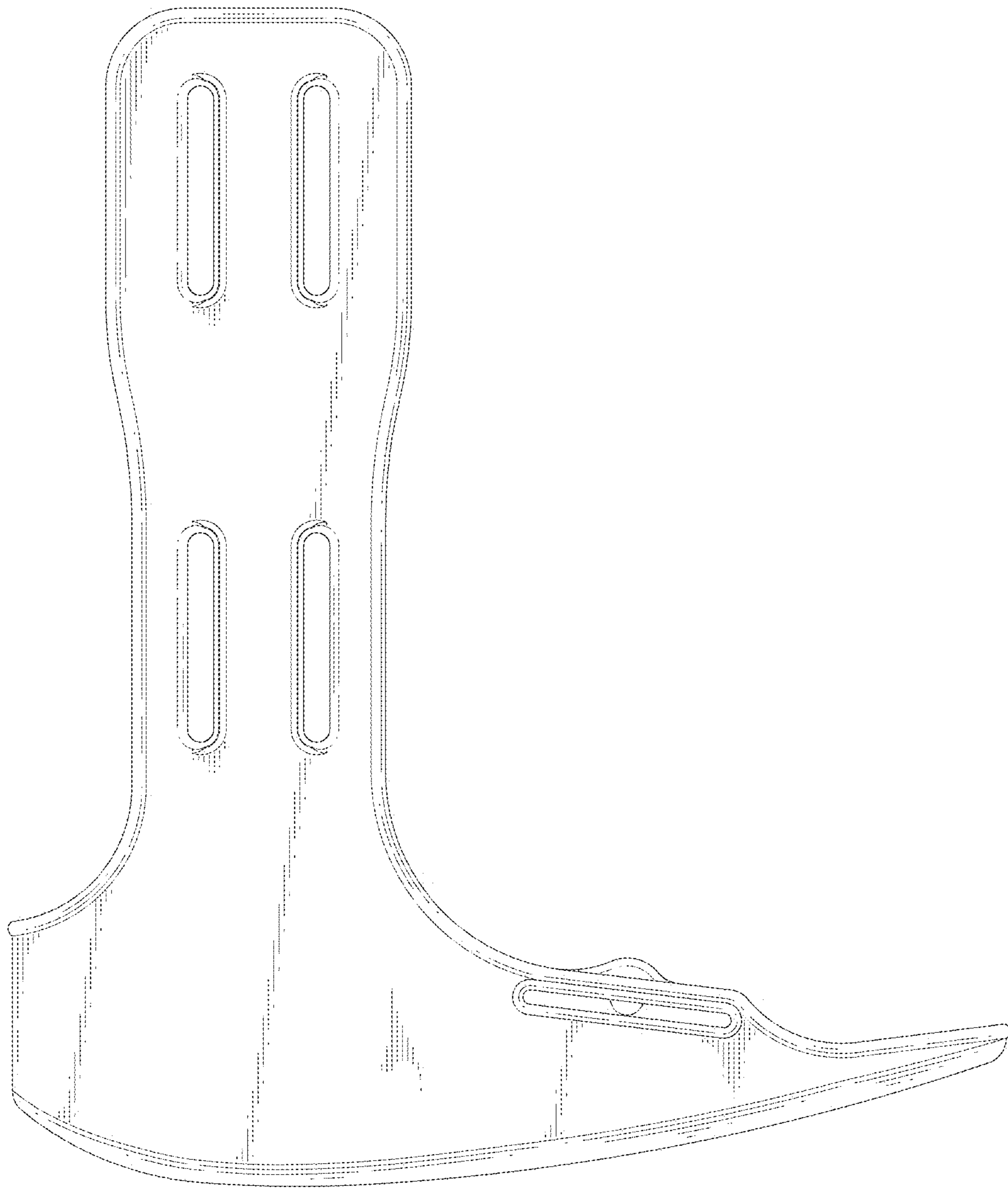


FIG.2

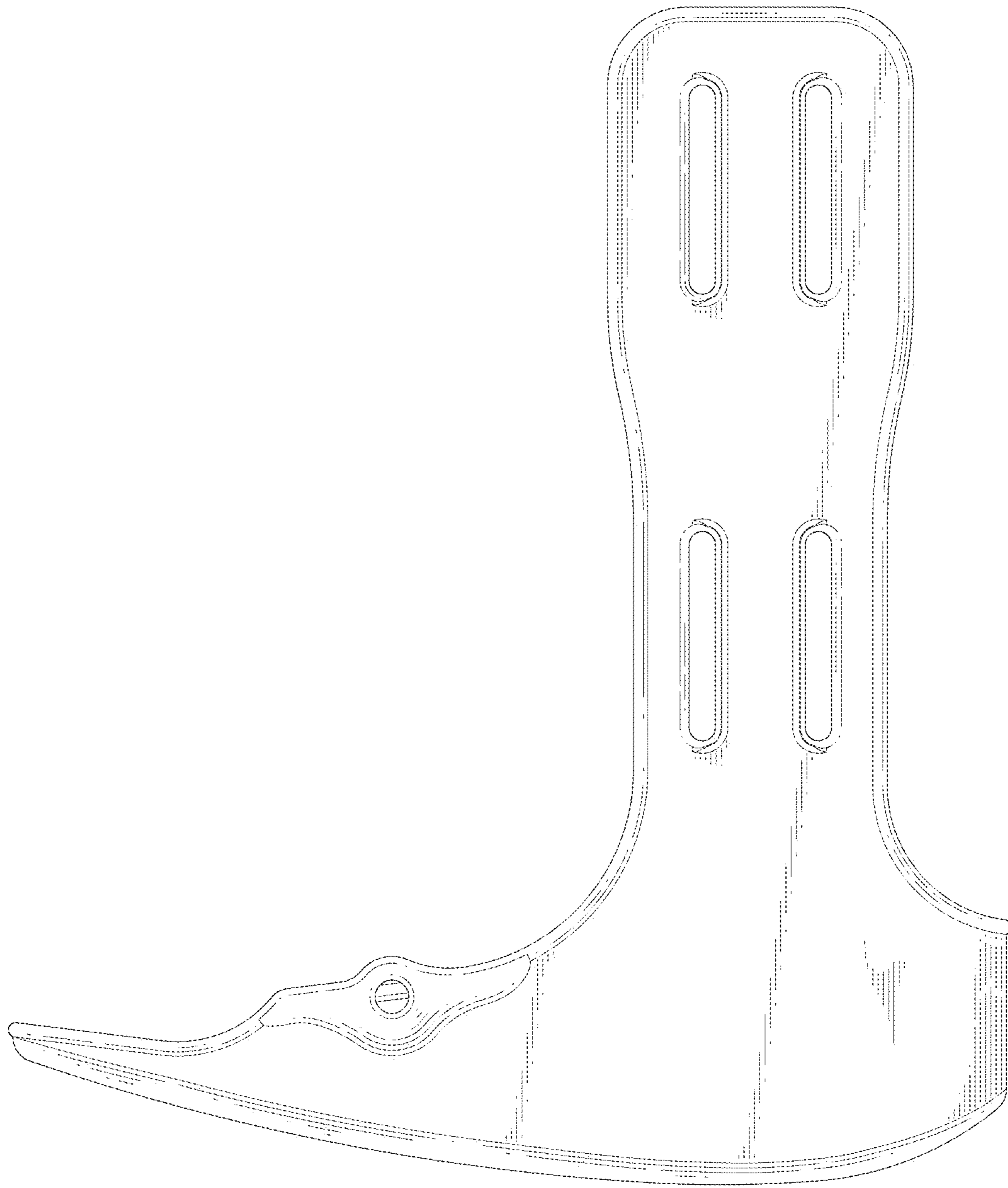


FIG.3

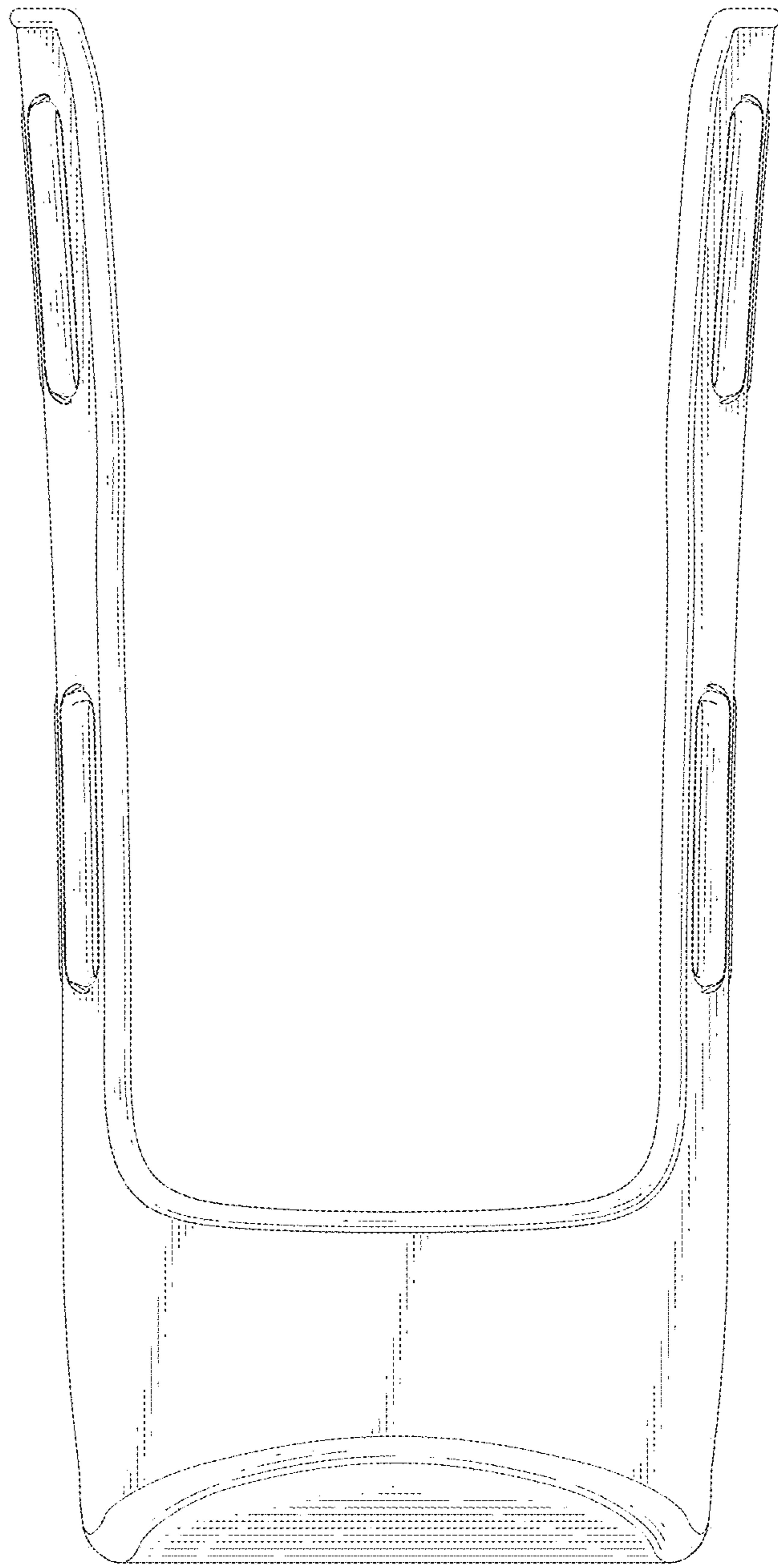


FIG.4

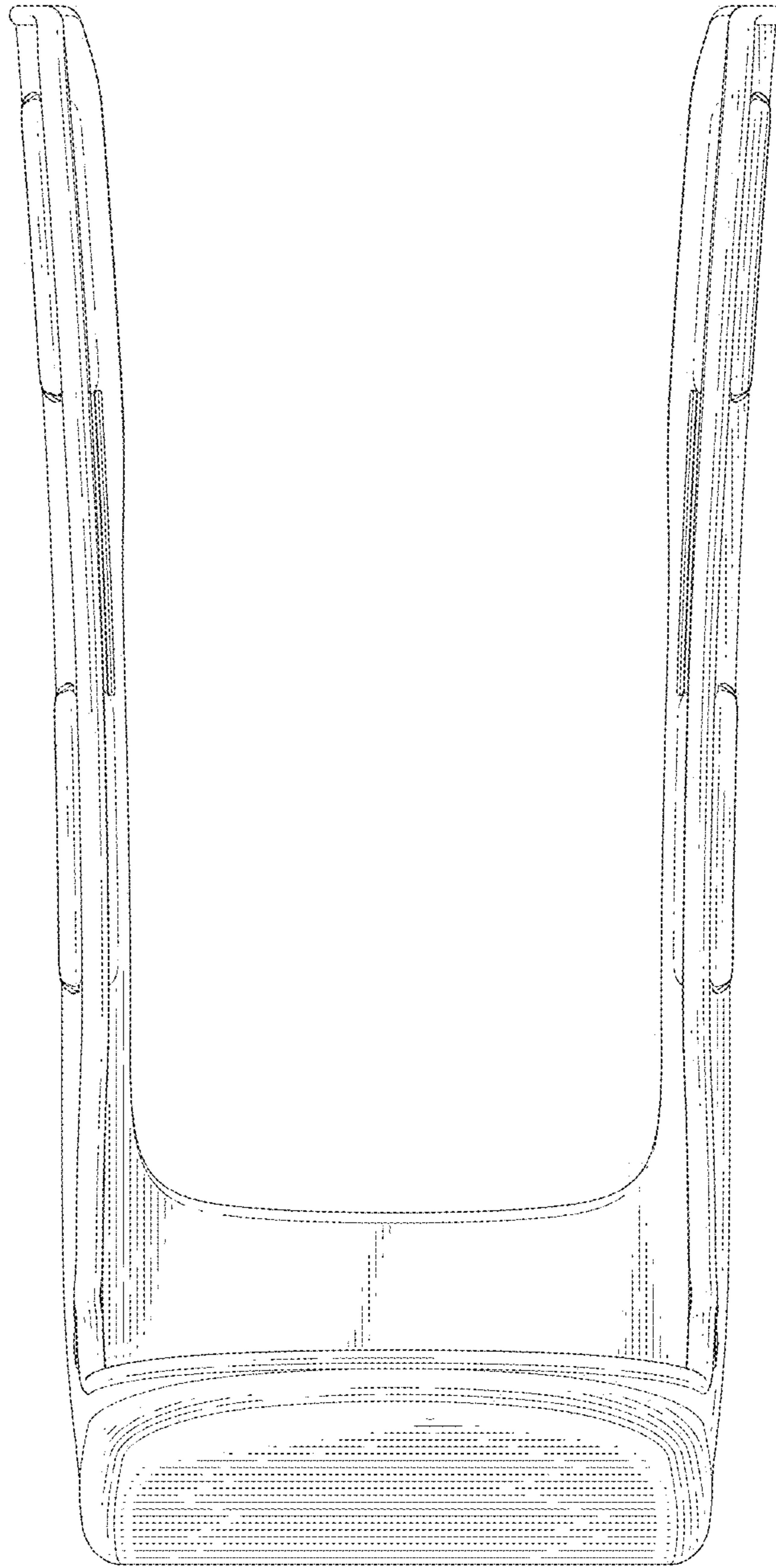


FIG. 5

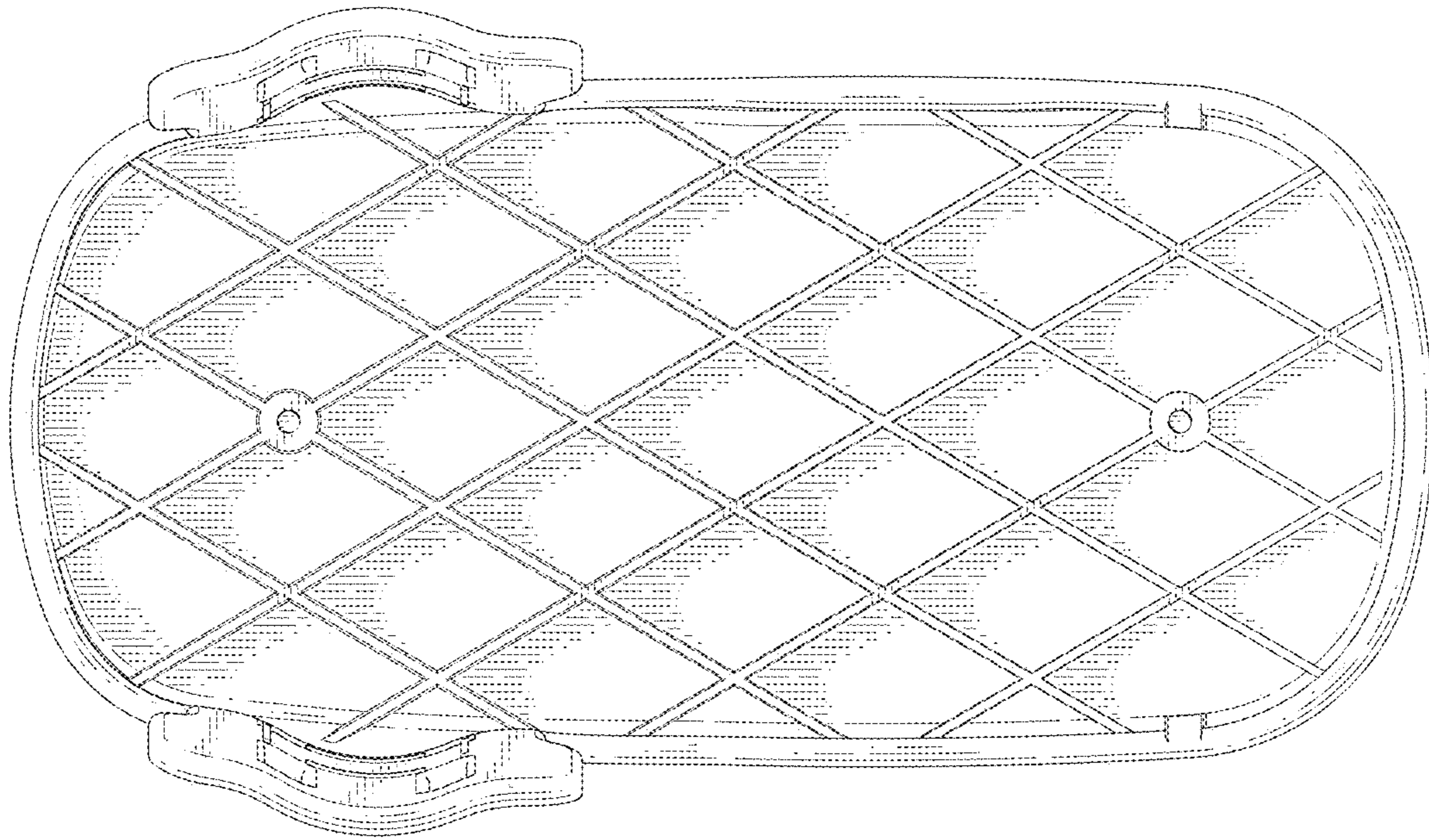


FIG.6

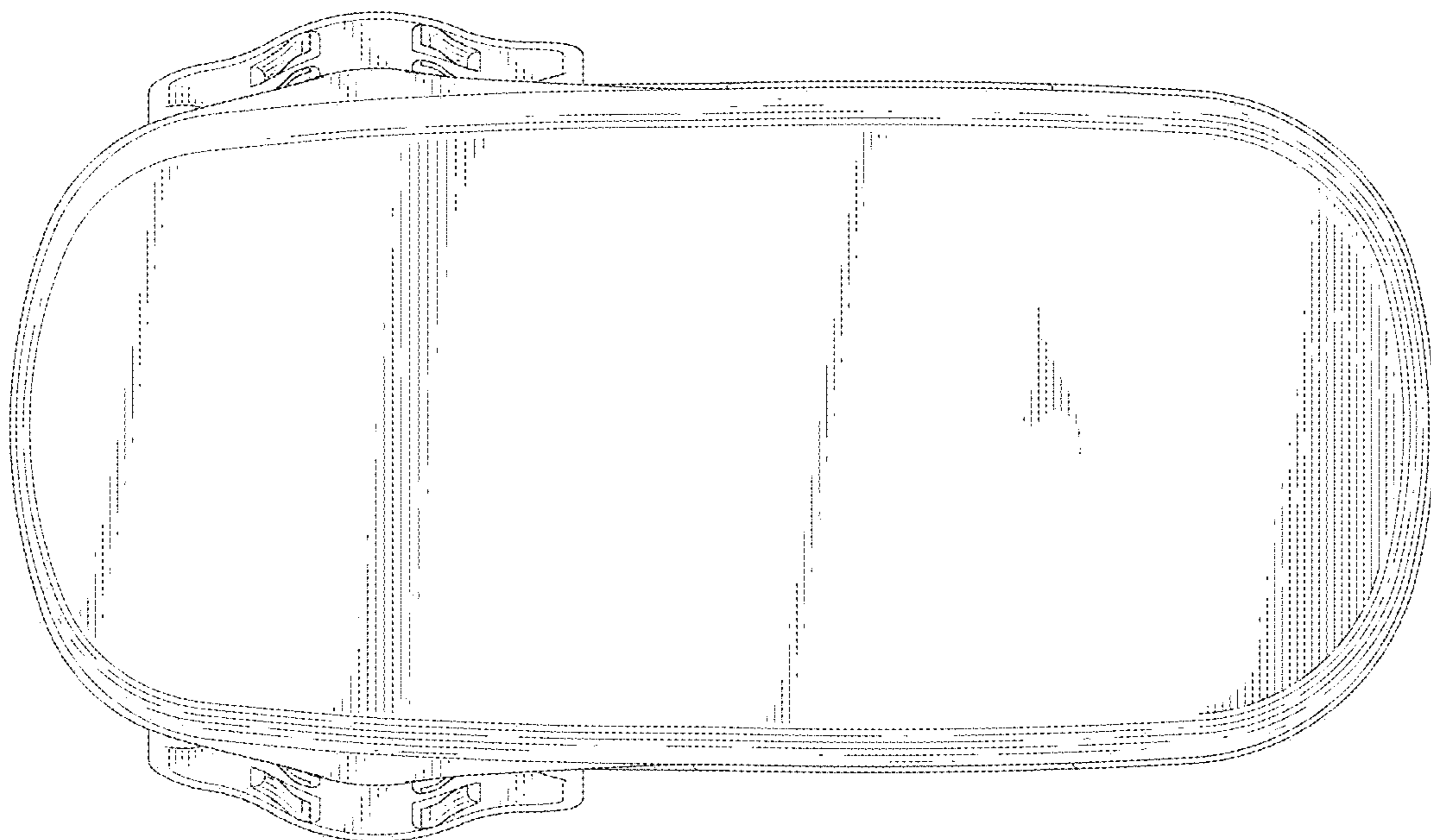


FIG.7

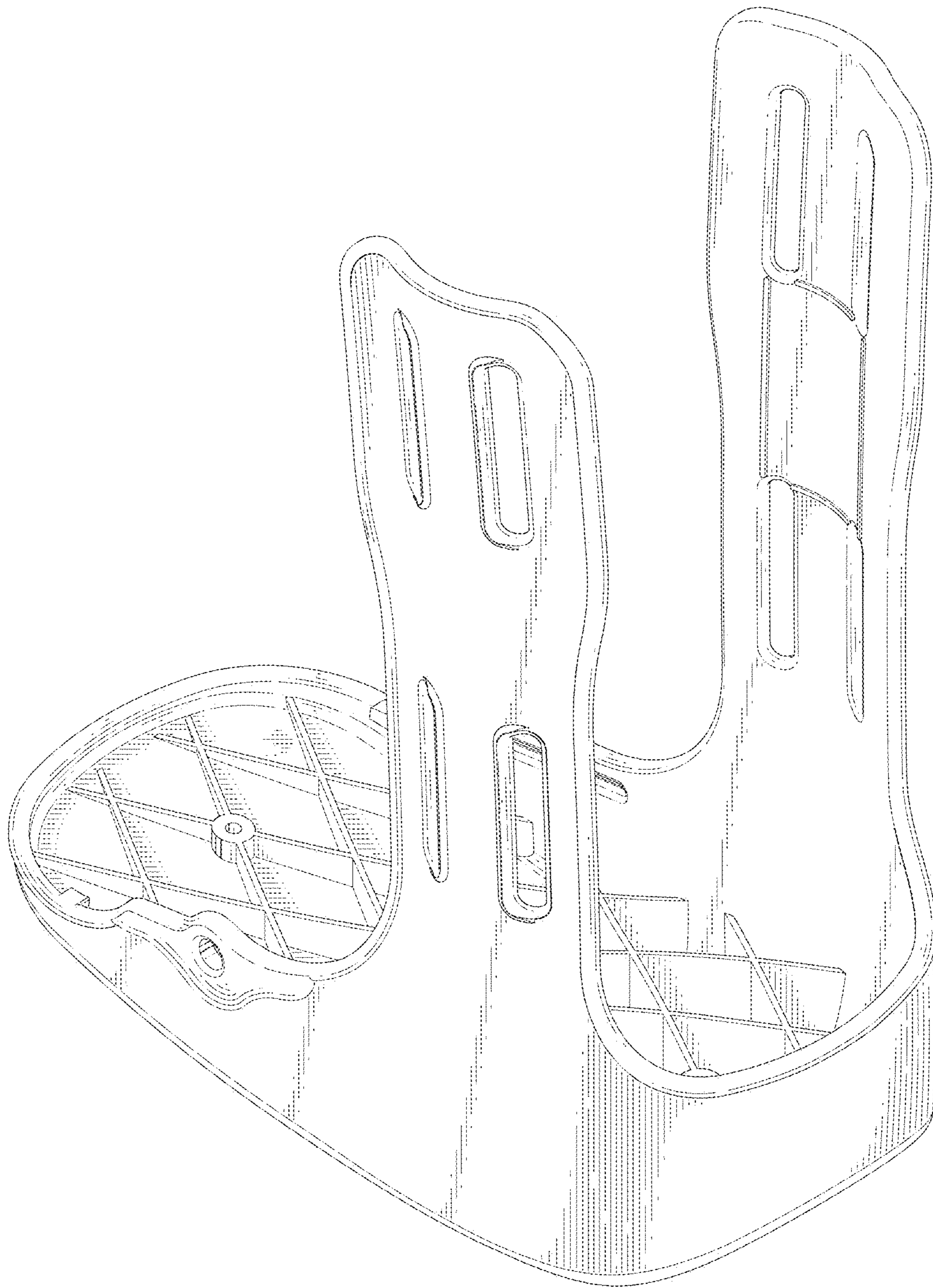


FIG. 8