



US00D979770S

(12) **United States Design Patent**
Pan

(10) **Patent No.:** **US D979,770 S**

(45) **Date of Patent:** **** Feb. 28, 2023**

(54) **DOUBLE ALUMINUM PLATE FINGER SPLINT**

(71) Applicant: **Weiyang Technology Dongguan Co., Ltd.**, Guangdong (CN)

(72) Inventor: **Ruqing Pan**, Guangdong (CN)

(73) Assignee: **Weiyang Technology Dongguan Co., Ltd.**, Guangdong (CN)

(**) Term: **15 Years**

(21) Appl. No.: **29/850,568**

(22) Filed: **Aug. 22, 2022**

(51) **LOC (14) Cl.** **24-01**

(52) **U.S. Cl.**
USPC **D24/190**; D29/114

(58) **Field of Classification Search**
USPC D24/188-192; D29/113, 114, 117.2
CPC A61F 5/05875; A61F 5/0118; A61F 5/013;
A61F 2007/0037; A61F 5/05866
See application file for complete search history.

(56) **References Cited**

U.S. PATENT DOCUMENTS

6,094,747	A	*	8/2000	Malick	A41D 13/087
						63/3.1
D636,176	S	*	4/2011	Pelinsky	D3/221
D793,568	S	*	8/2017	Wong	D24/190
D824,112	S	*	7/2018	Picón	D29/117.2
D825,065	S		8/2018	Wong		
D868,268	S		11/2019	Sayre		
D869,094	S	*	12/2019	Picón	D29/117.2

D923,184	S	*	6/2021	Li	D24/190
D932,710	S	*	10/2021	Jenni	D29/113
D965,155	S	*	9/2022	Liu	D24/190
2008/0082033	A1	*	4/2008	Ortiz	A61F 5/05875
						602/22

* cited by examiner

Primary Examiner — Jennifer L Watkins

(74) *Attorney, Agent, or Firm* — ScienBiziP, P.C.

(57) **CLAIM**

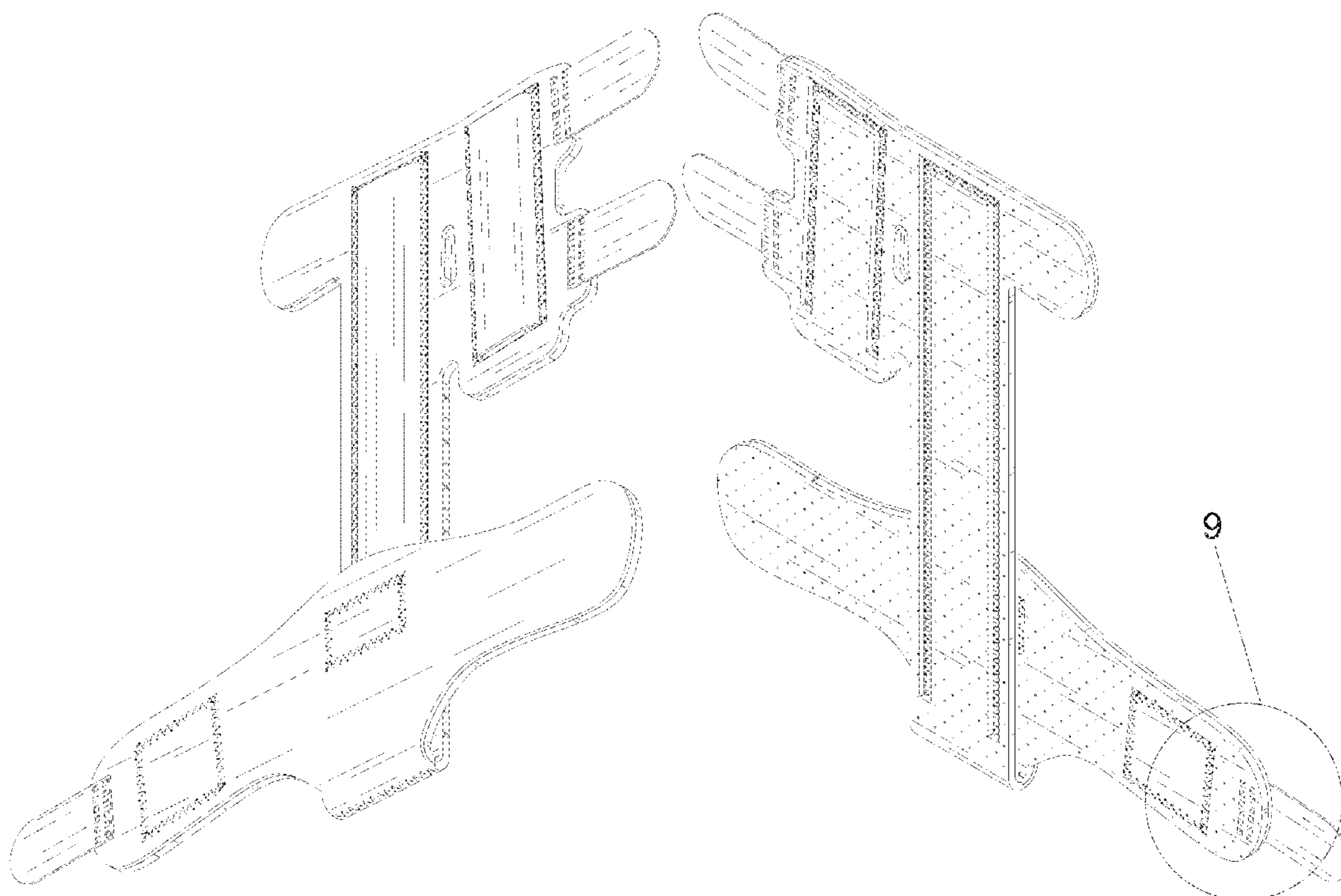
The ornamental design for a double aluminum plate finger splint, as shown and described.

DESCRIPTION

FIG. 1 is a front, right and bottom perspective view of a double aluminum plate finger splint, showing my design. FIG. 2 is a rear, left and top perspective view thereof. FIG. 3 is a front elevation view thereof. FIG. 4 is a rear elevation view thereof. FIG. 5 is a left side elevation view thereof. FIG. 6 is a right side elevation view thereof. FIG. 7 is a top plan view thereof. FIG. 8 is a bottom plan view thereof; and, FIG. 9 is a partial enlarged view of an area labeled 9 in FIG. 2.

The broken lines shown in the drawings are included for the purpose of illustrating portions of the double aluminum plate finger splint that form no part of the claimed design. In addition, the dot-dash broken lines in FIGS. 2 and 9 depict the boundaries of the enlargements that form no part of the claimed design.

1 Claim, 9 Drawing Sheets



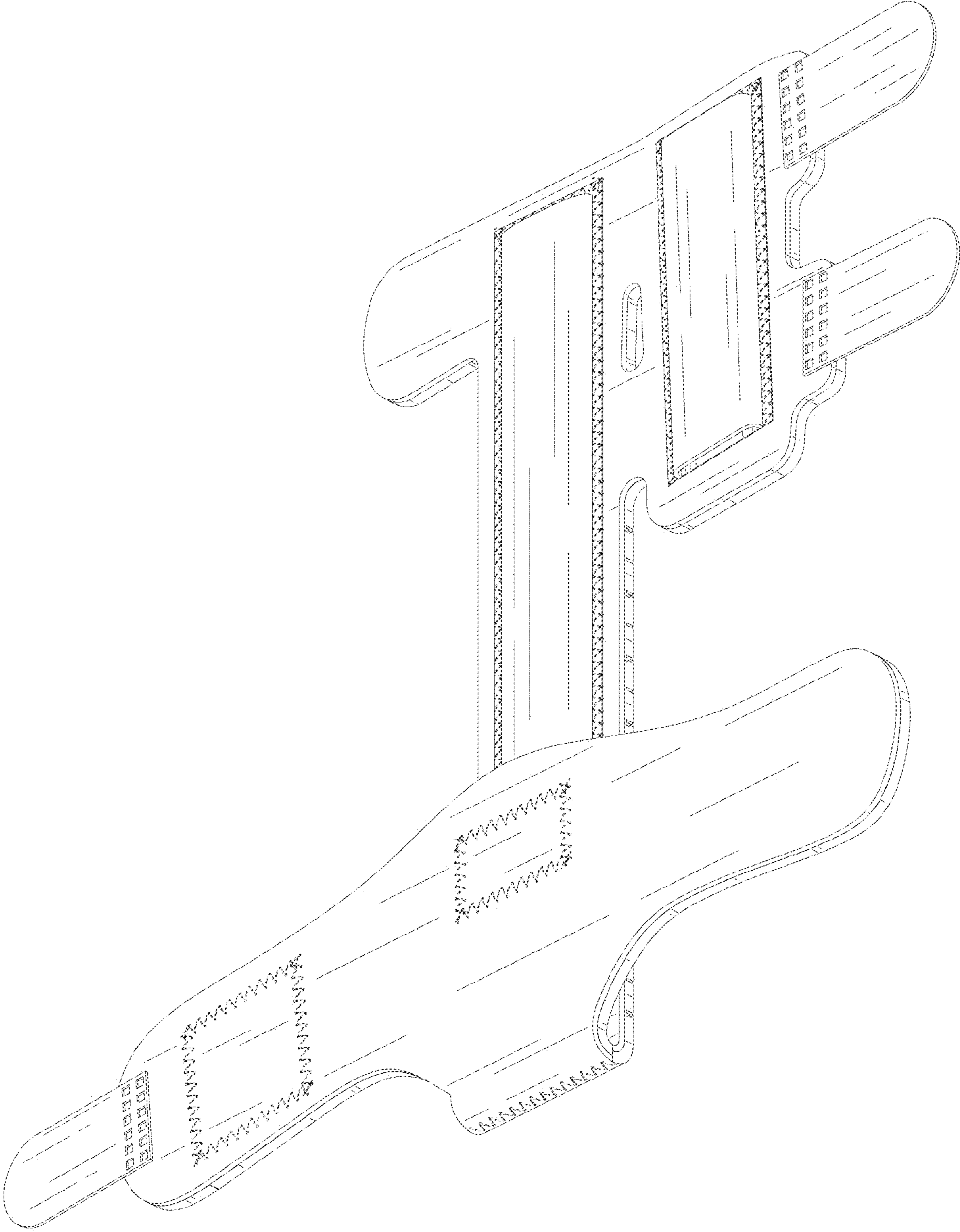


FIG. 1

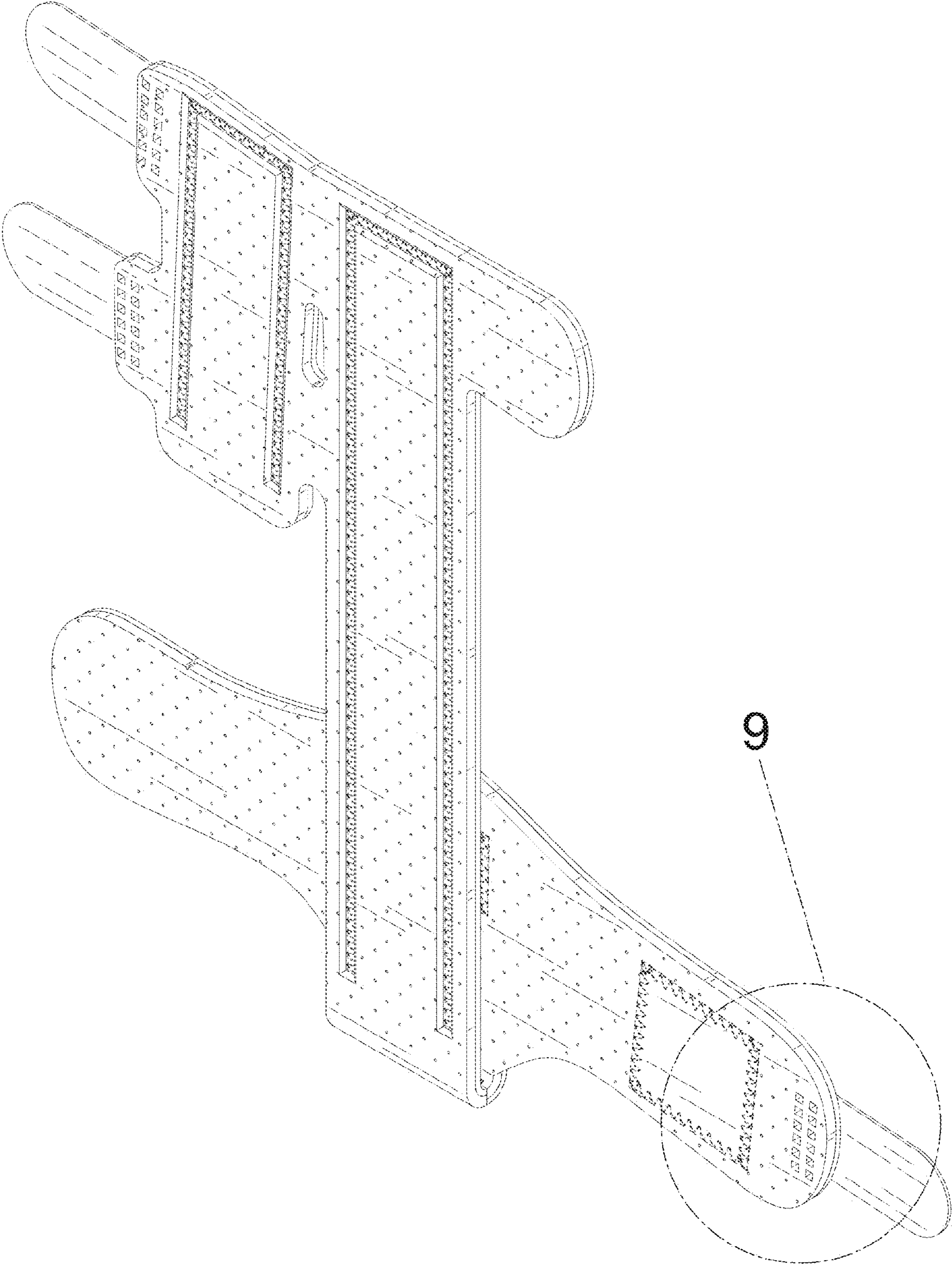


FIG. 2

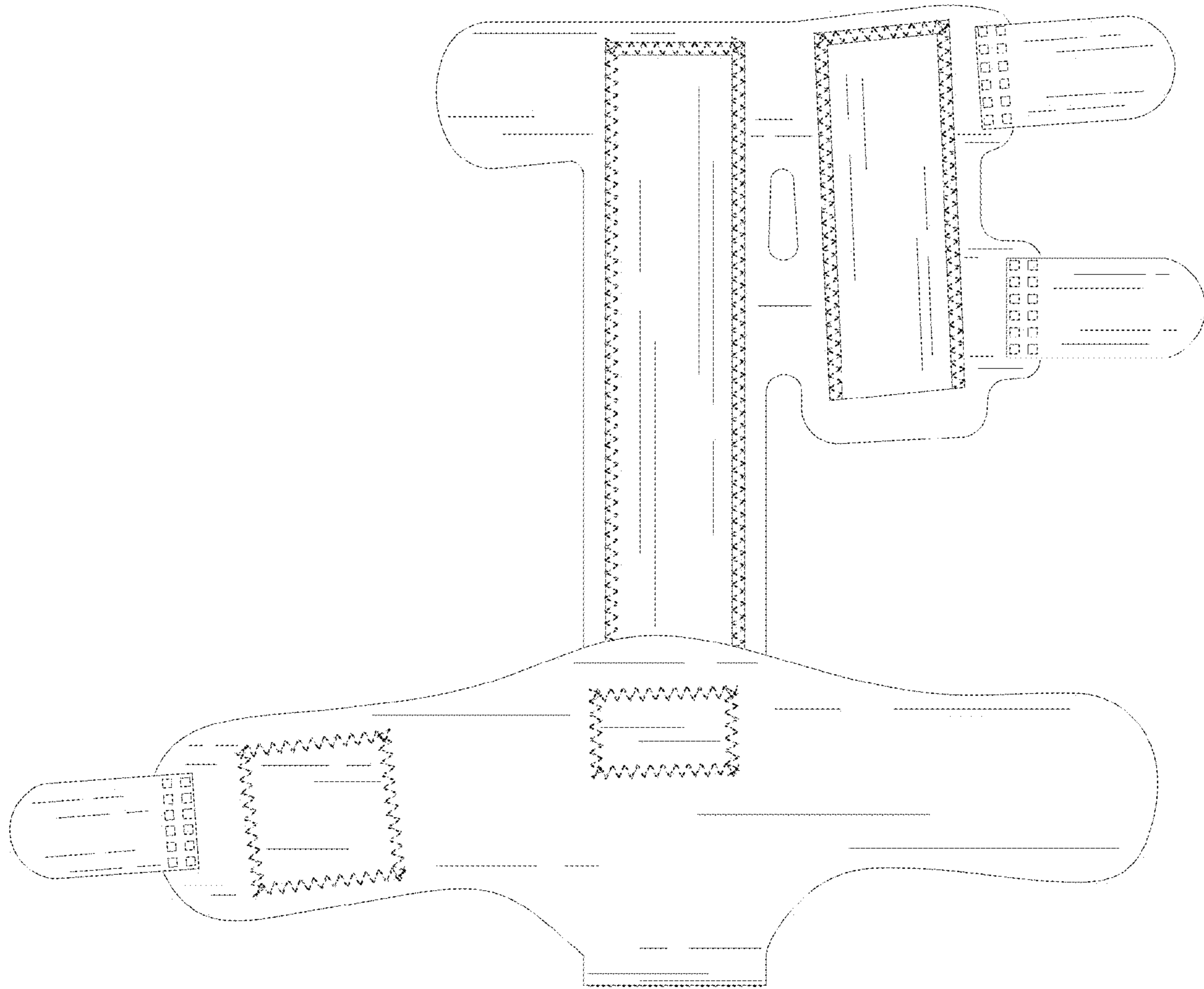


FIG. 3

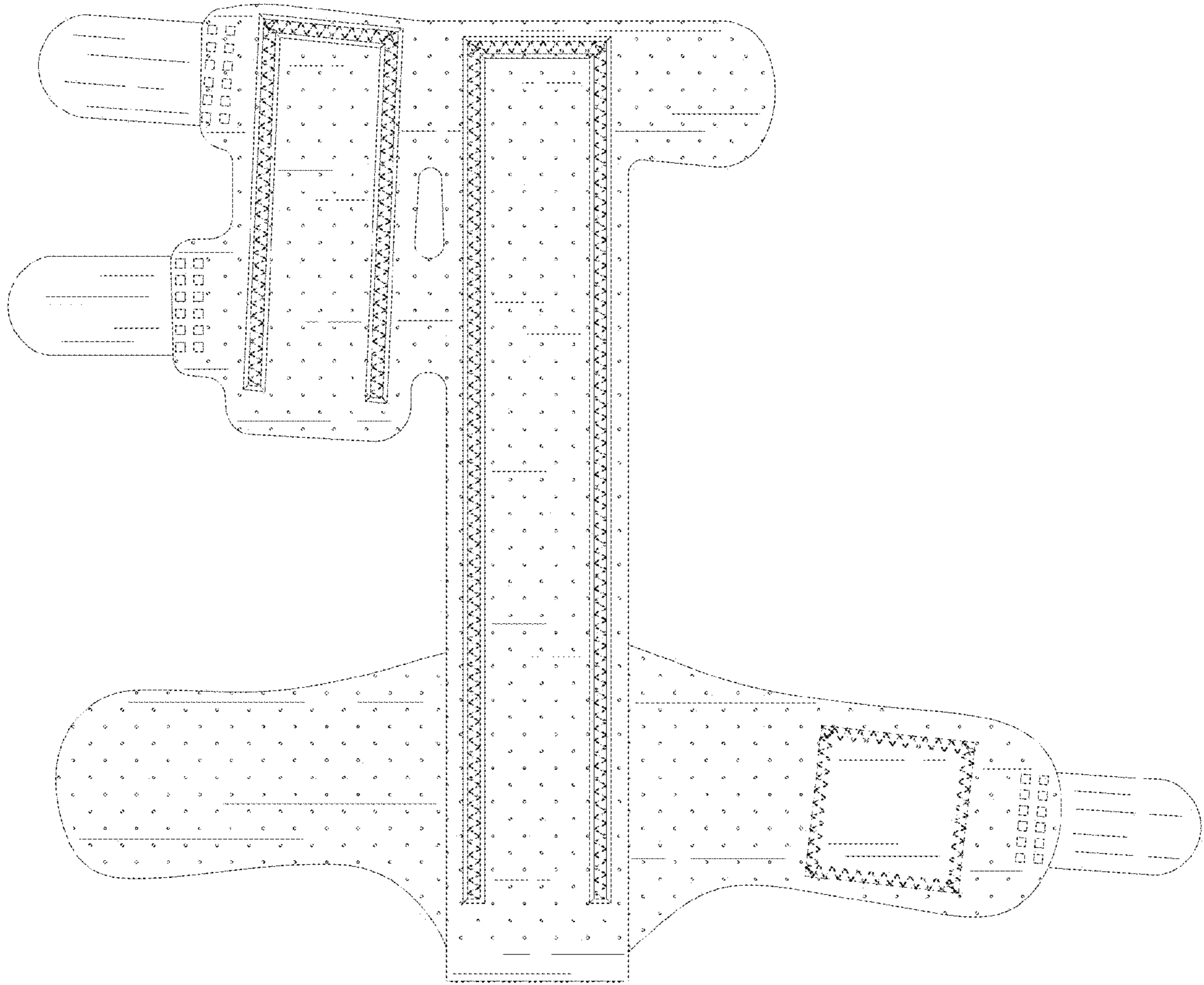


FIG. 4

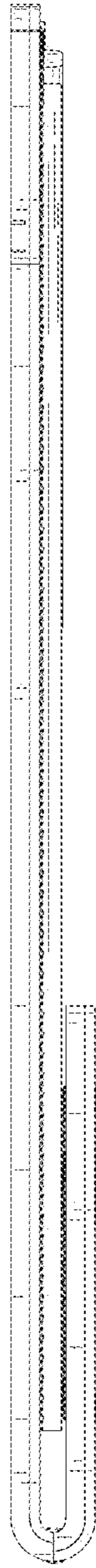


FIG. 5



FIG. 6

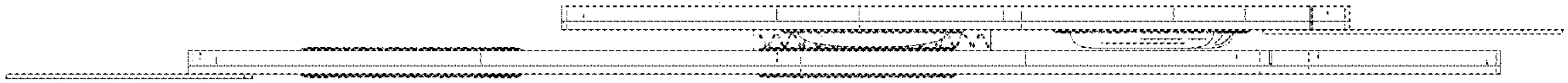


FIG. 7

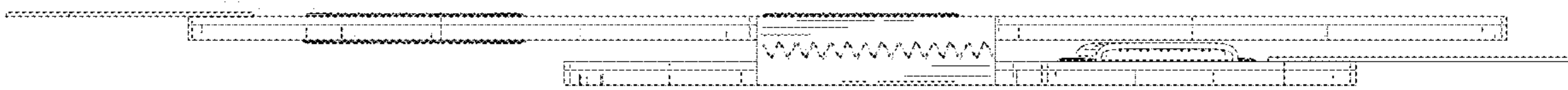


FIG. 8

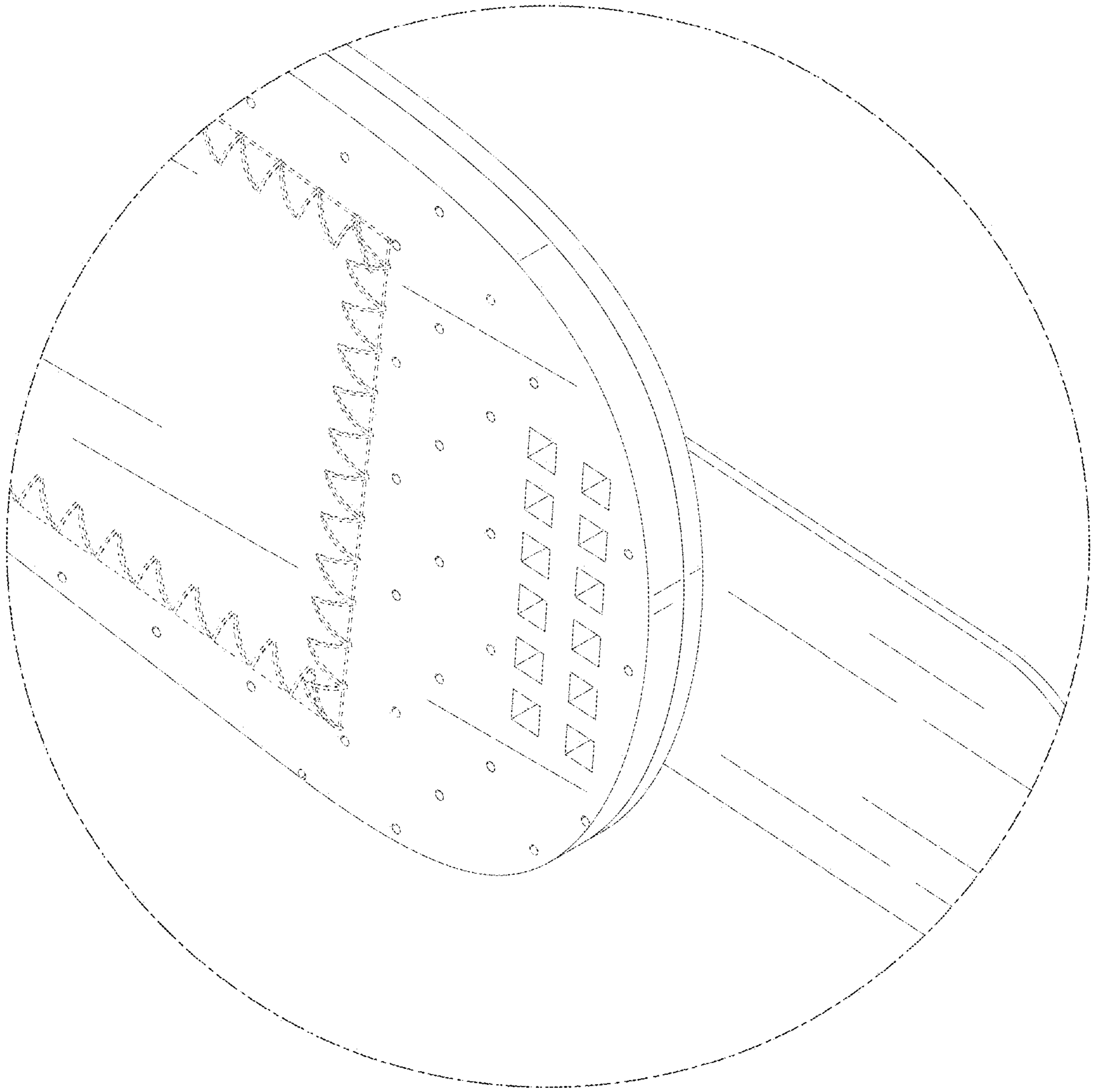


FIG. 9