



US00D979767S

(12) **United States Design Patent**  
**Wen et al.**

(10) **Patent No.:** **US D979,767 S**

(45) **Date of Patent:** **\*\* Feb. 28, 2023**

(54) **PHYSIOTHERAPY DEVICE**

(71) Applicant: **Biheng Chen**, Guangdong (CN)

(72) Inventors: **Feng Wen**, Guangdong (CN); **Biheng Chen**, Guangdong (CN)

(73) Assignee: **Biheng Chen**, Shenzhen (CN)

(\*\*) Term: **15 Years**

(21) Appl. No.: **29/832,269**

(22) Filed: **Mar. 25, 2022**

(30) **Foreign Application Priority Data**

Sep. 29, 2021 (CN) ..... 202130646991.1

(51) **LOC (14) Cl.** ..... **24-02**

(52) **U.S. Cl.**  
USPC ..... **D24/188**

(58) **Field of Classification Search**  
USPC ..... D24/186, 188-191, 169, 200, 214, 215,  
D24/165; D14/218  
CPC ..... A61N 1/04; A61N 1/0404; A61N 1/06;  
A61N 1/36; A61N 1/36003; A61N  
1/36014; A61N 1/36021; A61N 1/36057;  
A61N 1/36071; A61N 5/0616; A61N  
5/062; A61N 5/0613; A61N 1/36017;  
A61N 1/36128; A61N 1/37247; A61N  
1/0456

See application file for complete search history.

(56) **References Cited**

**U.S. PATENT DOCUMENTS**

D352,463 S \* 11/1994 Kubo ..... D10/2  
D393,313 S \* 4/1998 Meisner ..... D24/169  
D412,364 S \* 7/1999 Agarwala ..... D24/200  
D414,870 S \* 10/1999 Saltzstein ..... D24/186  
D484,600 S \* 12/2003 Kaar ..... D24/169  
D535,031 S \* 1/2007 Barrett ..... D24/186  
D547,454 S \* 7/2007 Hsieh ..... D24/186  
D598,109 S \* 8/2009 Collins ..... D24/186

D601,256 S \* 9/2009 Takano ..... D24/169  
D621,515 S \* 8/2010 Chua ..... D24/186  
D634,430 S \* 3/2011 Osiecki ..... D24/165  
D634,431 S \* 3/2011 Severe ..... D24/167  
D641,880 S \* 7/2011 Noguchi ..... D24/165  
D665,504 S \* 8/2012 Arimitsu ..... D24/186

(Continued)

**FOREIGN PATENT DOCUMENTS**

CN 305699612 S 4/2020  
CN 307172537 S 3/2022

**OTHER PUBLICATIONS**

Maytoyo TENS EMS Unit, [site visited Aug. 8, 2022]. Available from Internet. URL: [https://www.amazon.com/Maytoyo-Intensity-Stimulator-Therapy-Rechargeable/dp/B09VGRBLCL/ref=psdc\\_8627079011\\_t3\\_B097SGRPP1](https://www.amazon.com/Maytoyo-Intensity-Stimulator-Therapy-Rechargeable/dp/B09VGRBLCL/ref=psdc_8627079011_t3_B097SGRPP1) (Year: 2022).\*

*Primary Examiner* — T Chase Nelson

*Assistant Examiner* — Kelly L Gross

(74) *Attorney, Agent, or Firm* — Dragon Sun Law Firm, PC; Jinggao Li; Nathaniel Perkins

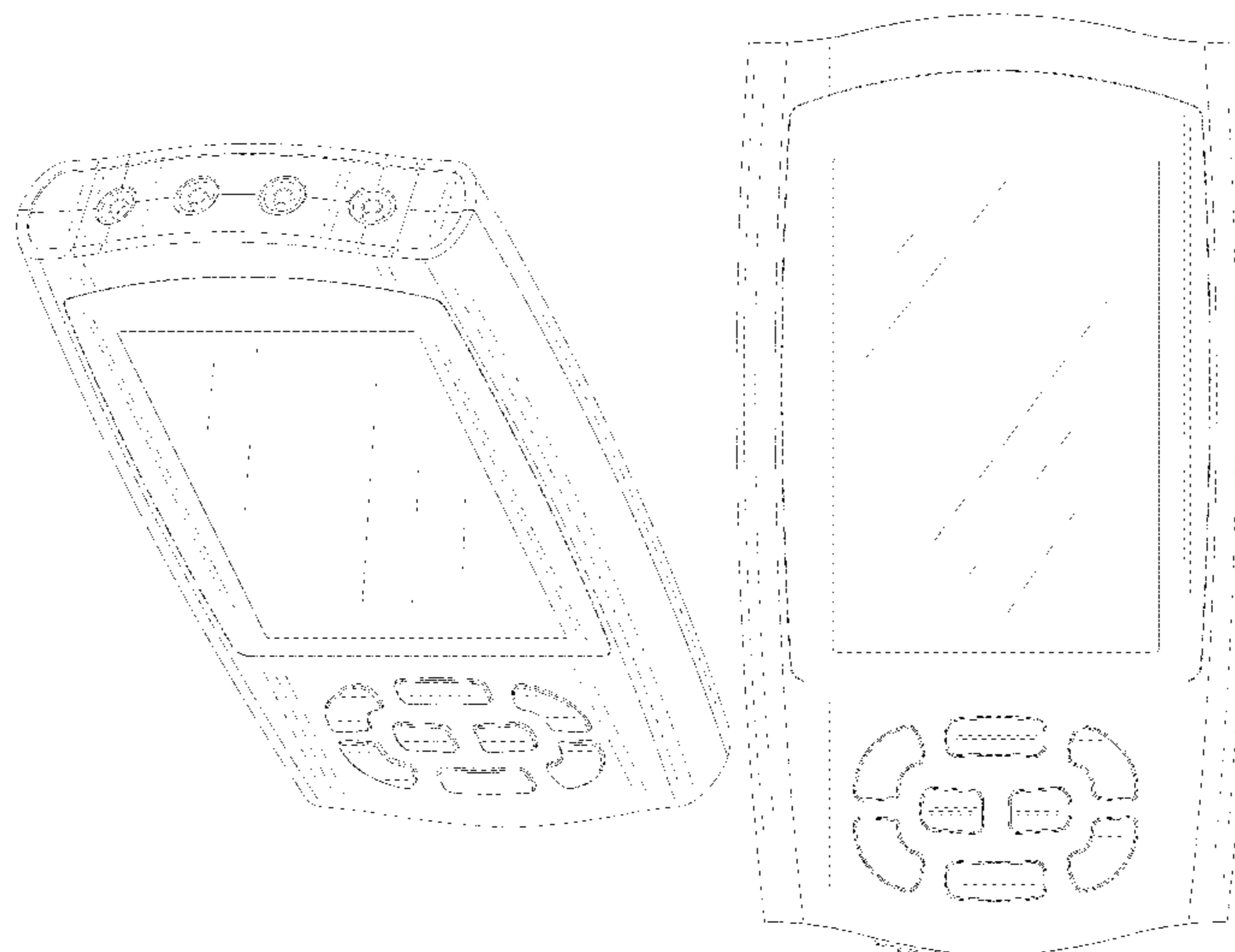
(57) **CLAIM**

The ornamental design for a physiotherapy device, as shown and described.

**DESCRIPTION**

FIG. 1 is a top, front perspective view of a physiotherapy device showing our new design;  
FIG. 2 is a bottom, rear perspective view thereof;  
FIG. 3 is a front view thereof;  
FIG. 4 is a rear view thereof;  
FIG. 5 is a left view thereof;  
FIG. 6 is a right view thereof;  
FIG. 7 is a top view thereof; and,  
FIG. 8 is a bottom view thereof.  
The broken lines shown on the drawings depict portions of the physiotherapy device that form no part of the claimed design.

**1 Claim, 6 Drawing Sheets**



(56)

References Cited

U.S. PATENT DOCUMENTS

D670,810 S *	11/2012	Fukuzawa .....	D24/169	D759,263 S *	6/2016	Chen .....	D24/215
D670,811 S *	11/2012	Fukuzawa .....	D24/169	D762,872 S *	8/2016	Chen .....	D24/215
D676,136 S *	2/2013	Arimitsu .....	D24/186	D778,445 S *	2/2017	Cadio .....	D24/169
D686,731 S *	7/2013	Oka .....	D24/169	D794,803 S *	8/2017	Thom .....	D24/169
D690,422 S *	9/2013	Oka .....	D24/169	D802,780 S *	11/2017	Hsu .....	D24/200
D696,404 S *	12/2013	Golnik .....	D24/169	D815,743 S *	4/2018	Liao .....	D24/165
D696,405 S *	12/2013	Koski .....	D24/169	D830,565 S *	10/2018	Xu .....	D24/186
D719,263 S *	12/2014	Shibata .....	D24/165	D836,789 S *	12/2018	Jiang .....	D24/200
D721,177 S *	1/2015	Ahlstrom .....	D24/169	D849,950 S *	5/2019	Nishiyama .....	D24/165
D731,067 S *	6/2015	Huang .....	D24/169	D858,464 S *	9/2019	Li .....	D13/168
D739,945 S *	9/2015	Cadio .....	D24/169	D862,716 S *	10/2019	Cryan .....	D24/200
D747,489 S *	1/2016	Ahlstrom .....	D24/169	D865,986 S *	11/2019	Cryan .....	D24/214
D752,229 S *	3/2016	Chen .....	D24/165	D868,273 S *	11/2019	Li .....	D24/200
D756,526 S *	5/2016	Ho .....	D24/200	D874,007 S *	1/2020	Chang .....	D24/169
D757,273 S *	5/2016	Nelson .....	D24/169	D879,983 S *	3/2020	Wang .....	D24/200
D757,292 S *	5/2016	Chen .....	D24/215	D884,903 S *	5/2020	Cadio .....	D24/169
D758,606 S *	6/2016	Chen .....	D24/215	D893,735 S *	8/2020	Yin .....	D24/200
D759,262 S *	6/2016	Chen .....	D24/215	D893,736 S *	8/2020	Yin .....	D24/200
				D927,004 S *	8/2021	Peng .....	D24/200
				D932,637 S *	10/2021	Hsu .....	D24/200

\* cited by examiner

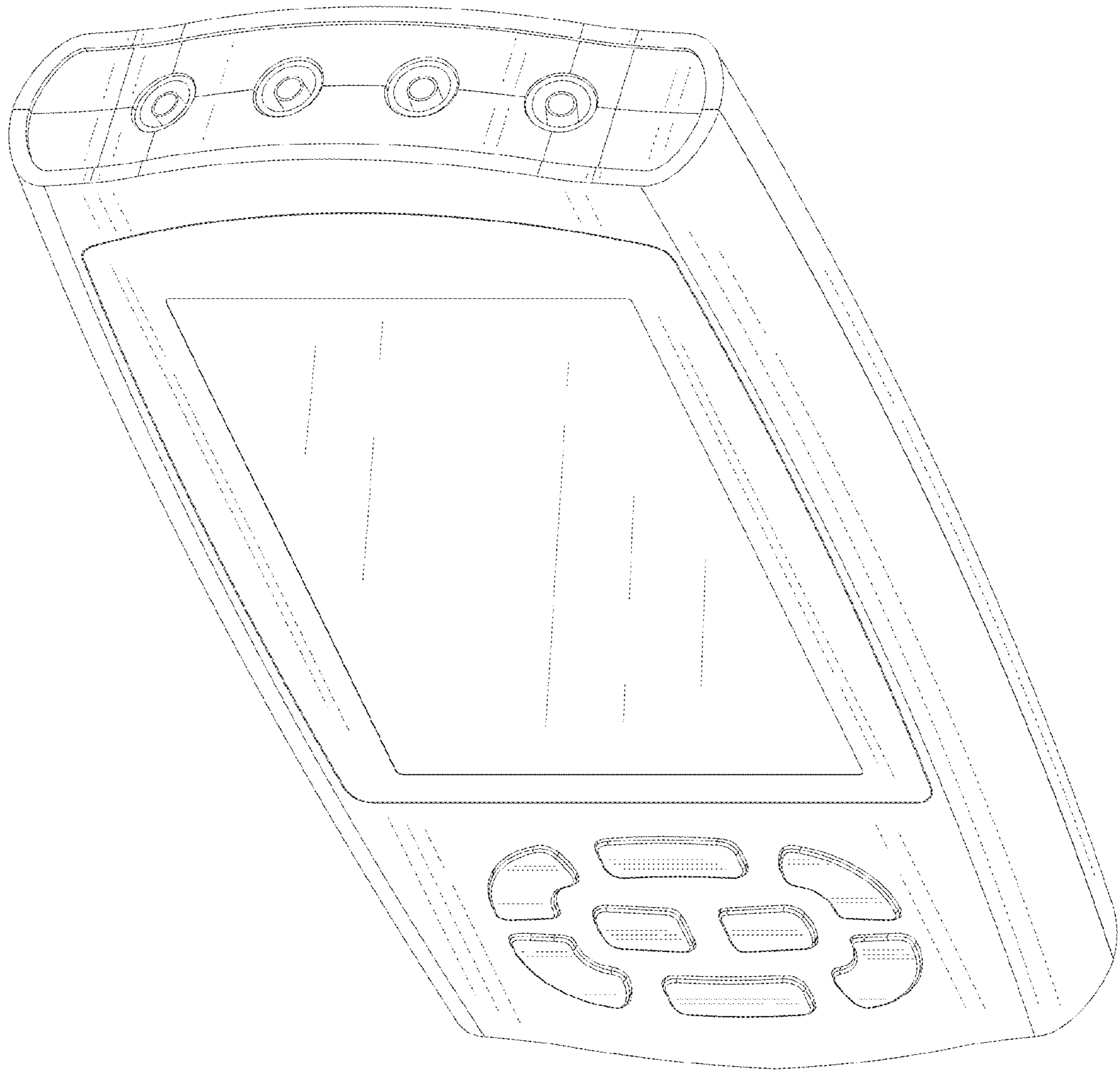


FIG. 1

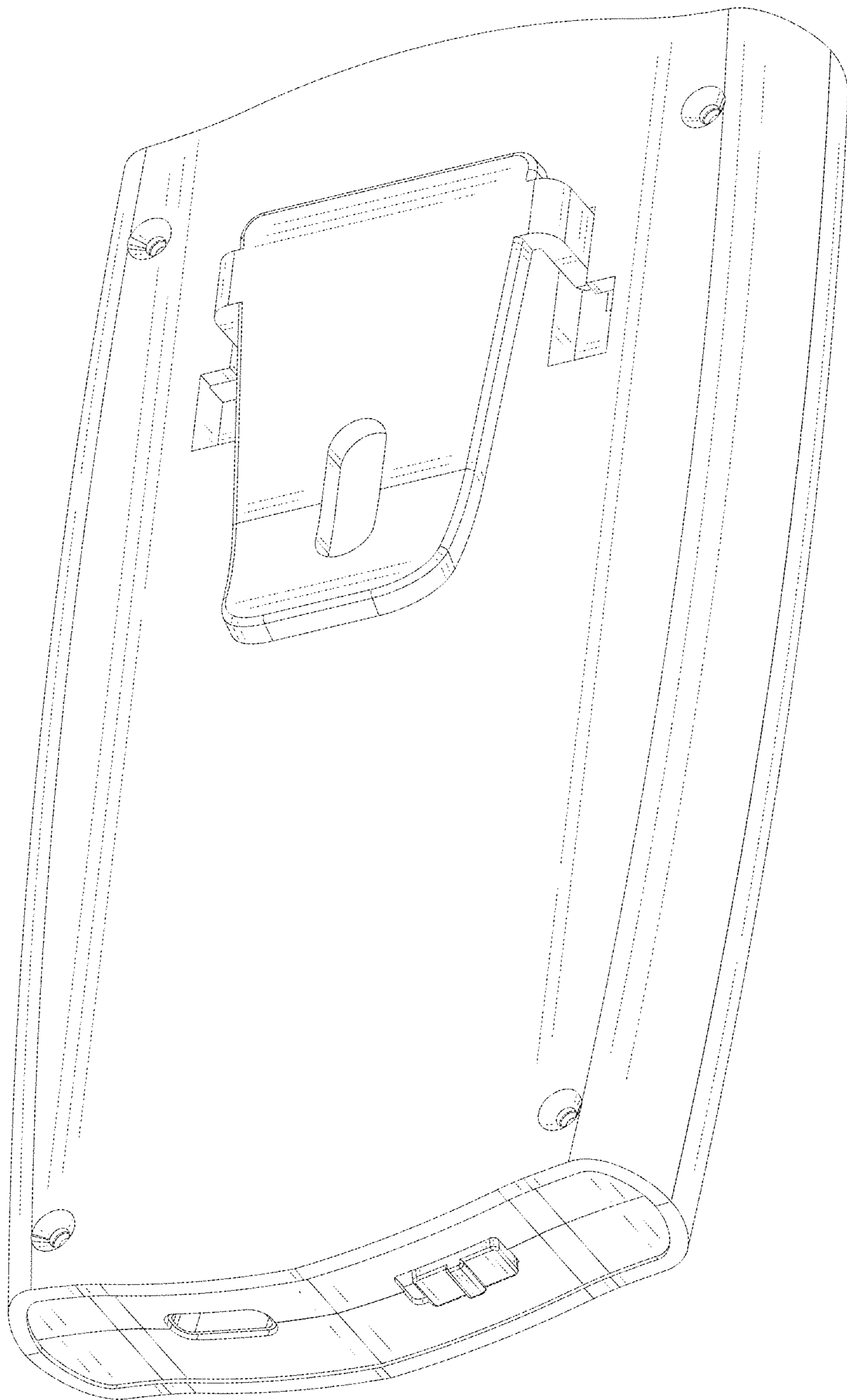


FIG. 2



FIG. 3

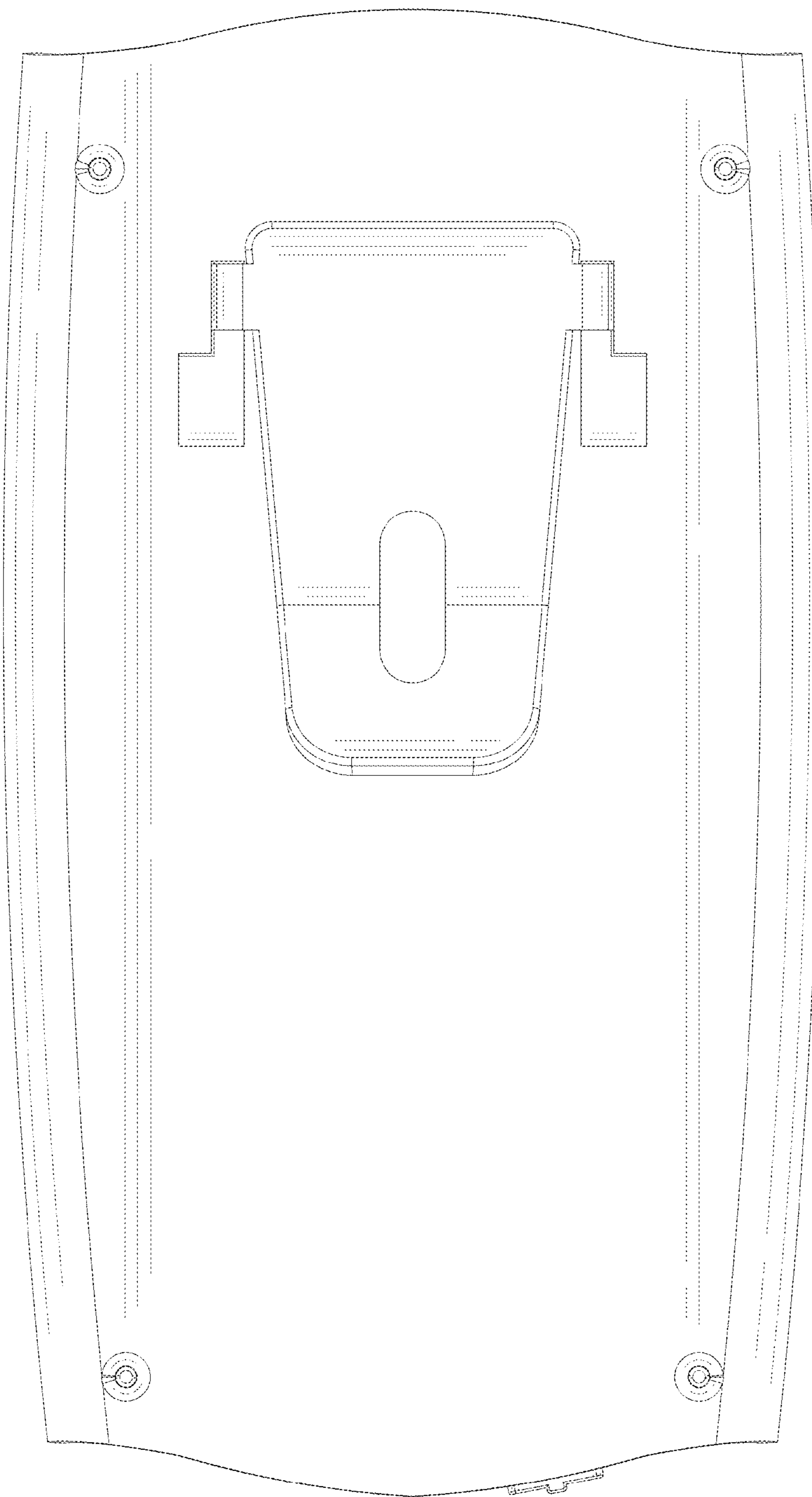


FIG. 4

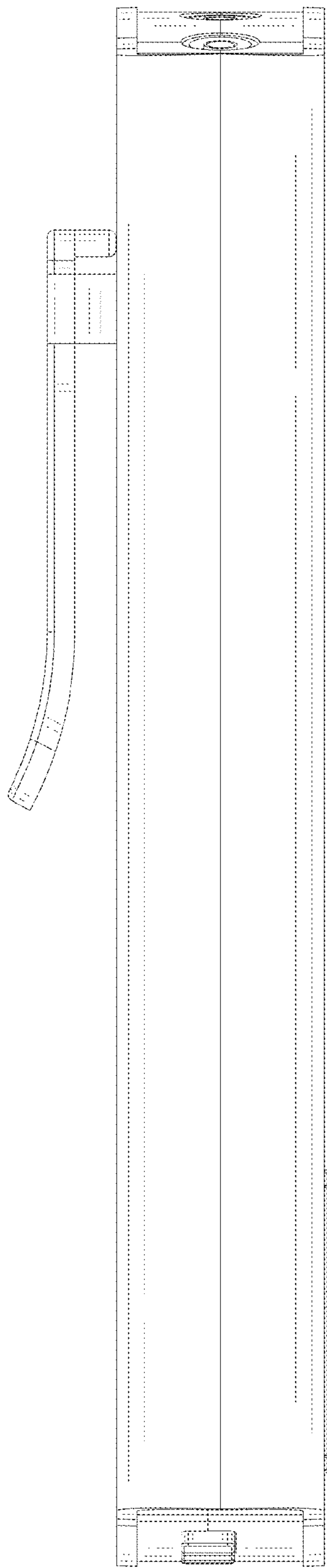


FIG. 5

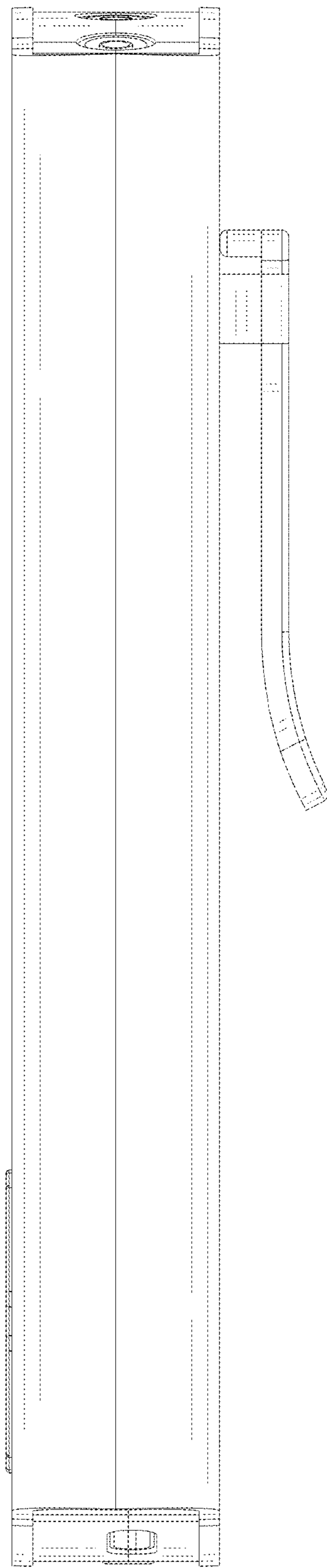


FIG. 6

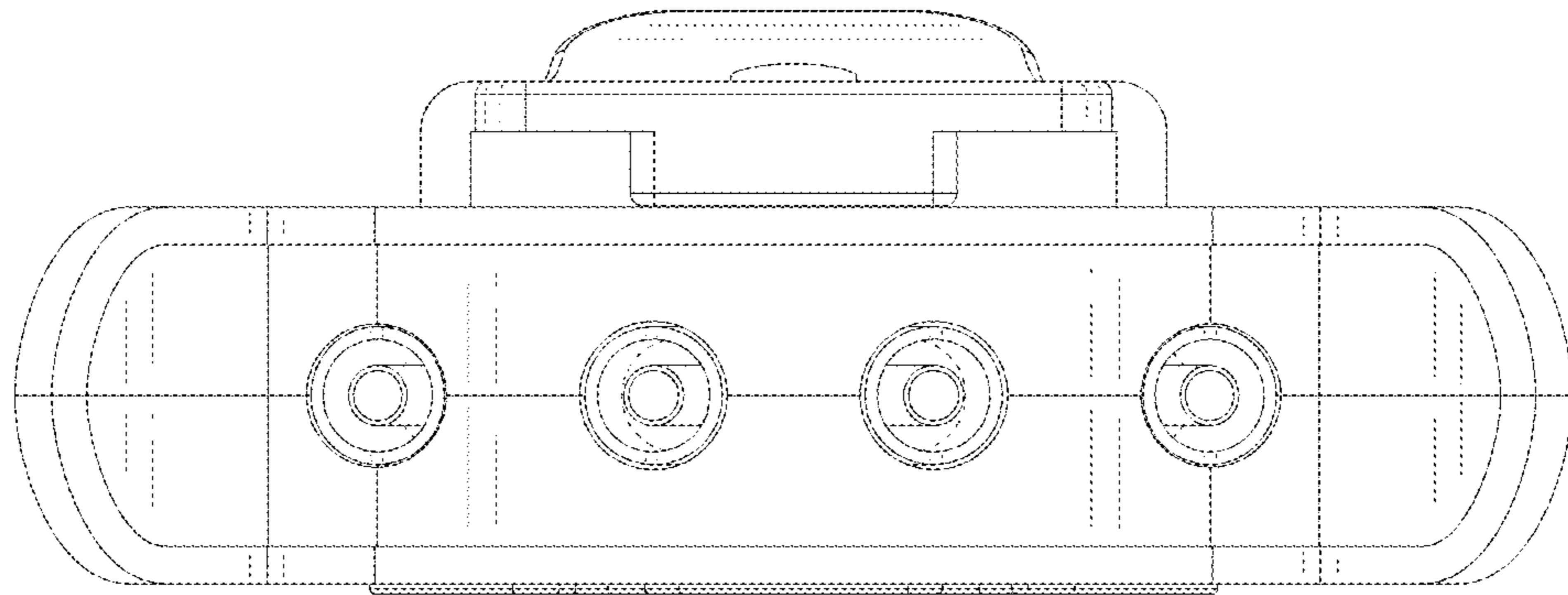


FIG. 7

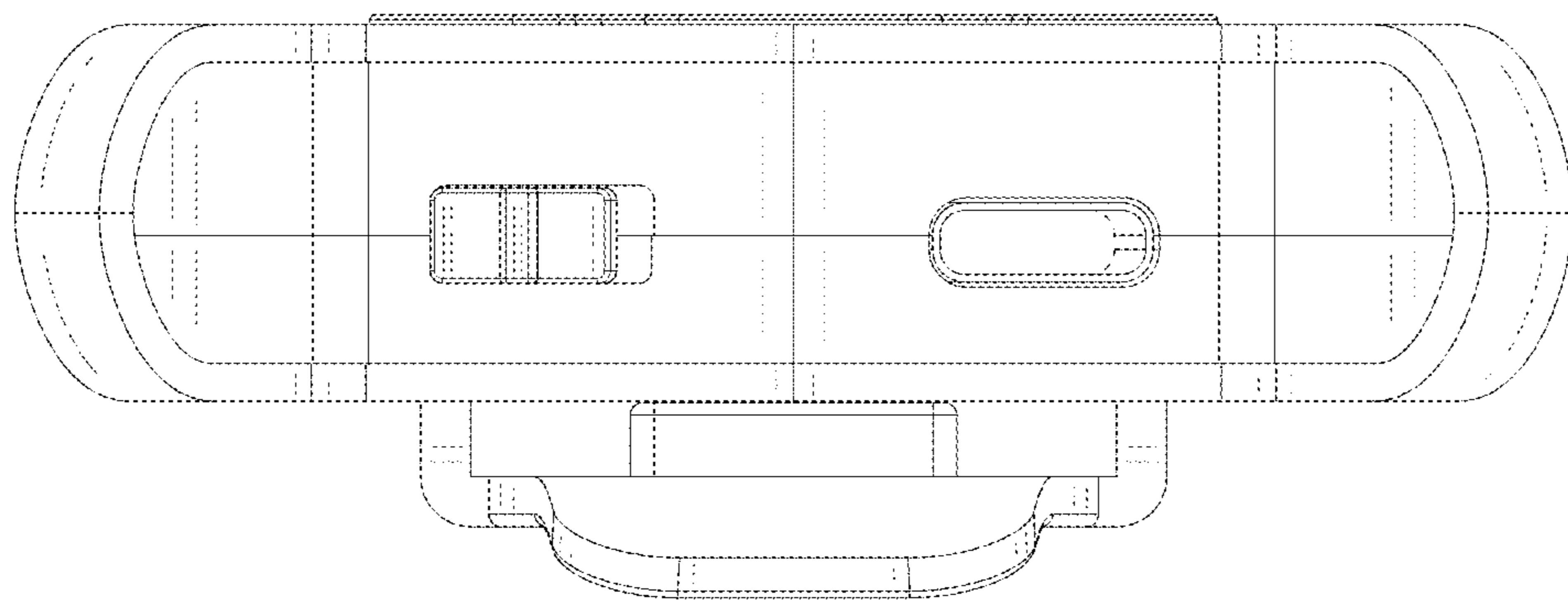


FIG. 8