



US00D979764S

(12) **United States Design Patent** (10) **Patent No.:** **US D979,764 S**
Bürger et al. (45) **Date of Patent:** **** Feb. 28, 2023**

(54) **RACK FOR SYRINGE PUMP AND/OR INFUSION PUMP**

FOREIGN PATENT DOCUMENTS

(71) Applicant: **B. Braun Melsungen AG**, Melsungen (DE)

EM 008404255-0005 * 3/2021
JP D1710687 * 3/2022
NZ 429275-0001 * 2/2021

(72) Inventors: **Maria Bürger**, Malsfeld (DE); **Christoph Erlen**, Kassel (DE); **Stefan Espenhahn**, Hamburg (DE); **Norbert Koop**, Rellingen (DE); **Joachim Schütz**, Fulda (DE); **Matthias Schwalm**, Schwalmstadt (DE); **Jan Sokoll**, Nortorf (DE)

OTHER PUBLICATIONS

Space Plus Station, Rack System for Space Plus Pumps, B Braun, [Post date Aug. 1, 2021], [Site seen Aug. 8, 2022], Seen at URL: <https://www.bbraun.com/en/products/b2/spaceplus-station.html> (Year: 2021).*

(Continued)

(73) Assignee: **B. Braun Melsungen AG**, Melsungen (DE)

Primary Examiner — Natasha Vujcic
Assistant Examiner — Gilbert B Ford

(**) Term: **15 Years**

(74) *Attorney, Agent, or Firm* — Christopher A. Rothe; Culhane Meadows, PLLC

(21) Appl. No.: **29/798,492**

(22) Filed: **Jul. 8, 2021**

(30) **Foreign Application Priority Data**

(57) **CLAIM**

Jan. 15, 2021 (EM) 008404255

We claim, the ornamental design for a rack for syringe pump and/or infusion pump, as shown and described.

(51) **LOC (14) Cl.** **24-02**

(52) **U.S. Cl.**
USPC **D24/185**

(58) **Field of Classification Search**
USPC D24/108, 111, 127–129, 227–229, 231, D24/234; D6/672, 673, 677, 677.1, 702, D6/105

DESCRIPTION

CPC . A61M 5/1413; H05K 5/0021; H05K 7/1435; F16M 11/24; F16M 2200/027; A61B 19/0256; G06F 19/3412; G06F 19/3468
See application file for complete search history.

FIG. 1 is a left perspective view of a rack for syringe pump and/or infusion pump;
FIG. 2 is a right perspective view thereof;
FIG. 3 is a front view thereof;
FIG. 4 is a rear view thereof;
FIG. 5 is a left side view thereof;
FIG. 6 is a right side view thereof; and,
FIG. 7 is a top view thereof.

(56) **References Cited**

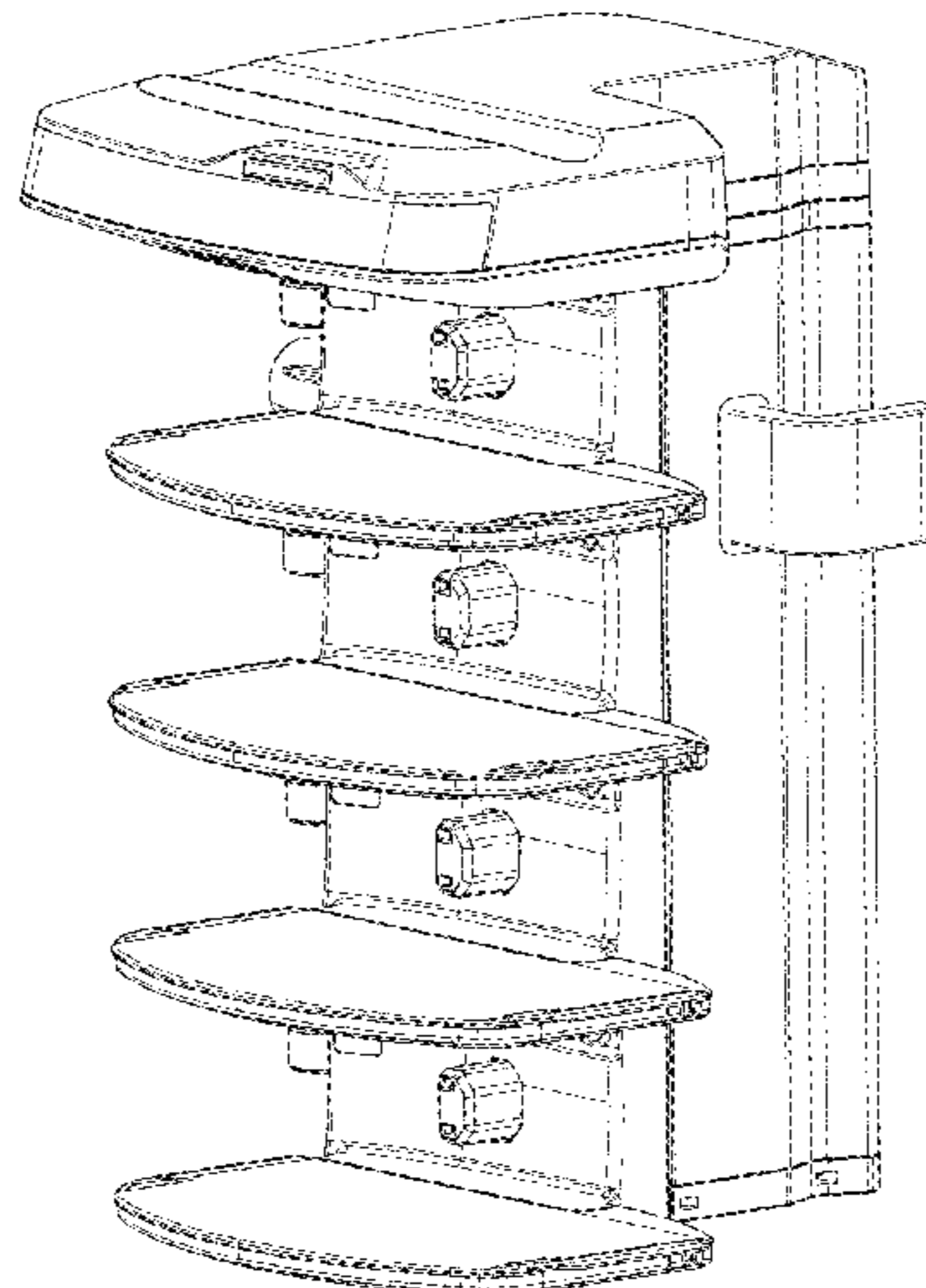
U.S. PATENT DOCUMENTS

D426,092 S * 6/2000 Neustadt D6/705
D429,091 S * 8/2000 Chen D6/677.1
D459,137 S * 6/2002 Poirier D6/677.1

The broken lines in the drawings illustrate portions of the rack for syringe pump and/or infusion pump and form no part of the claimed design.

(Continued)

1 Claim, 7 Drawing Sheets



(56)

References Cited

U.S. PATENT DOCUMENTS

| | | | | |
|--------------|------|---------|---------------------|------------------------|
| 6,407,335 | B1 * | 6/2002 | Franklin-Lees | F16M 13/02 174/58 |
| D564,796 | S * | 3/2008 | Zambelli | D6/677.1 |
| D700,704 | S * | 3/2014 | Kitt | D24/185 |
| D741,631 | S * | 10/2015 | Bertault | D6/677 |
| D777,933 | S * | 1/2017 | Hrenchir | D24/185 |
| D810,958 | S * | 2/2018 | Lacy | D24/227 |
| 9,987,415 | B2 * | 6/2018 | Asama | A61M 5/1417 |
| D860,464 | S * | 9/2019 | Caywood | D24/185 |
| D935,246 | S * | 11/2021 | Peng | D6/677.1 |
| D953,540 | S * | 5/2022 | Behrendt | D24/185 |
| 2014/0321096 | A1 * | 10/2014 | Kajackas | A61G 12/00 361/807 |
| 2015/0041419 | A1 * | 2/2015 | Hasegawa | F16M 11/041 248/676 |

OTHER PUBLICATIONS

Volumetric Infusion Pump, Trade Korea, [Post date Mar. 16, 2017], [Site seen: Aug. 8, 2022], Seen at URL: <https://www.tradekorea.com/product/detail/P475265/Volumetric-Infusion-Pump.html> (Year: 2017).*

MP-80 docking station with 6 channels, Medcaptain Medical Technology Co, Facebook, [Post date Jun. 12, 2015], [Site seen Aug. 8, 2022], Seen at URL: <https://m.facebook.com/MedcaptainMedTech/photos/mp-80-docking-station-with-6-channels/1382577882043695/> (Year: 2015).*

* cited by examiner

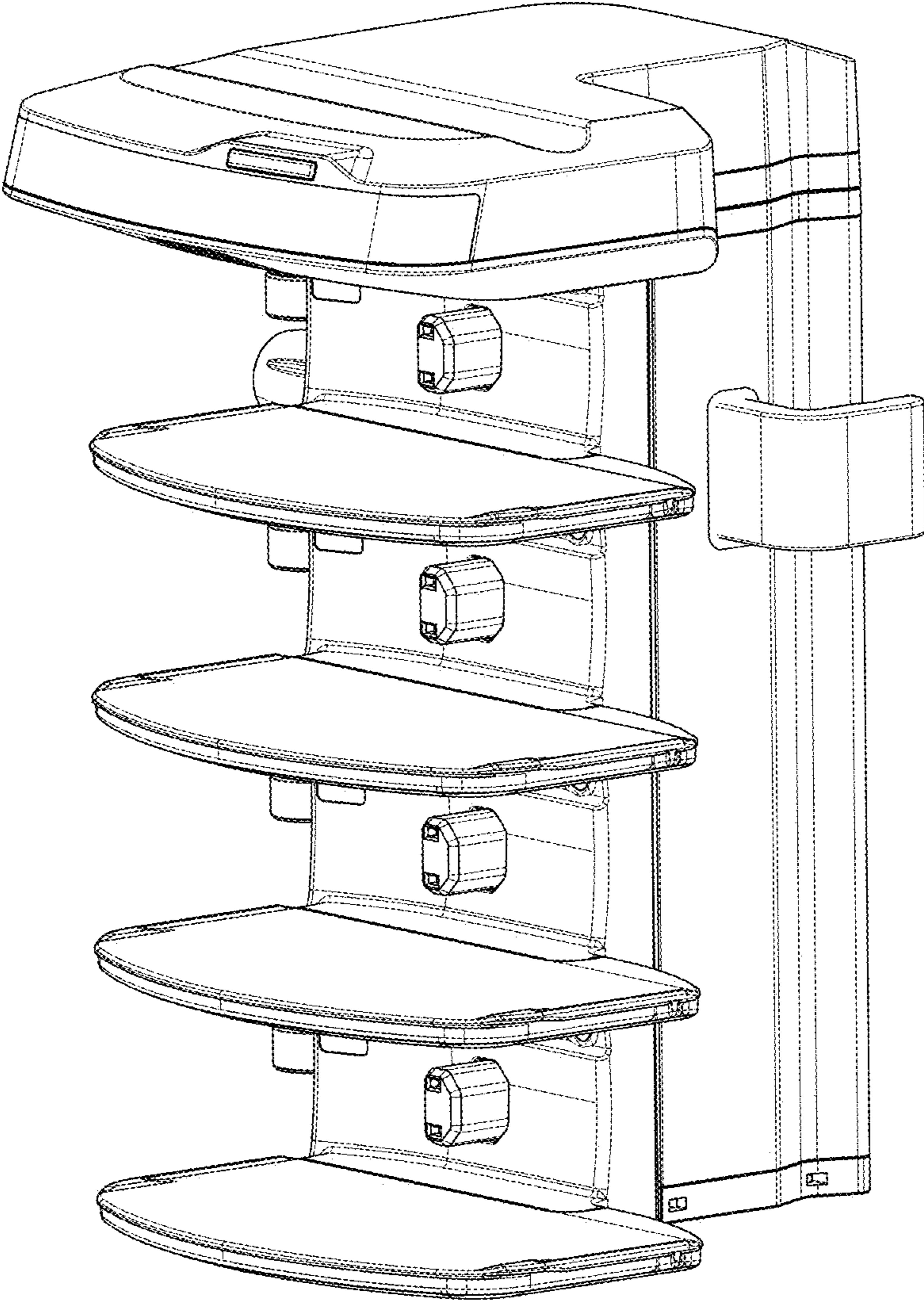


FIG. 1

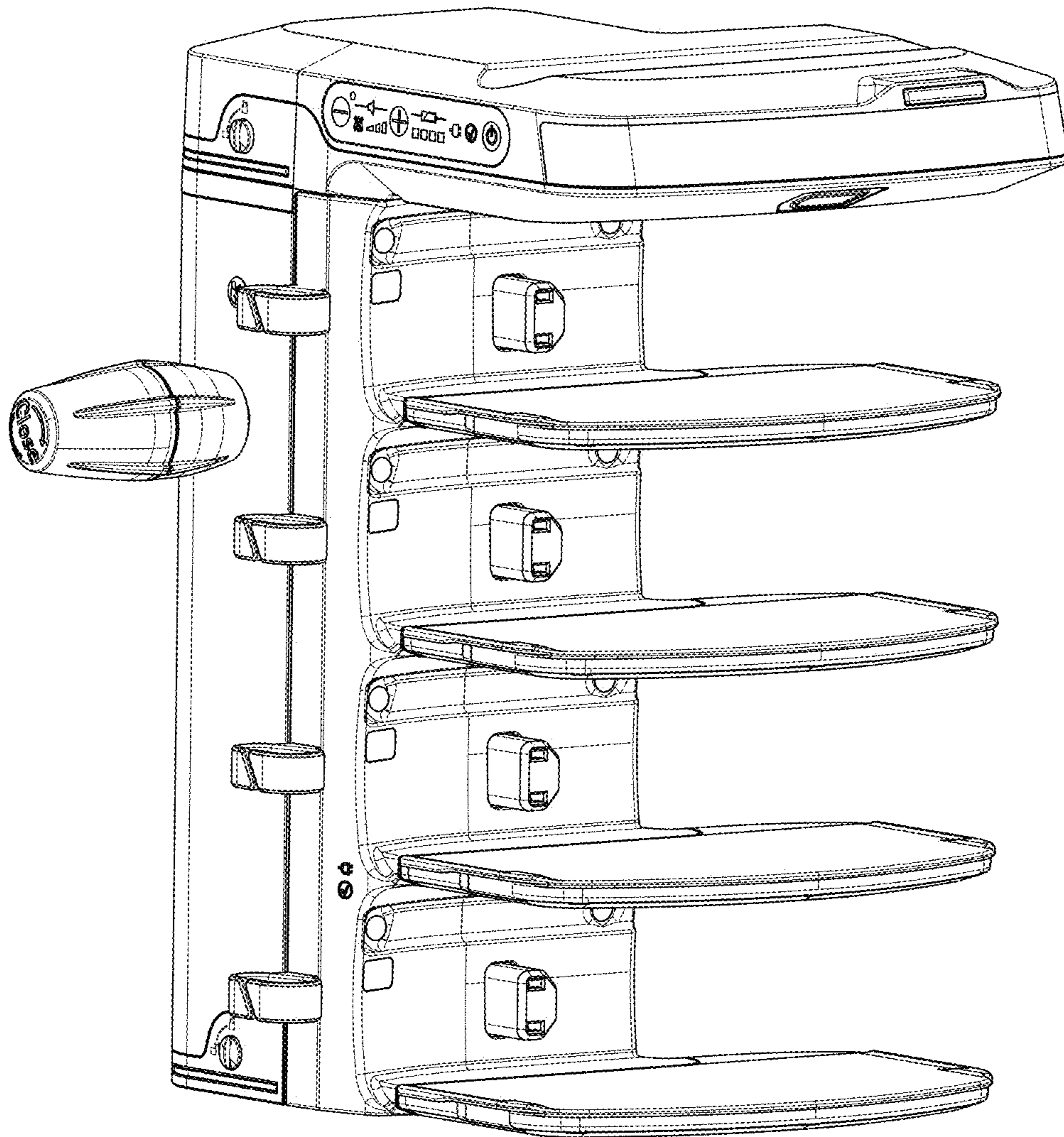


FIG. 2

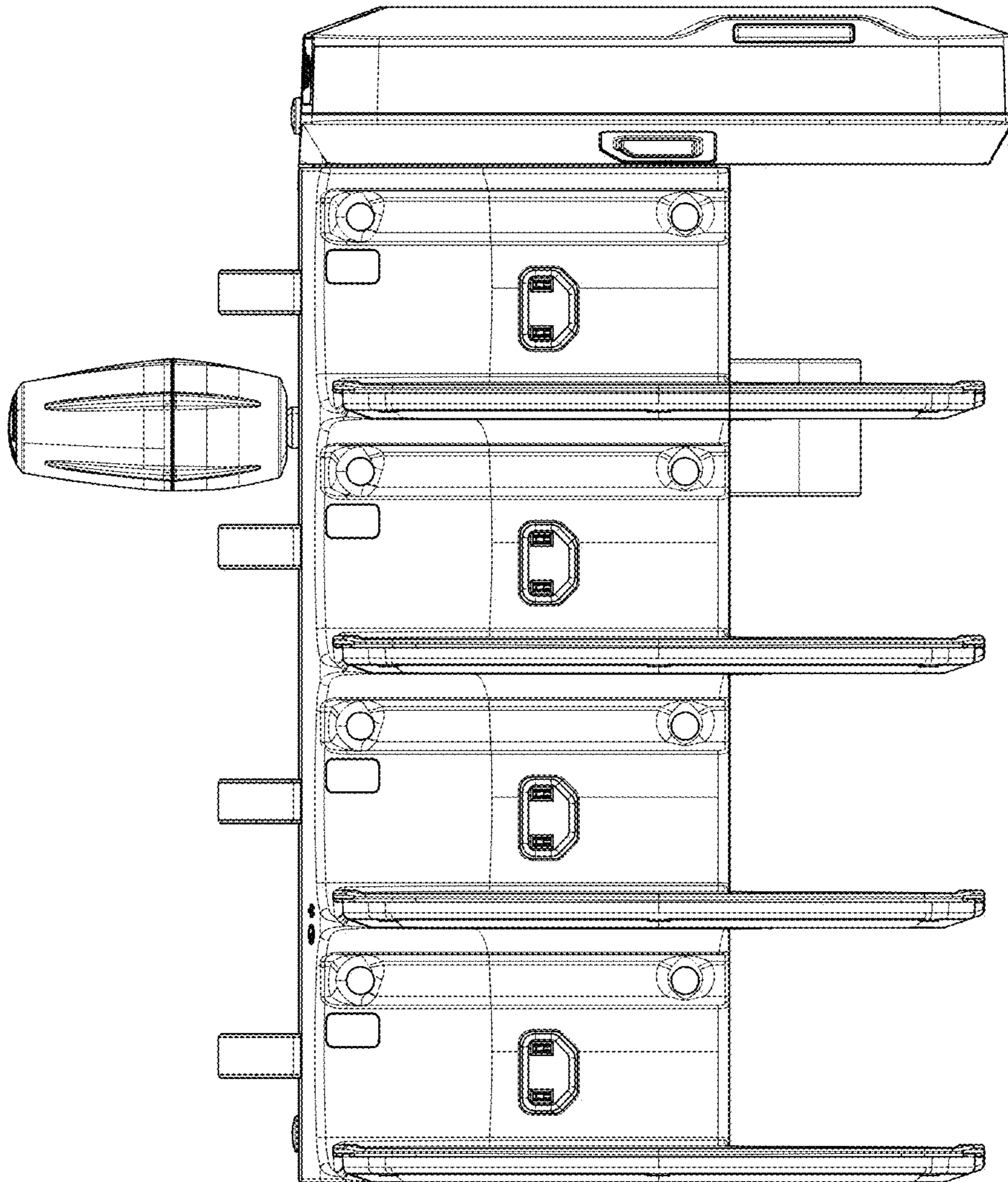


FIG. 3

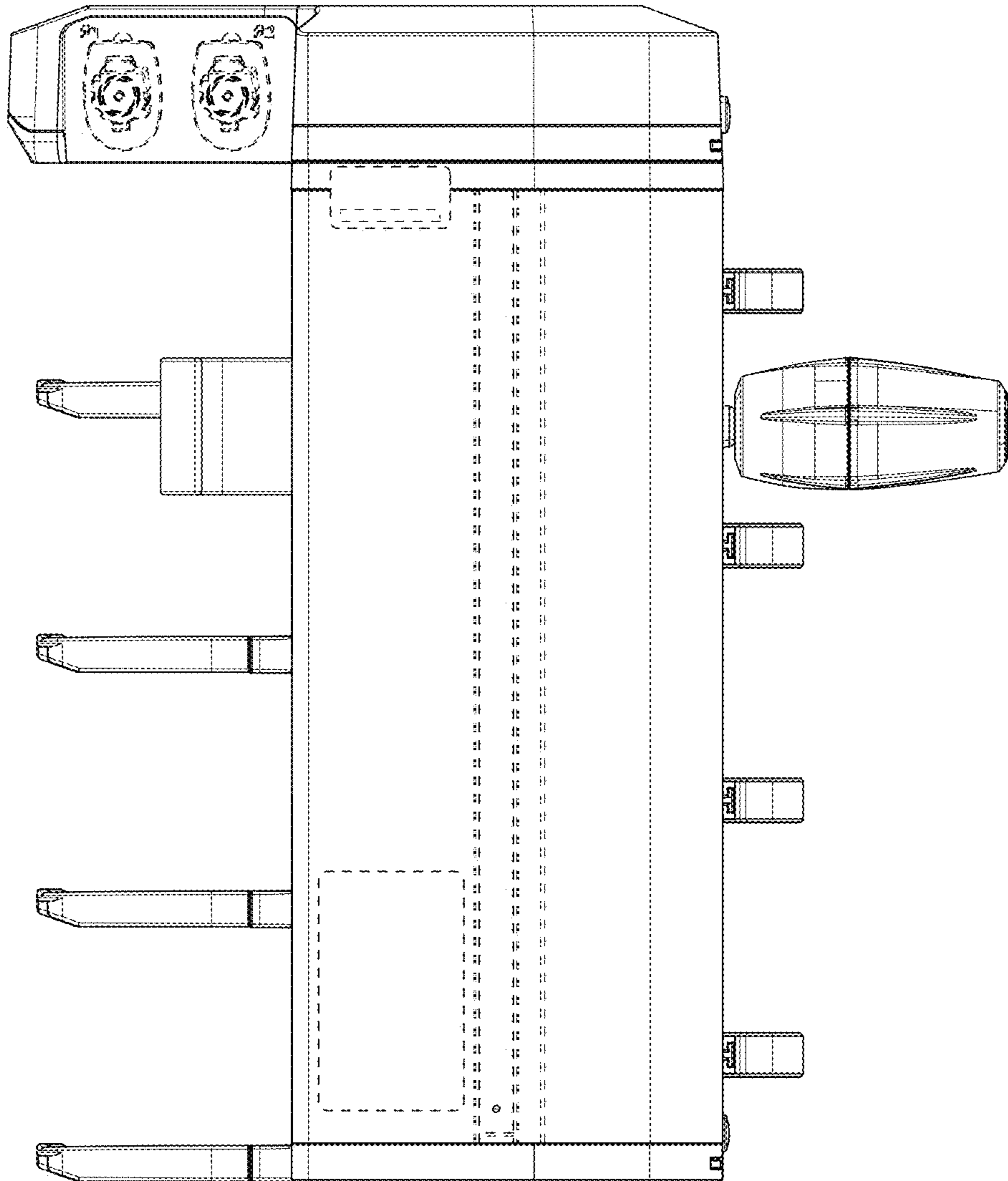


FIG. 4

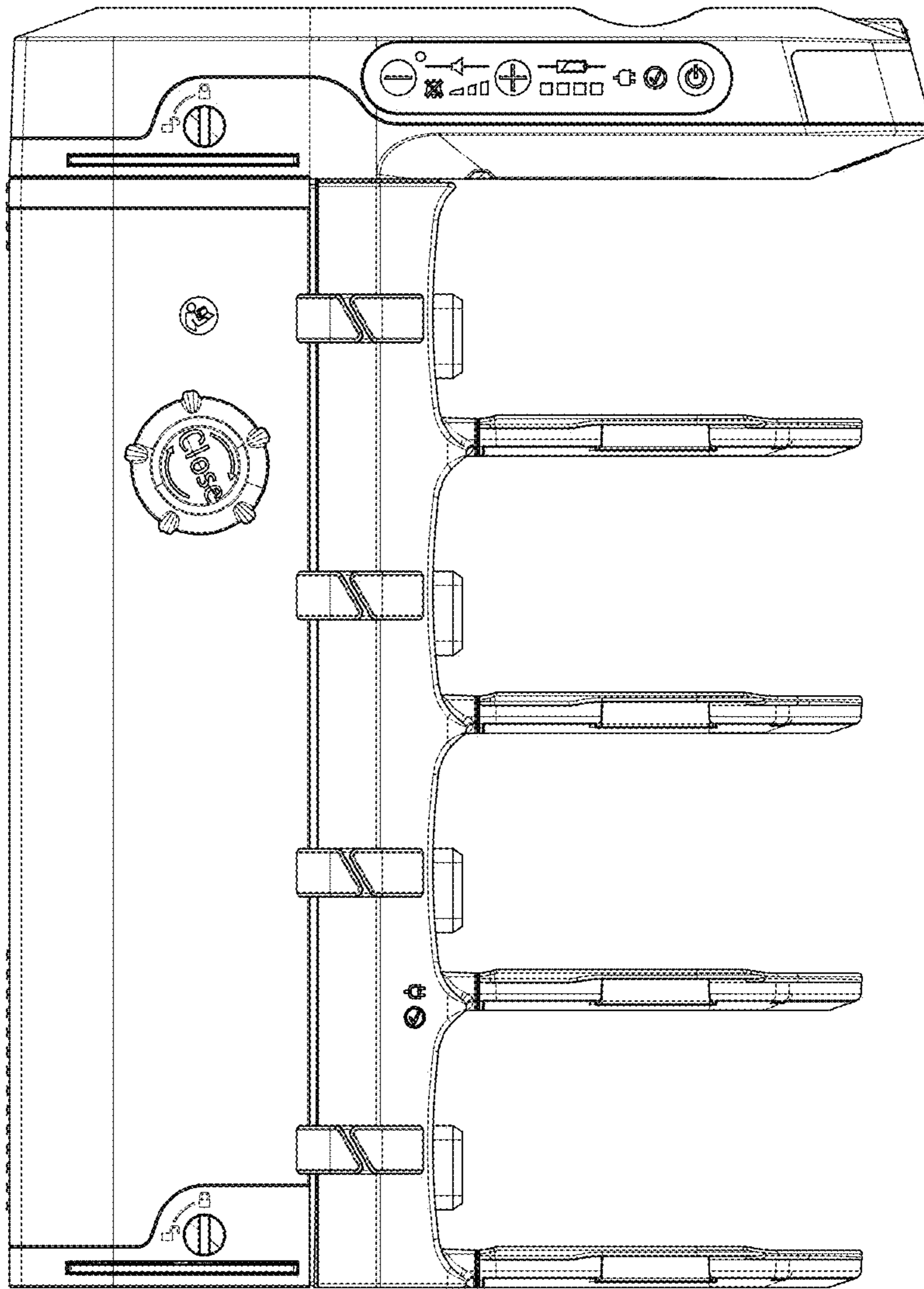


FIG. 5

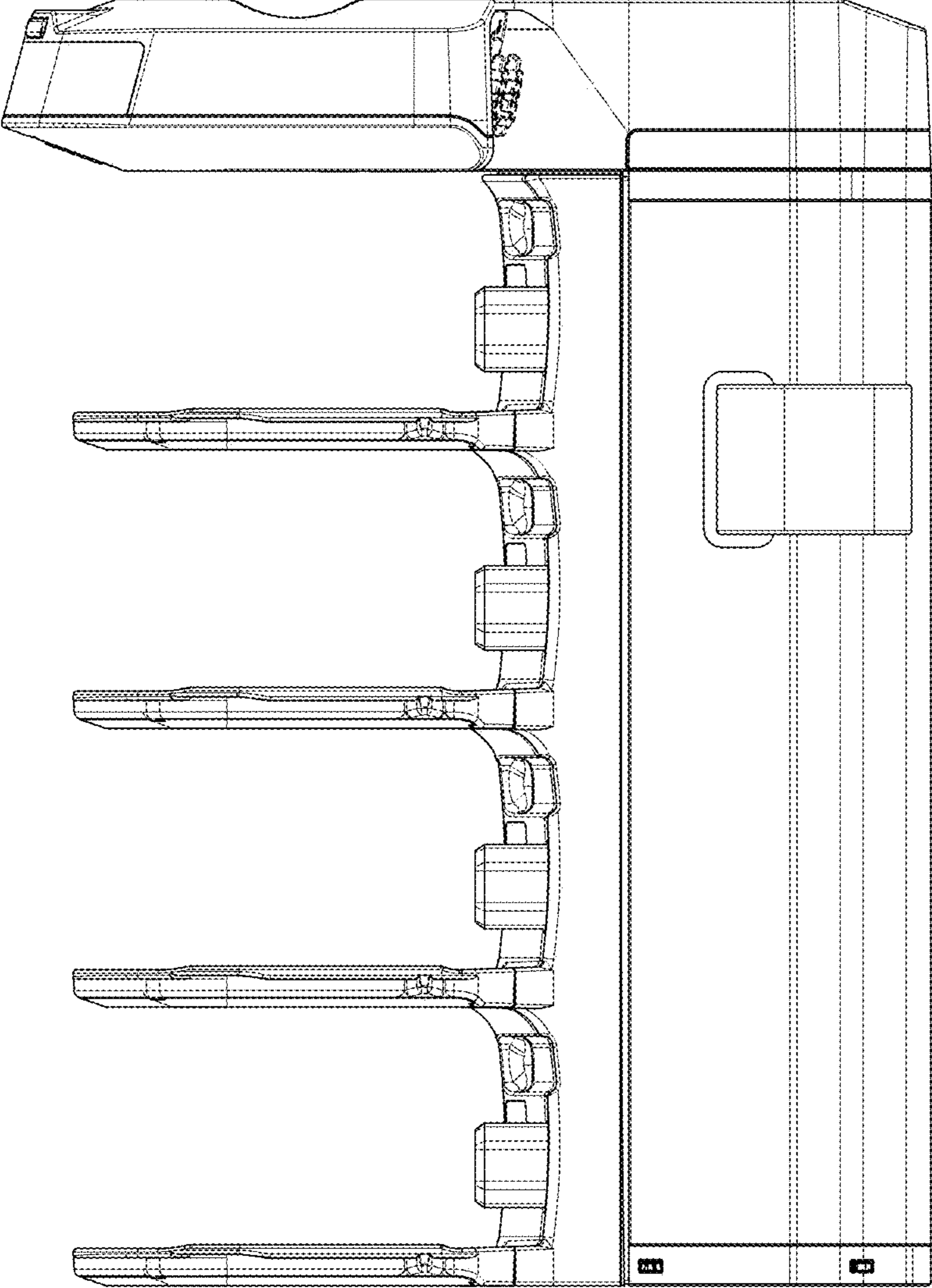


FIG. 6

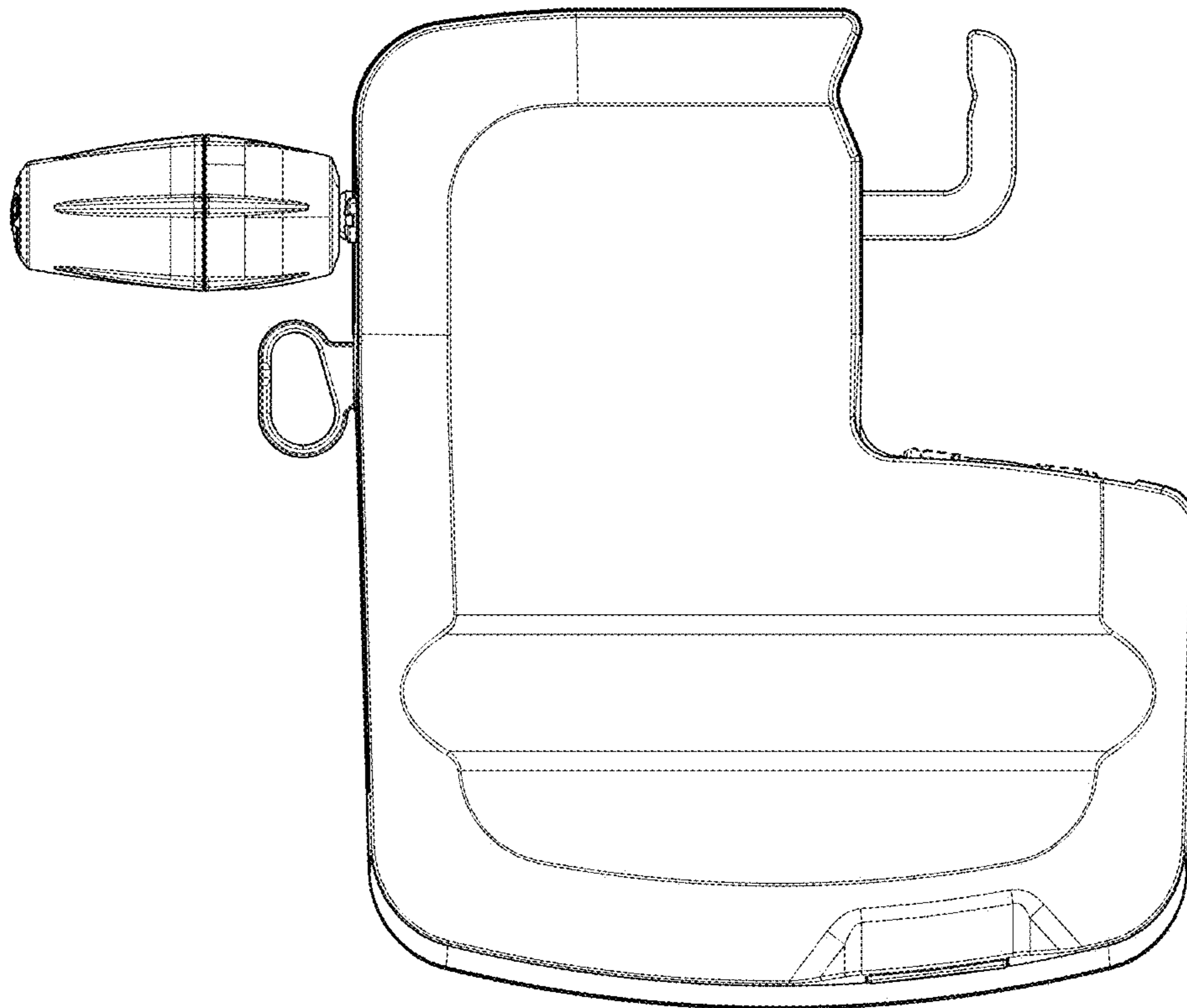


FIG. 7