



US00D979763S

(12) **United States Design Patent** (10) **Patent No.:** **US D979,763 S**  
**Personnelli et al.** (45) **Date of Patent:** **\*\* Feb. 28, 2023**

(54) **CONTROL PANEL**

FOREIGN PATENT DOCUMENTS

(71) Applicant: **GE Precision Healthcare LLC**,  
Milwaukee, WI (US)

CN 307077699 \* 1/2022  
JP D1703783 \* 3/2022  
WO WO-D216525-001 \* 3/2022

(72) Inventors: **Regis Gerard Personnelli**, Bois d'Arcy  
(FR); **Aurelie Boudier**, Bois d'Arcy  
(FR); **Adam Angiulli**, Pewaukee, WI  
(US)

OTHER PUBLICATIONS

Voluson S10, Jan. 3, 2018, youtube.com [online], [site visited Apr. 22, 2022], Available from internet: <https://www.youtube.com/watch?v=kdLrXOhdkXY> (Year: 2018).\*

(73) Assignee: **GE Precision Healthcare LLC**,  
Milwaukee, WI (US)

(Continued)

(\*\*) Term: **15 Years**

*Primary Examiner* — Wendy L Arminio

*Assistant Examiner* — Maheen Khurshid

(74) *Attorney, Agent, or Firm* — McCoy Russell LLP

(21) Appl. No.: **29/750,499**

(22) Filed: **Sep. 14, 2020**

(57) **CLAIM**

(51) **LOC (14) Cl.** ..... **24-02**

The ornamental design for a control panel, as shown and described.

(52) **U.S. Cl.**

USPC ..... **D24/185**

(58) **Field of Classification Search**

**DESCRIPTION**

USPC ..... D24/107, 169, 183–187, 216–234;  
D34/12, 19

CPC ..... A61M 1/14; A61M 1/3621; A61M  
2209/082; A61M 2209/084; A61M 1/28;  
A61M 1/1658; A61M 1/1666; A61M  
1/1696; A61B 6/4405; A61B 8/4405;  
A61B 8/462; A61B 8/467; A61B 50/13;  
A61G 12/001; F17D 3/00; G06F 3/0412

See application file for complete search history.

FIG. 1 is a top-front perspective view of a control panel according to the claimed design.  
FIG. 2 is a bottom-rear view of the control panel.  
FIG. 3 is a front view of the control panel.  
FIG. 4 is a rear view of the control panel.  
FIG. 5 is a left side view of the control panel.  
FIG. 6 is a right side view of the control panel.  
FIG. 7 is a top view of the control panel.  
FIG. 8 is a bottom view of the control panel; and,  
FIG. 9 is an enlarged sectional view of the control panel taken along line 9-9 in FIG. 7.

(56) **References Cited**

U.S. PATENT DOCUMENTS

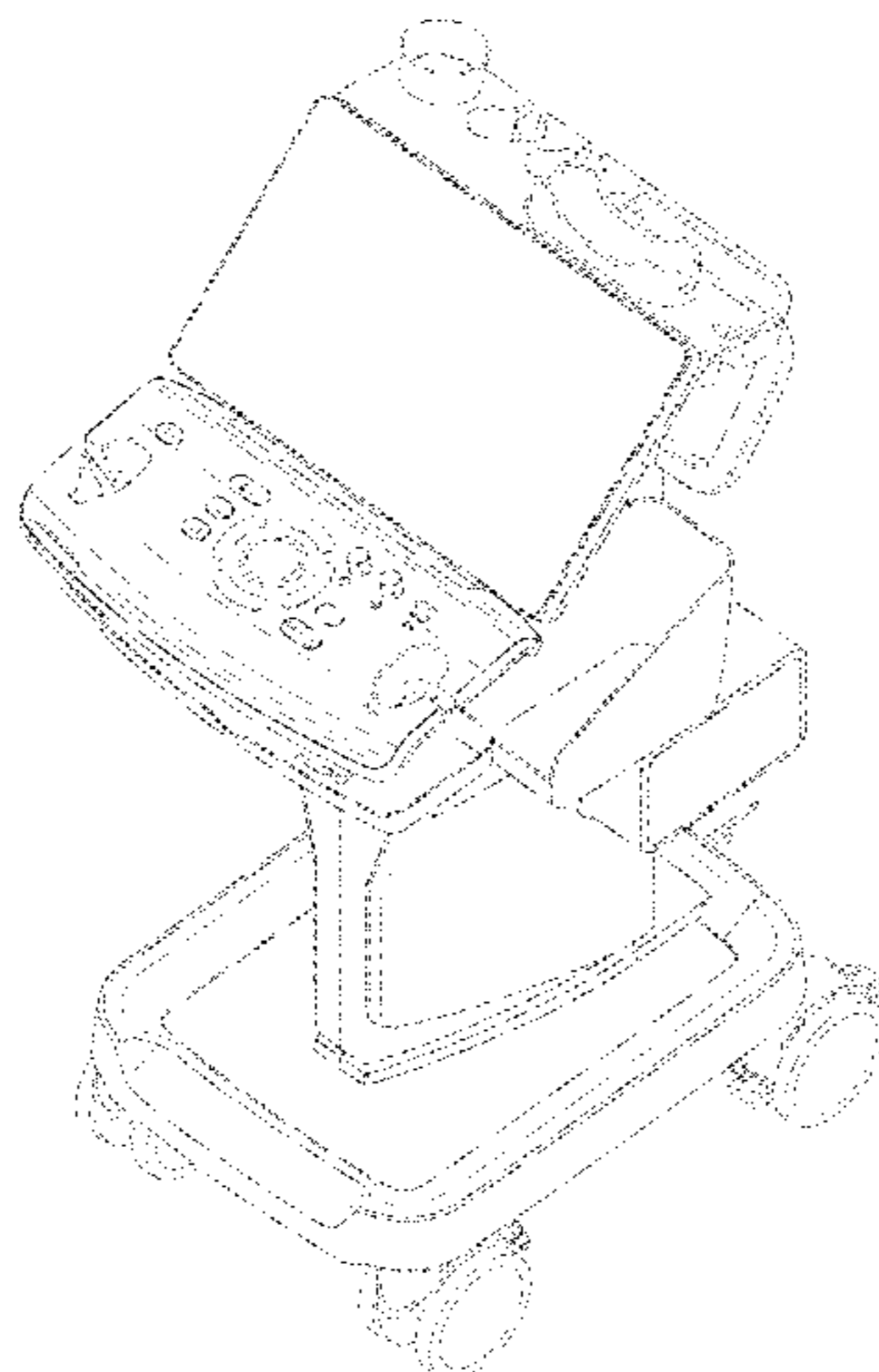
D518,267 S \* 3/2006 Arceta ..... D34/14  
D662,208 S \* 6/2012 Otoha ..... D24/185  
D708,331 S \* 7/2014 Kim ..... D24/185  
D716,447 S \* 10/2014 Kim ..... D24/185  
D723,168 S \* 2/2015 Tong ..... D24/158

The dash-dash broken lines in the drawings illustrate portions of the control panel and environmental subject matter that form no part of the claimed design.

The dash-dot broken lines in FIGS. 7 and 9 of the drawings indicating the sectional line and enlarged view form no part of the claimed design.

(Continued)

(Continued)



The broken line hatch shading in FIG. 9 of the drawings illustrates interior portions of the control panel that form no part of the claimed design.

**1 Claim, 9 Drawing Sheets**

D916,880	S	*	4/2021	Henry	.....	D14/488
D923,667	S	*	6/2021	Mochizuki	.....	D15/89
D932,629	S	*	10/2021	Ruff	.....	D24/185
D932,630	S	*	10/2021	Ruff	.....	D24/185
D938,045	S	*	12/2021	Gupta	.....	D24/185
2007/0270694	A1	*	11/2007	Pelissier	.....	A61B 8/00 600/443

(56)

**References Cited**

U.S. PATENT DOCUMENTS

D735,868	S	*	8/2015	Mareguddi	.....	D24/185
D750,787	S	*	3/2016	Asad	.....	D24/185
D777,927	S	*	1/2017	Choudhary	.....	D24/167
D804,673	S	*	12/2017	Shin	.....	D24/186
D836,781	S	*	12/2018	Meurer	.....	D24/185
D852,962	S	*	7/2019	Chang	.....	D24/185
D855,190	S	*	7/2019	Wu	.....	D24/185
D863,559	S	*	10/2019	Brooks	.....	D24/185
D871,588	S	*	12/2019	Schultz	.....	D24/185
D872,284	S	*	1/2020	Köppel	.....	D24/185

OTHER PUBLICATIONS

Logiq S7 GE Healthcare, Nov. 15, 2012, youtube.com [online], [site visited Apr. 22, 2022], Available from internet: <<https://www.youtube.com/watch?v=gDZtcKNipgA>> (Year: 2012).\*

E-Cube i7, Sep. 25, 2019, youtube.com [online], [site visited Apr. 28, 2022], Available from internet: <<https://www.youtube.com/watch?v=Z8eZhulszmw>> (Year: 2019).\*

Personelli, R. et al., "An Ornamental Design for a Cart," U.S. Appl. No. 29/750,496, filed Sep. 14, 2020, 25 pages.

Personelli, R. et al., "An Ornamental Design for a Cart," U.S. Appl. No. 29/750,498, filed Sep. 14, 2020, 19 pages.

\* cited by examiner

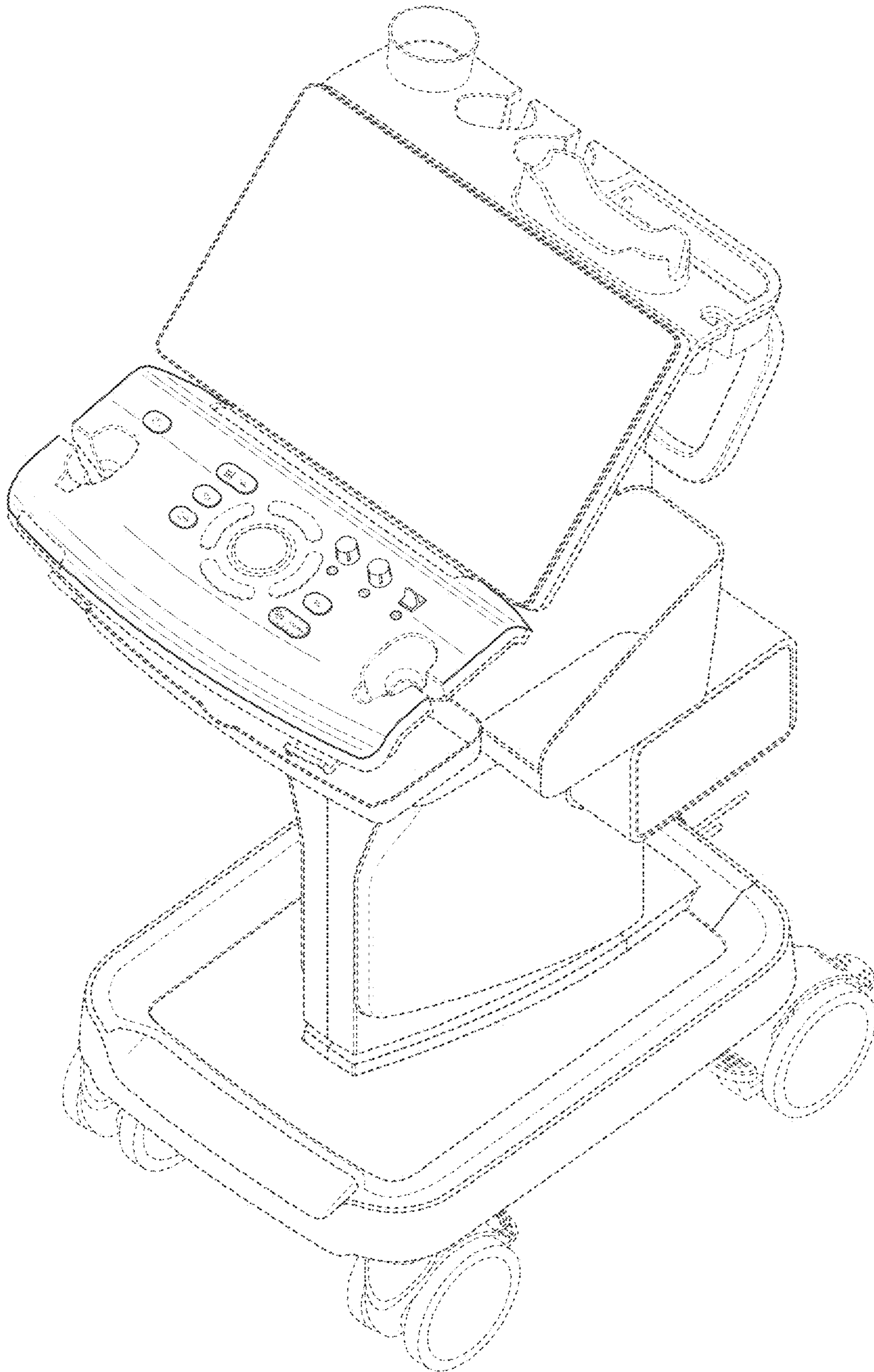


FIG. 1

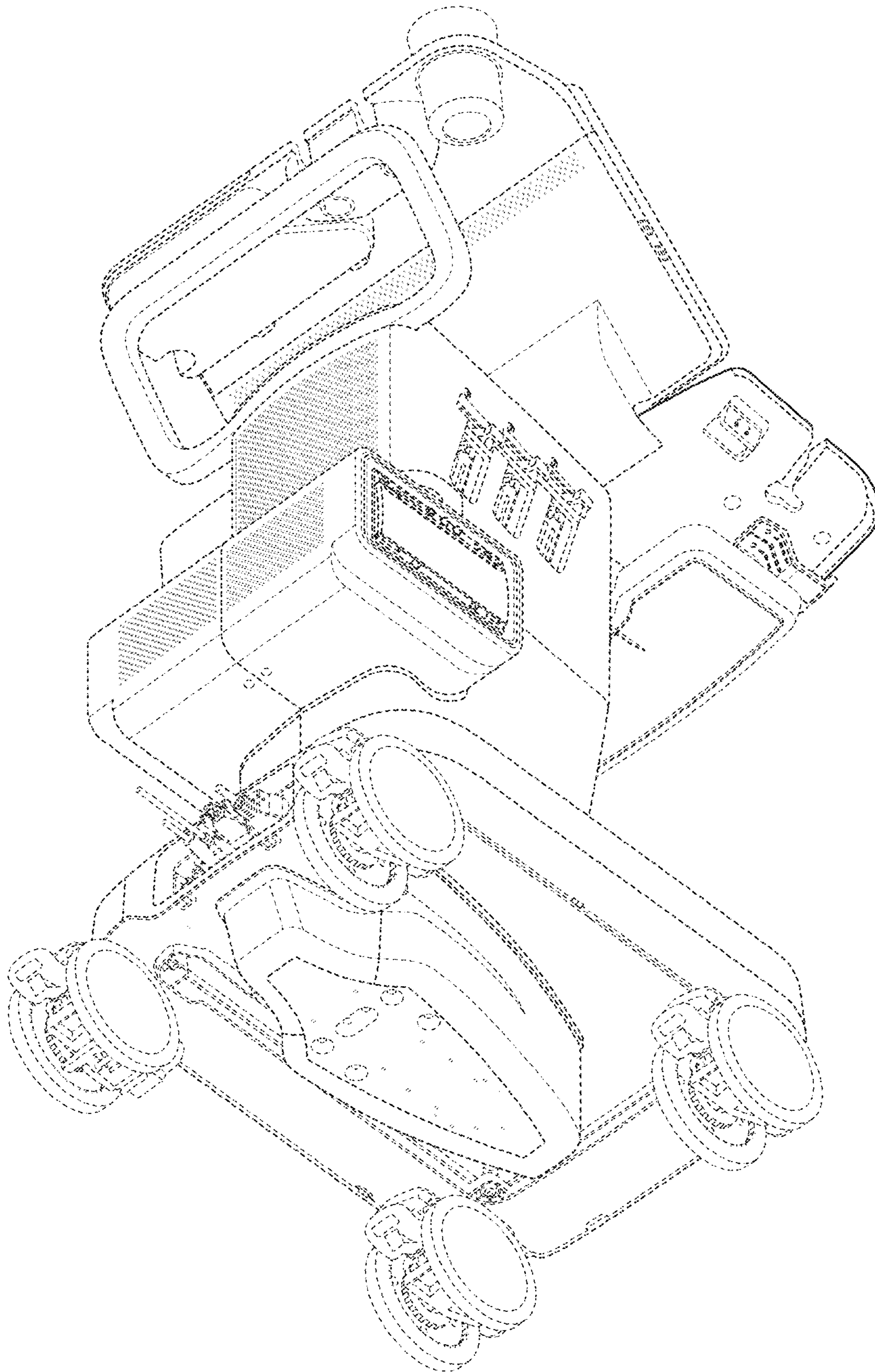


FIG. 2

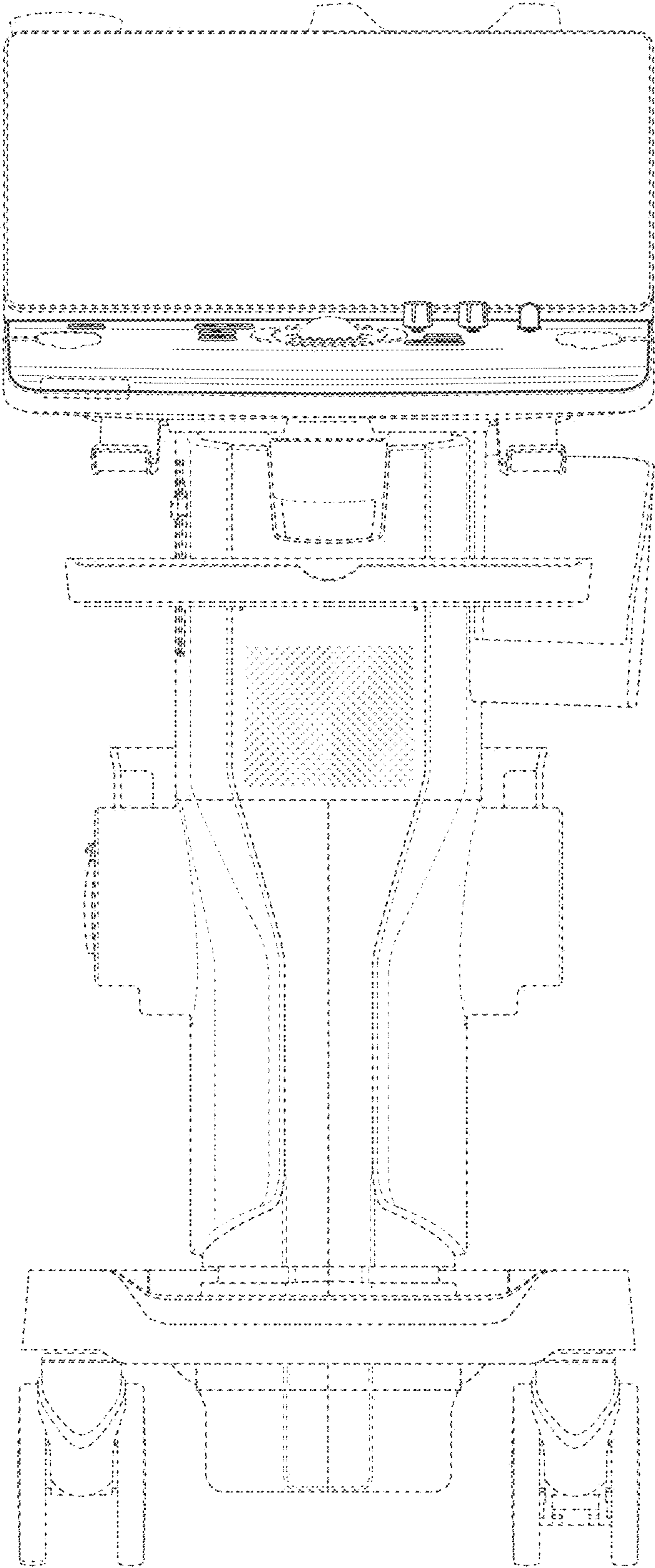


FIG. 3

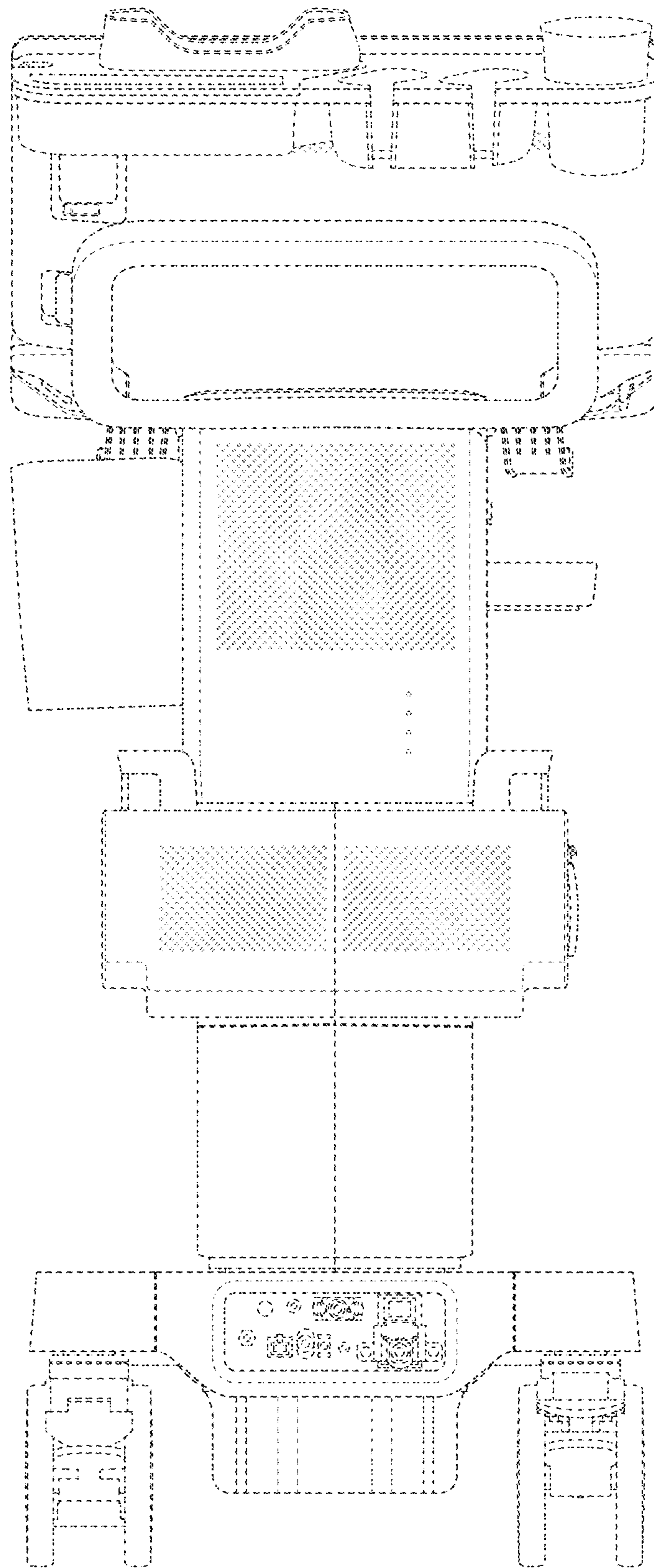


FIG. 4

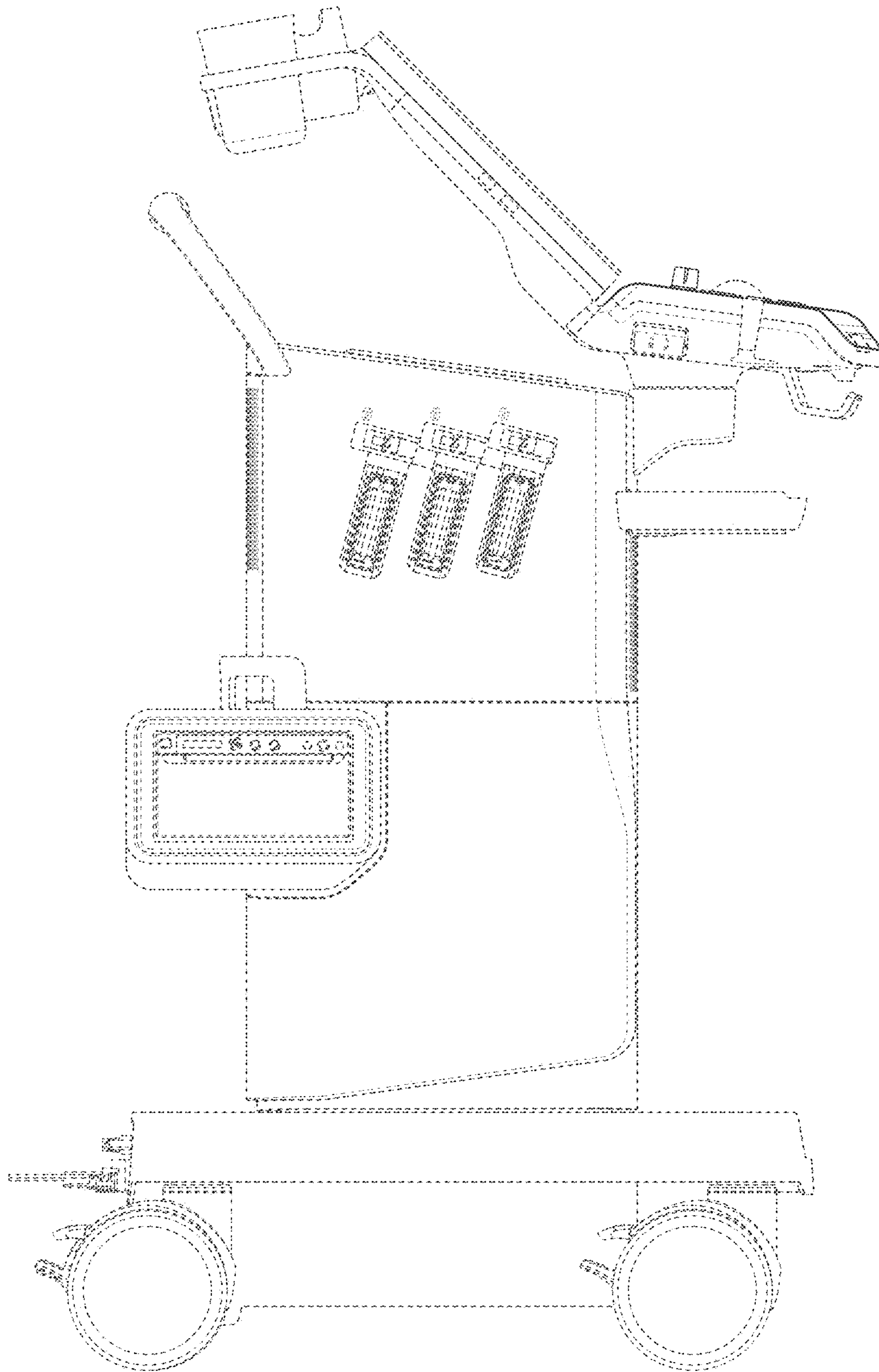


FIG. 5

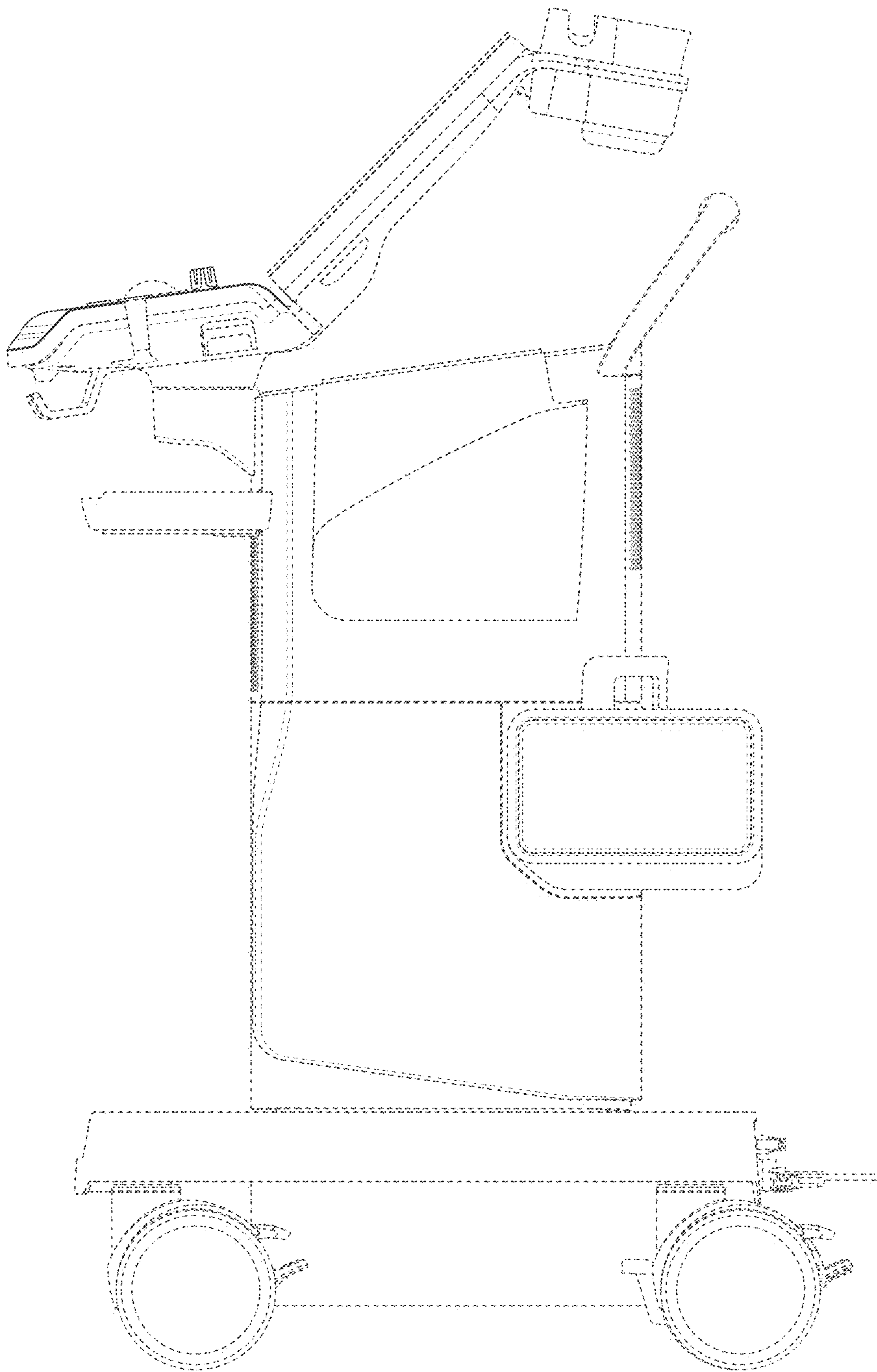


FIG. 6



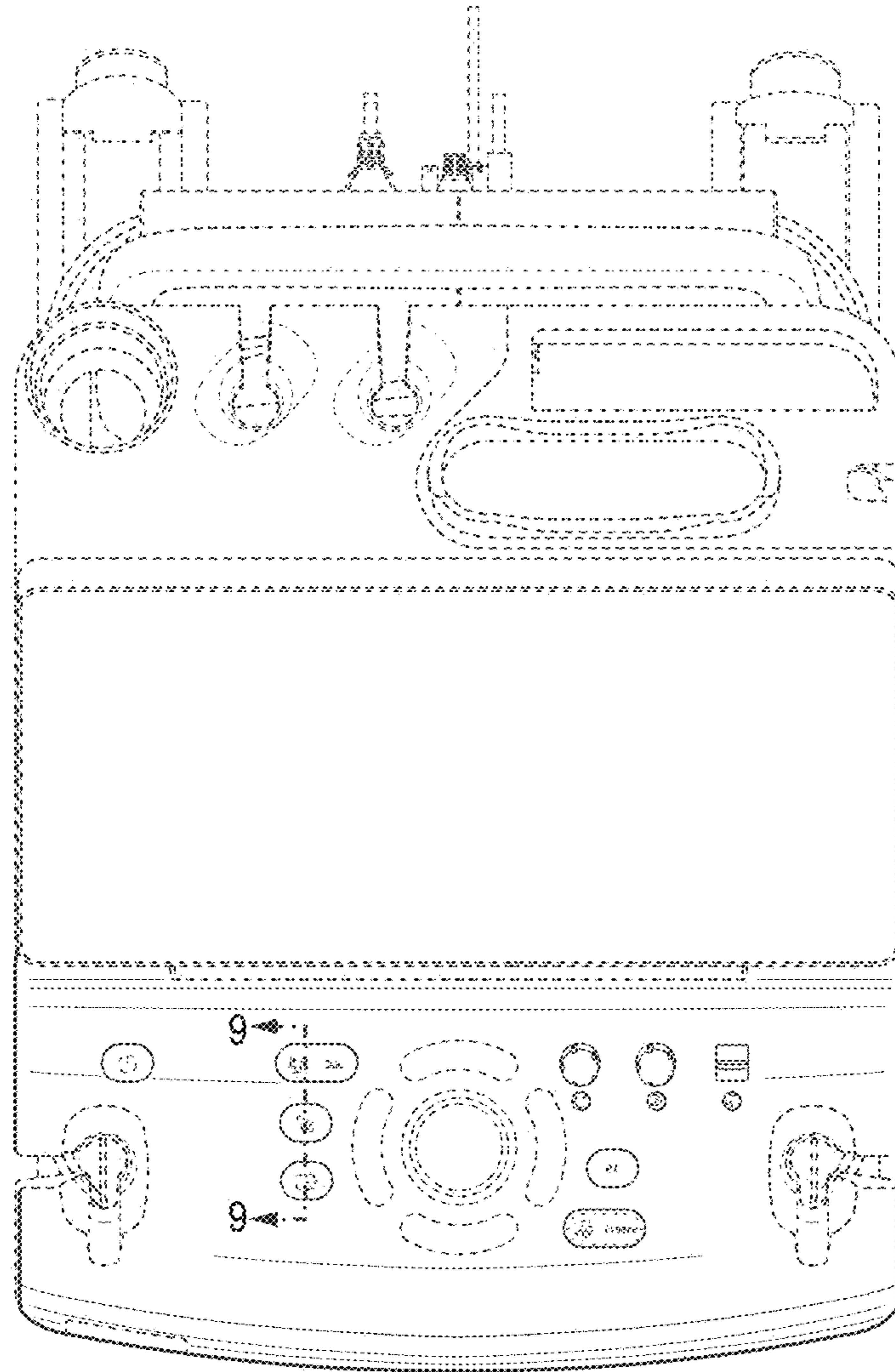


FIG. 7

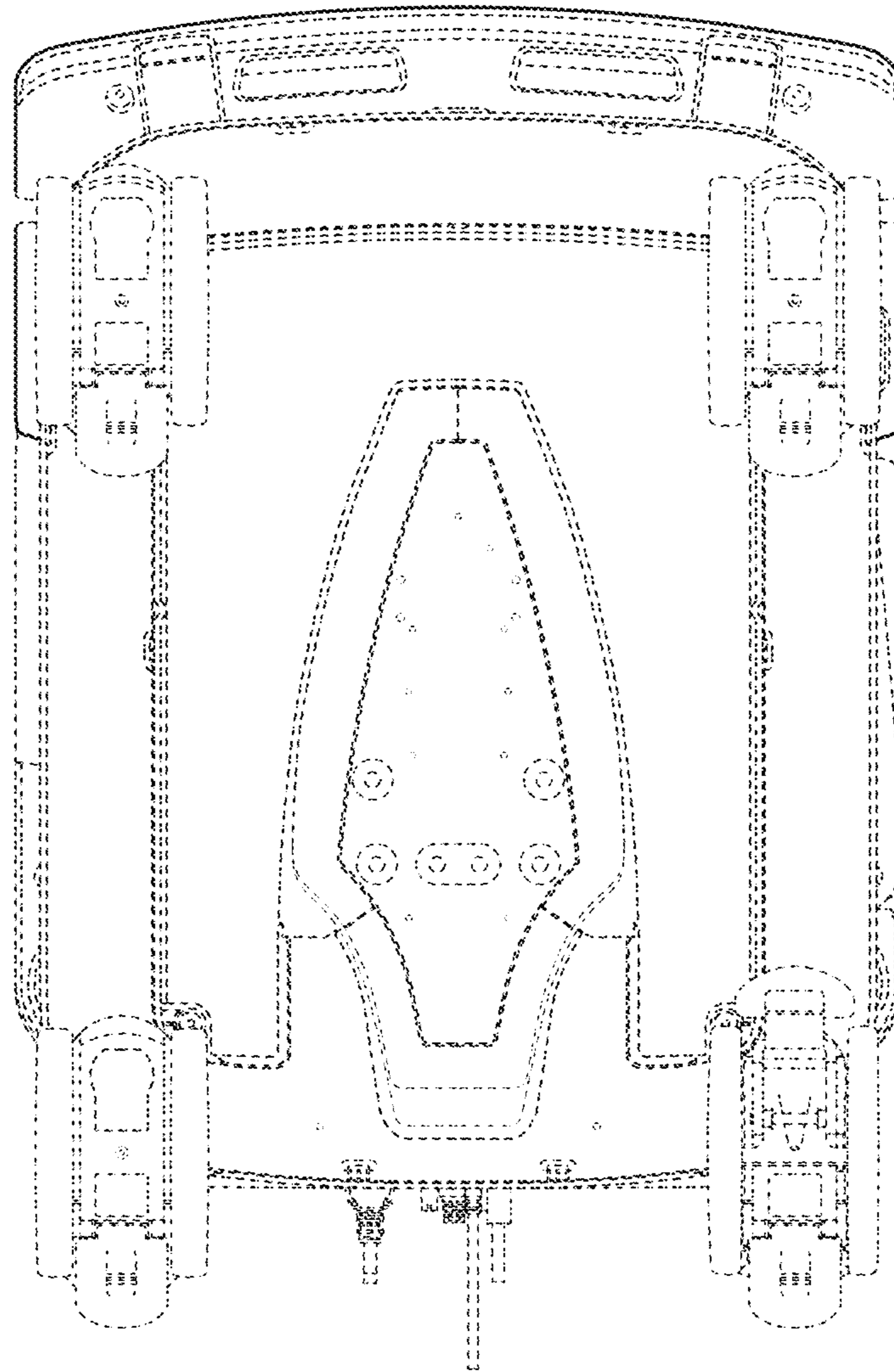


FIG. 8

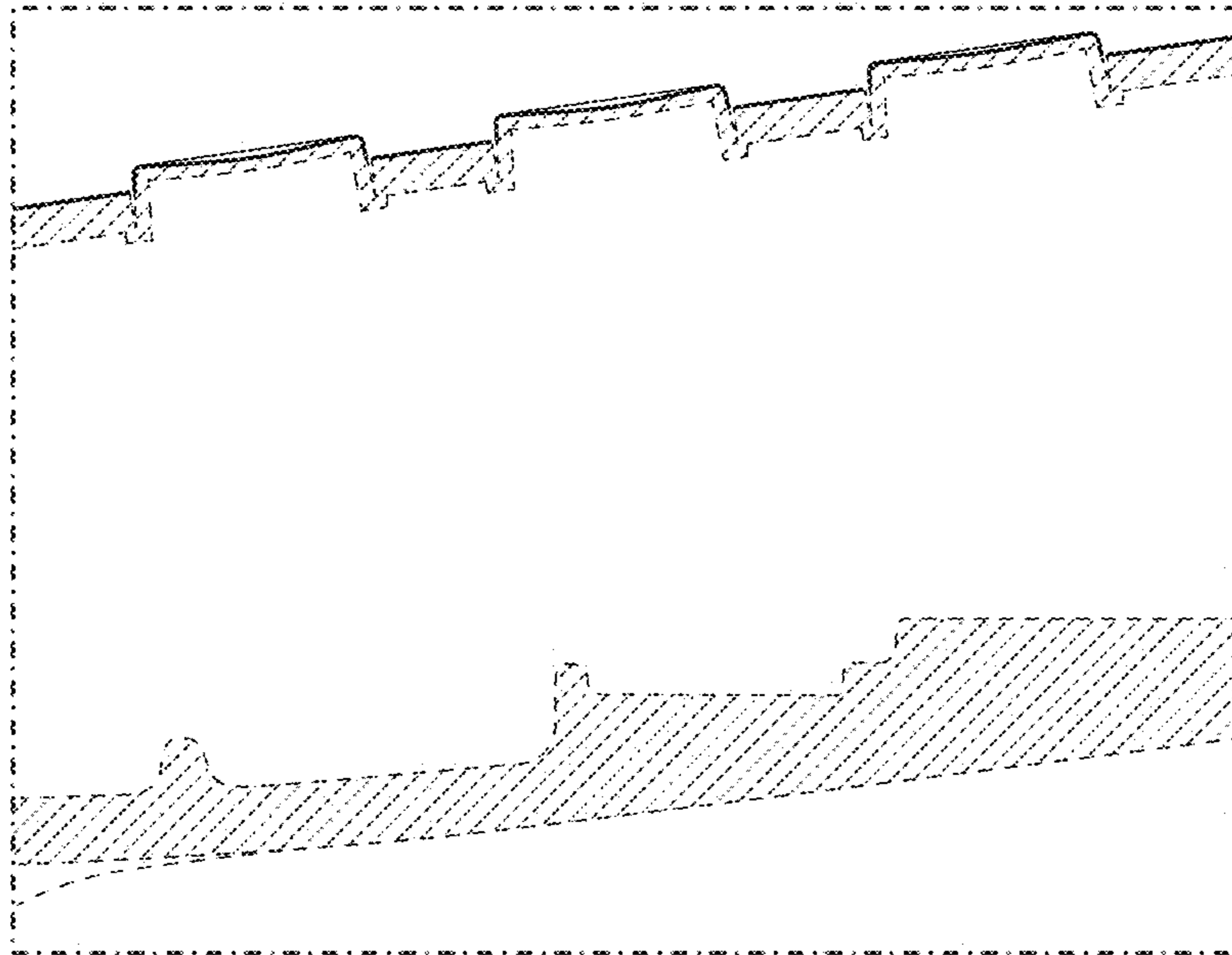


FIG. 9