



US00D979762S

(12) **United States Design Patent**
Lemon

(10) **Patent No.:** **US D979,762 S**

(45) **Date of Patent:** **** Feb. 28, 2023**

(54) **SUPPORT INSERT FOR SURGERY BED**
(71) Applicant: **Jerry L. Lemon**, Little Rock, AR (US)
(72) Inventor: **Jerry L. Lemon**, Little Rock, AR (US)
(**) Term: **15 Years**

(21) Appl. No.: **29/799,231**
(22) Filed: **Jul. 13, 2021**
(51) **LOC (14) Cl.** **24-02**
(52) **U.S. Cl.**
USPC **D24/184**
(58) **Field of Classification Search**
USPC D24/107, 158-161, 171, 183-184, 188,
D24/190-191, 200, 201, 211, 215;
D6/595-596, 601, 604, 605, 610, 716.2,
D6/716.3, 718, 718.3; D12/133;
D29/100, 101.1; D34/33
CPC A61G 7/00; A61G 7/0507; A61G 13/107;
A61G 13/10; A61G 13/1235; A61G
2210/50; A61B 6/04; A61B 6/0407; A61B
6/0487; A61F 5/3723; A61F 5/3761
See application file for complete search history.

(56) **References Cited**

U.S. PATENT DOCUMENTS

2,029,856 A * 2/1936 Collette D06F 83/00
D6/610
2,116,171 A 5/1938 Harris
2,607,929 A 8/1952 Balluff
2,607,932 A 8/1952 Doyle
2,681,454 A 6/1954 Tallman
2,872,259 A * 2/1959 Thorpe A61G 13/00
5/624
3,064,278 A 11/1962 Broyles
3,129,438 A 4/1964 Hall
3,327,328 A 6/1967 Slivoski
3,959,833 A 6/1976 Burke
4,045,011 A * 8/1977 Ford A61G 13/12
5/606

4,247,091 A 1/1981 Glowacki
D270,588 S * 9/1983 Kemple D6/406.1
5,134,737 A 8/1992 Wyman
5,513,406 A 5/1996 Foster

(Continued)

Primary Examiner — Omeed Agilee

(74) *Attorney, Agent, or Firm* — Stephen D. Carver

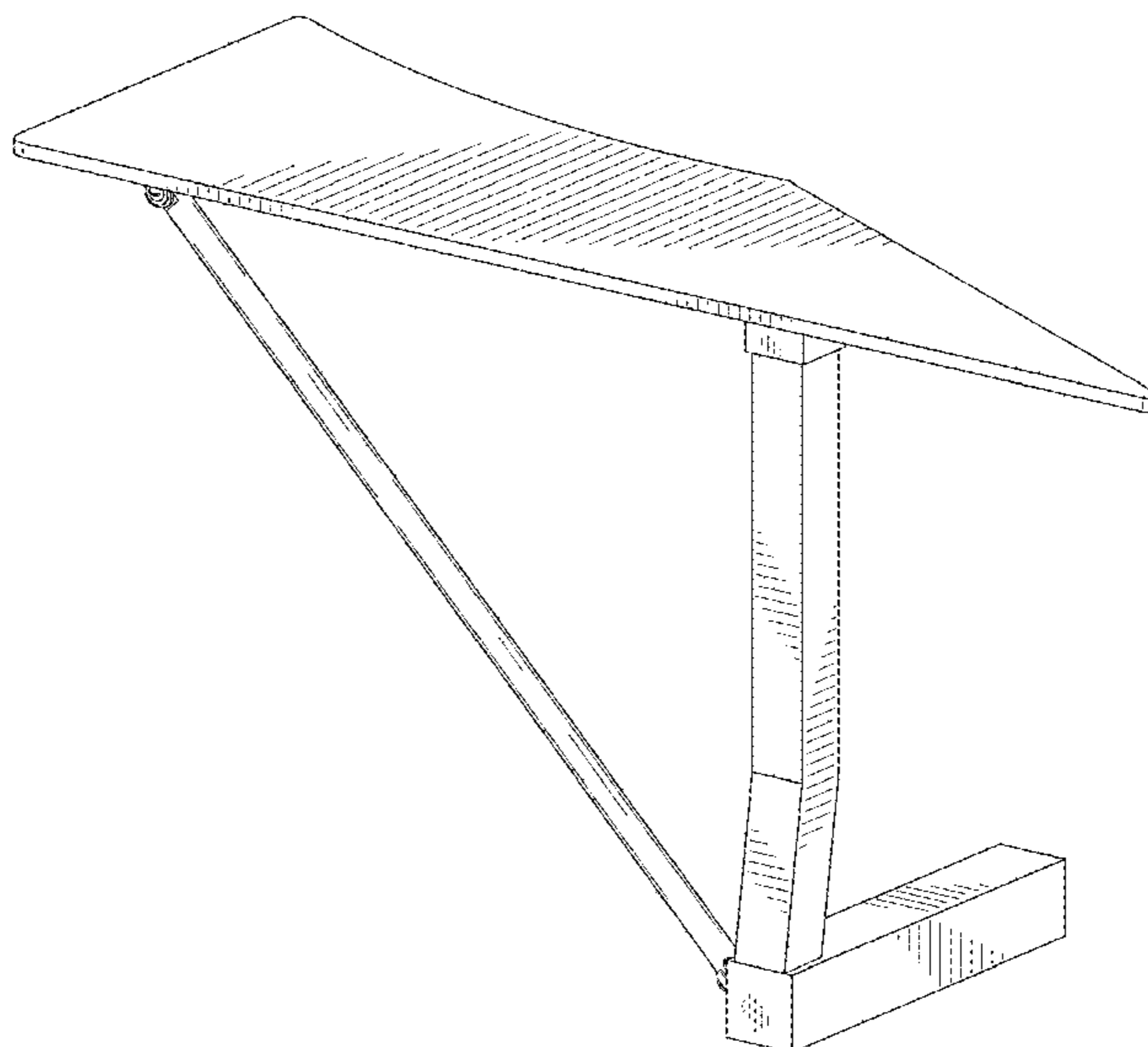
(57) **CLAIM**

The ornamental design for a support insert for surgery bed, as shown and described.

DESCRIPTION

FIG. 1 is a front isometric view of a support insert for surgery bed showing the left side configuration; FIG. 2 is a rear right isometric view thereof; FIG. 3 is a rear left isometric view thereof; FIG. 4 is a top plan view thereof; FIG. 5 is a bottom plan view thereof; FIG. 6 is a left side elevation view thereof; FIG. 7 is a right side elevation view thereof; FIG. 8 is a front elevation view thereof; FIG. 9 is a rear elevation view thereof; FIG. 10 is a front isometric thereof in a state of use attached to a surgery bed; FIG. 11 is a front isometric view of the support insert for surgery bed showing the right side configuration; FIG. 12 is a rear right isometric view thereof; FIG. 13 is a rear left isometric view thereof; FIG. 14 is a top plan view thereof; FIG. 15 is a bottom plan view thereof; FIG. 16 is a left side elevation view thereof; FIG. 17 is a right side elevation view thereof; FIG. 18 is a front elevation view thereof; FIG. 19 is a rear elevation view thereof; and, FIG. 20 is a front isometric thereof in a state of use attached to a surgery bed. The dashed lines in the drawings depict environmental subject matter and form no part of the claimed design.

1 Claim, 16 Drawing Sheets



(56)

References Cited

U.S. PATENT DOCUMENTS

D398,173	S	*	9/1998	Velez	D6/601
6,047,422	A		4/2000	Yousif		
D471,388	S	*	3/2003	Wang	D6/716.3
D535,505	S	*	1/2007	Cai	D6/366
D581,704	S	*	12/2008	Hwang	D6/656.15
D699,061	S	*	2/2014	Smith	D6/716.2
D791,954	S	*	7/2017	Wapler	D24/183
D802,148	S	*	11/2017	Lavin	D24/184
D820,986	S	*	6/2018	Patil	D24/158
D824,032	S	*	7/2018	Poulsen	D24/159
D872,864	S	*	1/2020	Marcil	D24/184
D899,603	S	*	10/2020	Casazza	D24/184
2011/0047705	A1		3/2011	Gorovitz		

* cited by examiner

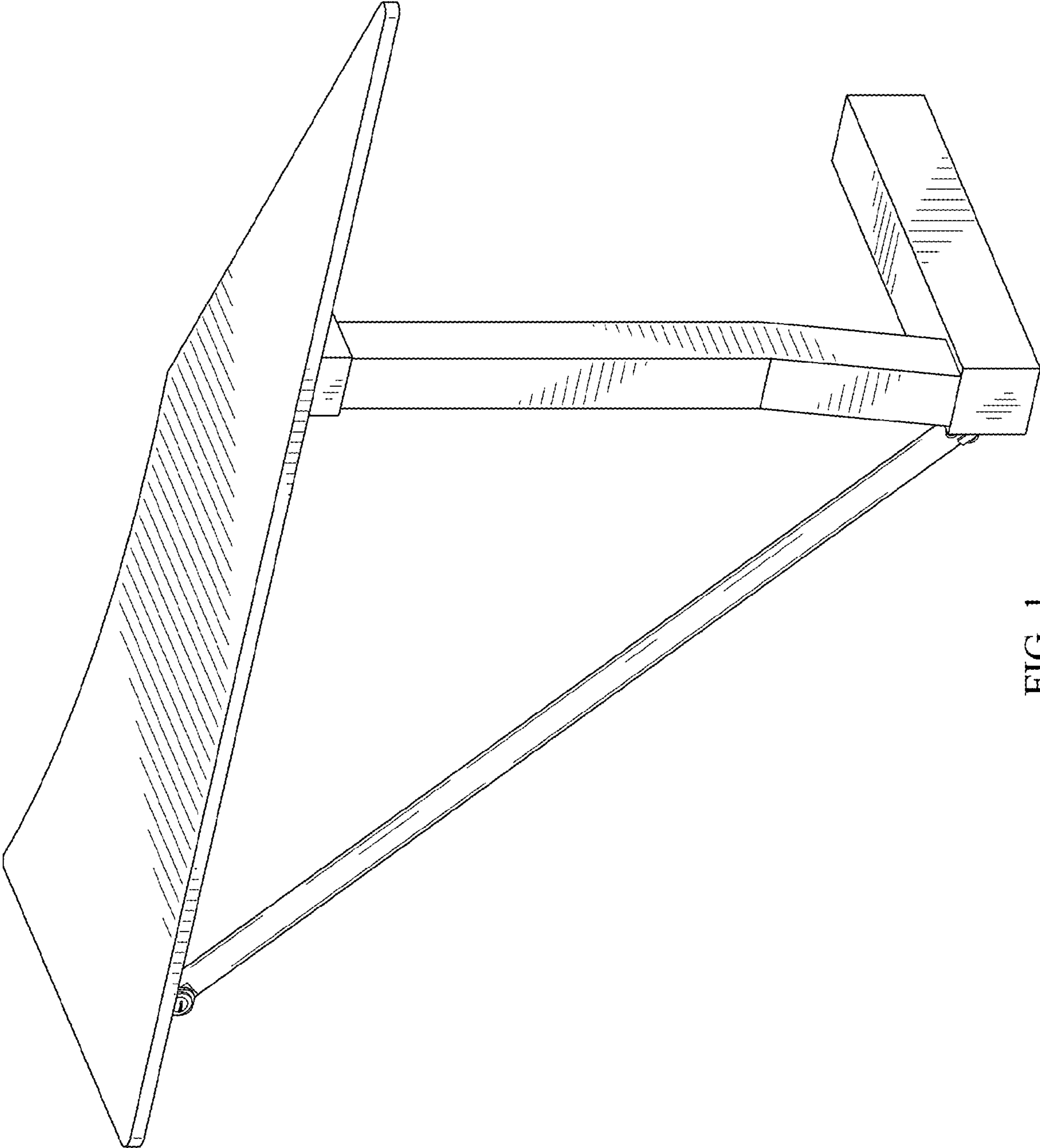


FIG. 1

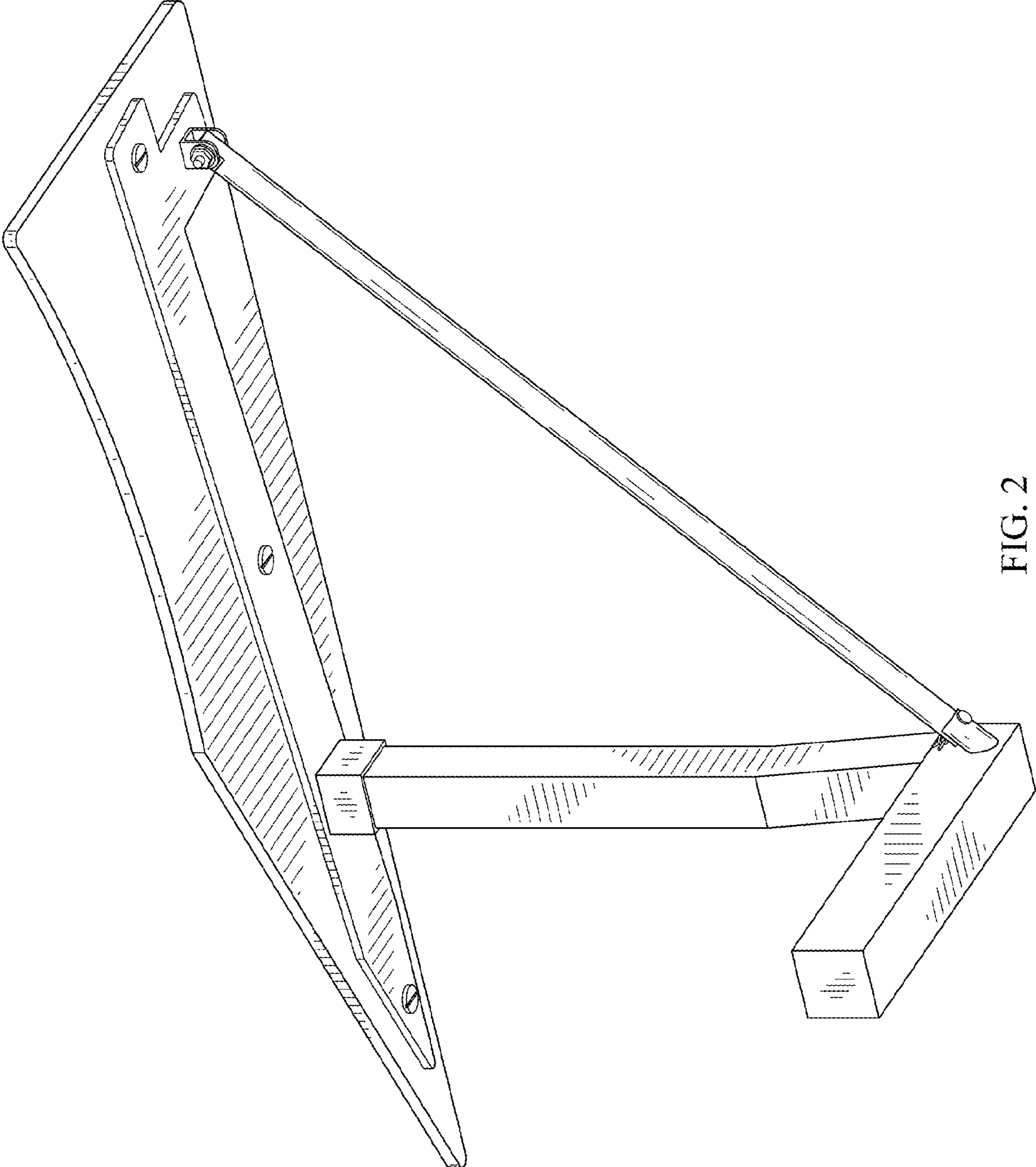


FIG. 2

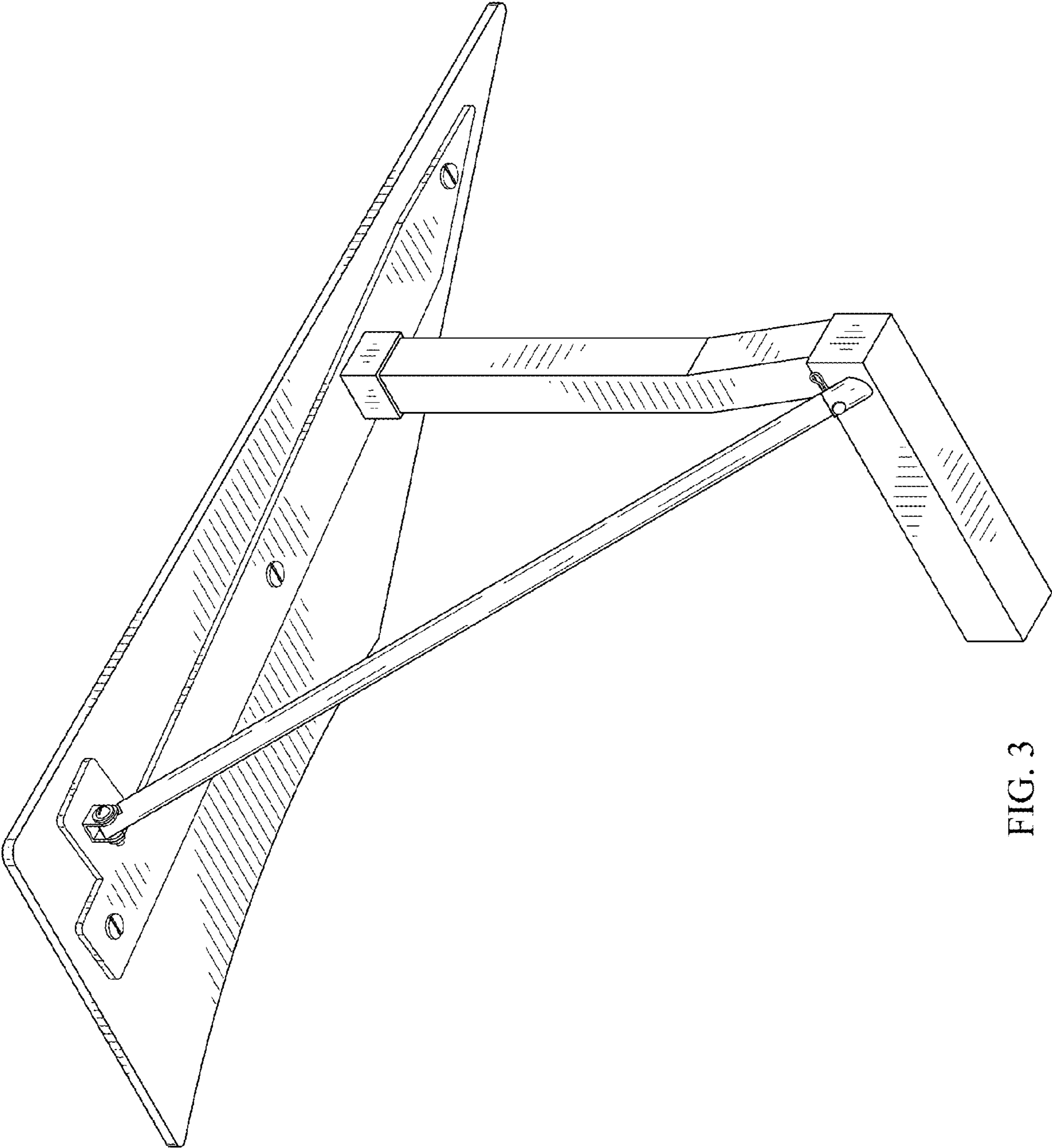


FIG. 3

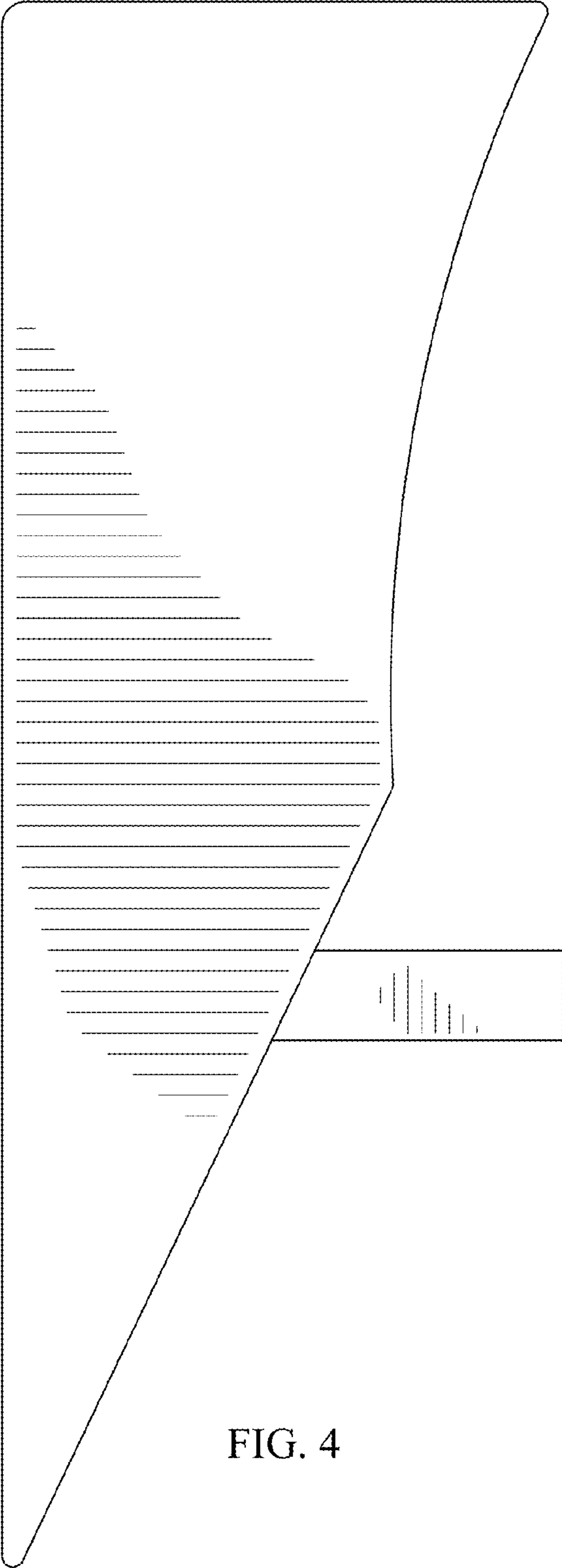


FIG. 4

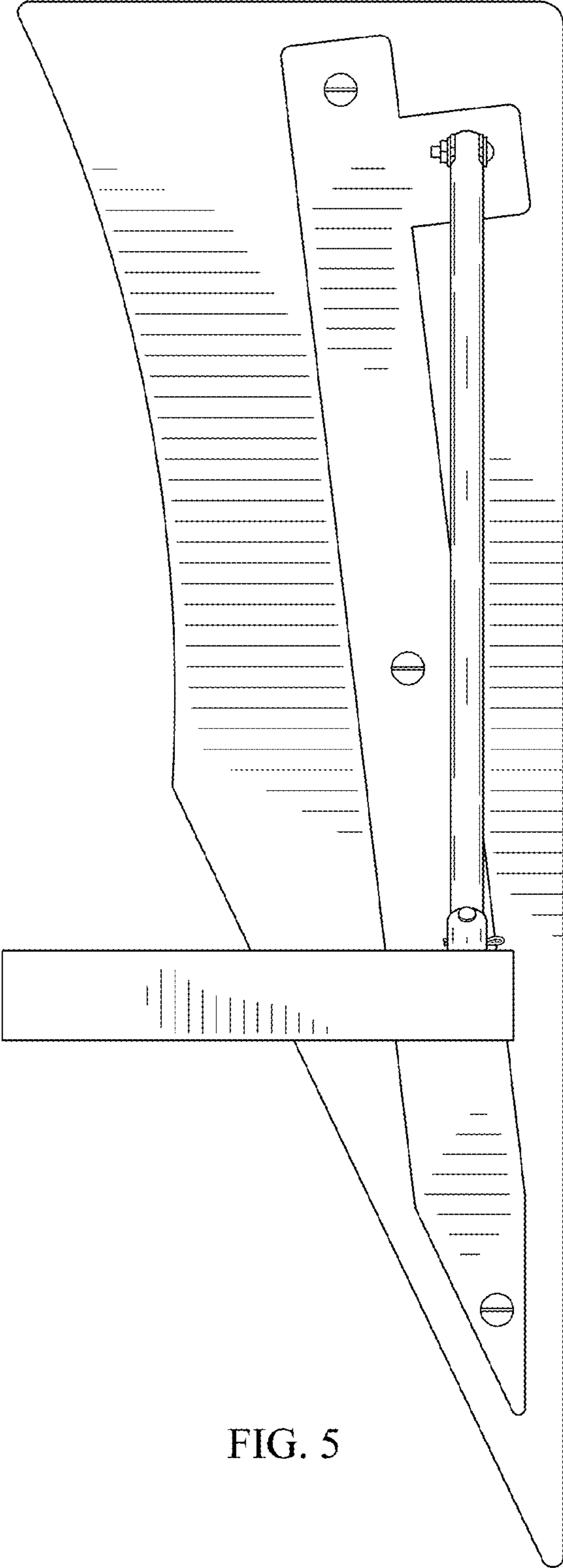


FIG. 5

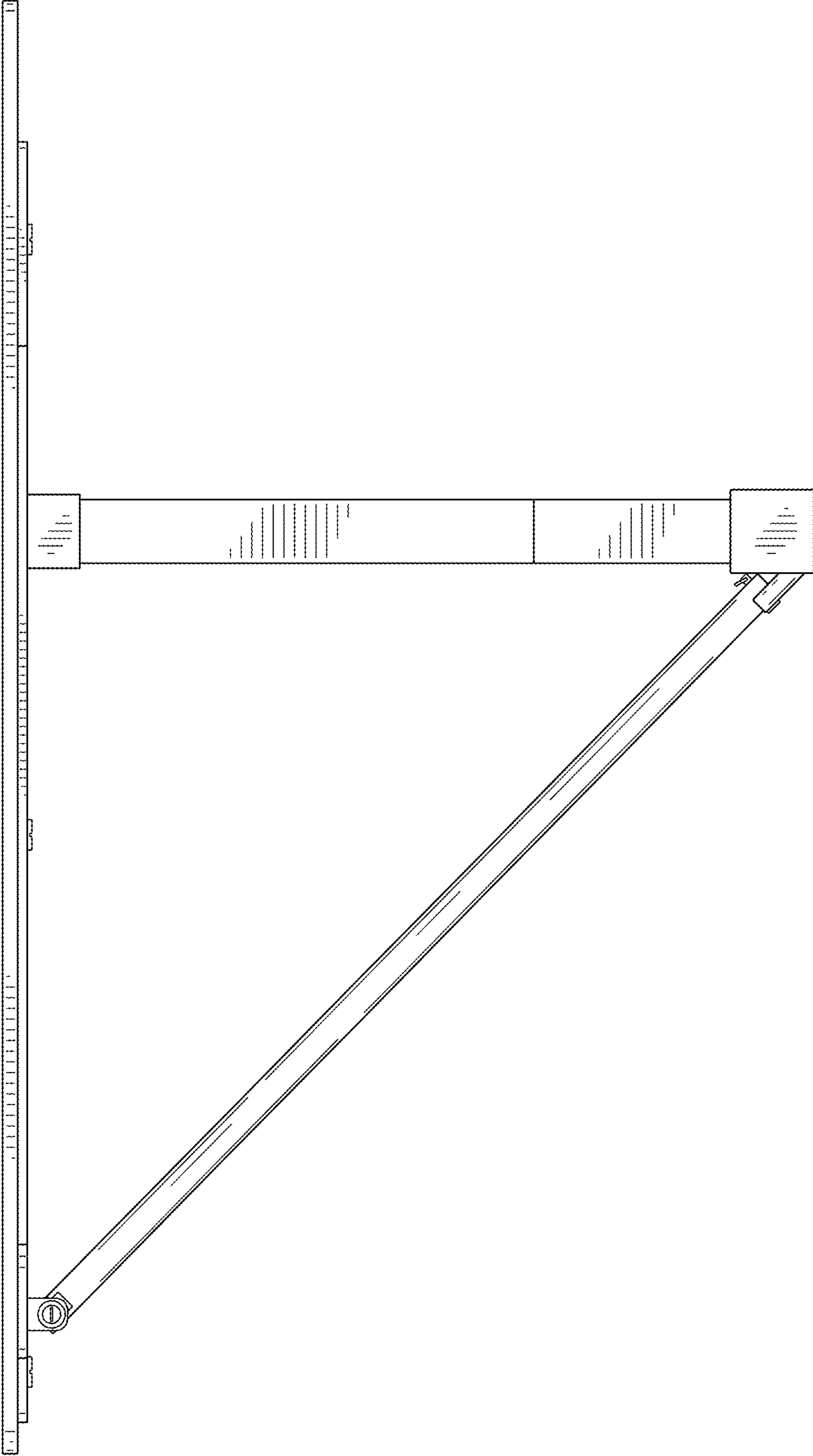


FIG. 6

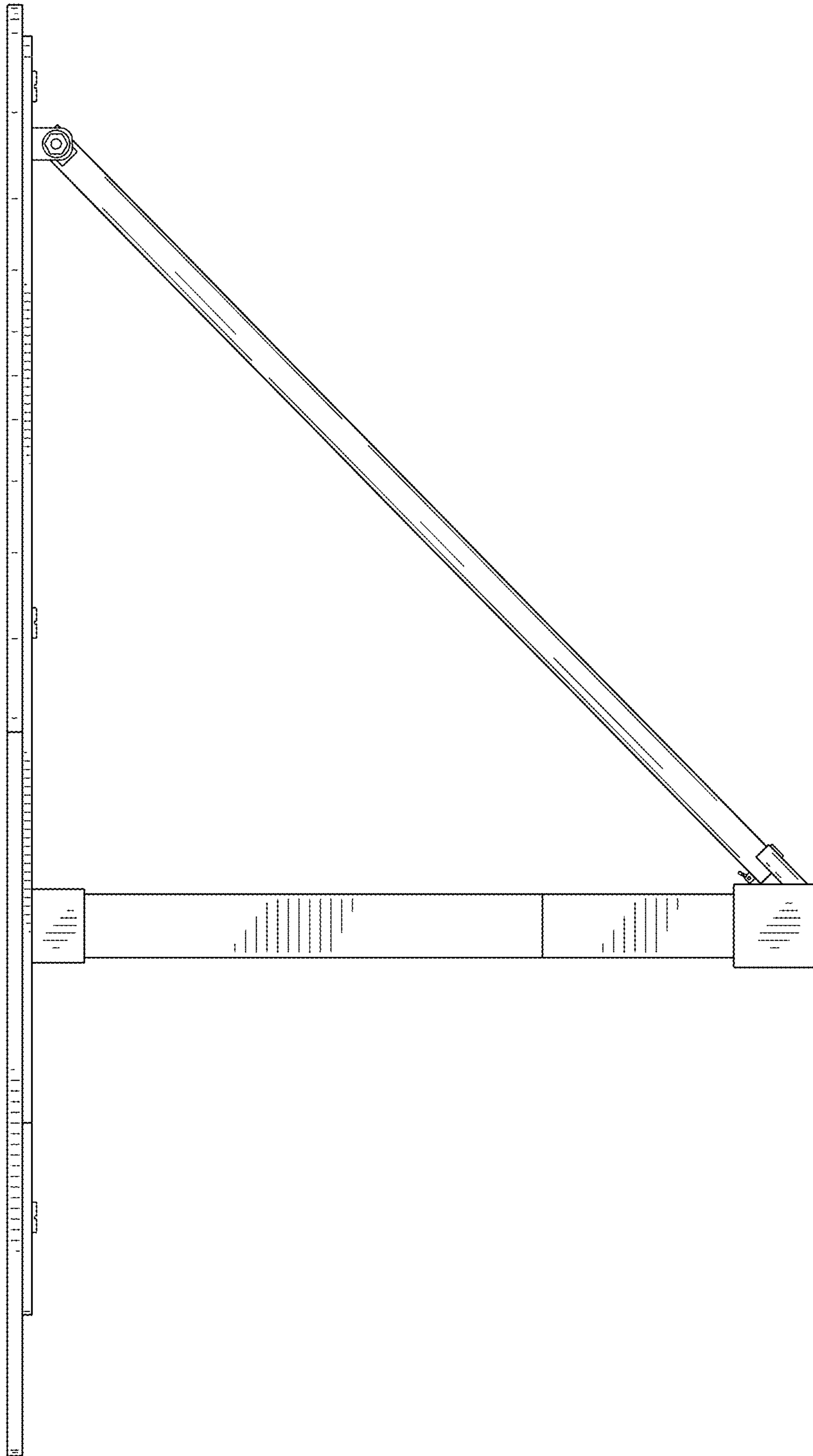


FIG. 7

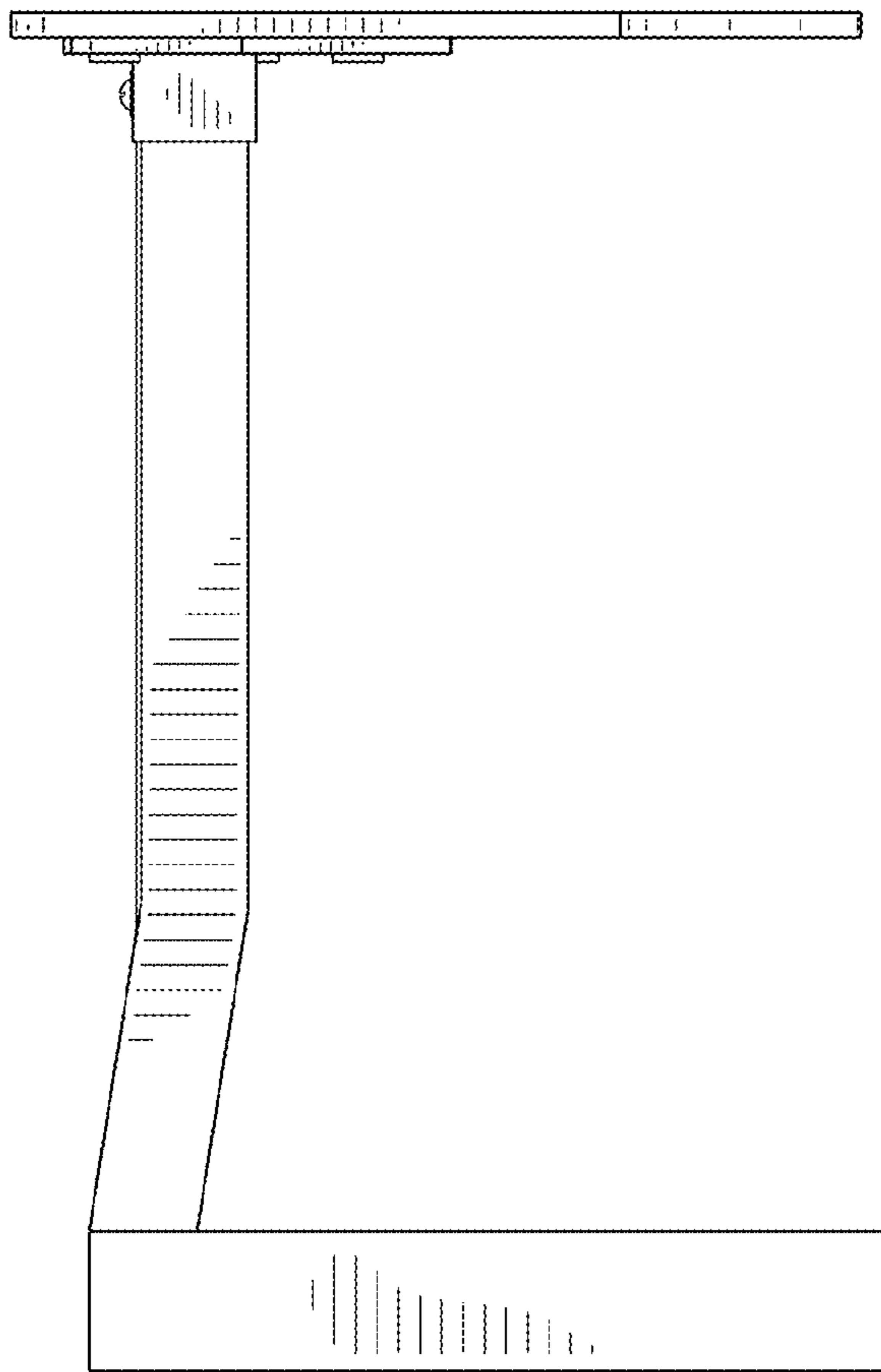


FIG. 8

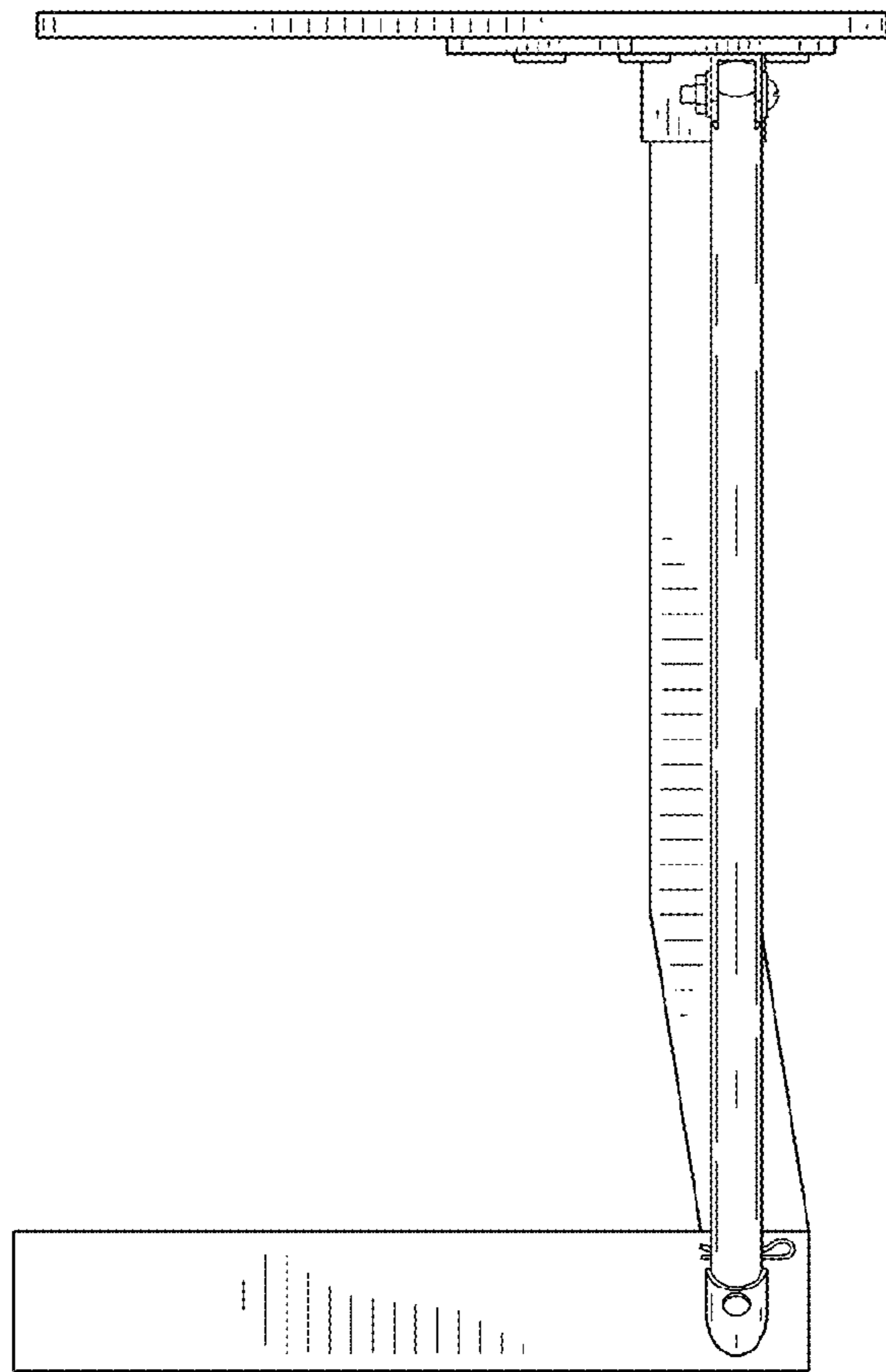


FIG. 9

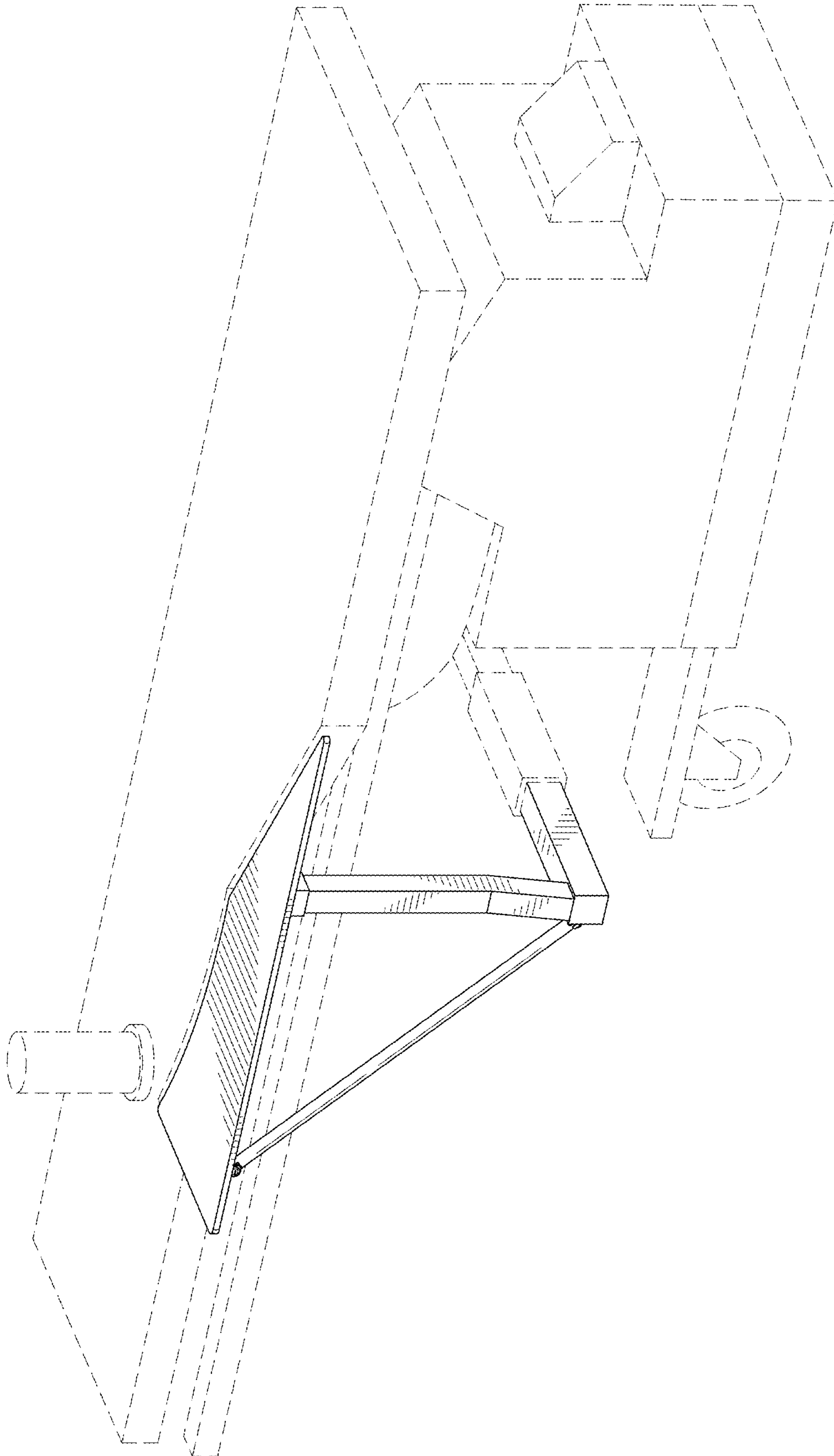


FIG. 10

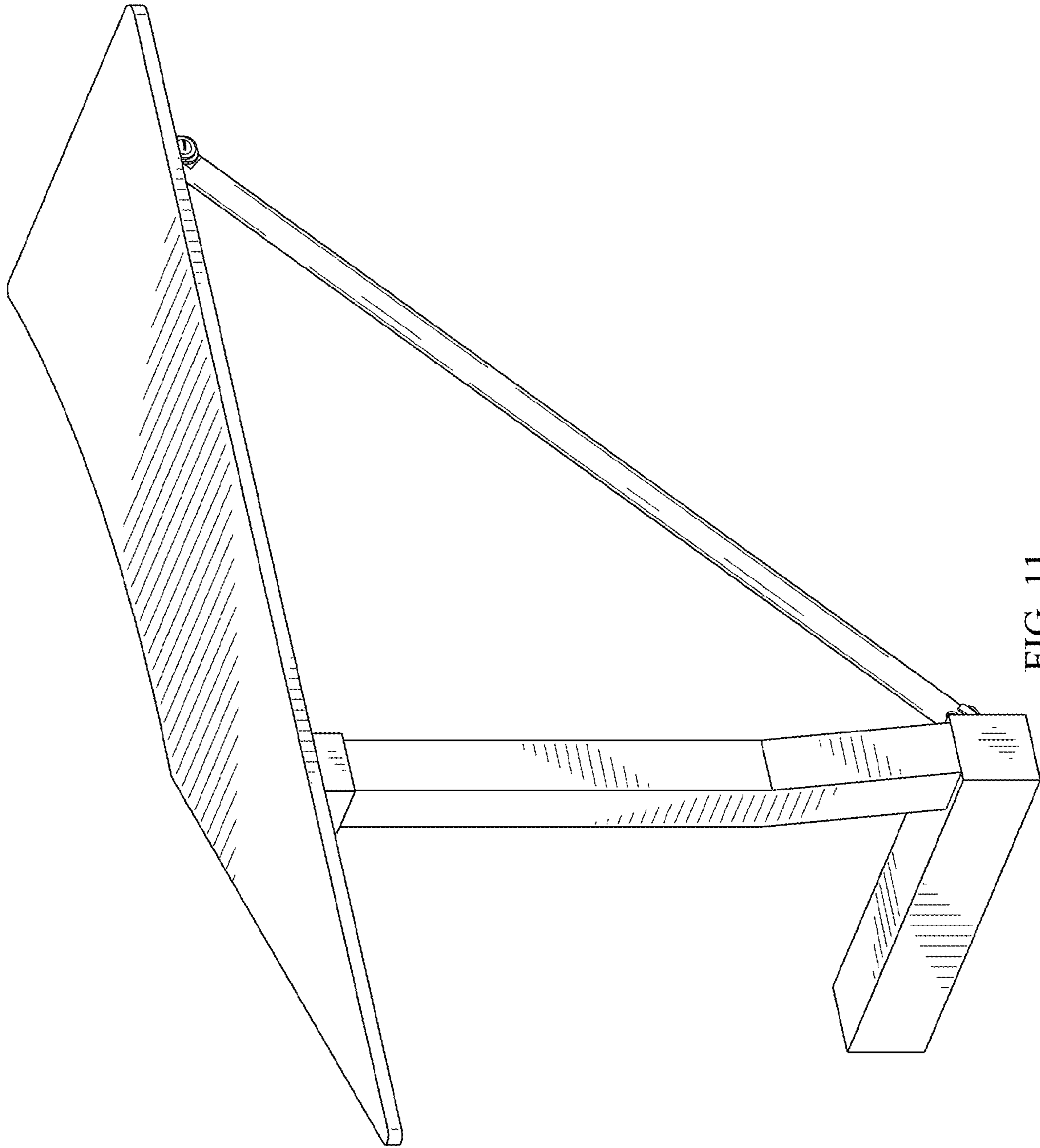


FIG. 11

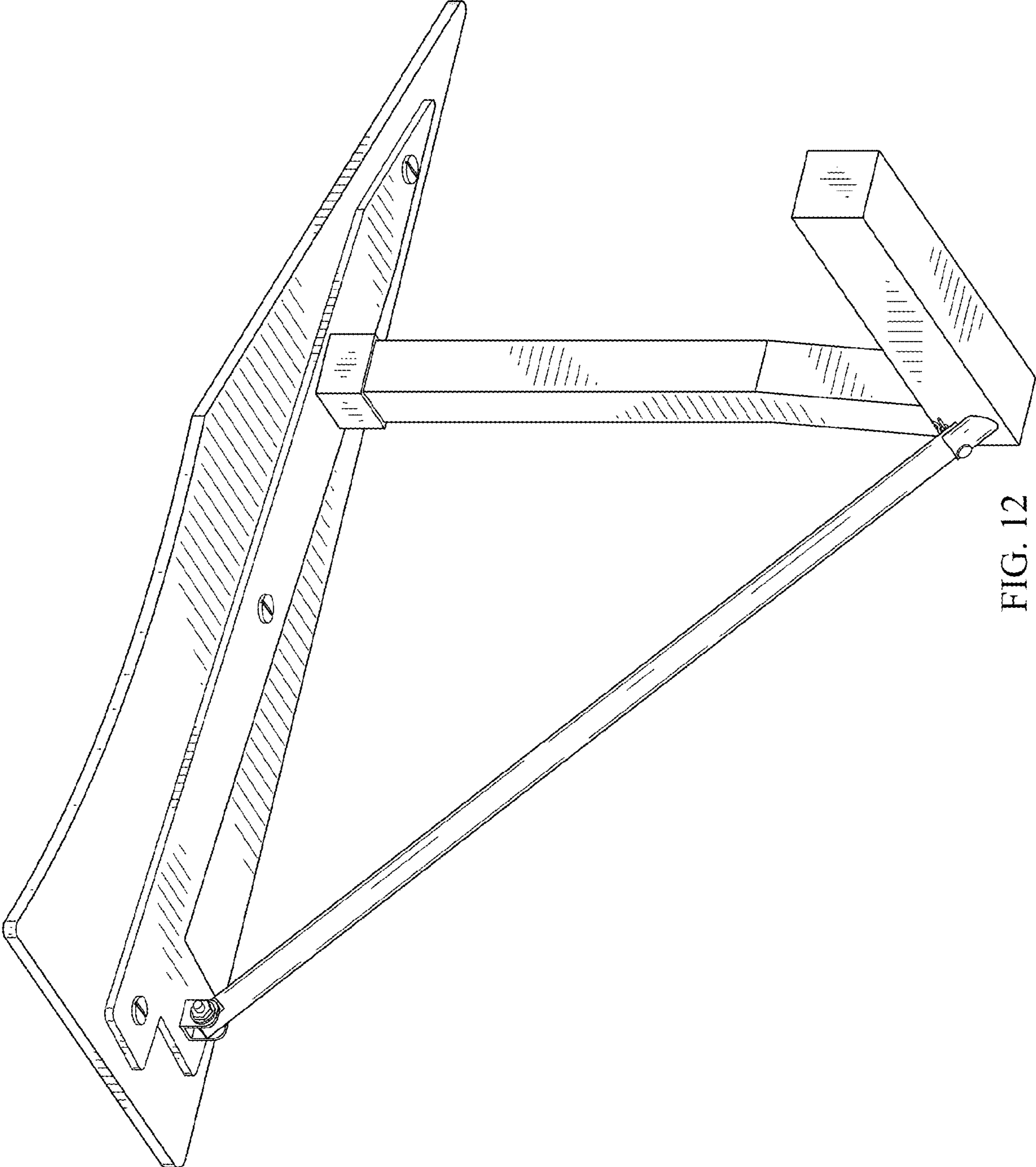


FIG. 12

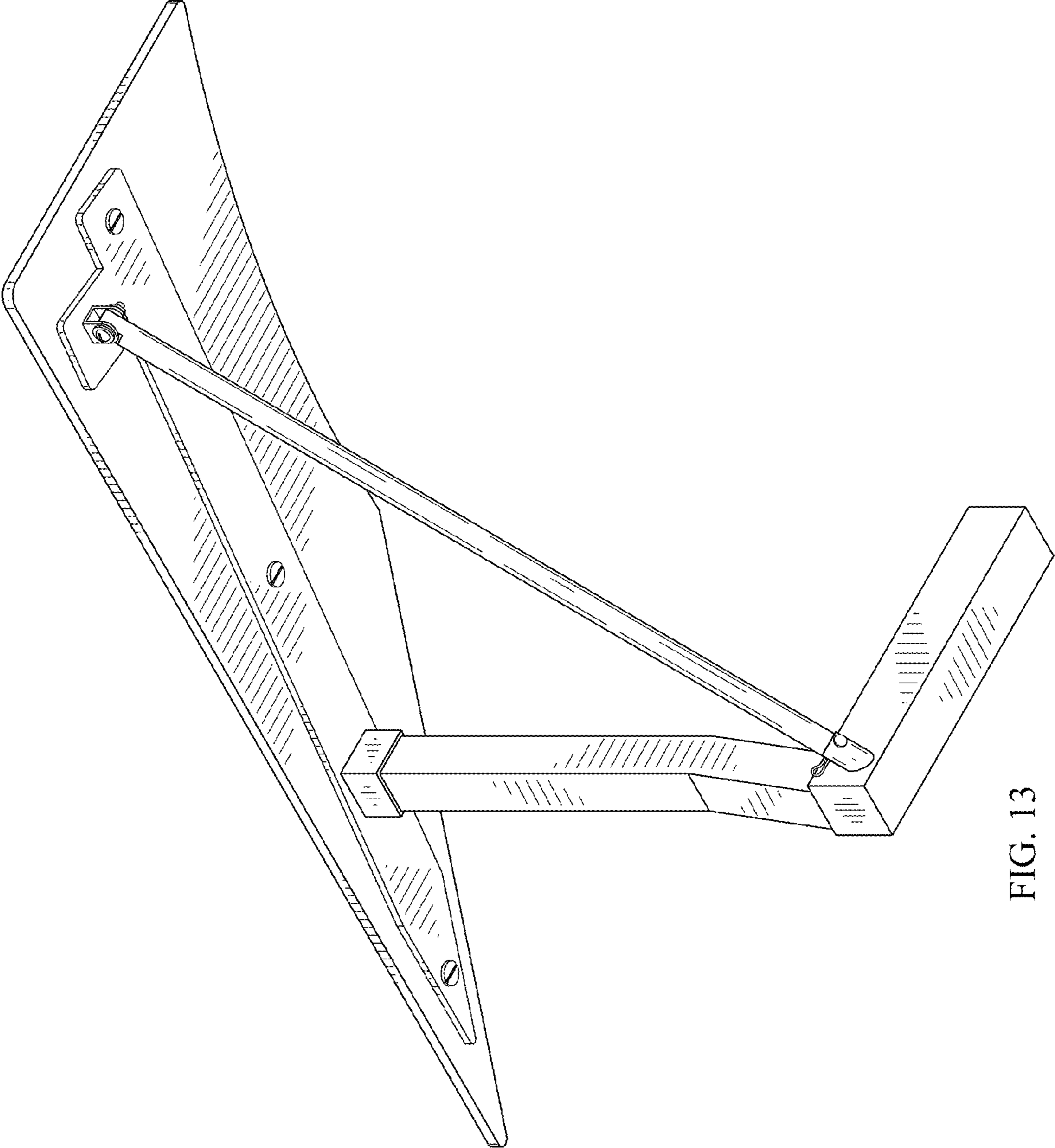


FIG. 13

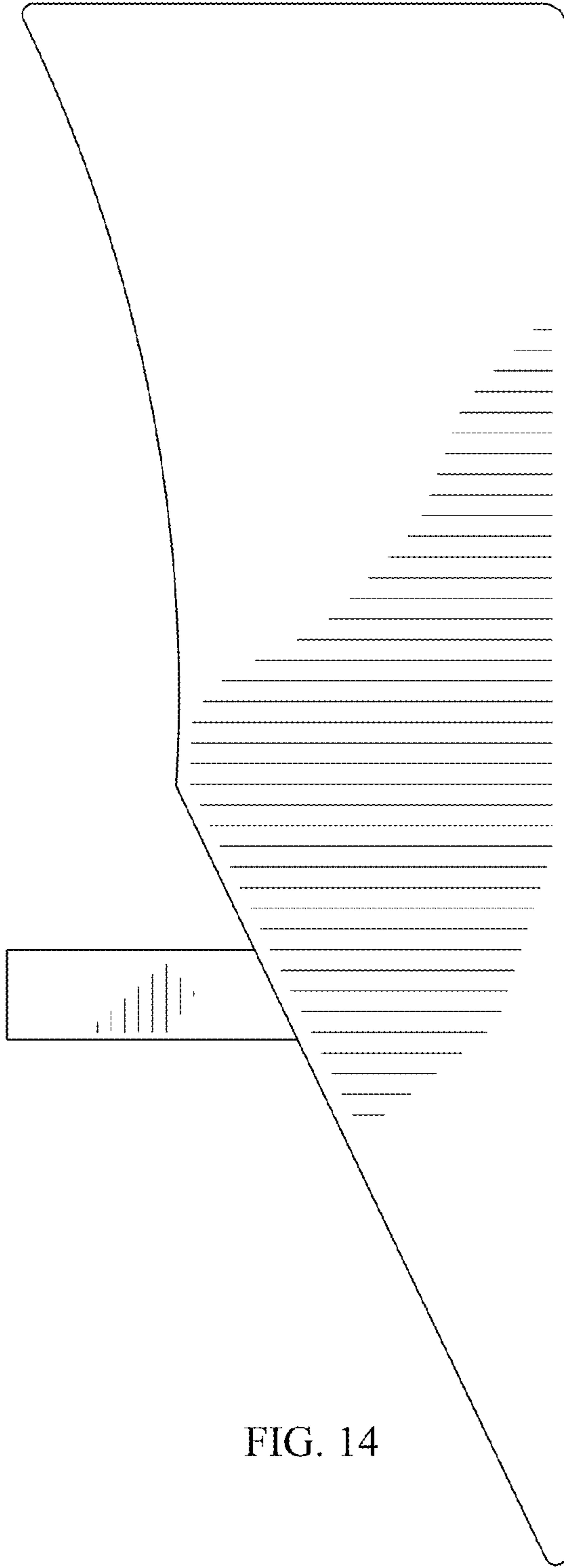


FIG. 14

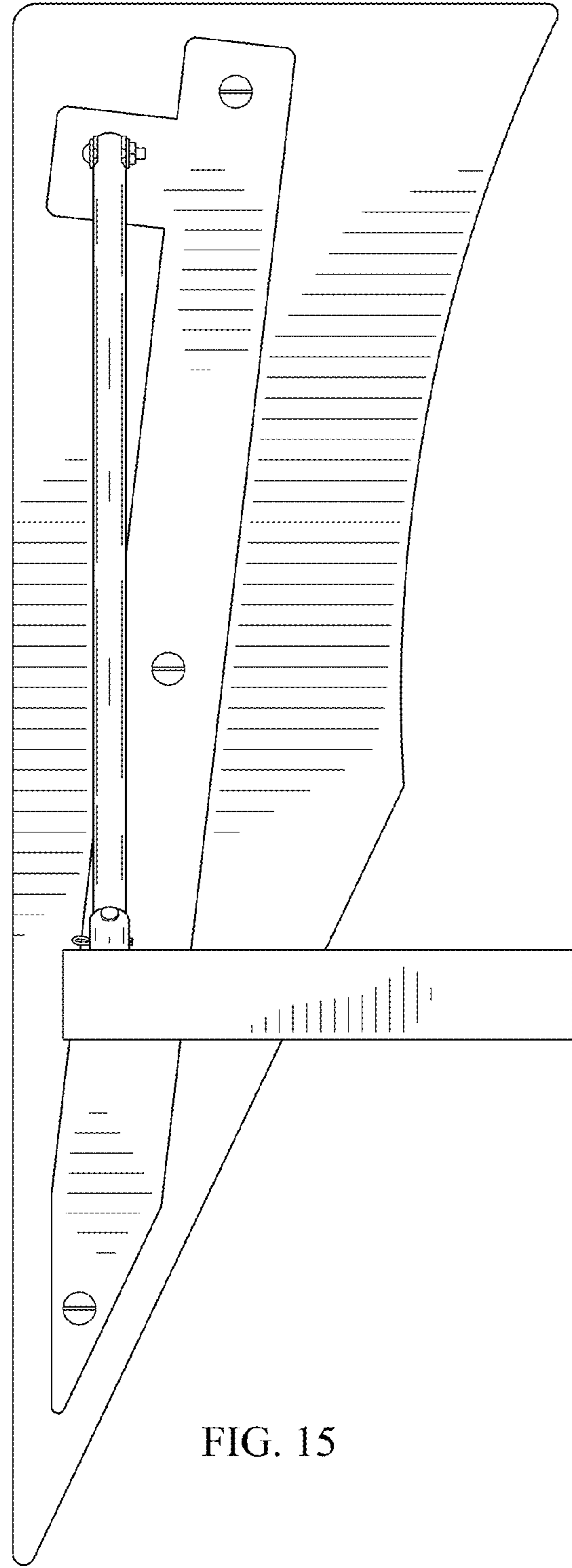


FIG. 15

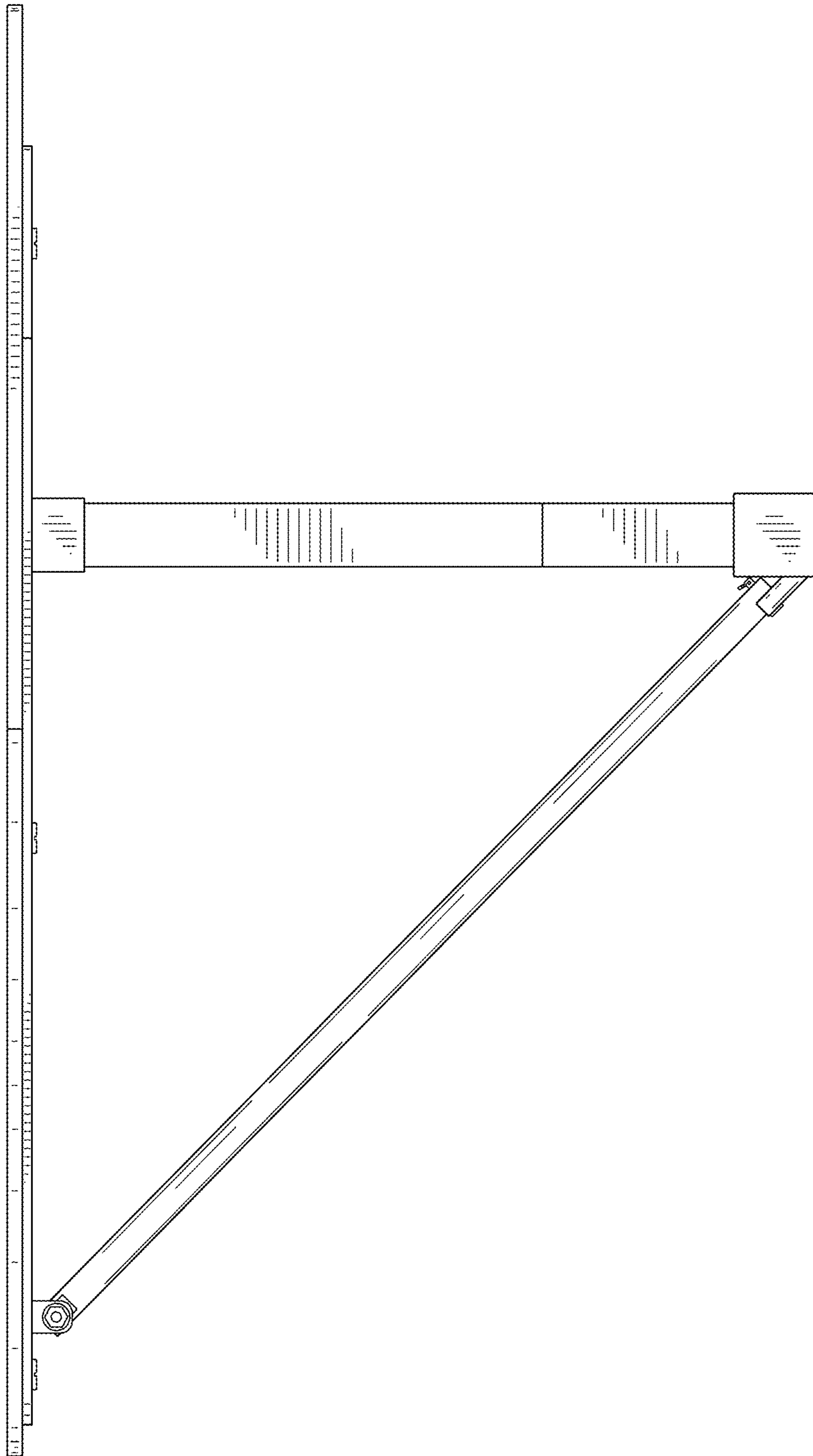


FIG. 16

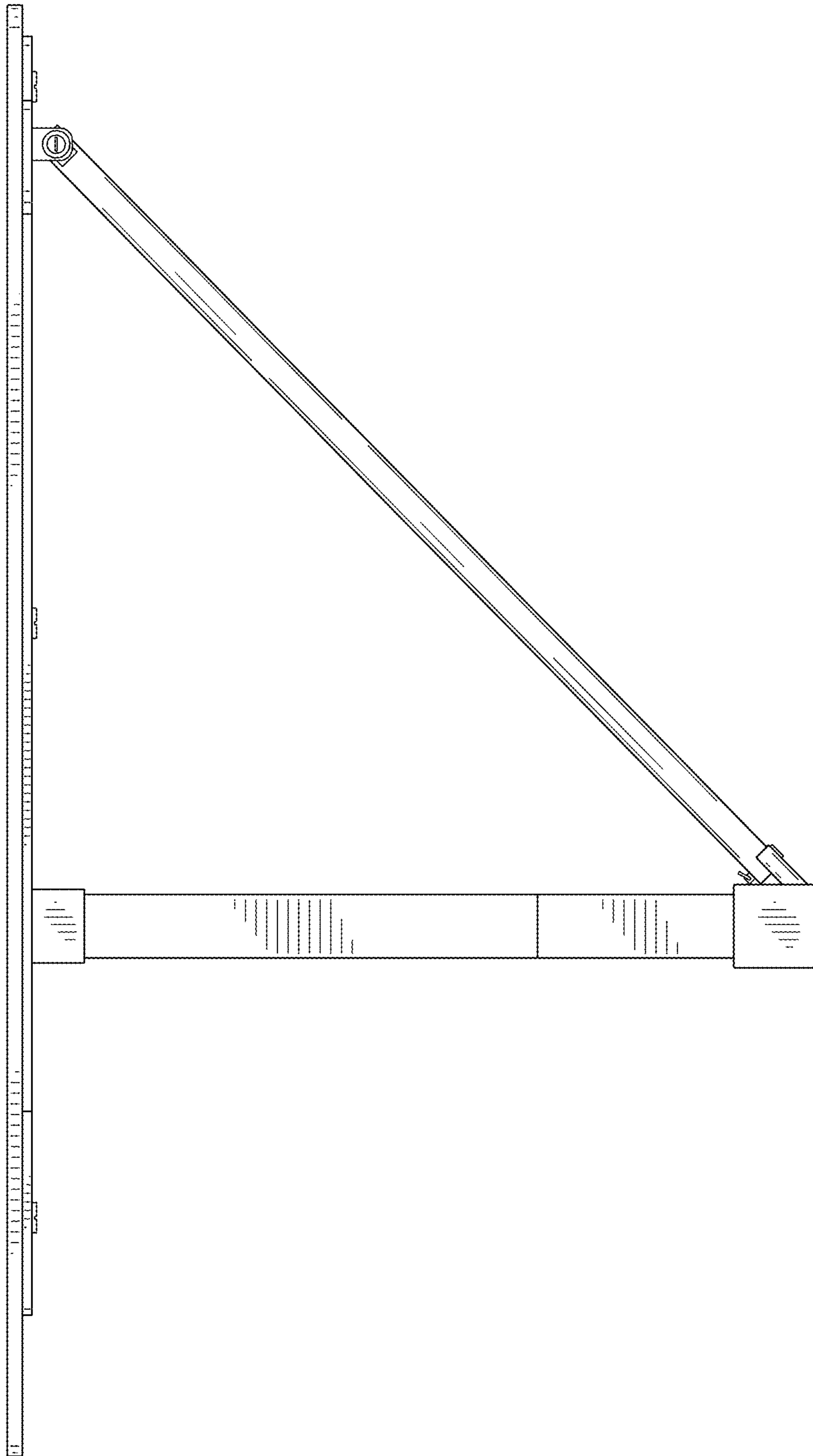


FIG. 17

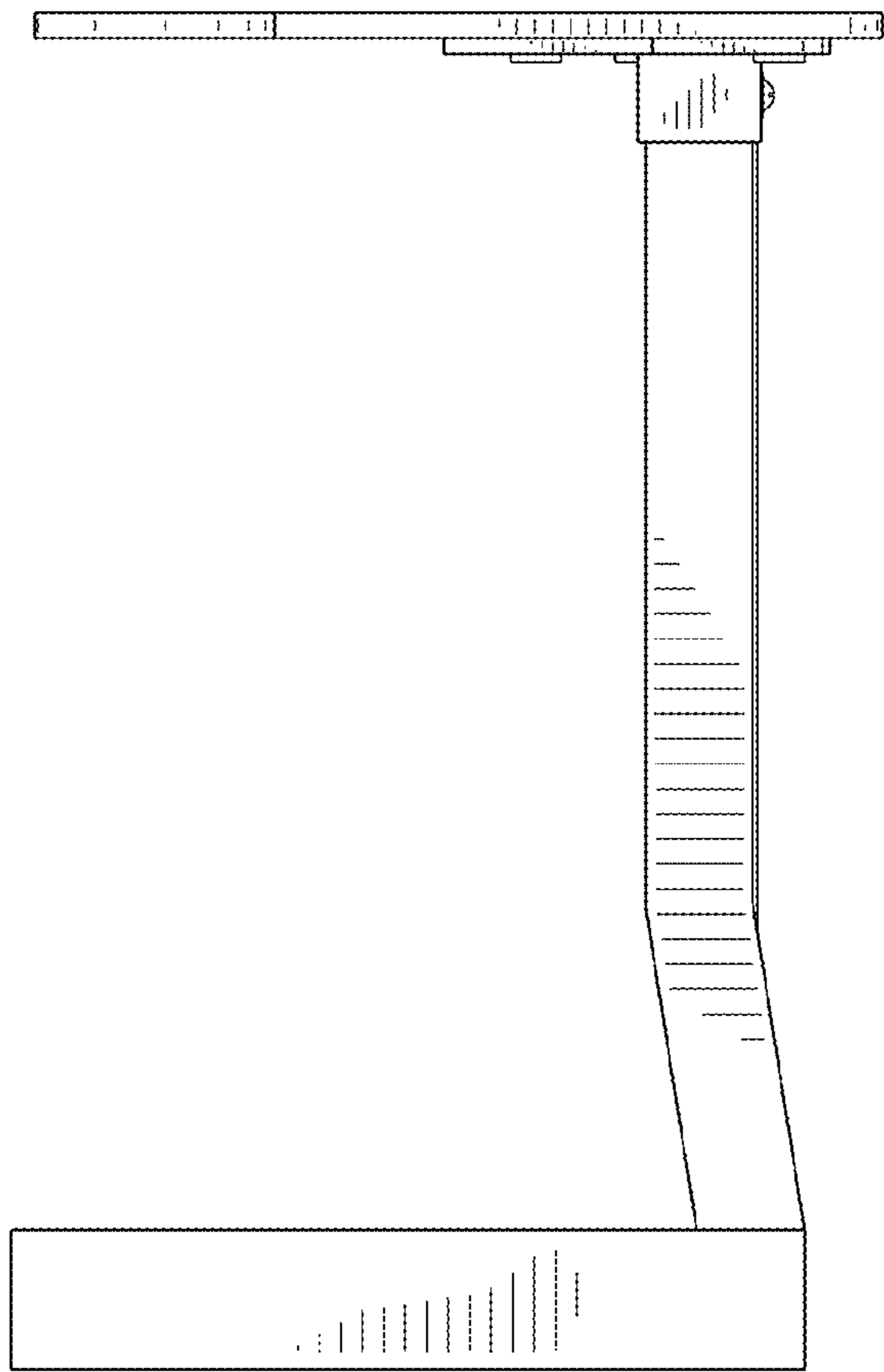


FIG. 18

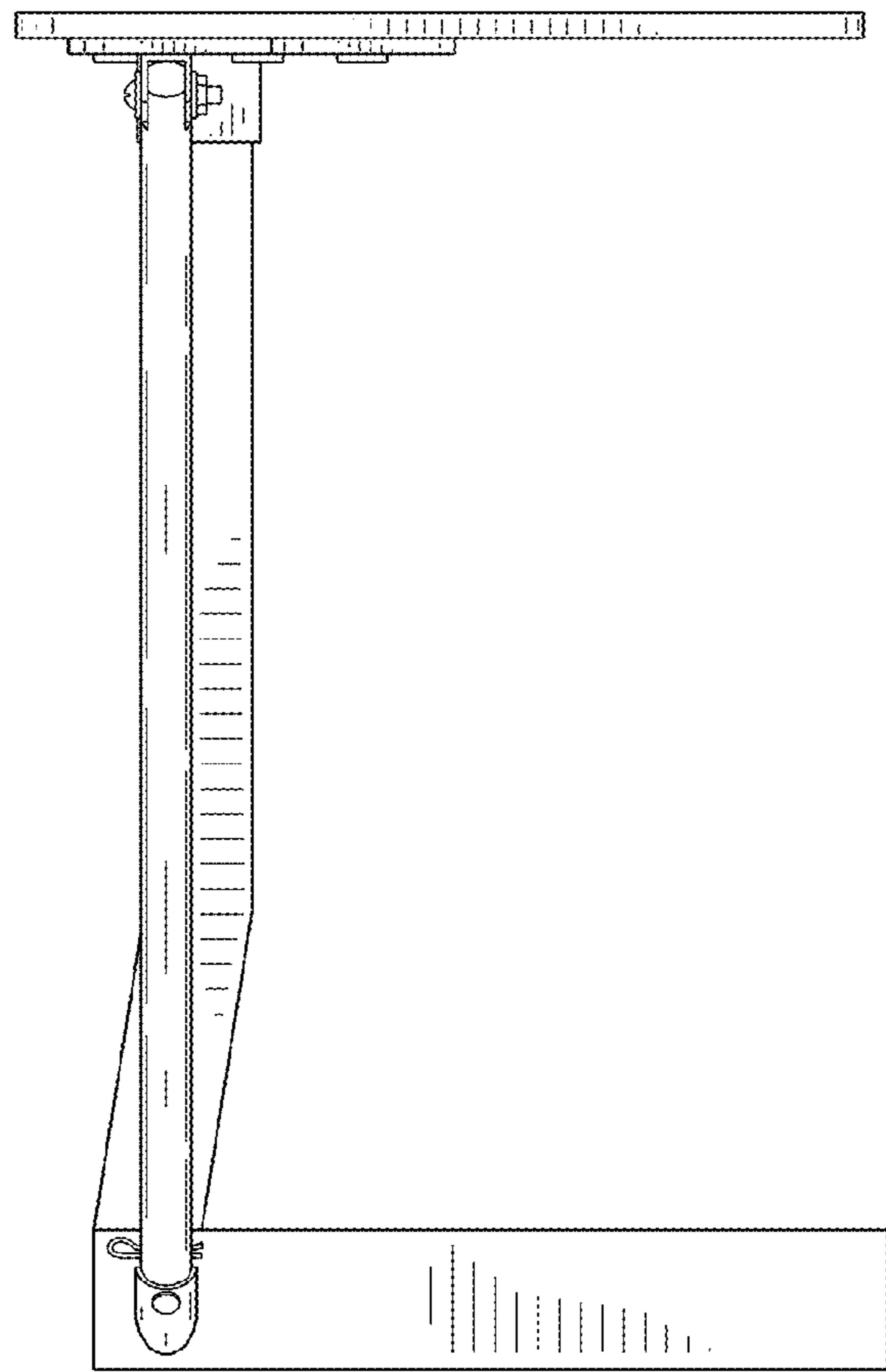


FIG. 19

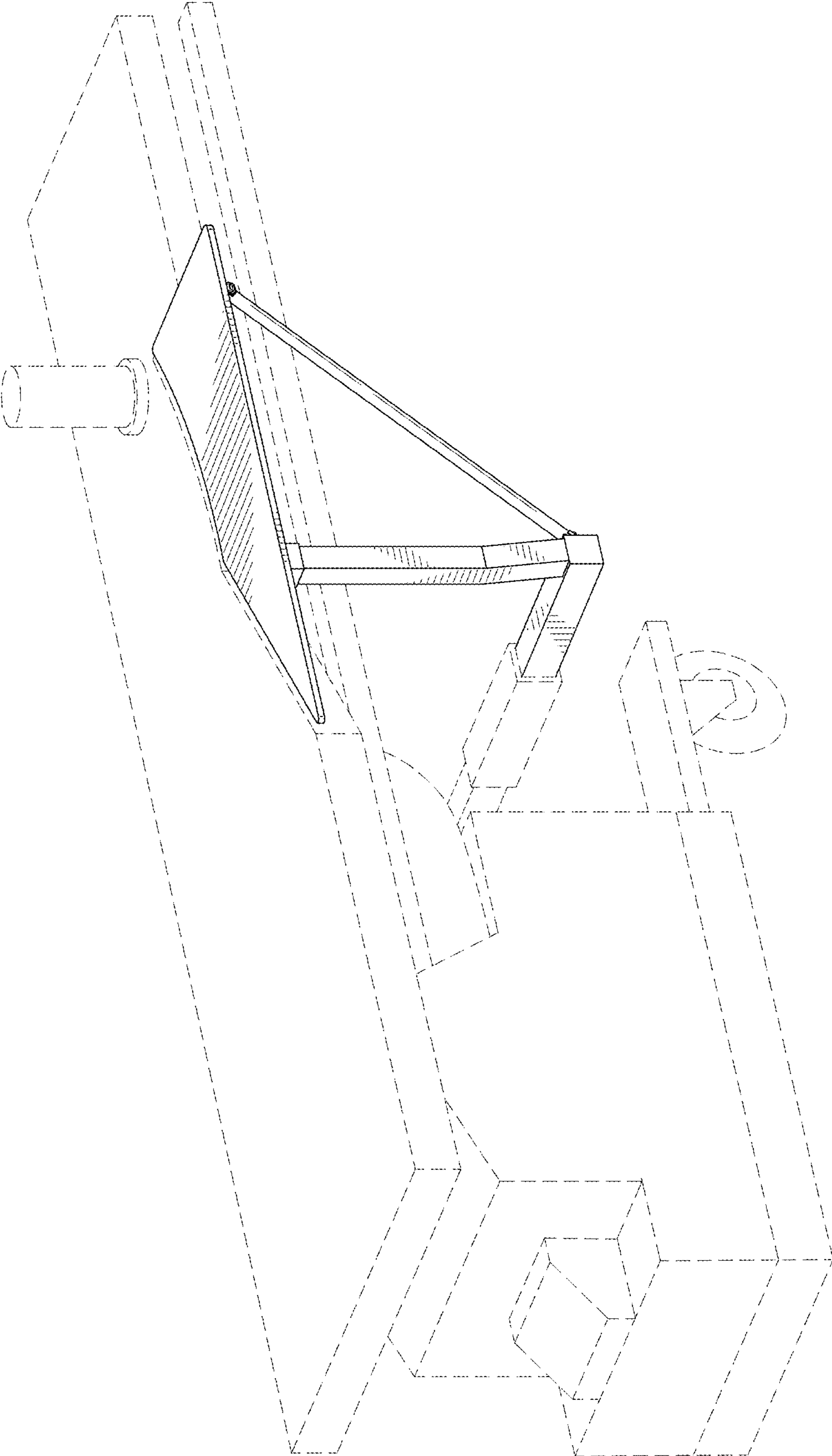


FIG. 20