



US00D979761S

(12) **United States Design Patent**
Boldridge et al.

(10) **Patent No.:** **US D979,761 S**
(45) **Date of Patent:** **** Feb. 28, 2023**

(54) **TRANSPARENT DENTAL ADJUSTMENT
CONTAINMENT UNIT**

(71) Applicants: **Eva Boldridge**, Houston, TX (US);
George Boldridge, Houston, TX (US)

(72) Inventors: **Eva Boldridge**, Houston, TX (US);
George Boldridge, Houston, TX (US)

(**) Term: **15 Years**

(21) Appl. No.: **29/749,578**

(22) Filed: **Sep. 8, 2020**

(51) **LOC (14) Cl.** **24-02**

(52) **U.S. Cl.**
USPC **D24/176**

(58) **Field of Classification Search**
USPC D24/176-178, 185, 152, 156; D9/414,
D9/432; D3/201, 203.7; D30/101-102
CPC A61C 19/002; A61C 19/02; A61C 13/12;
B65D 43/163; B65D 85/54
See application file for complete search history.

(56) **References Cited**

U.S. PATENT DOCUMENTS

D377,218 S * 1/1997 Cohen D24/176
5,791,471 A * 8/1998 Radmand A61C 19/00
220/908

6,309,222 B1 * 10/2001 Billingsley A61C 13/12
132/73
D897,538 S * 9/2020 Myers D24/176
D949,344 S * 4/2022 Frenkler D24/176
2013/0126752 A1 * 5/2013 Erdlen A61C 19/002
250/455.11
2020/0367996 A1 * 11/2020 Berner A61C 8/0015

* cited by examiner

Primary Examiner — Wan Laymon

(74) *Attorney, Agent, or Firm* — Chanelle N. Mack

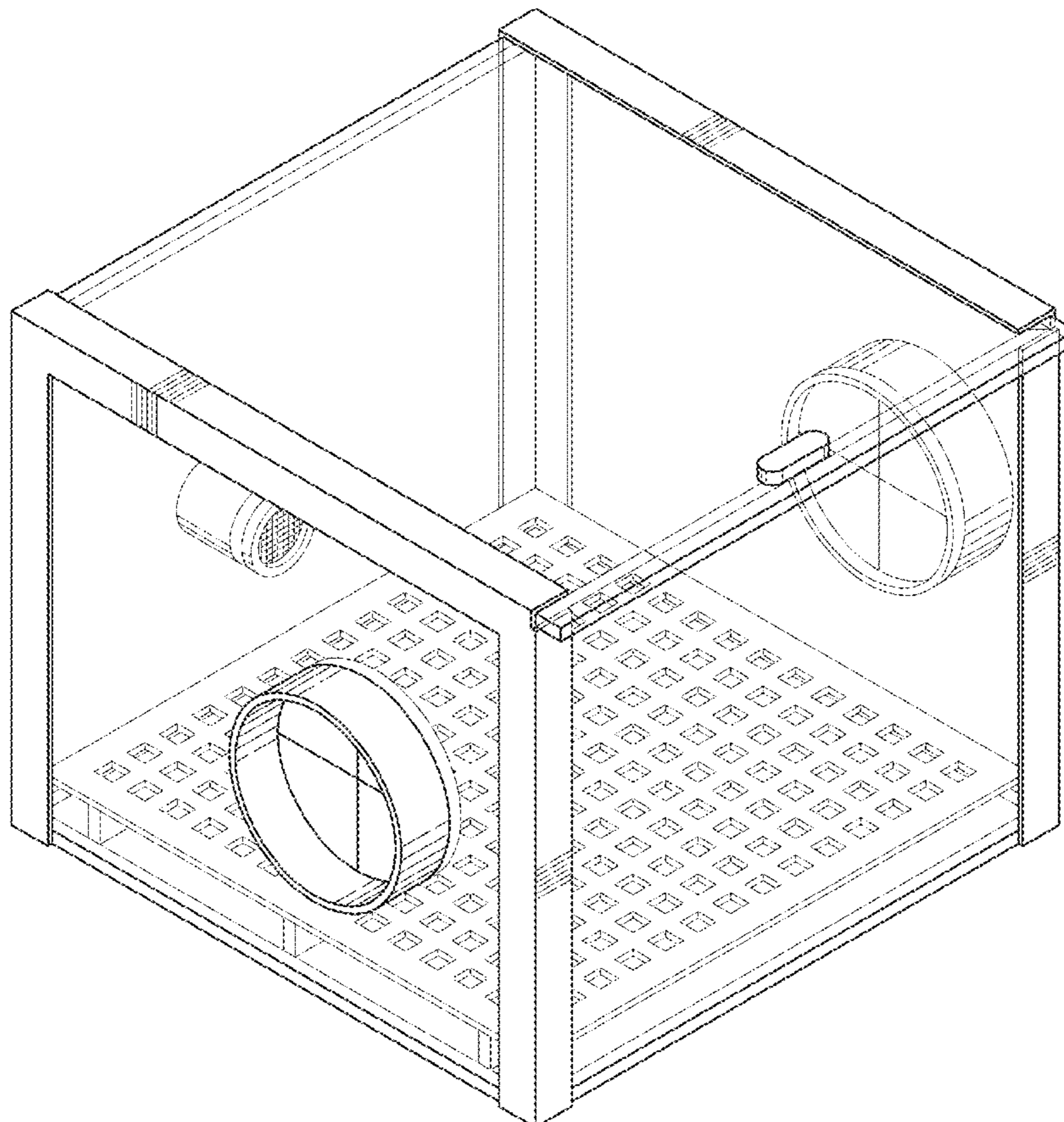
(57) **CLAIM**

The design for a transparent dental adjustment containment unit, as shown and described.

DESCRIPTION

FIG. 1 depicts a front perspective view of the transparent dental adjustment containment unit.
FIG. 2 depicts a rear perspective view of the transparent dental adjustment containment unit.
FIG. 3 a top plan view of the transparent dental adjustment containment unit.
FIG. 4 depicts a right side plan view of the transparent dental adjustment containment unit.
FIG. 5 depicts a left side plan view of the transparent dental adjustment containment unit; and,
FIG. 6 depicts a bottom plan view of the transparent dental adjustment containment unit.

1 Claim, 4 Drawing Sheets



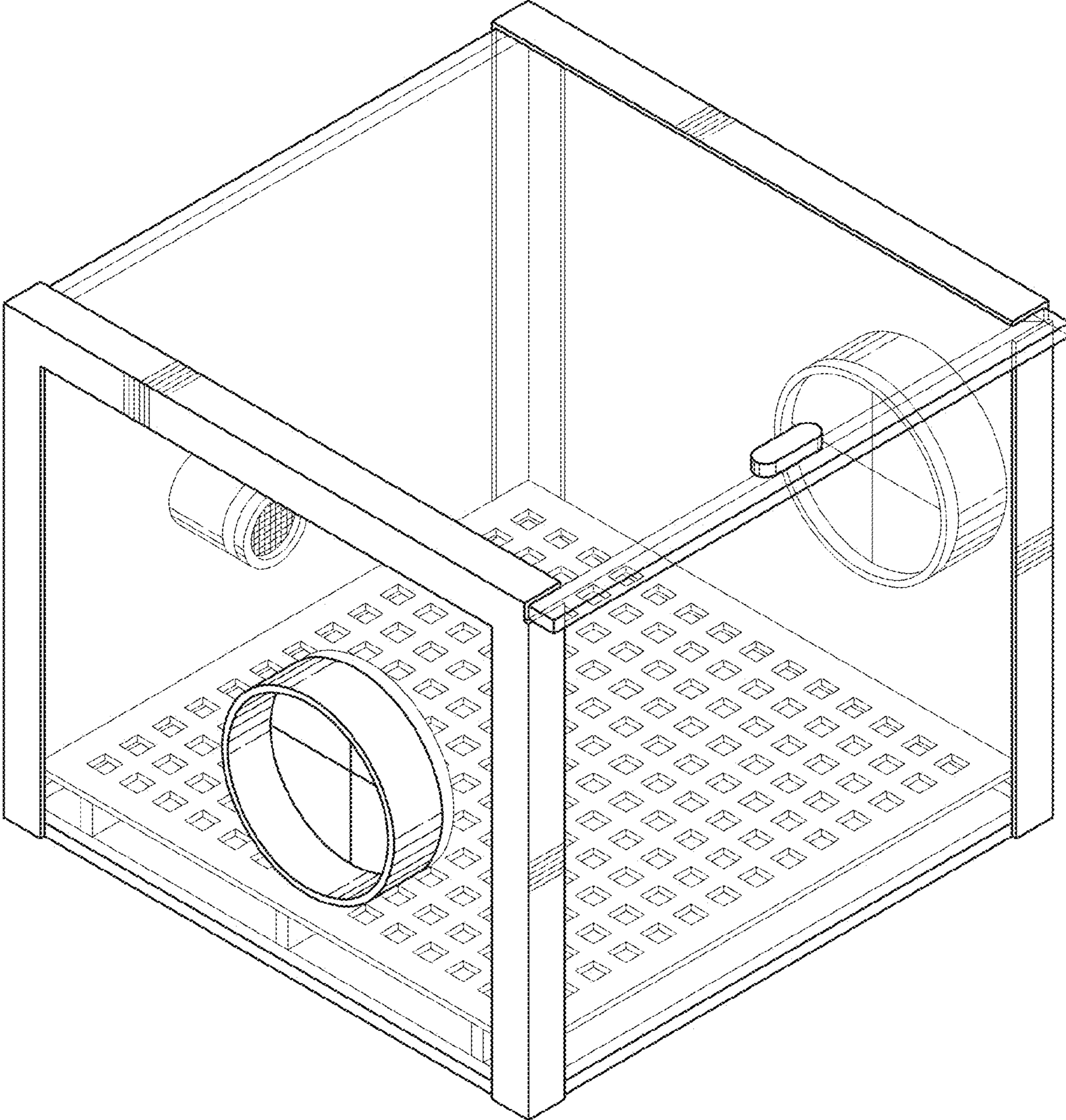


FIG. 1

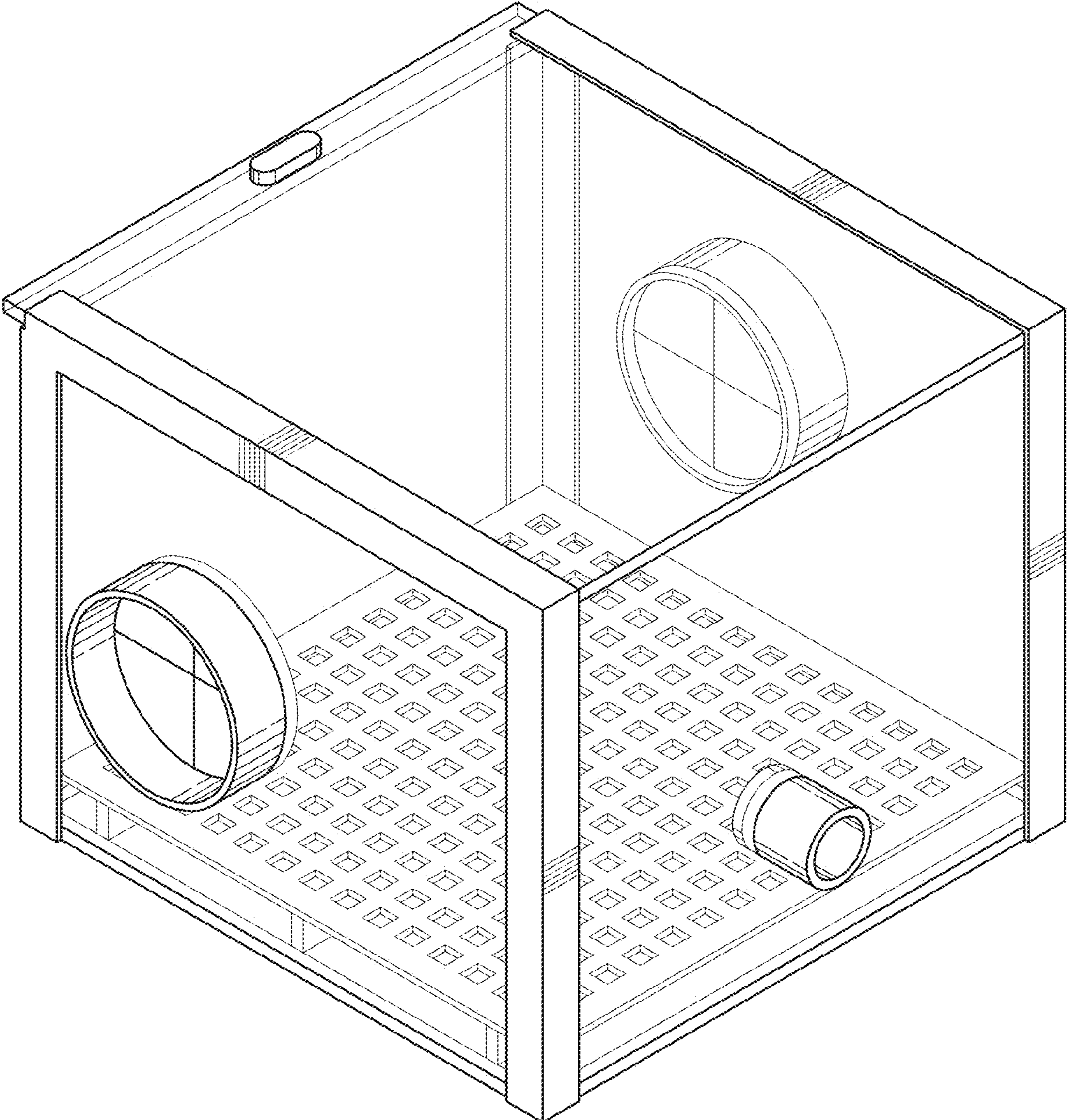


FIG. 2

FIG. 3

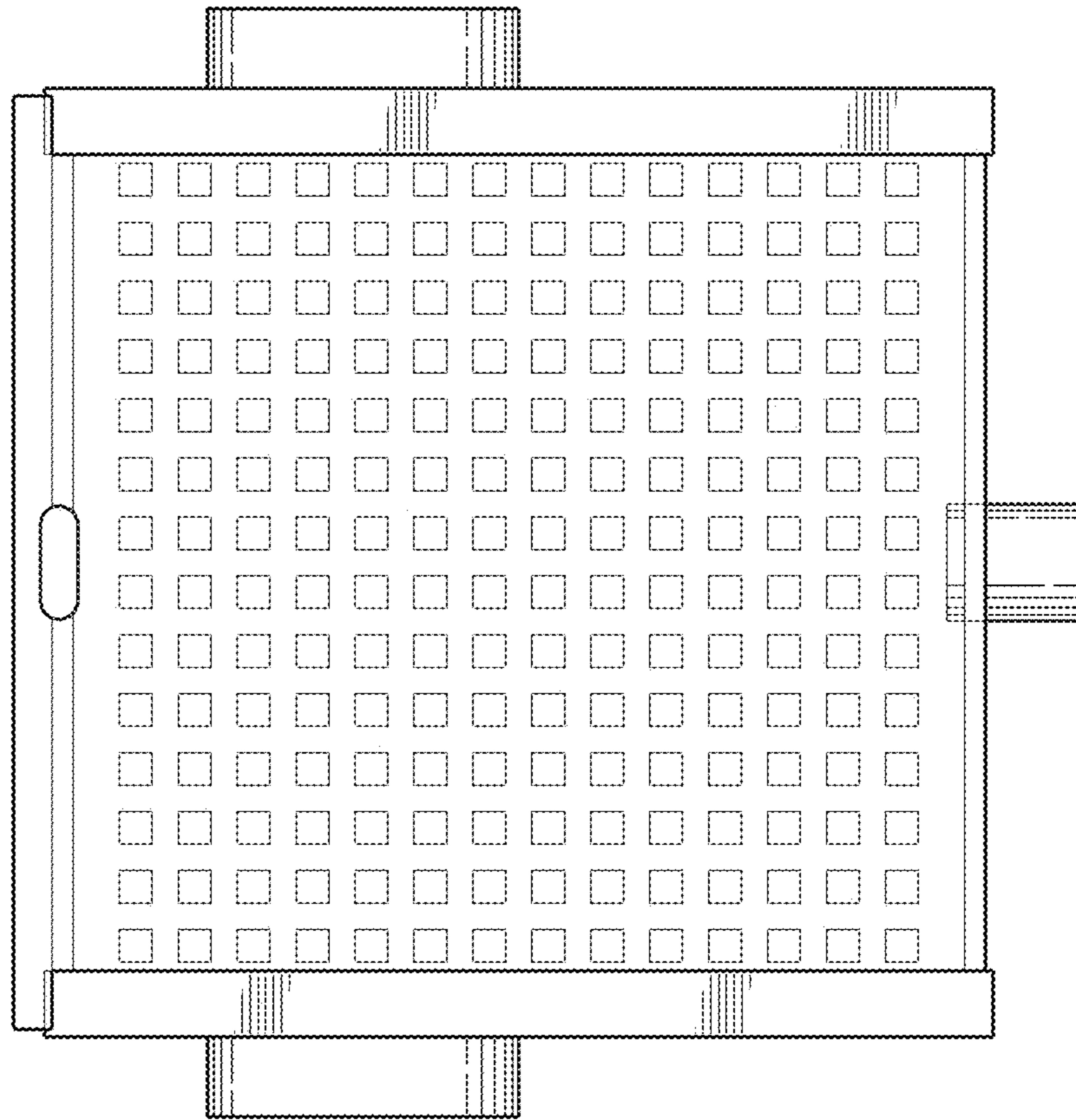


FIG. 4

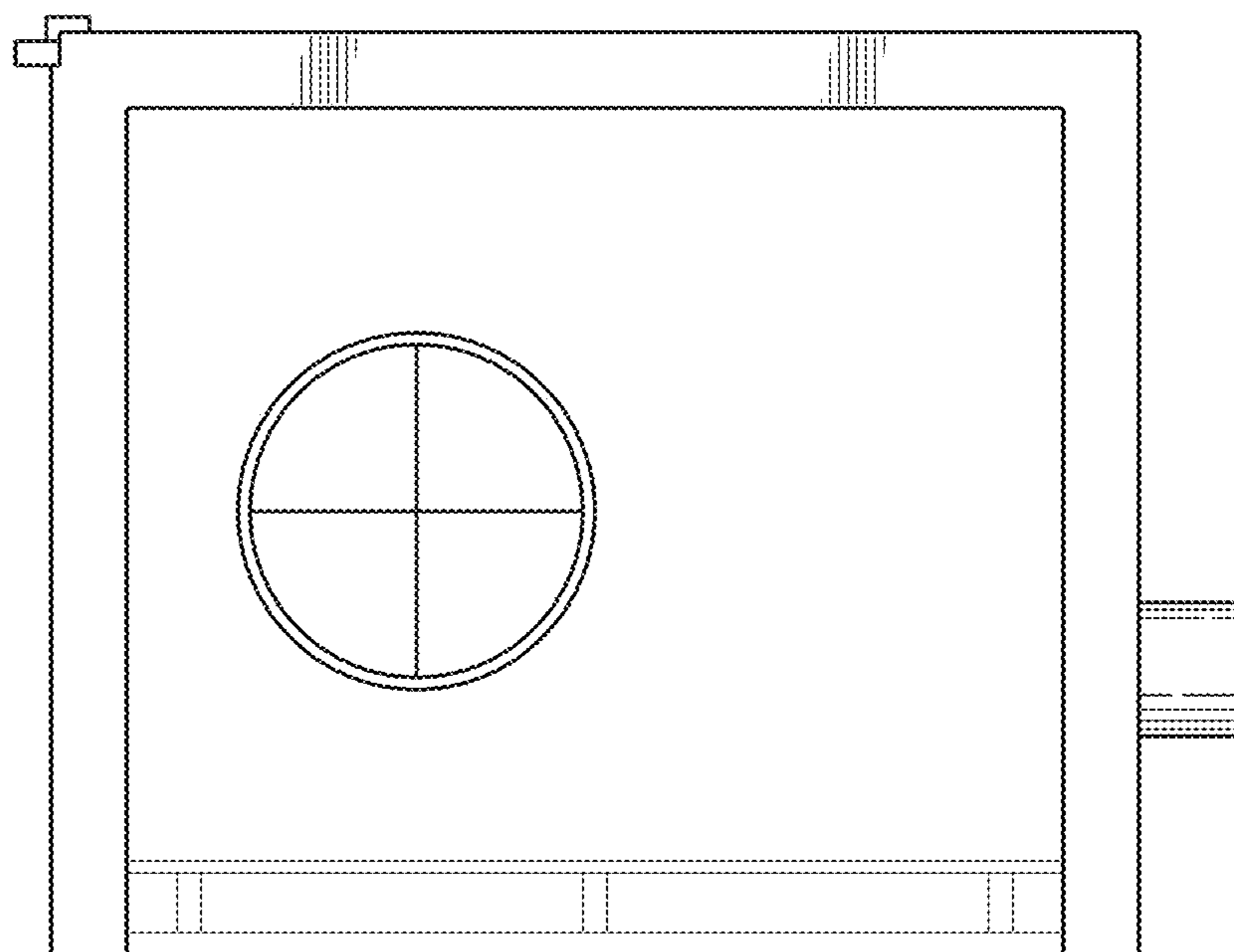


FIG. 5

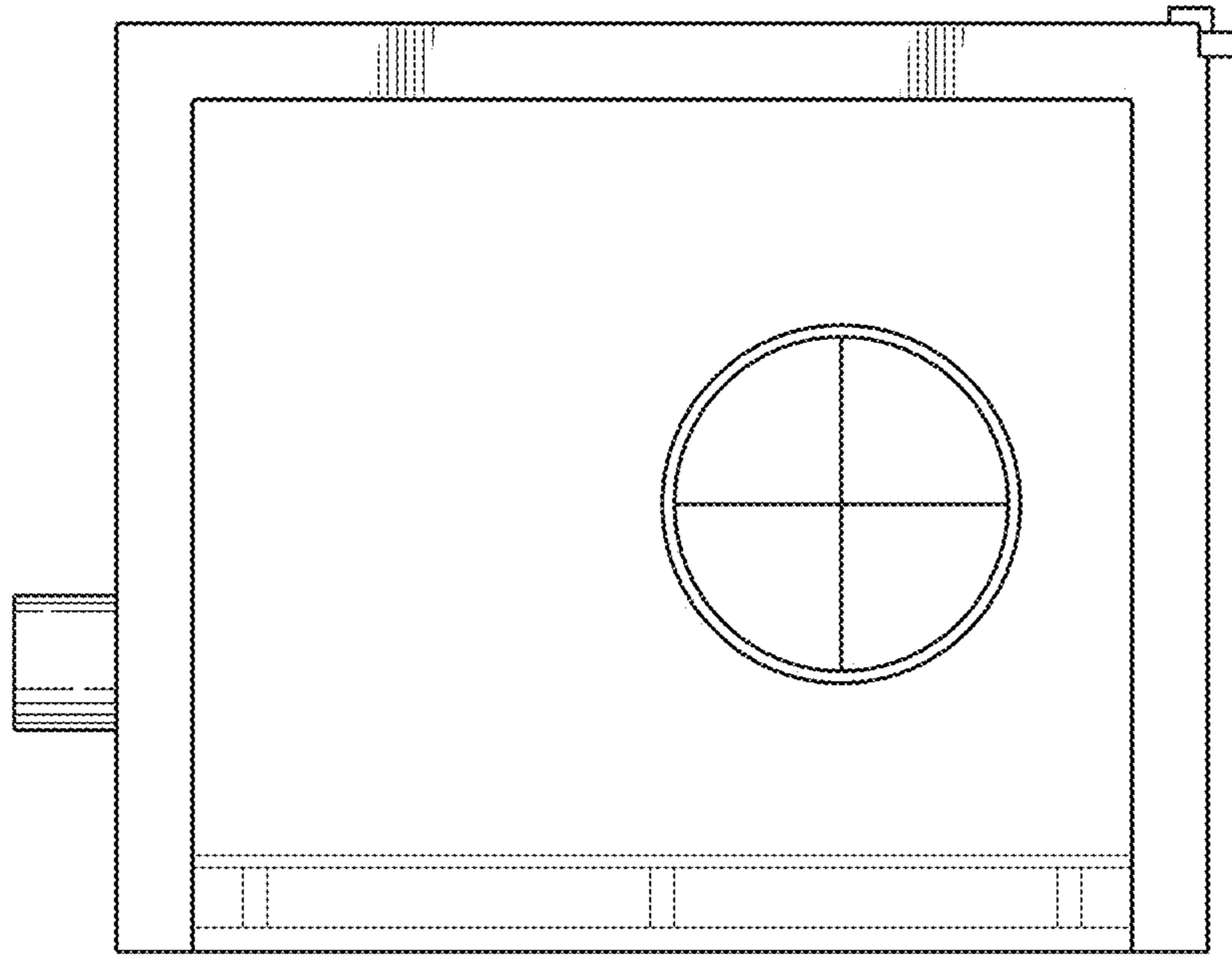


FIG. 6

