



US00D979760S

(12) **United States Design Patent**
Jameson et al.

(10) **Patent No.:** **US D979,760 S**
(45) **Date of Patent:** **** Feb. 28, 2023**

- (54) **TOURNIQUET INSTRUMENT**
- (71) Applicant: **Zimmer Surgical, Inc.**, Dover, OH (US)
- (72) Inventors: **Michael Jameson**, North Vancouver (CA); **James A. McEwen**, Vancouver (CA); **Julie Kerr**, Vancouver (CA); **Tom Yu Chia Lai**, Vancouver (CA)
- (73) Assignee: **Zimmer Surgical, Inc.**, Dover, OH (US)
- (**) Term: **15 Years**
- (21) Appl. No.: **29/794,176**
- (22) Filed: **Jun. 10, 2021**
- (51) **LOC (14) Cl.** **24-01**
- (52) **U.S. Cl.**
USPC **D24/169**
- (58) **Field of Classification Search**
USPC D24/107, 108, 169, 185, 186, 216, 121, D24/224, 111; D15/7
CPC A61H 2209/00; A61H 2201/5002; A61H 2201/5015
See application file for complete search history.

(56) **References Cited**

U.S. PATENT DOCUMENTS

D315,406 S *	3/1991	Dye	D24/169
D374,931 S *	10/1996	Cesaroni	D24/111
D476,421 S *	6/2003	Heston	D24/169
D540,820 S *	4/2007	Gilroy	D15/7
D660,409 S *	5/2012	Taggerty	D24/108
D670,393 S *	11/2012	Nygaardh	D24/169
D737,448 S *	8/2015	Fluxman	D24/169
D805,183 S *	12/2017	Sabin	D24/108
D835,281 S *	12/2018	Clifford	D24/185

D851,255 S *	6/2019	Fluxman	D24/169
2010/0189578 A1 *	7/2010	Anderson	A61H 9/0078 417/313
2010/0191277 A1 *	7/2010	McEwen	A61B 17/1355 606/202
2017/0112504 A1 *	4/2017	McEwen	A63B 21/4025

FOREIGN PATENT DOCUMENTS

KR 3020130030517 * 5/2014

OTHER PUBLICATIONS

Machinio. Zimmer ATS 4000 Automatic Tourniquet System in San Diego, CA, USA. Customer reviewd on Sep. 13, 2020. Retrieved from internet on Oct. 5, 2022 at <https://www.machinio.com/listings/47755373-zimmer-ats-4000-automatic-tourniquet-system-in-san-diego-ca>.*

* cited by examiner

Primary Examiner — Anhdao Doan

(74) *Attorney, Agent, or Firm* — Schwegman Lundberg & Woessner, P.A.

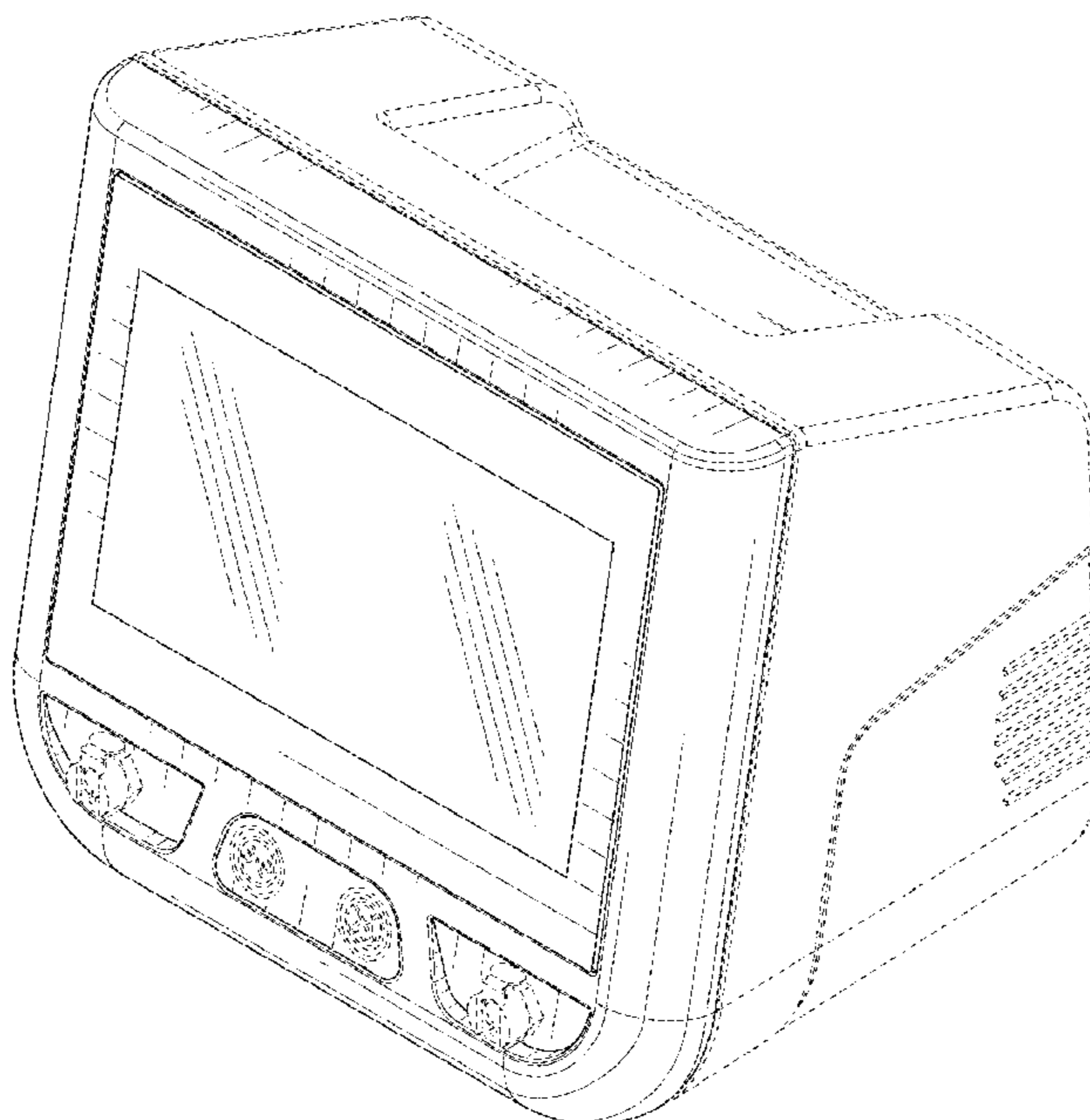
(57) **CLAIM**

We claim the ornamental design for a tourniquet instrument, as shown and described.

DESCRIPTION

FIG. 1 is a perspective view of a tourniquet instrument. FIG. 2 is a front elevational view thereof. FIG. 3 is a rear elevational view thereof. FIG. 4 is a right side elevational view thereof. FIG. 5 is a left side elevational view thereof. FIG. 6 is a top plan view thereof; and, FIG. 7 is a bottom plan view thereof. The broken lines show portions of the tourniquet instrument that form no part of the claimed design.

1 Claim, 7 Drawing Sheets



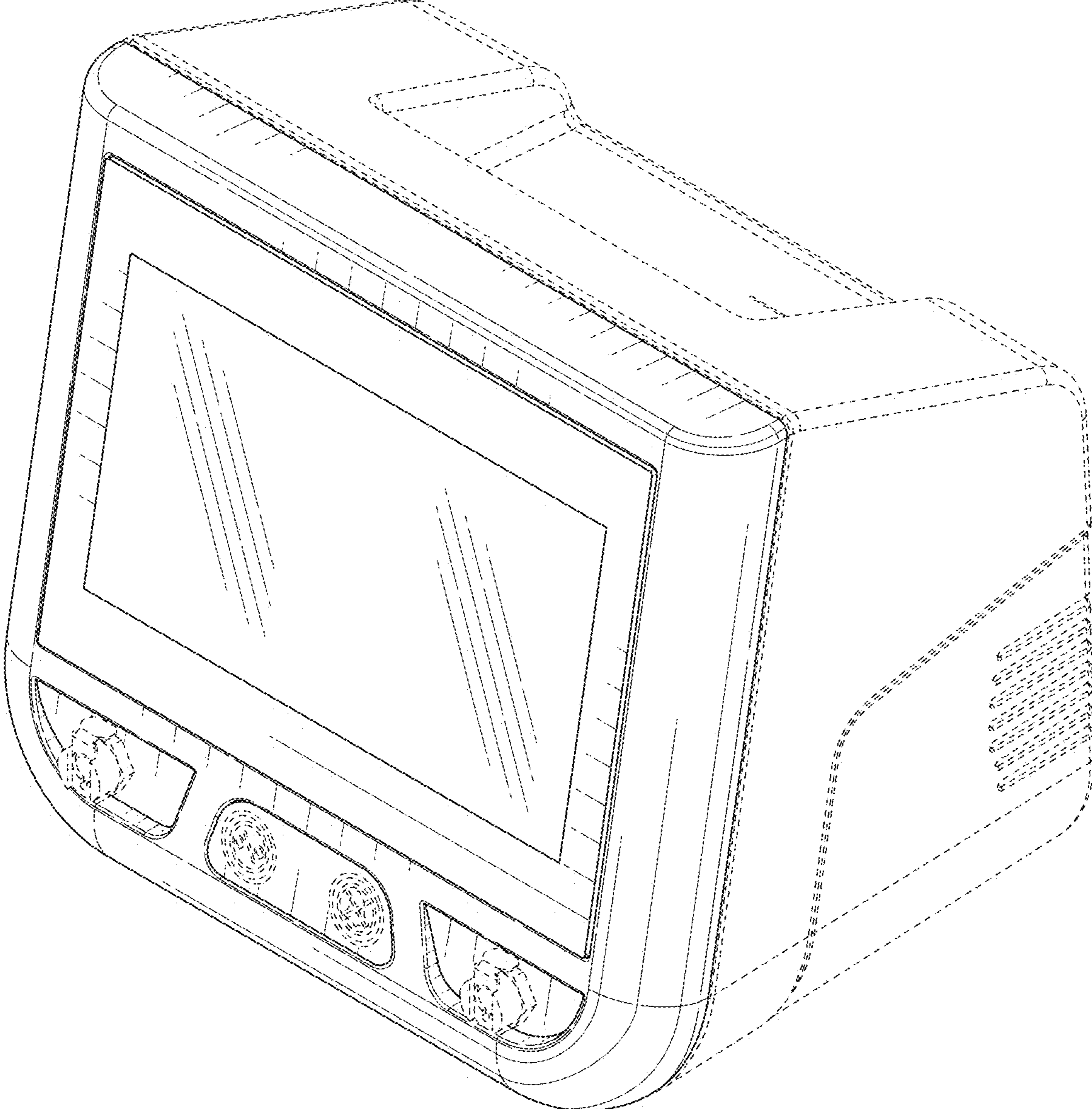


FIG. 1

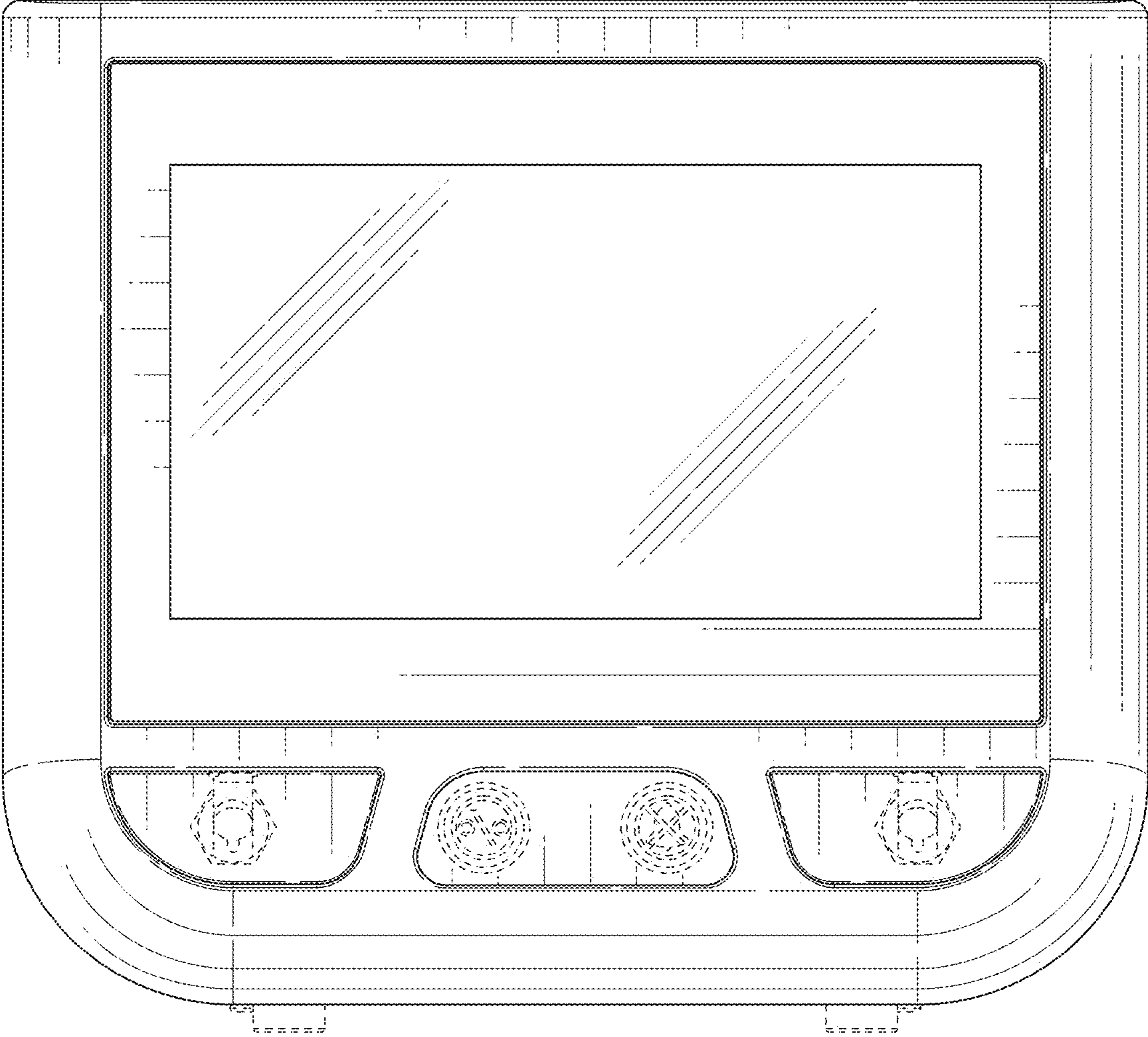


FIG. 2

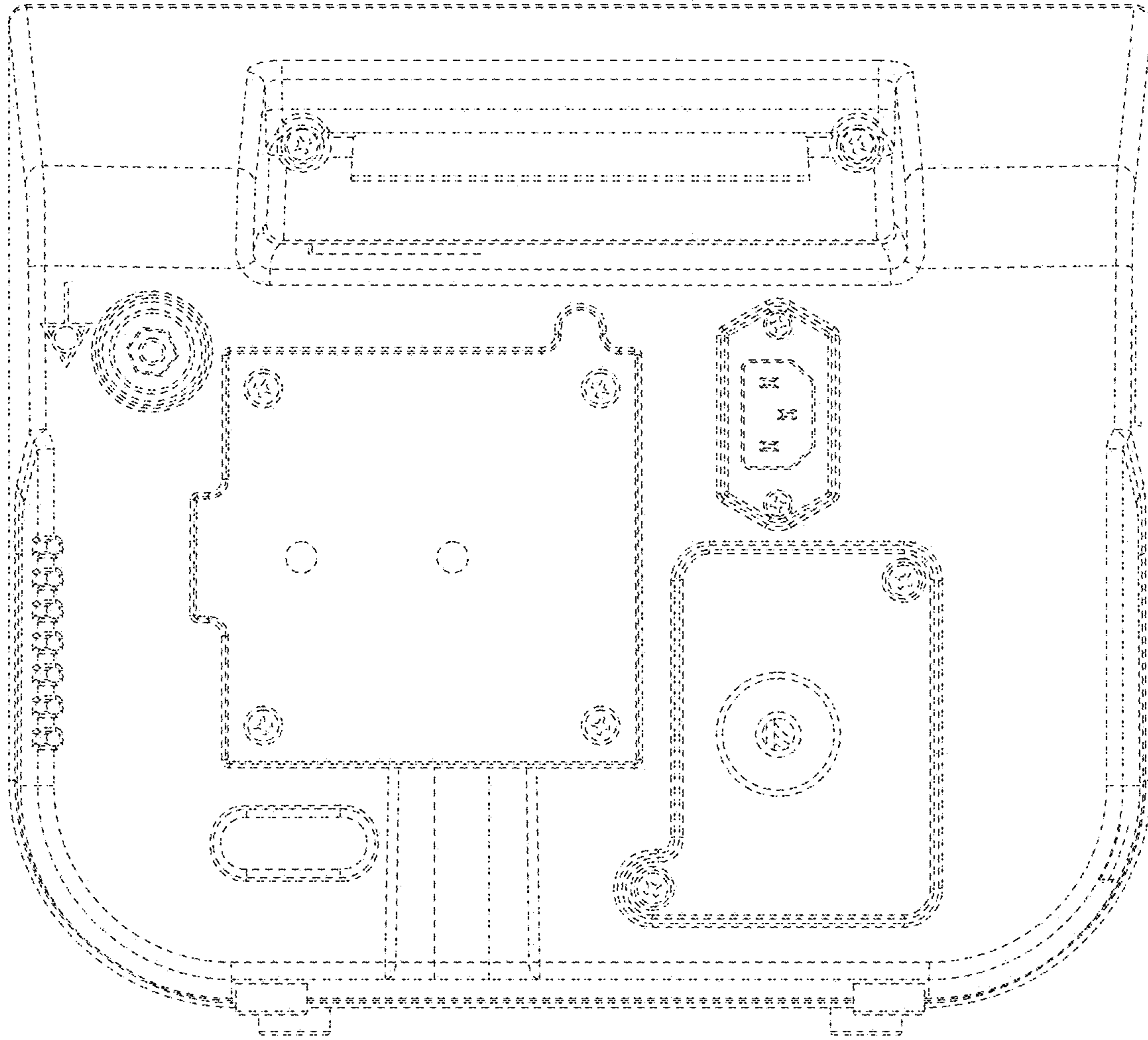


FIG. 3

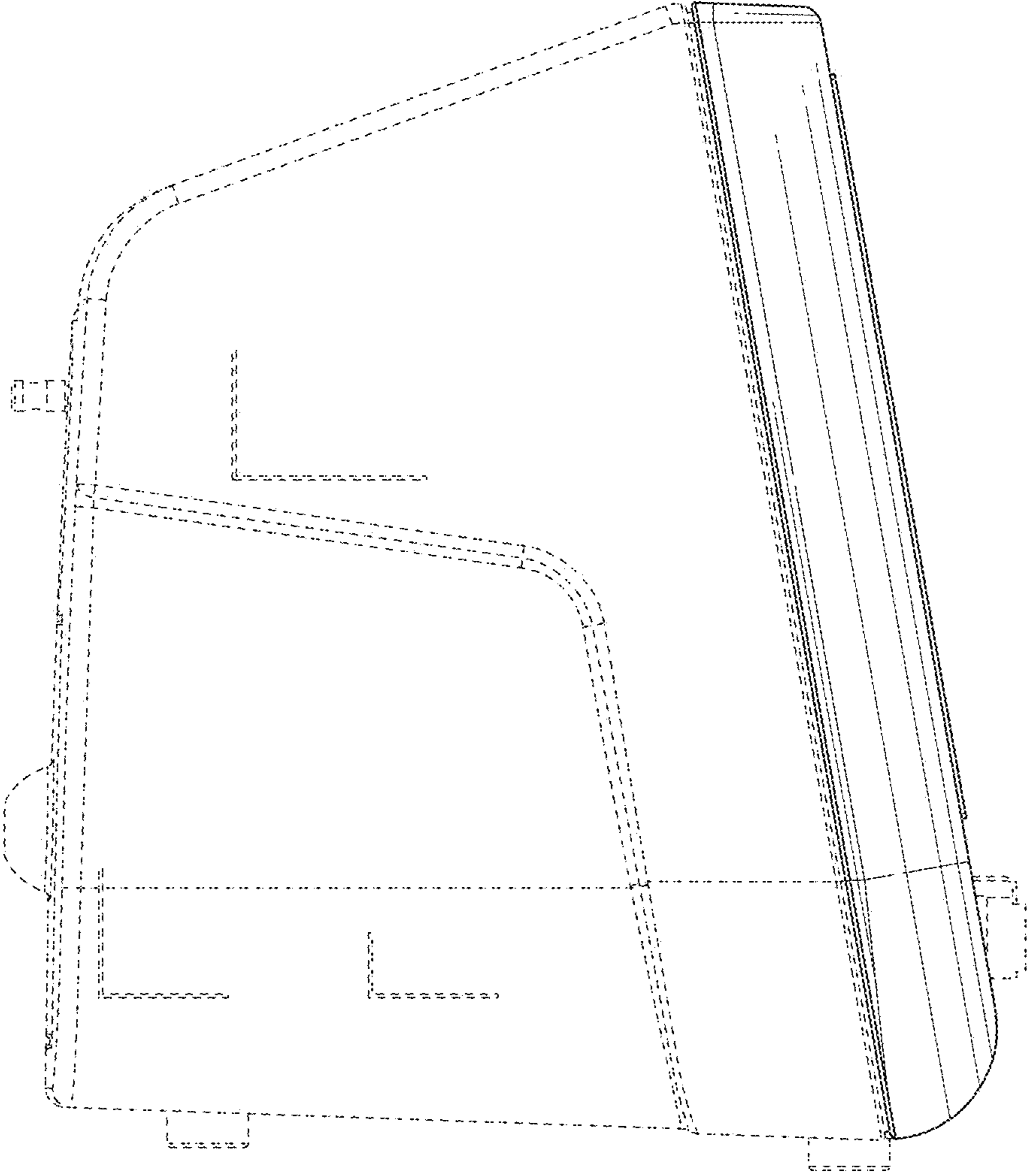


FIG. 4

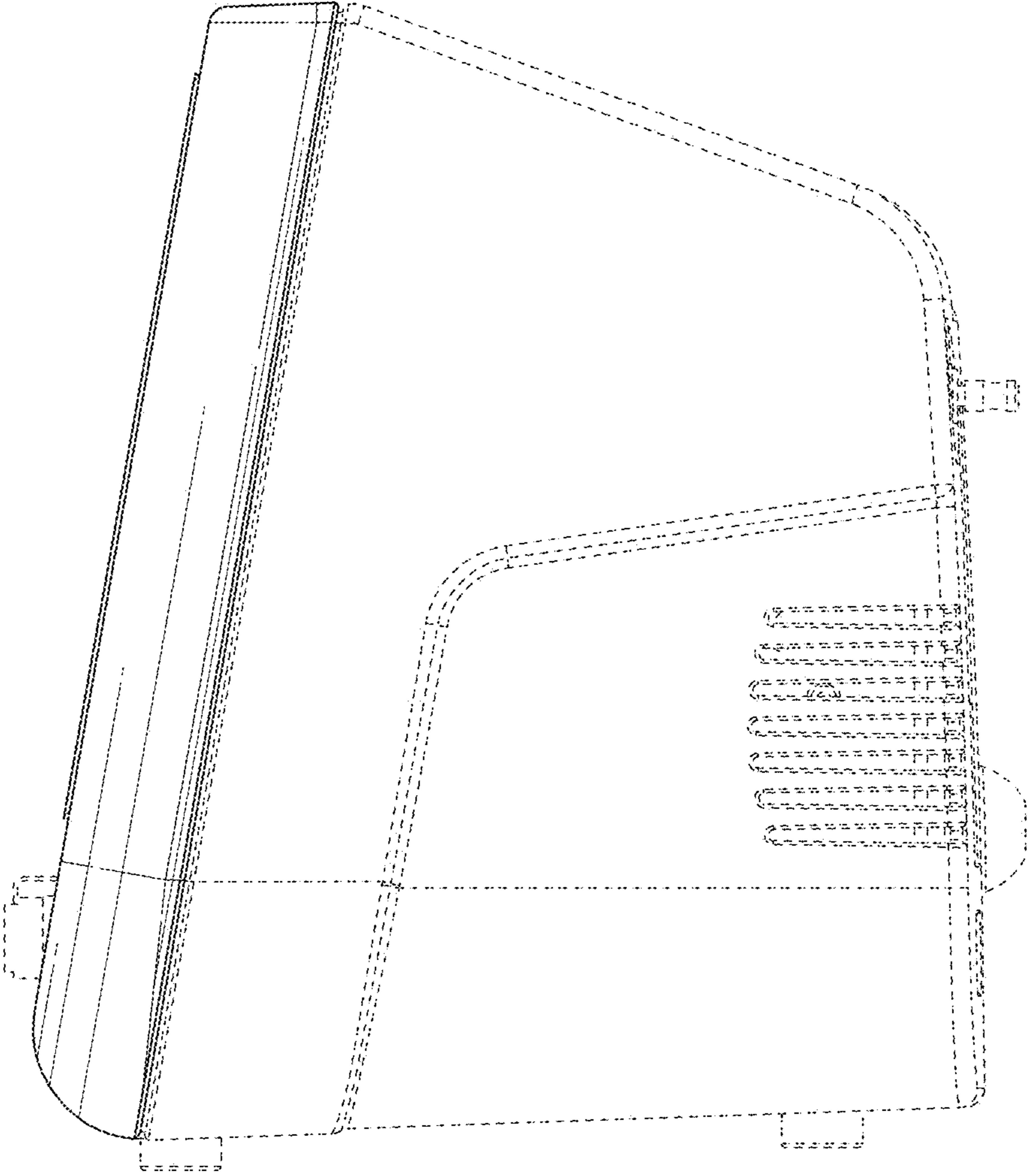


FIG. 5

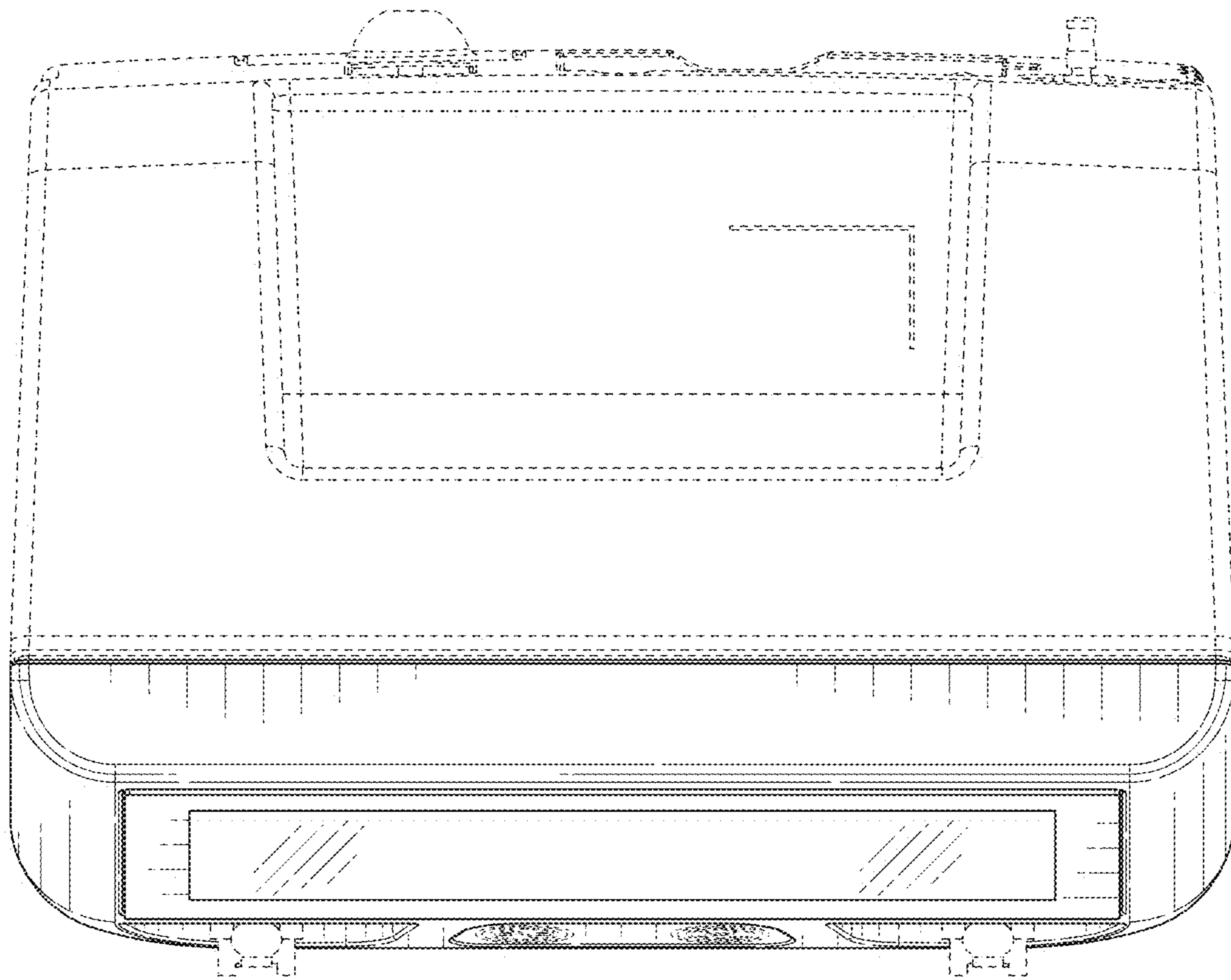


FIG. 6

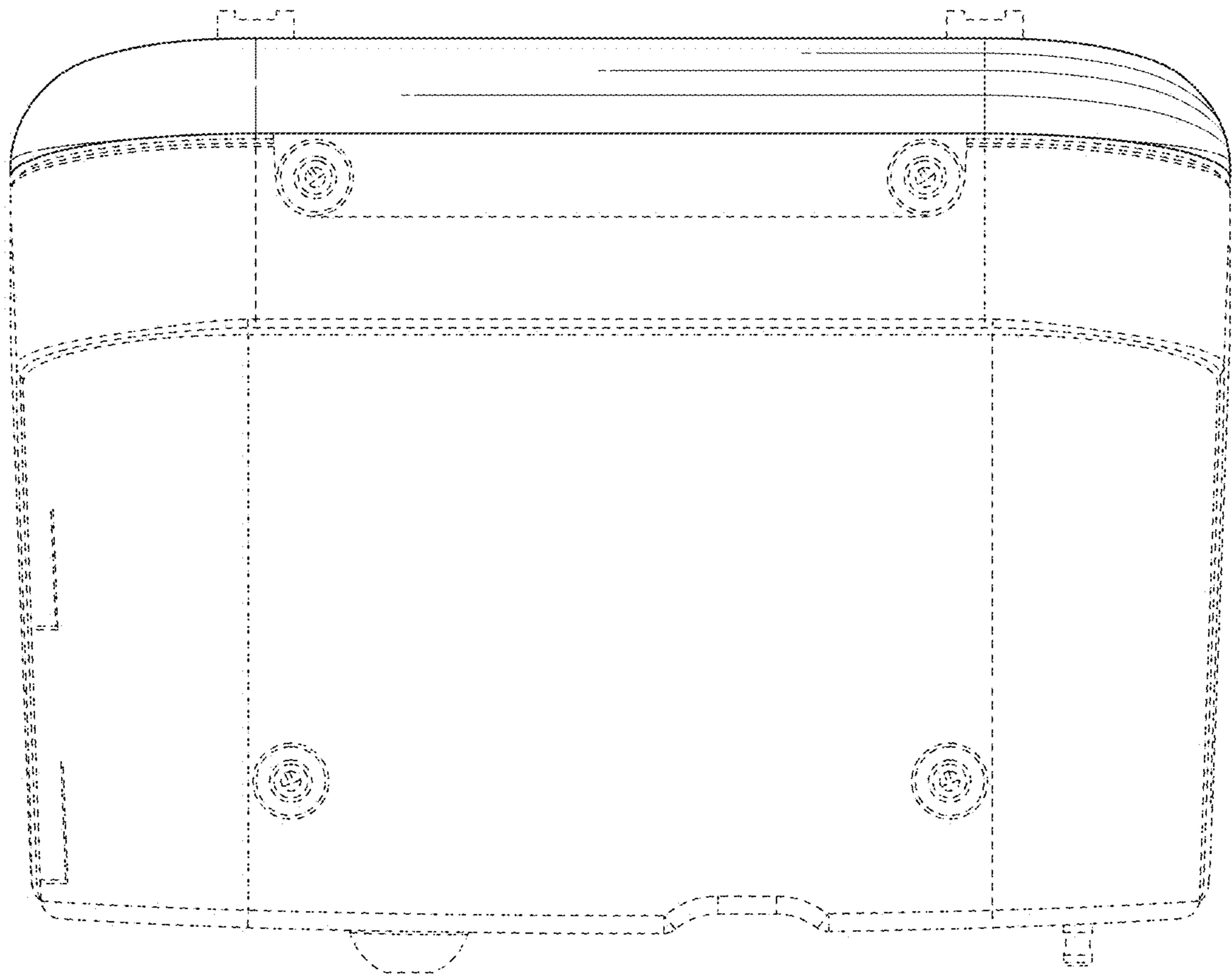


FIG. 7