



US00D979754S

(12) **United States Design Patent** (10) **Patent No.:** **US D979,754 S**
Kaspo (45) **Date of Patent:** **** Feb. 28, 2023**

- (54) **DENTAL IMPLEMENT**
- (71) Applicant: **CinZara, LLC**, Troy, MI (US)
- (72) Inventor: **Ghabi Kaspo**, Troy, MI (US)
- (73) Assignee: **CinZara, LLC**, Troy, MI (US)
- (**) Term: **15 Years**
- (21) Appl. No.: **29/851,485**
- (22) Filed: **Aug. 29, 2022**

- 5,569,035 A 10/1996 Balfour et al.
 - 5,791,902 A 8/1998 Lauks
 - 5,941,706 A 8/1999 Ura
 - 6,106,292 A 8/2000 Hollander et al.
 - D445,186 S * 7/2001 Mangione D24/119
- (Continued)

Related U.S. Application Data

- (60) Division of application No. 29/766,856, filed on Jan. 19, 2021, now Pat. No. Des. 965,149, which is a continuation-in-part of application No. 16/776,746, filed on Jan. 30, 2020.
- (51) **LOC (14) Cl.** **24-02**
- (52) **U.S. Cl.**
USPC **D24/147**
- (58) **Field of Classification Search**
USPC D24/100, 105, 107, 108, 110, 111, 112, D24/113, 114, 115, 116, 117, 118, 119, D24/140, 141, 144, 146, 147, 223, 224, D24/228; D28/7
CPC A61F 11/006; A61F 13/38; A61F 13/15; A61F 13/64; A61F 13/467; A61F 13/5611; A61F 13/4704; A61F 13/5616; A61F 13/4758; A61F 13/472; A61B 2017/246; A61B 17/1615; A61B 17/1697; A61B 2018/0231; A61M 2210/0662
See application file for complete search history.

References Cited

U.S. PATENT DOCUMENTS

- 4,820,156 A 4/1989 Ross
- 5,087,201 A 2/1992 Mondani et al.
- 5,098,293 A 3/1992 Loof et al.
- 5,261,818 A 11/1993 Shaw

OTHER PUBLICATIONS

U.S. Appl. No. 16/776,746, filed Jan. 30, 2020.
(Continued)

Primary Examiner — Samantha Q Lawrence
(74) *Attorney, Agent, or Firm* — Young Basile Hanlon & MacFarlane, P.C.

(57) **CLAIM**

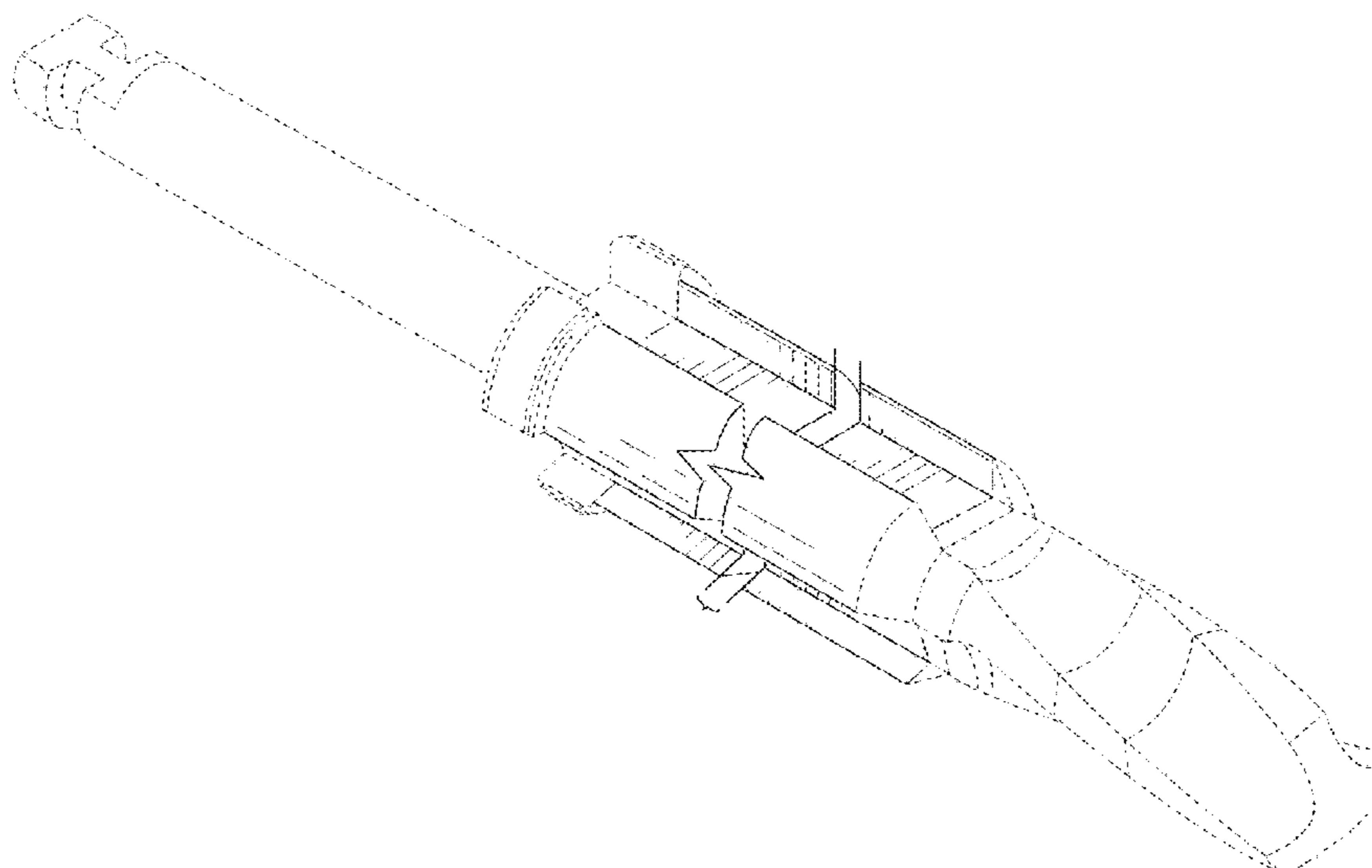
The ornamental design for a dental implement, as shown and described.

DESCRIPTION

FIG. 1 is a bottom, front, left perspective view of an embodiment of a dental implement of my new design.
 FIG. 2 is a left view thereof.
 FIG. 3 is a right view thereof.
 FIG. 4 is a front view thereof.
 FIG. 5 is a rear view thereof.
 FIG. 6 is a bottom view thereof.
 FIG. 7 is a top view thereof; and,
 FIG. 8 is a cross-sectional view thereof taken along line 8-8 in FIG. 2.

Broken lines of equal length (e.g., dash-dash) represent unclaimed portions of the dental implement and form no part of the claimed design. Broken lines of unequal length (e.g., dash-dot) define bounds of the claimed subject matter and form no part of the claimed design. Break lines having a jagged element illustrate that no particular length of the portion is claimed and form no part of the claimed design. The appearance of any portion between the break lines forms no part of the claimed design.

1 Claim, 4 Drawing Sheets



(56)

References Cited

U.S. PATENT DOCUMENTS

6,319,005 B1 11/2001 Hollander et al.
6,364,662 B1 4/2002 Kumar
D460,331 S * 7/2002 Mangione D8/51
6,419,490 B1 7/2002 Kitchings Weathers, Jr.
6,517,581 B2 2/2003 Blarney
6,641,395 B2 11/2003 Kumar et al.
7,211,061 B1 5/2007 Maxwell
D571,046 S * 6/2008 Ponzini D28/68
7,695,279 B2 4/2010 Hirsch et al.
8,899,984 B2 12/2014 Llop et al.
D742,506 S 11/2015 Burke
D768,292 S 10/2016 Maher
D815,734 S 4/2018 Burke
D872,299 S 1/2020 Trump et al.
D898,911 S 10/2020 Beer et al.
D901,684 S 11/2020 Angert
D901,685 S 11/2020 Wang
D902,402 S 11/2020 Wang
D940,304 S 1/2022 Thau et al.
D965,149 S * 9/2022 Kaspo D24/147
2010/0173259 A1 7/2010 Vogel et al.
2014/0220508 A1 8/2014 Scalise et al.
2018/0369553 A1 12/2018 Siciliano
2021/0015496 A1 1/2021 Lee
2021/0236237 A1 8/2021 Kaspo

OTHER PUBLICATIONS

International Search Report in corresponding International Patent Application PCT/US2021/015003, dated Apr. 15, 2021, 8 pgs.

* cited by examiner

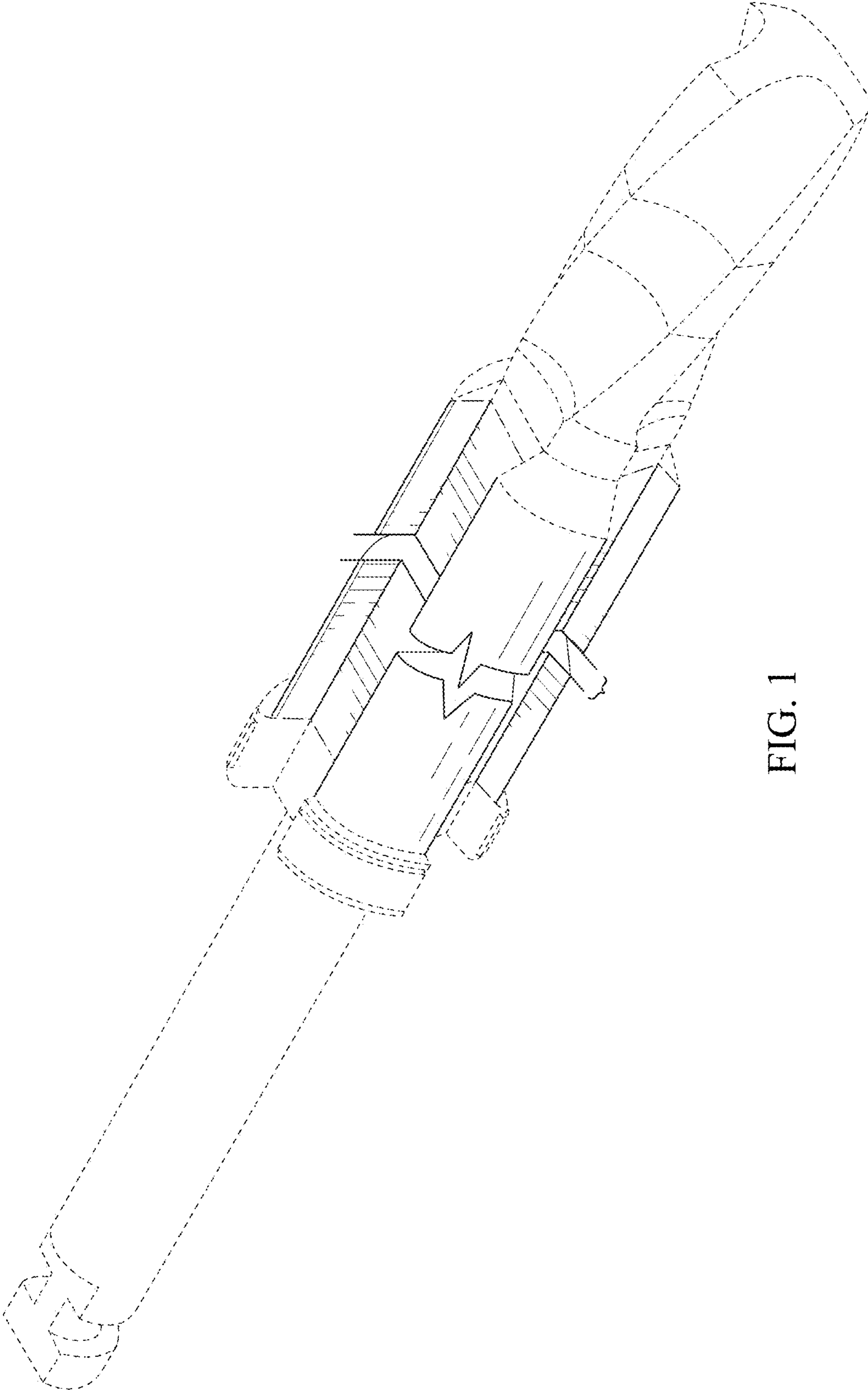


FIG. 1

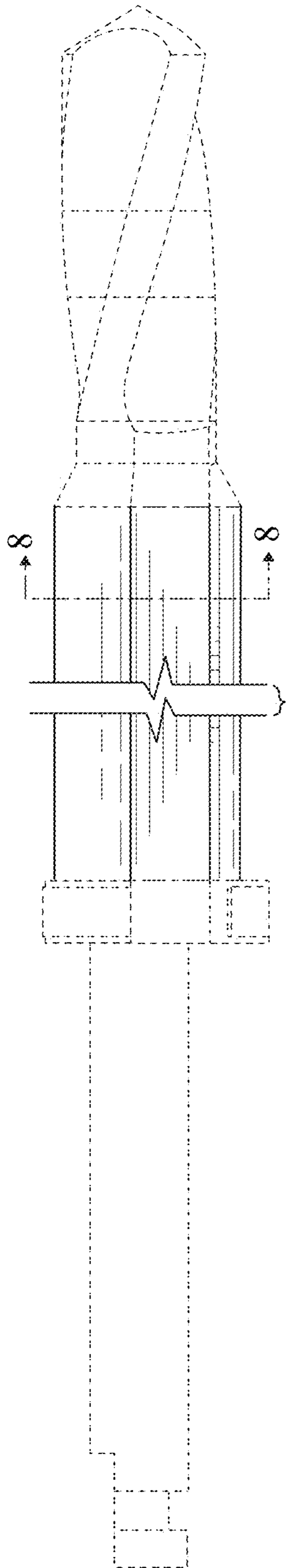


FIG. 2

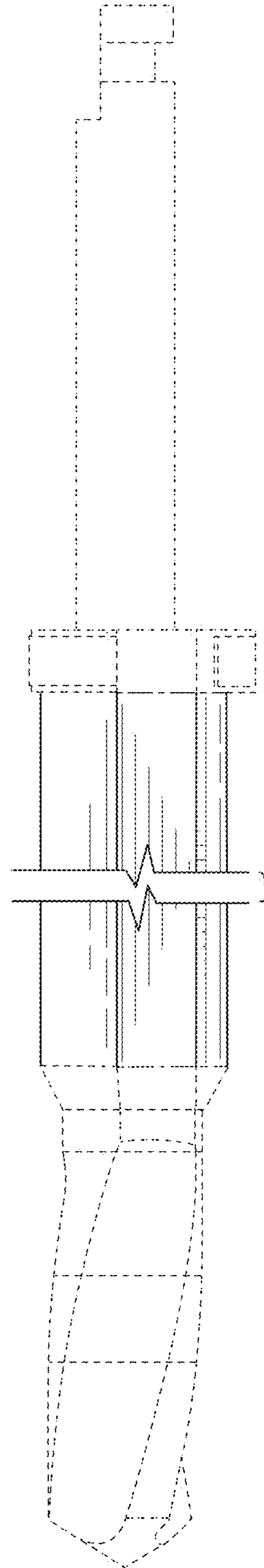


FIG. 3

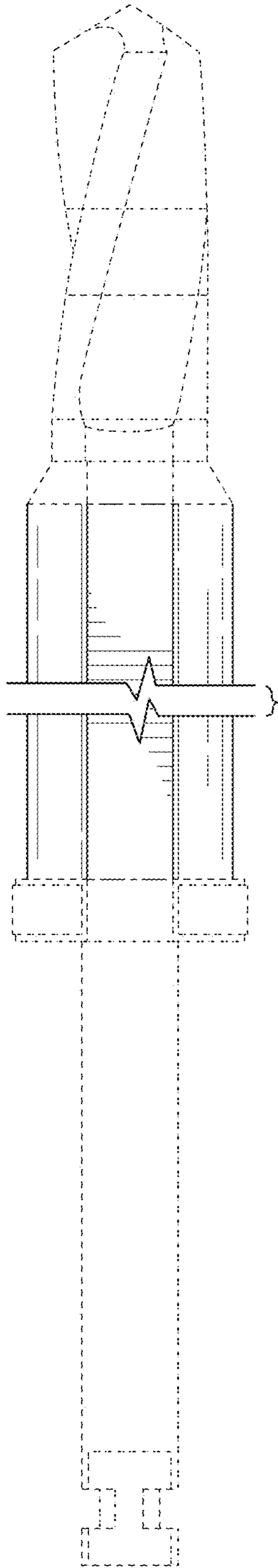


FIG. 4

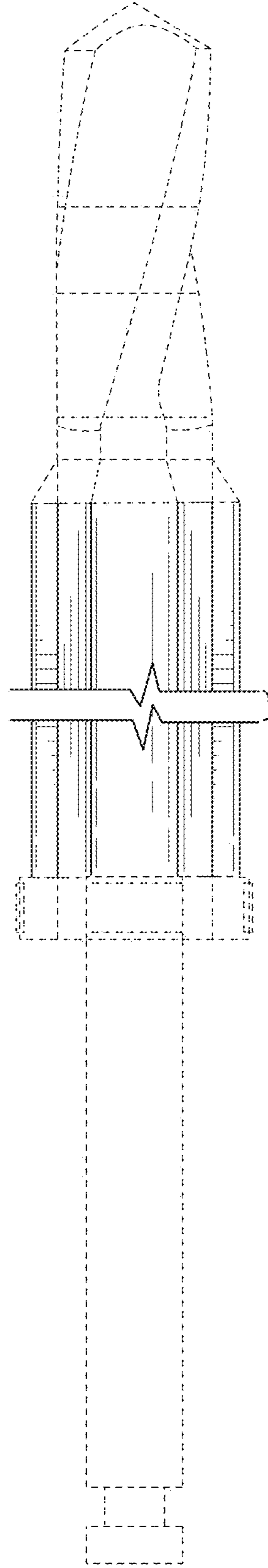


FIG. 5

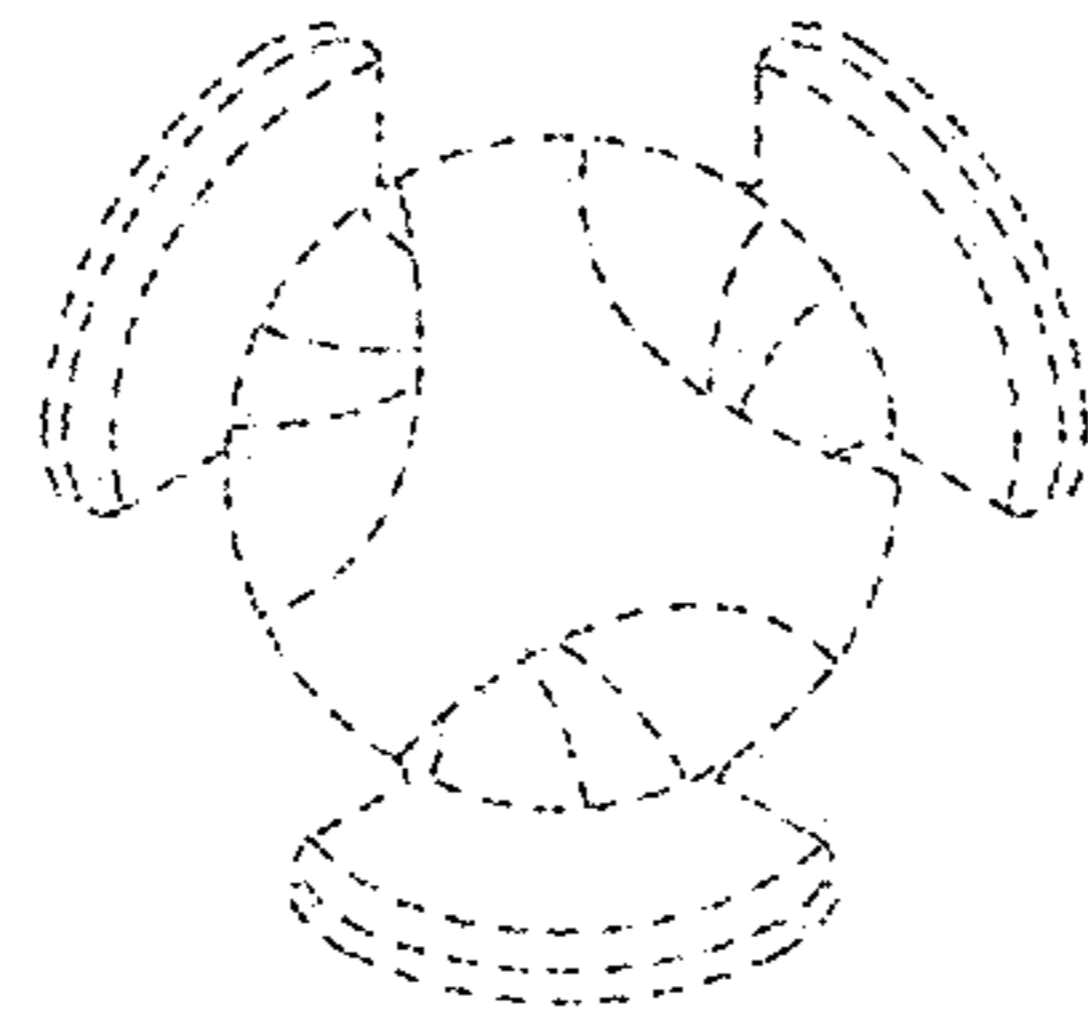


FIG. 6

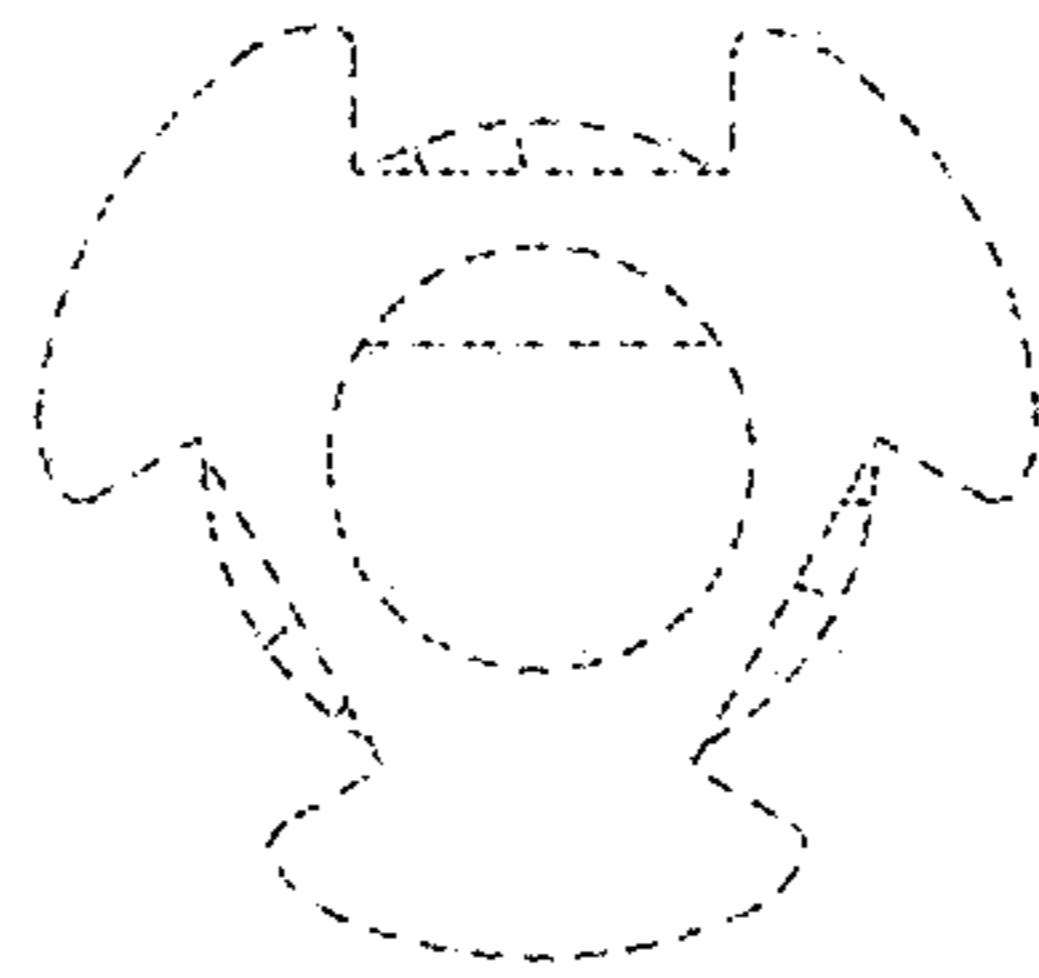


FIG. 7

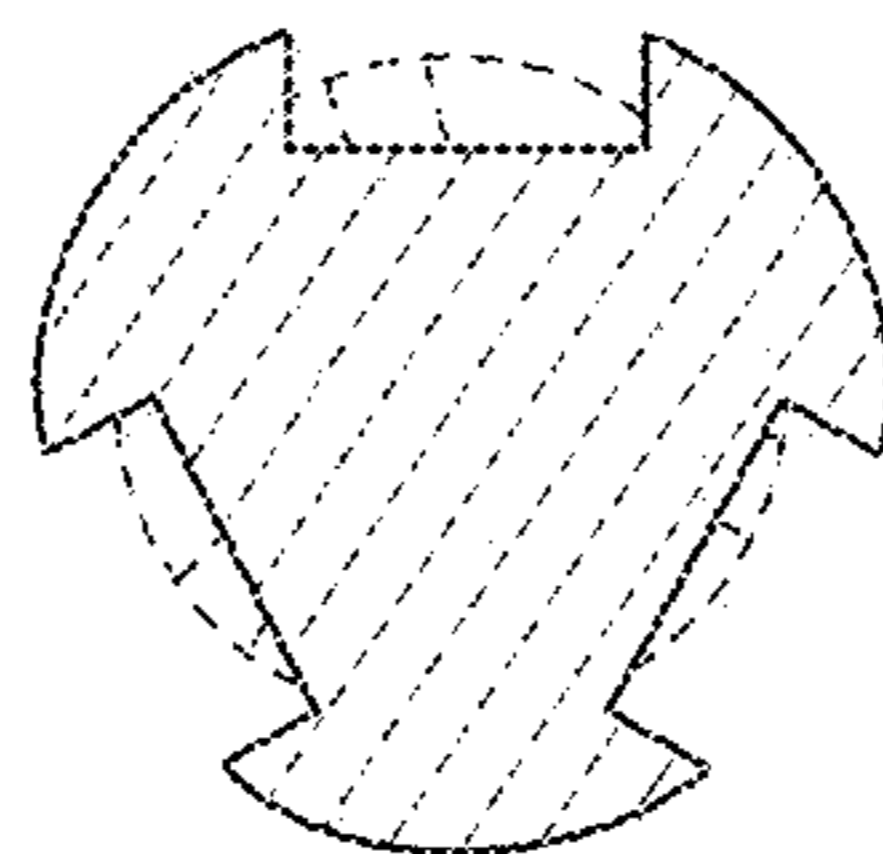


FIG. 8