



US00D979753S

(12) **United States Design Patent**  
**Rosas**

(10) **Patent No.:** **US D979,753 S**

(45) **Date of Patent:** **\*\* Feb. 28, 2023**

(54) **REUSABLE MENSTRUAL DISC WITH  
LOOPED REMOVAL TAB**

(71) Applicant: **KDR Creative, LLC**, Pineville, NC  
(US)

(72) Inventor: **Kimberly Rosas**, Pineville, NC (US)

(73) Assignee: **KDR Creative, LLC**, Pineville, NC  
(US)

(\*\*) Term: **15 Years**

(21) Appl. No.: **29/747,011**

(22) Filed: **Aug. 19, 2020**

(51) **LOC (14) Cl.** ..... **24-02**

(52) **U.S. Cl.**  
USPC ..... **D24/141**

(58) **Field of Classification Search**  
USPC ..... D24/141, 121, 124–125  
CPC .. A61F 6/06; A61F 6/08; A61F 5/4553; A61F  
5/455; A61F 13/2045  
See application file for complete search history.

(56) **References Cited**

**U.S. PATENT DOCUMENTS**

3,042,029	A *	7/1962	Johansson	.....	A61F 6/08 128/837
4,703,752	A *	11/1987	Gabbay	.....	A61F 6/08 128/841
5,857,959	A *	1/1999	La Veau	.....	A61F 6/08 600/33
8,511,313	B2 *	8/2013	Young	.....	A61F 6/08 128/830
8,795,248	B2 *	8/2014	Shihata	.....	A61F 5/4553 604/385.18

D939,085	S *	12/2021	Meng	.....	D24/141
2009/0101155	A1 *	4/2009	Young	.....	A61F 6/08 128/830
2021/0275347	A1 *	9/2021	Friend	.....	A61F 6/08

**OTHER PUBLICATIONS**

Period Shop “Hello Disc”. Retrieved on Jun. 16, 2022. Retrieved from Internet <<https://period.shop/products/hello-disc>>. Write review date—Feb. 21, 2022.\*

\* cited by examiner

*Primary Examiner* — Wan Laymon

(74) *Attorney, Agent, or Firm* — Burr & Forman LLP;  
Douglas L. Lineberry

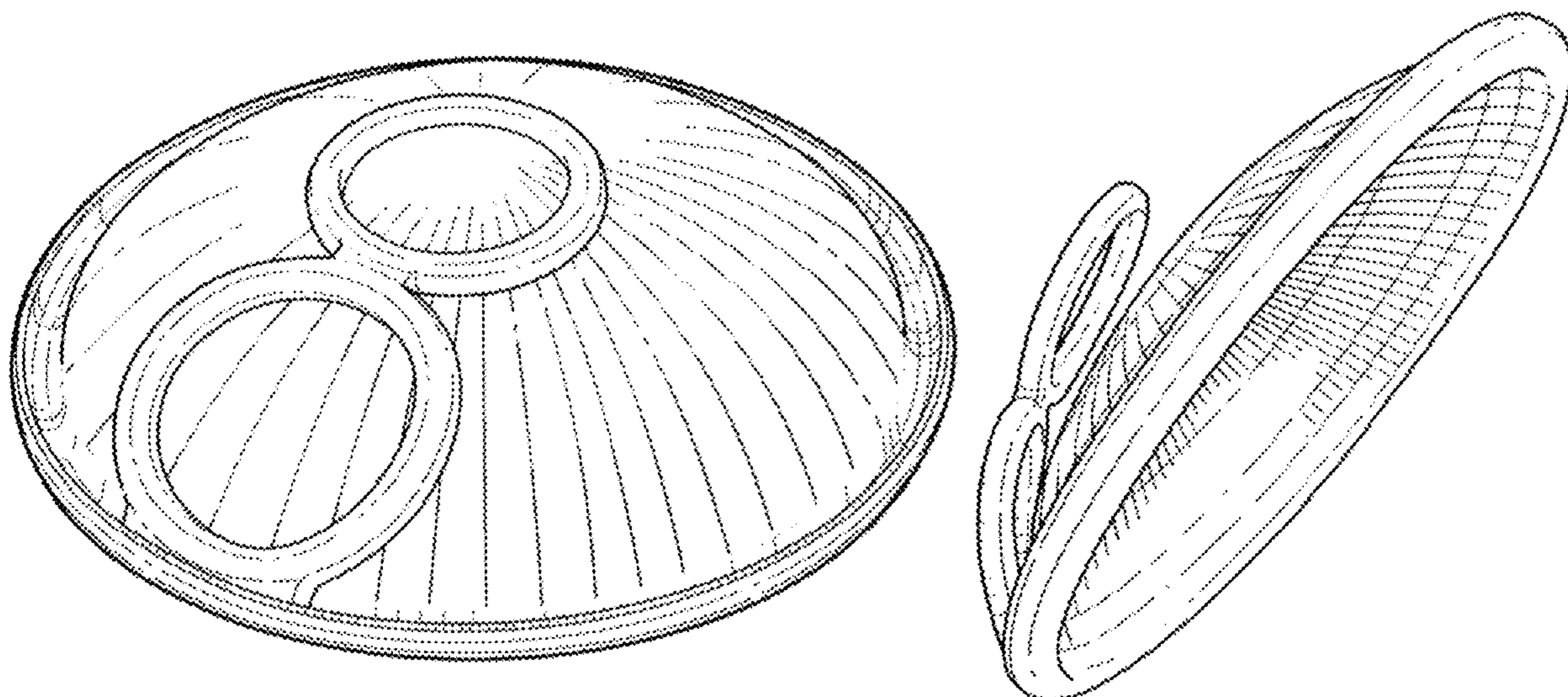
(57) **CLAIM**

The ornamental design for a reusable menstrual disc with looped removal tab, as shown and described.

**DESCRIPTION**

FIG. 1 is a top perspective view of the reusable menstrual disc with looped removal tab;  
FIG. 2 is a bottom perspective view of the reusable menstrual disc with looped removal tab;  
FIG. 3 is a front view of the reusable menstrual disc with looped removal tab;  
FIG. 4 is a back (rear) view of the reusable menstrual disc with looped removal tab;  
FIG. 5 is a left side view of the reusable menstrual disc with looped removal tab;  
FIG. 6 is a right side view of the reusable menstrual disc with looped removal tab;  
FIG. 7 is a reduced top view of the reusable menstrual disc with looped removal tab; and,  
FIG. 8 is a reduced bottom view of the reusable menstrual disc with looped removal tab.

**1 Claim, 4 Drawing Sheets**



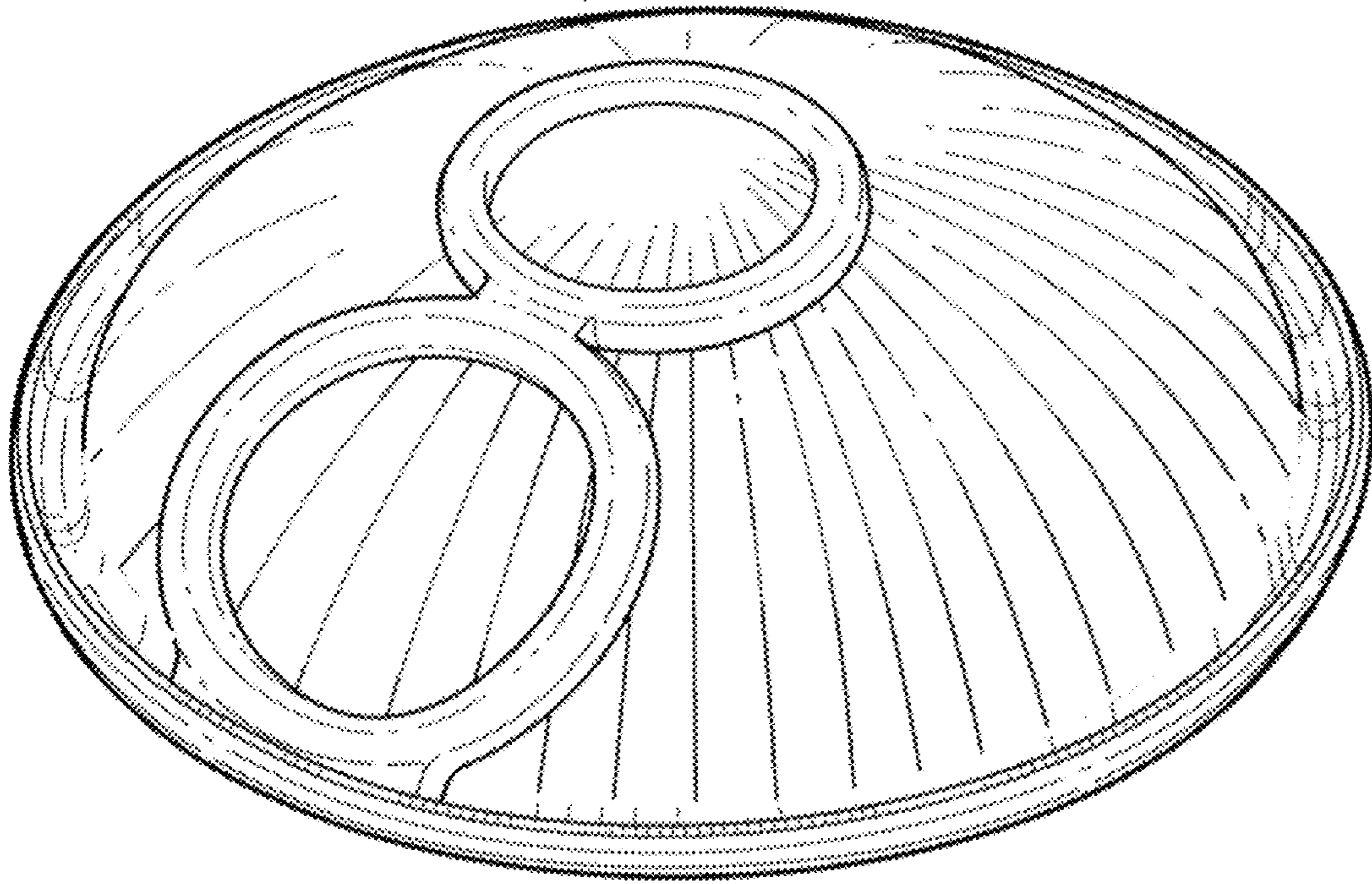


Fig. 1

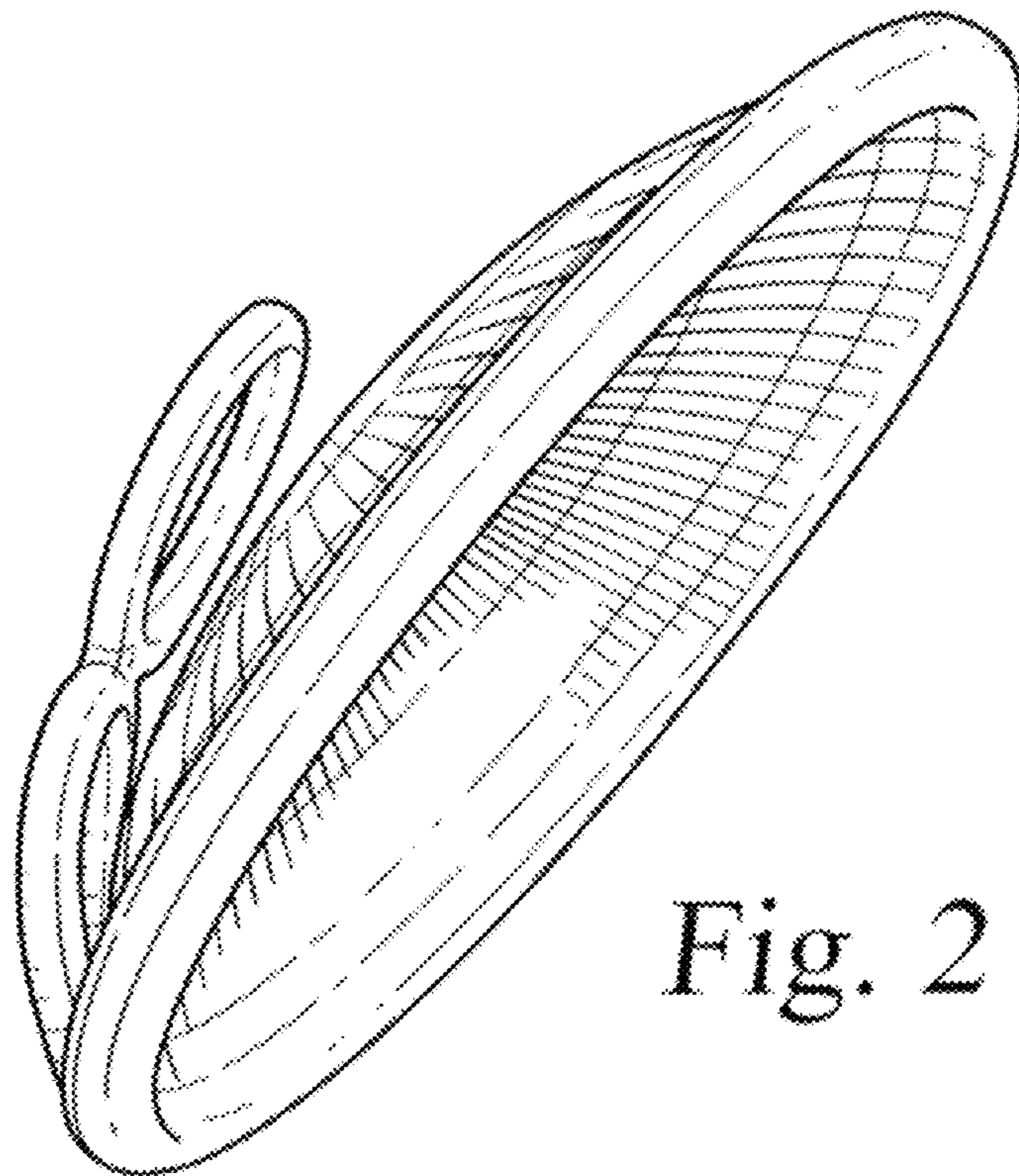
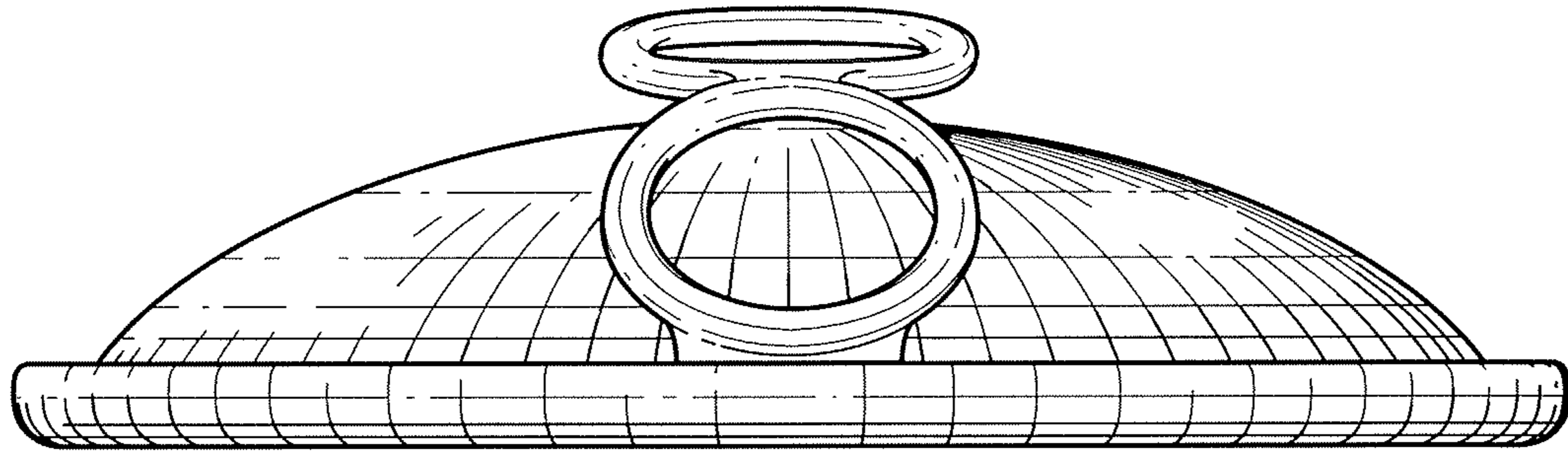
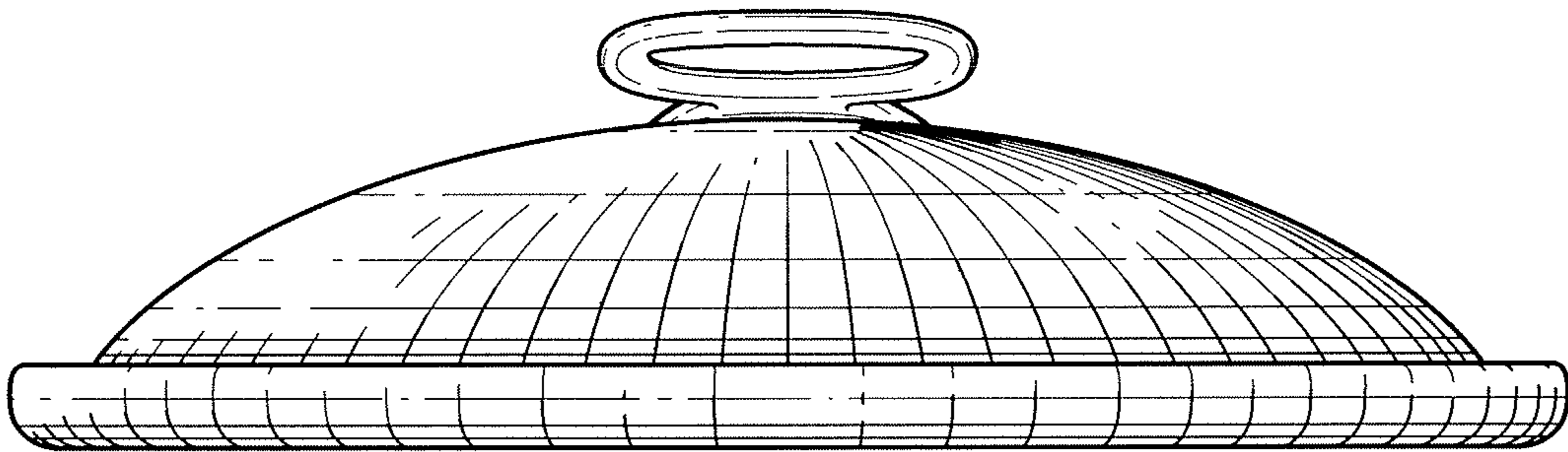


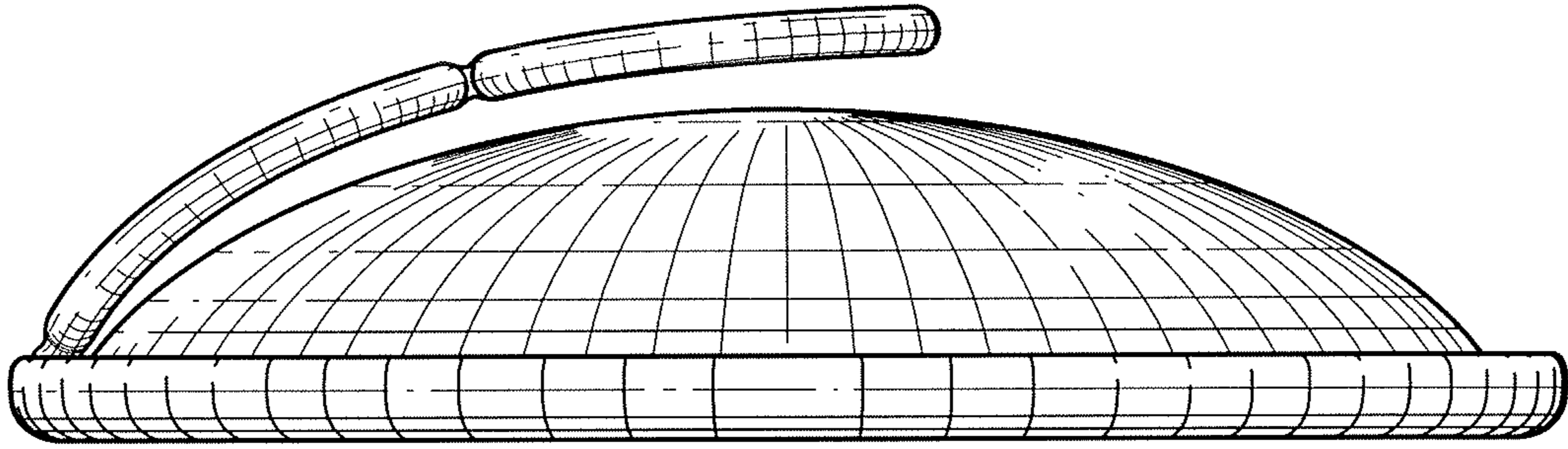
Fig. 2



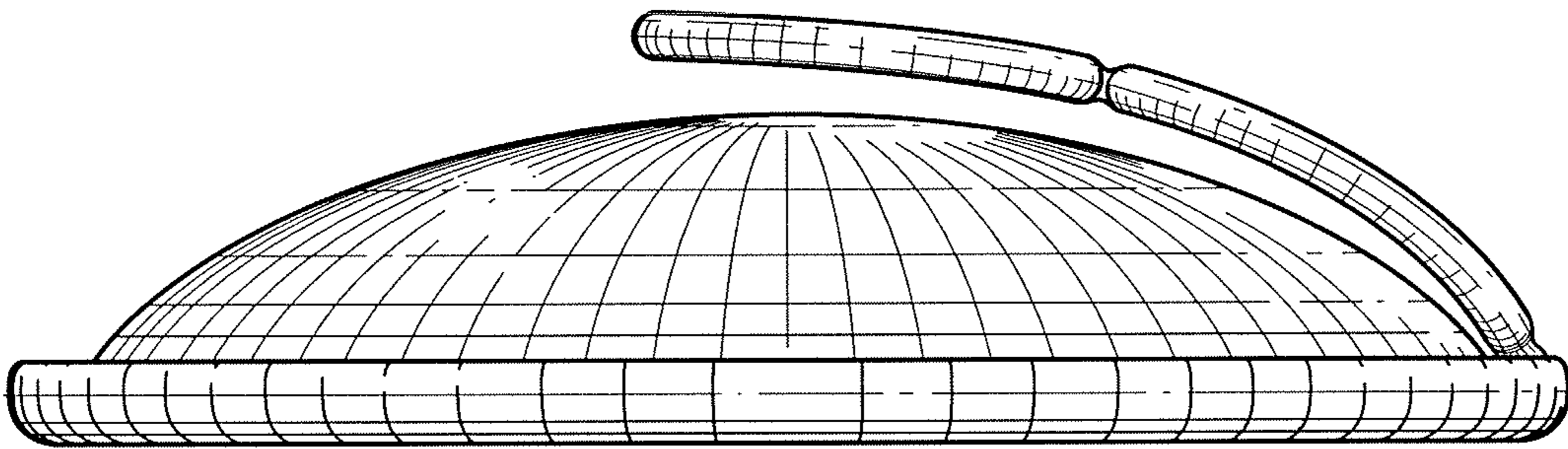
*Fig. 3*



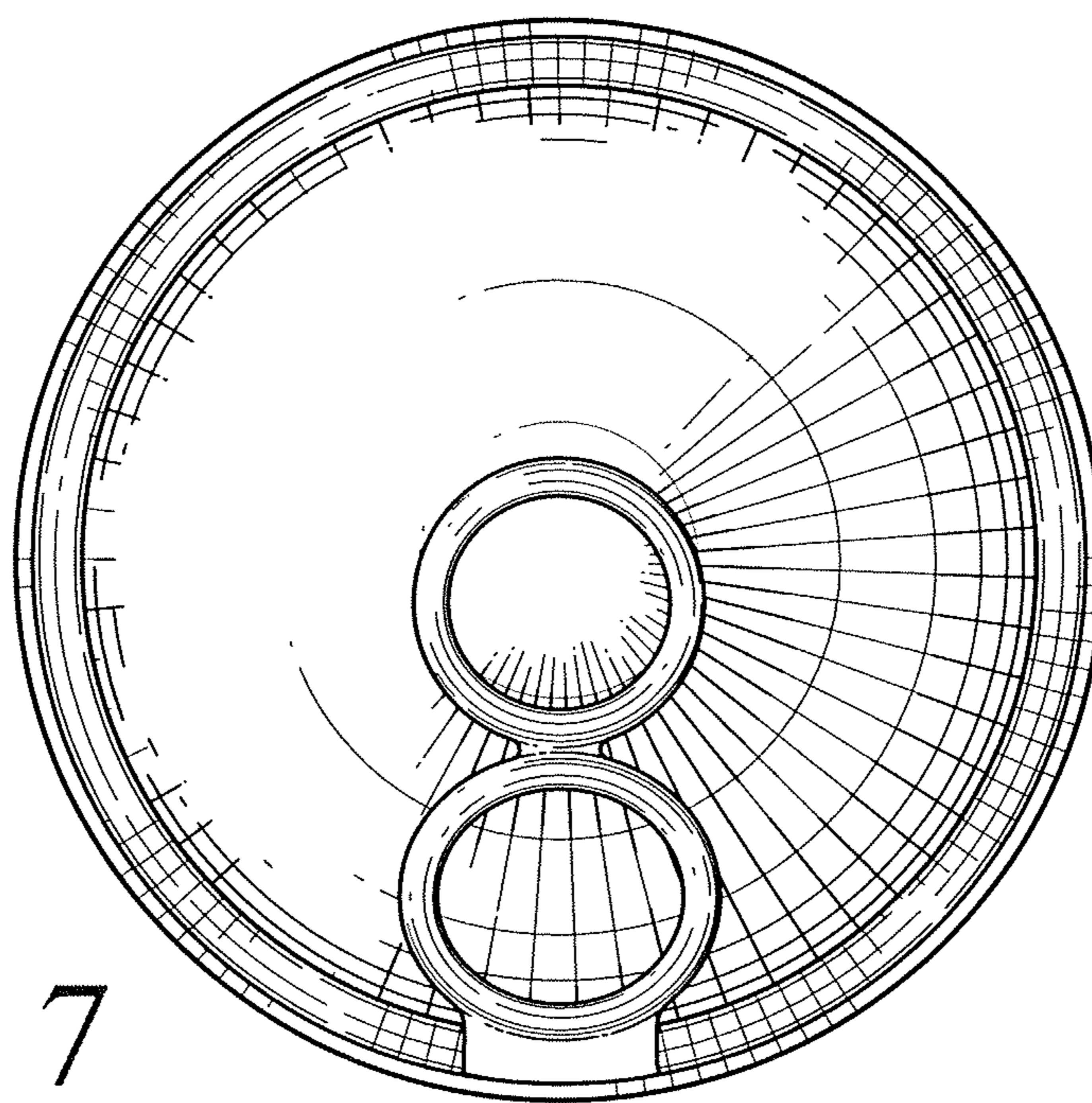
*Fig. 4*



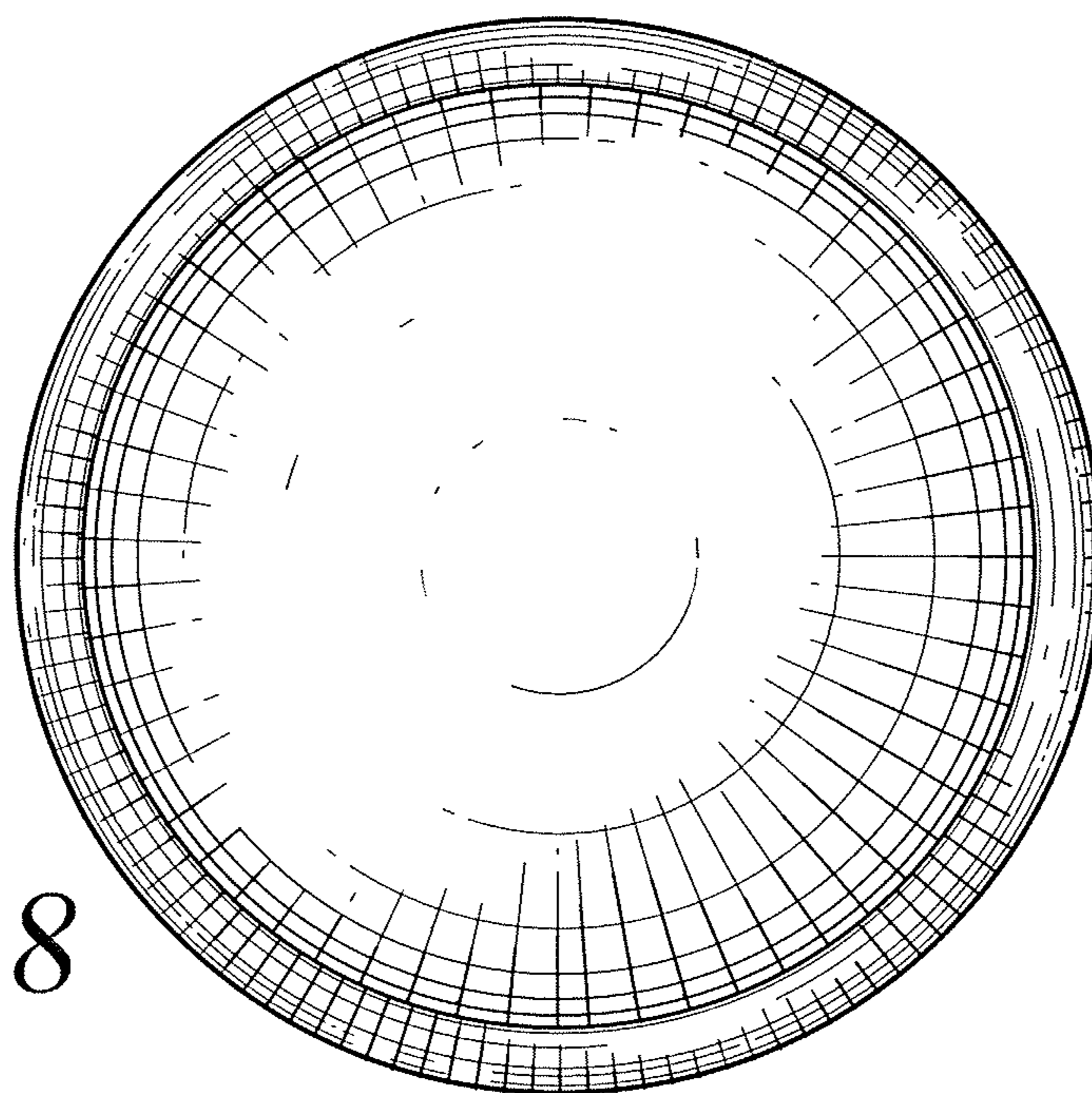
*Fig. 5*



*Fig. 6*



*Fig. 7*



*Fig. 8*