



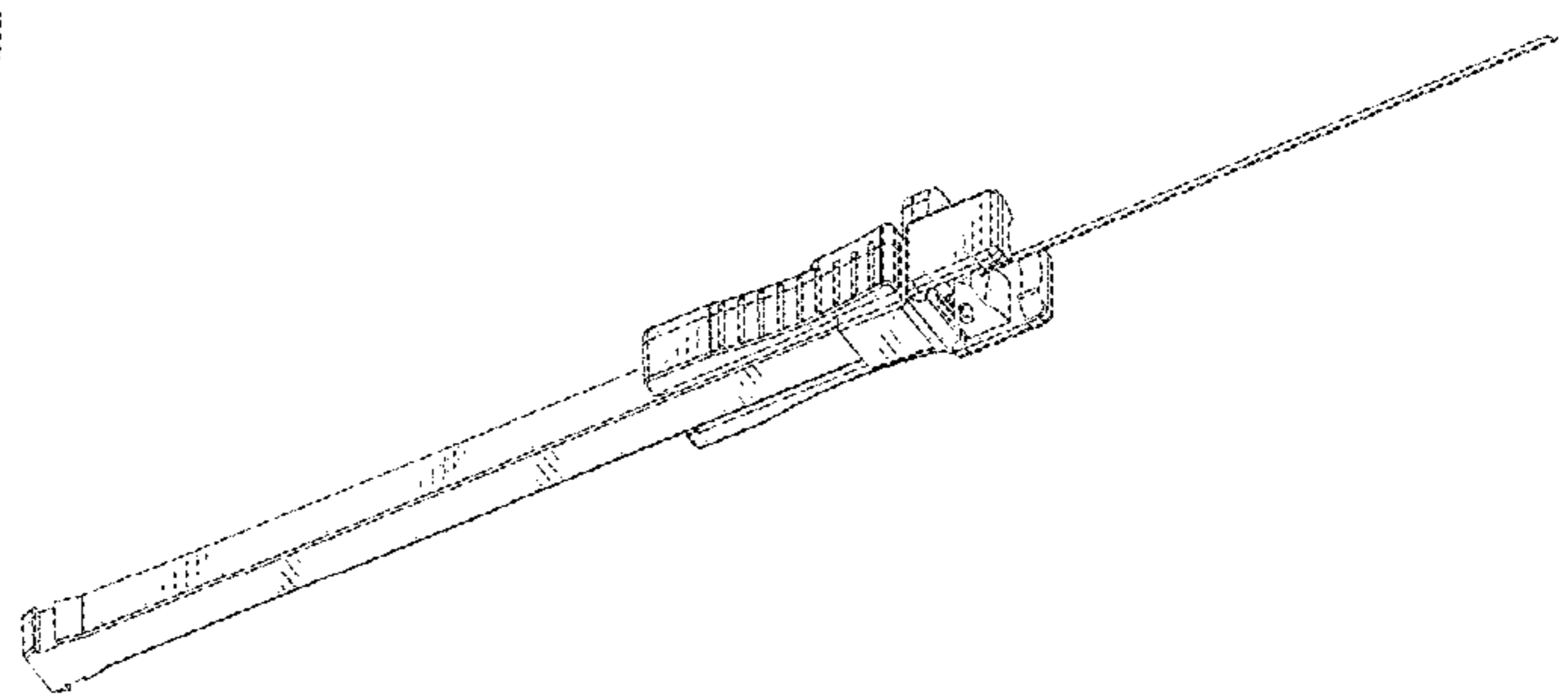
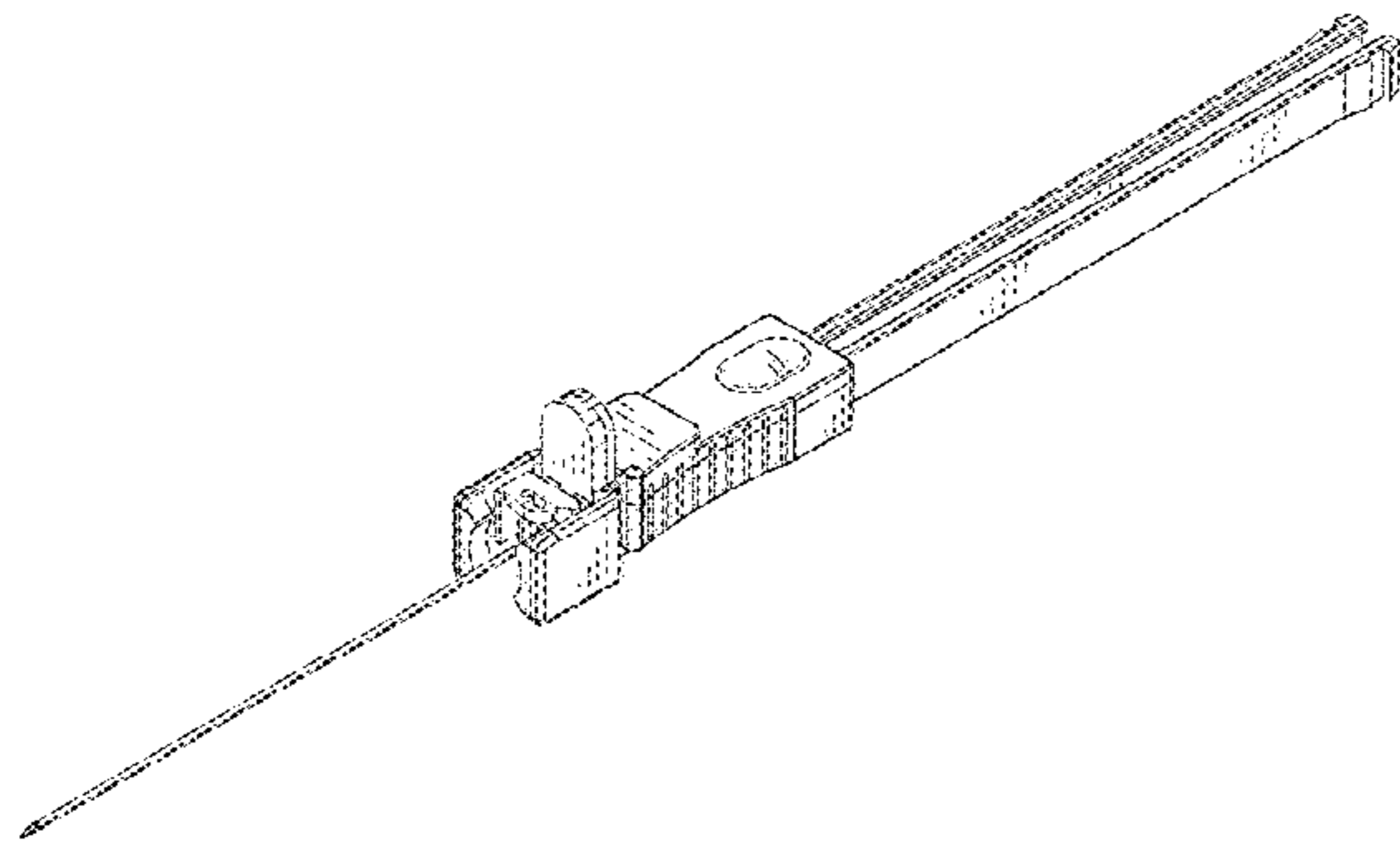
US00D979746S

(12) **United States Design Patent** (10) **Patent No.:** **US D979,746 S**  
**Antonucci et al.** (45) **Date of Patent:** **\*\* Feb. 28, 2023**

(54) **OVER-THE-NEEDLE CATHETER INSERTION DEVICE**  
(71) Applicant: **Luther Needlesafe Products, LLC**,  
Mission Viejo, CA (US)  
(72) Inventors: **Joseph G. Antonucci**, Mission Viejo,  
CA (US); **Joseph B. Antonucci**,  
Mission Viejo, CA (US); **Philip J.**  
**Antonucci**, Mission Viejo, CA (US);  
**John Muri**, Mission Viejo, CA (US);  
**Jeff Alan Burke**, Murrieta, CA (US);  
**Daniel Jason Velasco**, Murrieta, CA  
(US); **Joshua Alexander Sparks**,  
Murrieta, CA (US); **Kevin Martin**  
**Magrini**, Murrieta, CA (US)  
(73) Assignee: **Luther Needlesafe Products, LLC**,  
Mission Viejo, CA (US)  
(\*\*) Term: **15 Years**  
(21) Appl. No.: **29/772,121**  
(22) Filed: **Feb. 26, 2021**  
(51) **LOC (14) Cl.** ..... **24-02**  
(52) **U.S. Cl.**  
USPC ..... **D24/112**  
(58) **Field of Classification Search**  
USPC ..... D24/112-114, 133, 186, 130, 127, 108  
CPC .. A61M 25/065; A61M 5/42; A61M 25/0612;  
A61M 25/00; A61M 39/00; A61M 27/00;  
A61M 25/0043; A61M 25/0067  
See application file for complete search history.

4,747,831 A 5/1988 Kulli  
4,762,516 A 8/1988 Luther et al.  
4,763,667 A 8/1988 Manzo  
4,767,407 A 8/1988 Foran  
4,781,691 A 11/1988 Gross  
4,790,828 A 12/1988 Dombrowski et al.  
4,795,446 A 1/1989 Fecht  
4,808,156 A 2/1989 Dean  
4,841,007 A 6/1989 Zdrahala et al.  
4,869,717 A 9/1989 Adair  
4,935,480 A 6/1990 Zdrahala et al.  
4,936,826 A 6/1990 Amarasinghe  
4,944,728 A 7/1990 Carrell et al.  
4,950,252 A 8/1990 Luther et al.  
4,964,854 A 10/1990 Luther  
4,978,344 A 12/1990 Dombrowski et al.  
4,994,041 A 2/1991 Dombrowski et al.  
5,106,376 A 4/1992 Mononen et al.  
5,135,502 A 8/1992 Koenig, Jr. et al.  
5,137,515 A 8/1992 Hogan  
5,215,525 A 6/1993 Sturman  
5,226,883 A 7/1993 Katsaros et al.  
RE34,416 E 10/1993 Lemieux  
5,295,974 A 3/1994 O'Laughlin  
5,295,980 A 3/1994 Ersek  
5,300,045 A 4/1994 Plassche  
5,312,345 A 5/1994 Cole  
5,312,371 A 5/1994 Dombrowski et al.  
5,330,434 A 7/1994 Mcfarlane  
5,334,185 A 8/1994 Giesy et al.  
5,403,283 A 4/1995 Luther  
5,419,766 A 5/1995 Chang et al.  
5,531,701 A 7/1996 Luther  
5,533,988 A 7/1996 Dickerson et al.  
5,558,651 A 9/1996 Crawford et al.  
5,569,202 A 10/1996 Kovalic et al.  
5,569,217 A 10/1996 Luther  
5,575,777 A 11/1996 Cover et al.  
5,599,310 A 2/1997 Bogert  
5,611,781 A 3/1997 Sircom et al.  
5,634,913 A 6/1997 Stinger  
5,662,610 A 9/1997 Sircom  
5,683,370 A 11/1997 Luther et al.  
5,685,855 A 11/1997 Erskine  
5,688,249 A 11/1997 Chang et al.  
5,718,688 A 2/1998 Wozencroft  
5,830,190 A 11/1998 Howell  
5,865,806 A 2/1999 Howell  
5,891,098 A 4/1999 Huang  
5,913,848 A 6/1999 Luther et al.  
5,916,208 A 6/1999 Luther et al.  
5,935,108 A 8/1999 Katoh et al.  
5,957,893 A 9/1999 Luther et al.

(56) **References Cited**  
**U.S. PATENT DOCUMENTS**  
2,717,599 A 9/1955 Huber  
3,448,740 A 6/1969 Figge  
3,589,363 A 6/1971 Banko et al.  
3,612,050 A 10/1971 Sheridan  
3,645,268 A 2/1972 Capote  
3,780,733 A 12/1973 Martinez  
4,343,305 A 8/1982 Bron  
4,549,879 A 10/1985 Groshong et al.  
4,565,545 A 1/1986 Suzuki  
4,626,240 A 12/1986 Edelman et al.  
4,702,260 A 10/1987 Wang



5,989,220	A	11/1999	Shaw et al.	
6,004,294	A	12/1999	Brimhall et al.	
6,056,718	A	5/2000	Funderburk et al.	
6,090,078	A	7/2000	Erskine	
6,203,533	B1	3/2001	Ouchi	
6,213,978	B1	4/2001	Voyten	
6,217,527	B1	4/2001	Selmon et al.	
6,379,333	B1	4/2002	Brimhall et al.	
6,520,938	B1	2/2003	Funderburk et al.	
6,595,954	B1	7/2003	Luther et al.	
D484,597	S *	12/2003	Koros	D24/146
D492,774	S *	7/2004	Cindrich	D24/130
6,981,965	B2	1/2006	Luther et al.	
7,753,887	B2	7/2010	Botich et al.	
8,057,439	B2	11/2011	Di Fiore	
D669,577	S *	10/2012	Holsinger	D24/112
D699,341	S *	2/2014	Clark	D24/112
10,238,840	B2 *	3/2019	Ishida	A61M 25/0668
D864,388	S *	10/2019	Barber	D24/133
10,569,027	B2 *	2/2020	Misle	A61M 5/3297
10,569,056	B2 *	2/2020	Ishida	A61M 25/0612
11,062,833	B2 *	7/2021	Ma	A61B 50/3001
D955,565	S *	6/2022	Moleda	D24/112
2003/0083620	A1	5/2003	Luther et al.	
2004/0167474	A1	8/2004	Meng et al.	
2007/0088279	A1	4/2007	Shue et al.	
2007/0161940	A1	7/2007	Blanchard et al.	
2007/0191776	A1	8/2007	Bialecki et al.	
2008/0287876	A1	11/2008	Shue et al.	
2010/0056862	A1	3/2010	Bakos	
2010/0081986	A1	4/2010	Matson et al.	
2011/0001557	A1	1/2011	Huang et al.	
2011/0015573	A1	1/2011	Maan et al.	
2011/0168171	A1	7/2011	Tsuboko et al.	
2012/0245562	A1	9/2012	Bihlmaier	
2013/0053826	A1	2/2013	Shevgoor	
2013/0060137	A1	3/2013	Uber, III et al.	
2016/0045311	A1 *	2/2016	McCann	A61F 2/2412 623/2.11
2019/0184141	A1	6/2019	Antonucci	

FOREIGN PATENT DOCUMENTS

CN	1046286	A	10/1990
CN	1146918	A	4/1997
CN	1173376	A	2/1998
CN	201101798	Y	8/2008
EP	343803	A2	11/1989
EP	475375	A1	3/1992
EP	645159	A1	3/1995
EP	734739	A2	10/1996
EP	747083	A2	12/1996
EP	791370	A1	8/1997
EP	830872	A2	3/1998
EP	1110576	A1	6/2001
JP	08257129	A	10/1996
JP	09099069	A	4/1997
JP	2962268	B2	10/1999
KR	301038113.0000	*	12/2019
WO	9533509	A1	12/1995
WO	9908742	A1	2/1999
WO	0006226	A1	2/2000
WO	0013728	A1	3/2000
WO	2004045701	A1	6/2004
WO	2007098355	A1	8/2007

OTHER PUBLICATIONS

The Mini-Midline Extended Dwell Peripheral IV Safety Catheter , Luther Needlesafe Products, [Post date: Jun. 23, 2019], [Site seen

Jul. 6, 2022], Seen at URL: npinc.net/mini-midline.html (Year: 2019).\*

Safety Catheter: 50 PK, Medsource, Grainger.com, [Post date unknown], [Site seen Jul. 6, 2022], Seen at URL: https://www.grainger.com/product/MEDSOURCE-Safety-Catheter-50-PK-487H80 (Year: 2022).\*

B Braun Introcath Protective IV Catheters, B Braun, Lifeactionsafety.com, [Post date unknown], [Site seen Jul. 6, 2022] , Seen at URL: https://liveactionsafety.com/b-braun-introcath-protective-iv-catheters (Year: 2022).\*

Patent Cooperation Treaty, International Search Report and Written Opinion for International Application No. PCT/US 22/11317, dated Jul. 6, 2022, 9 pages.

\* cited by examiner

*Primary Examiner* — Natasha Vujcic

*Assistant Examiner* — Gilbert B Ford

(74) *Attorney, Agent, or Firm* — Stetina Brunda Garred and Brucker

(57) **CLAIM**

The ornamental design for an over-the-needle catheter insertion device, as shown and described.

**DESCRIPTION**

FIG. 1 is a rear upper perspective view of a first embodiment of an over-the-needle catheter insertion device of the present disclosure showing our new design;

FIG. 2 is a front upper perspective view thereof;

FIG. 3 is front lower perspective view thereof;

FIG. 4 is a top view thereof;

FIG. 5 is a first side view thereof;

FIG. 6 is a bottom view thereof;

FIG. 7 is a second side view thereof opposite that shown in FIG. 5;

FIG. 8 is a rear view thereof;

FIG. 9 is a front view thereof;

FIG. 10 is a rear upper perspective view of a second embodiment of an over-the-needle catheter insertion device of the present disclosure showing our new design, with an over-the-needle catheter and a cover being depicted in phantom;

FIG. 11 is a front upper perspective view of the second embodiment;

FIG. 12 is front lower perspective view of the second embodiment;

FIG. 13 is a top view of the second embodiment;

FIG. 14 is a first side view the of the second embodiment;

FIG. 15 is a bottom view of the second embodiment;

FIG. 16 is a second side view thereof opposite that shown in FIG. 14;

FIG. 17 is a rear view of the second embodiment; and,

FIG. 18 is a front view thereof.

The broken lines in the drawings illustrate features that form no part of the claimed design.

**1 Claim, 8 Drawing Sheets**

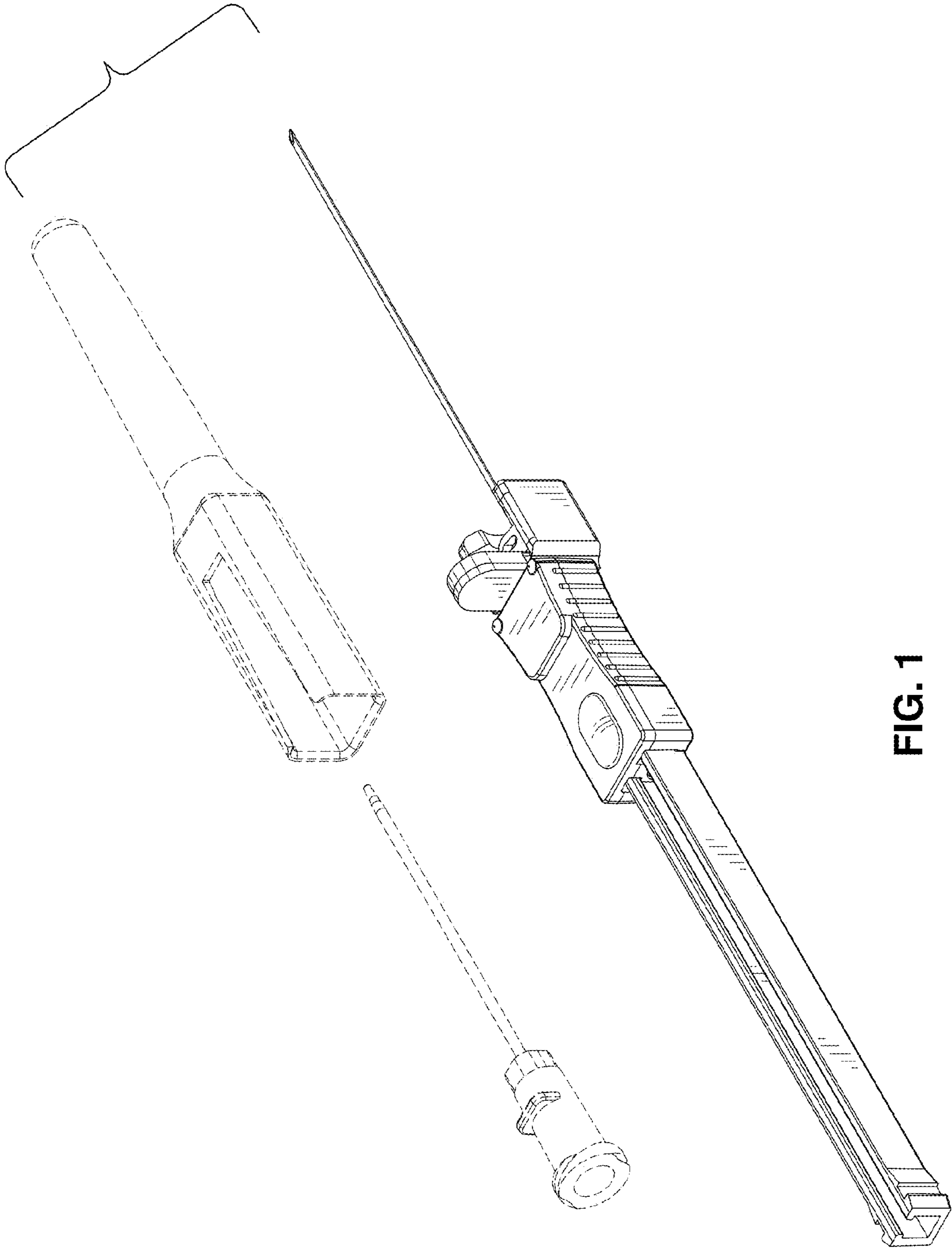


FIG. 1

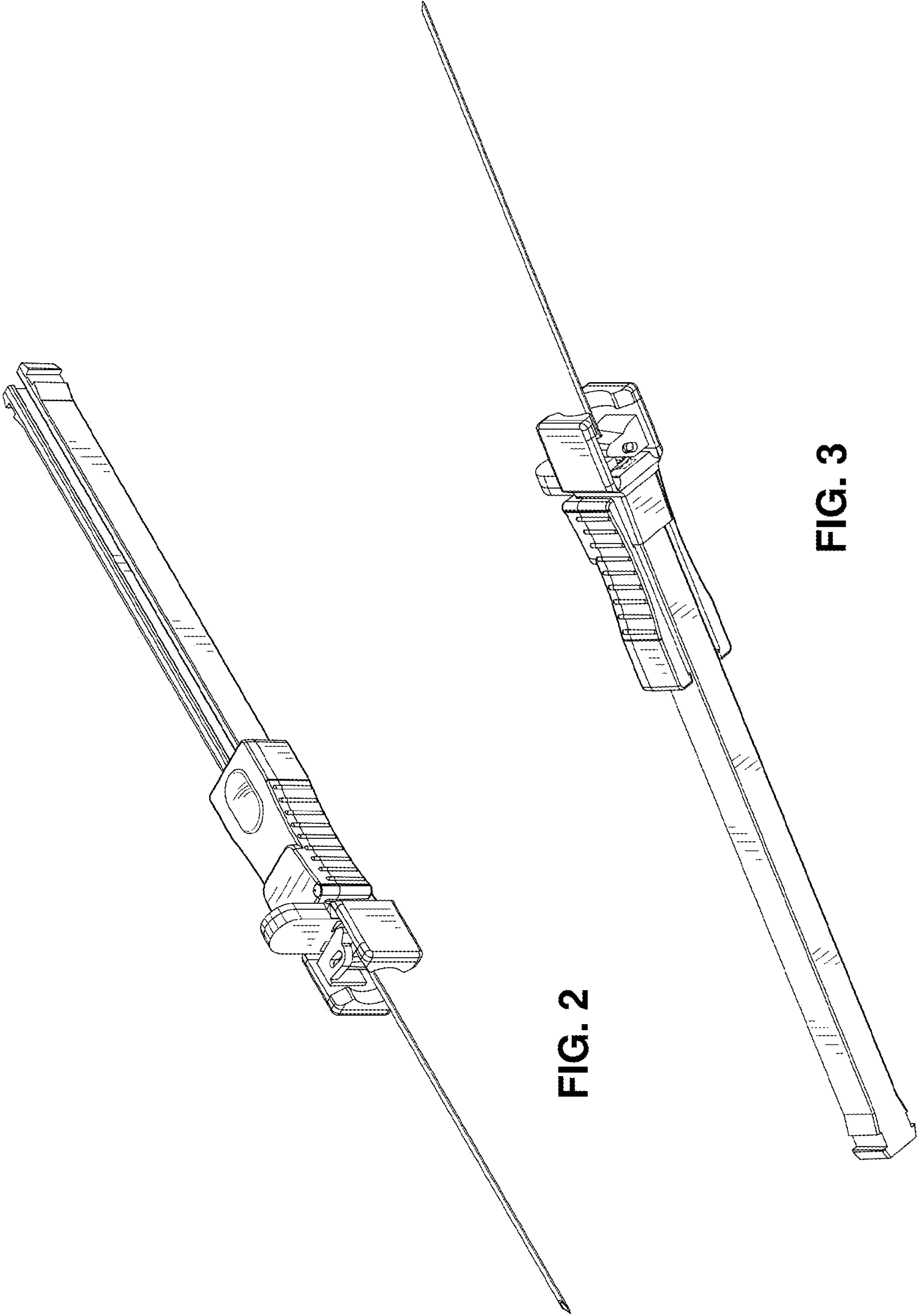


FIG. 2

FIG. 3

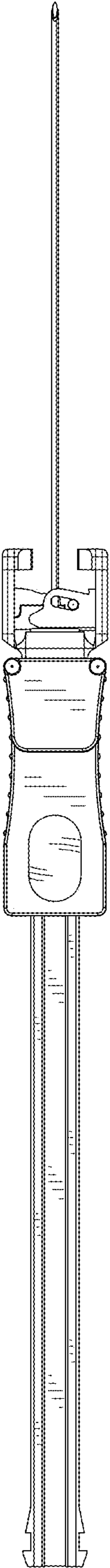


FIG. 4

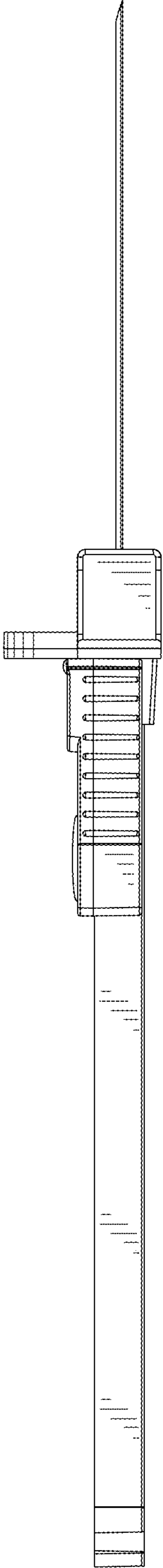


FIG. 5

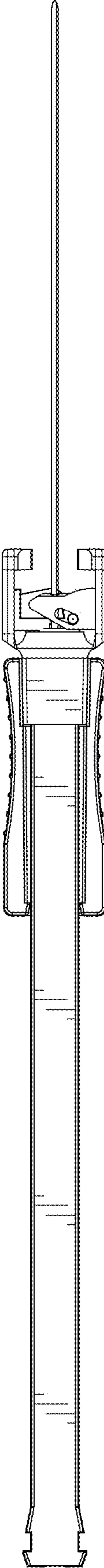


FIG. 6

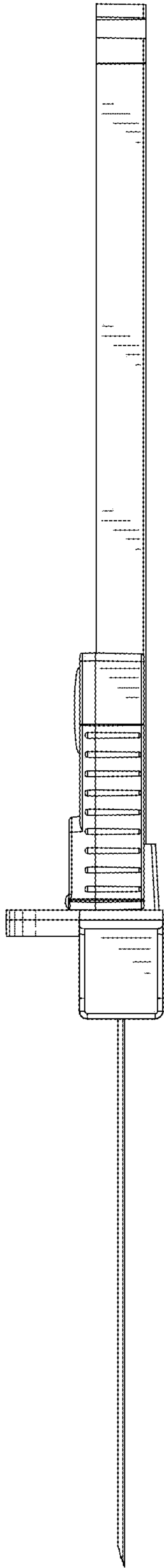


FIG. 7

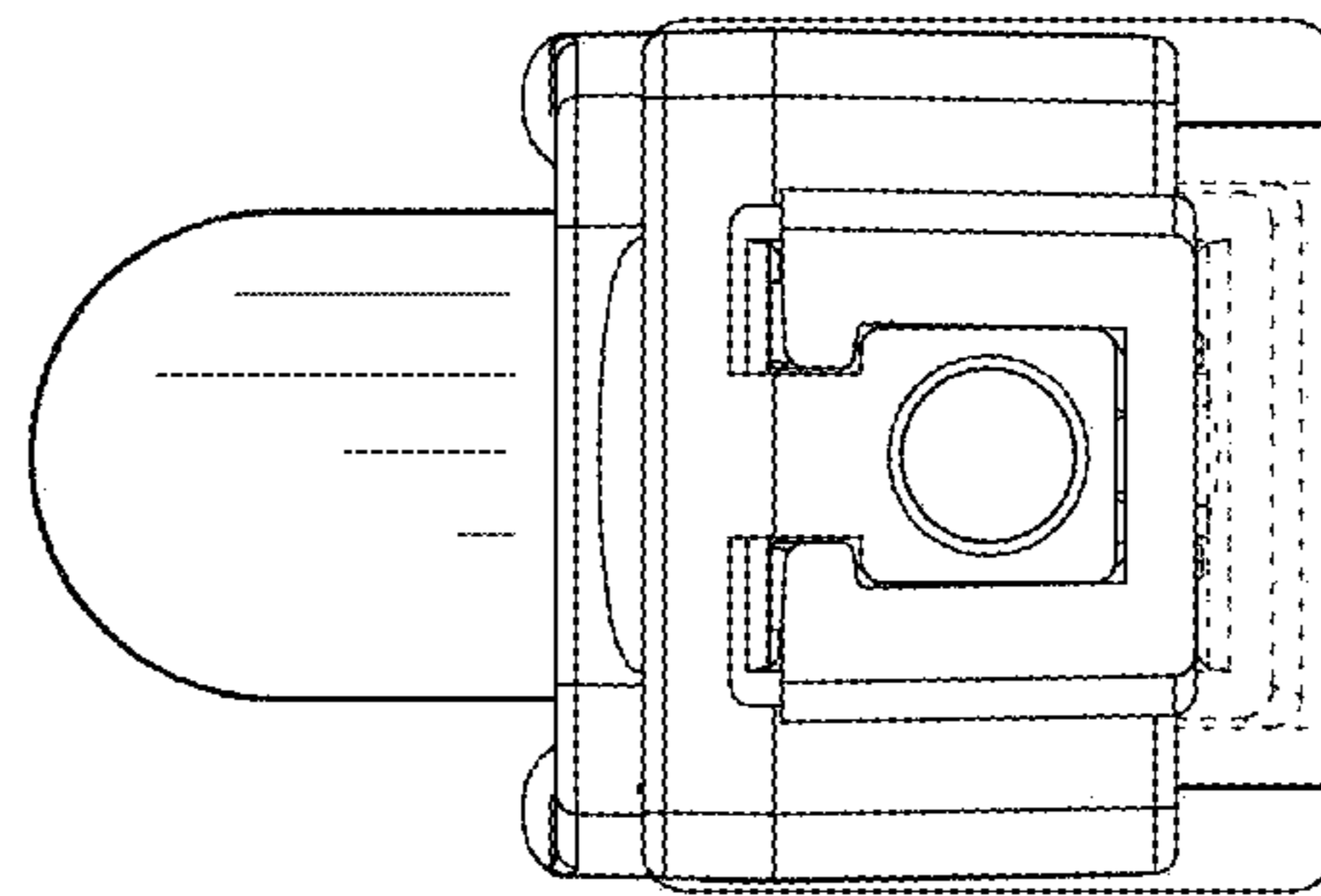


FIG. 8

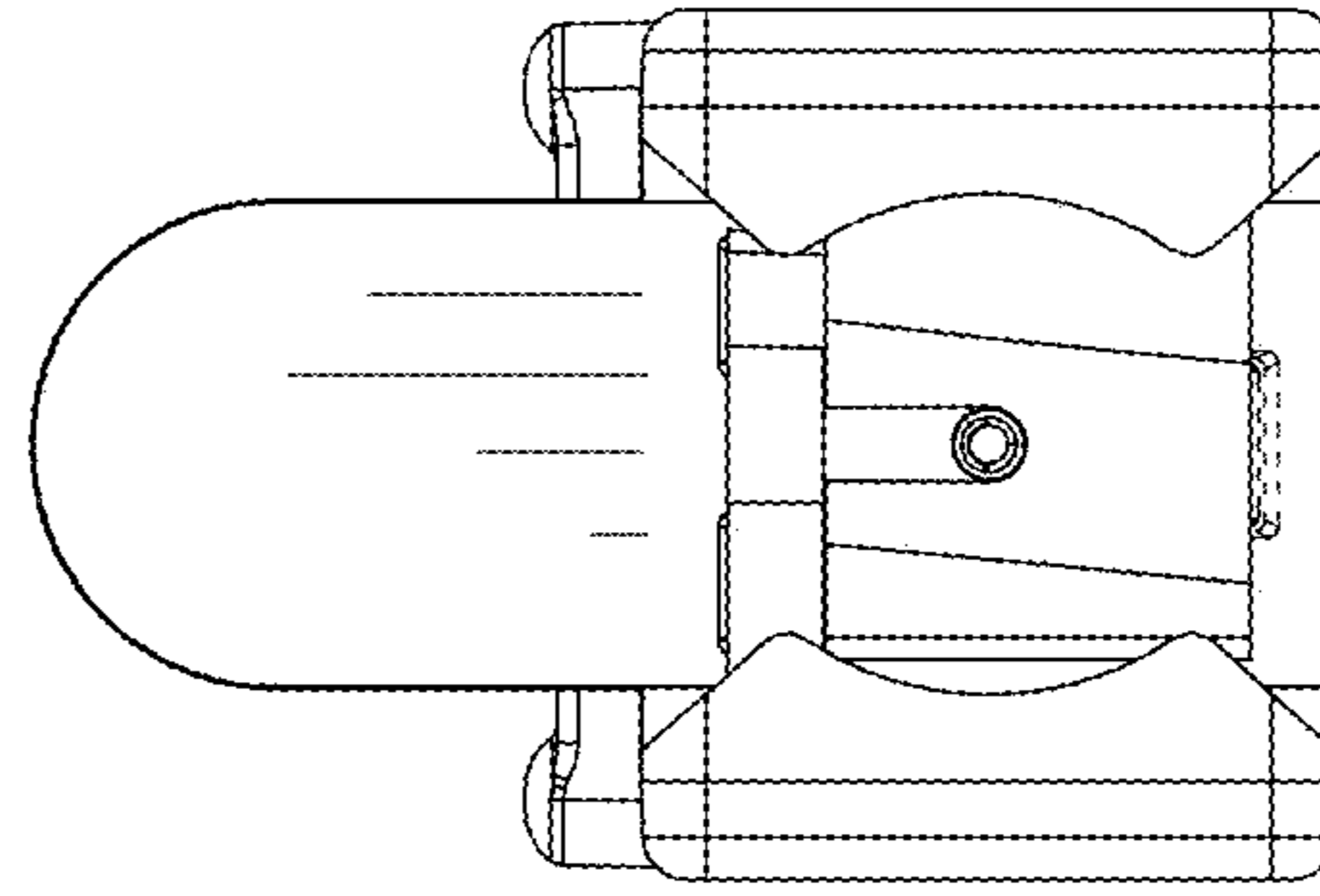


FIG. 9

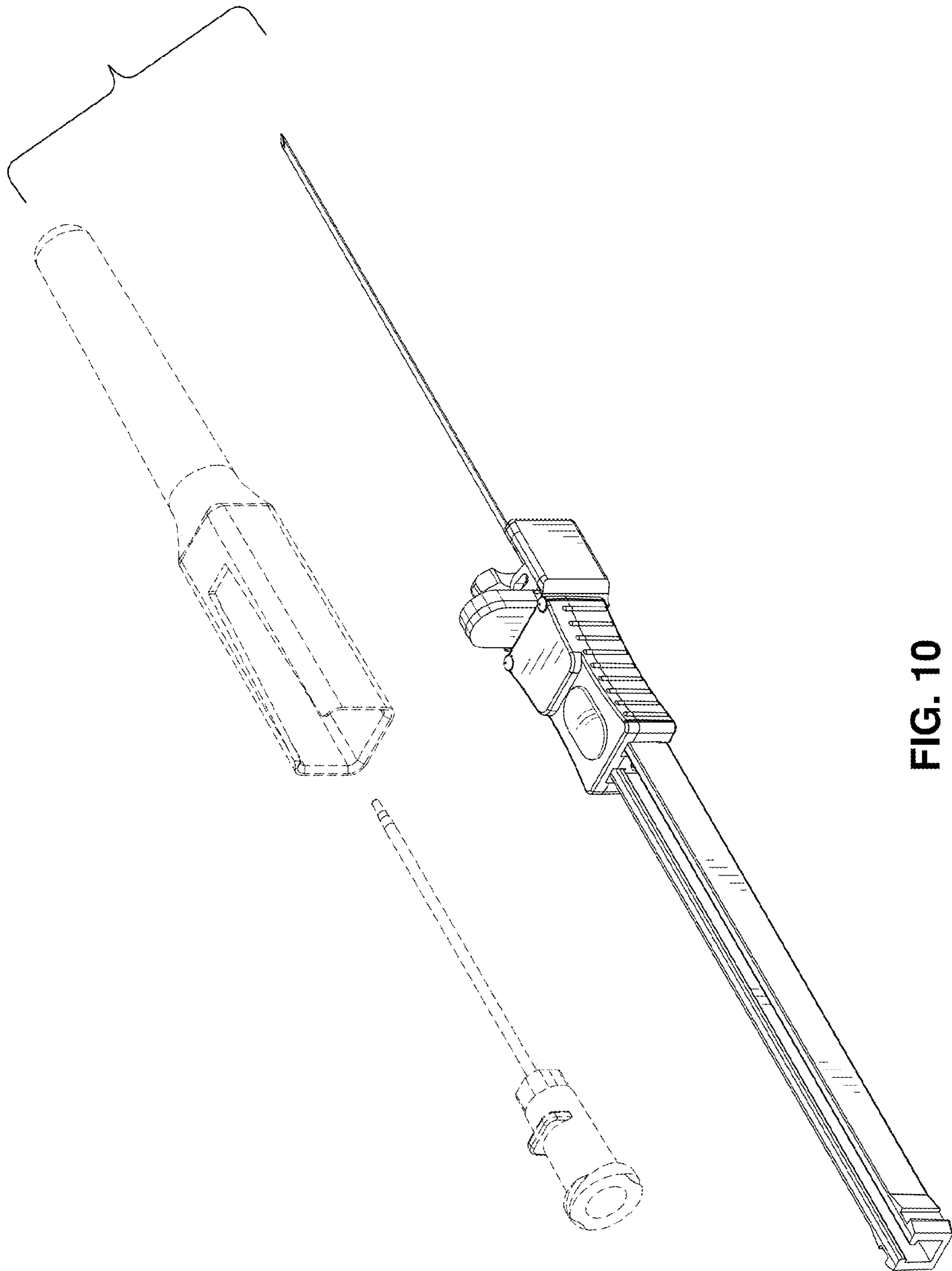


FIG. 10

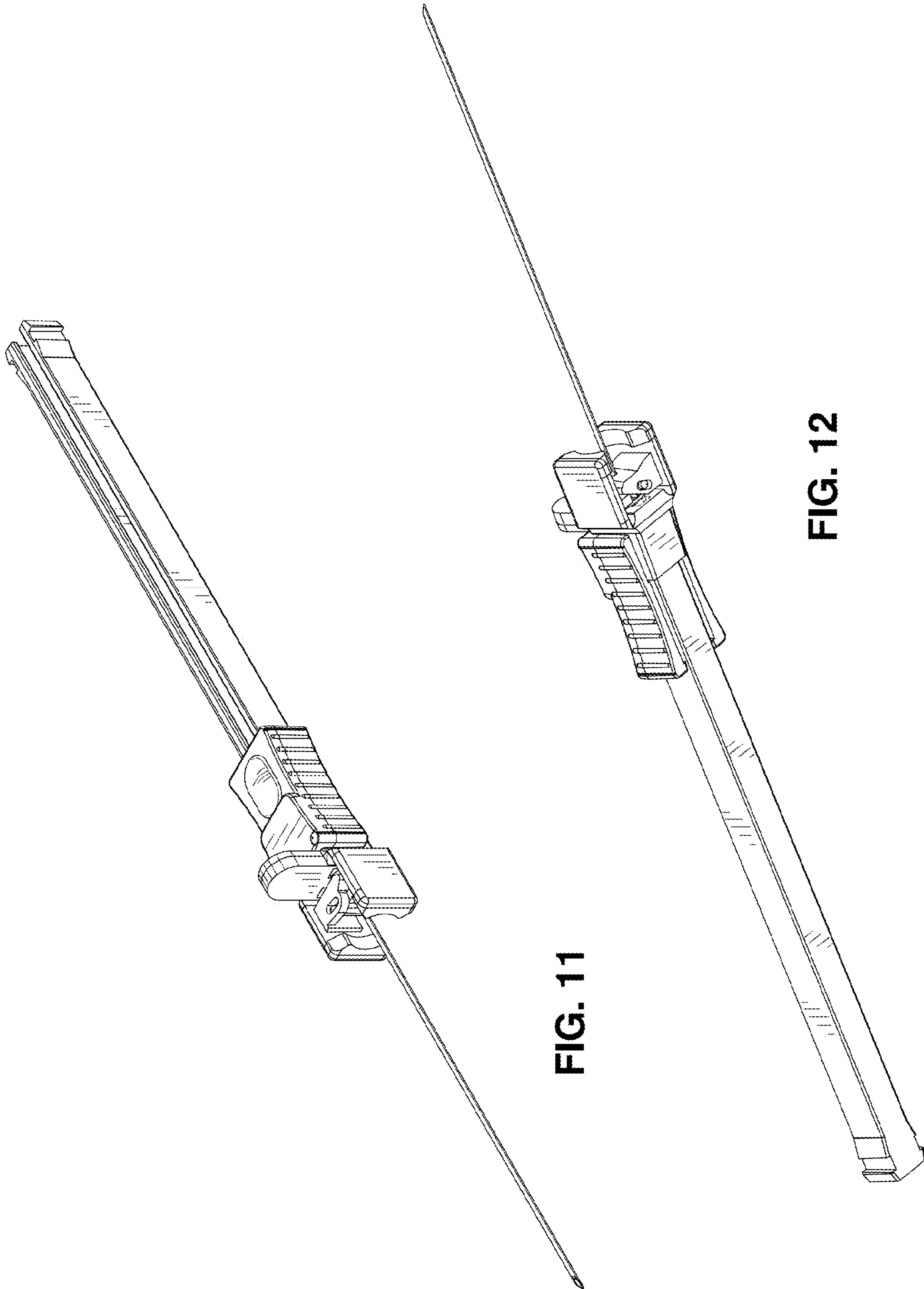


FIG. 11

FIG. 12



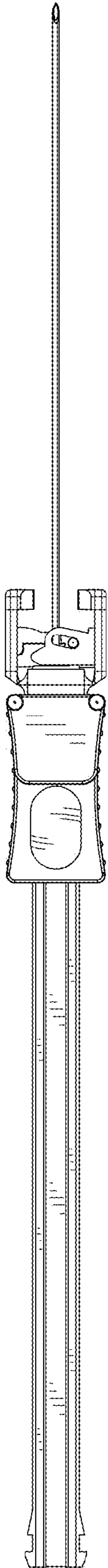


FIG. 13

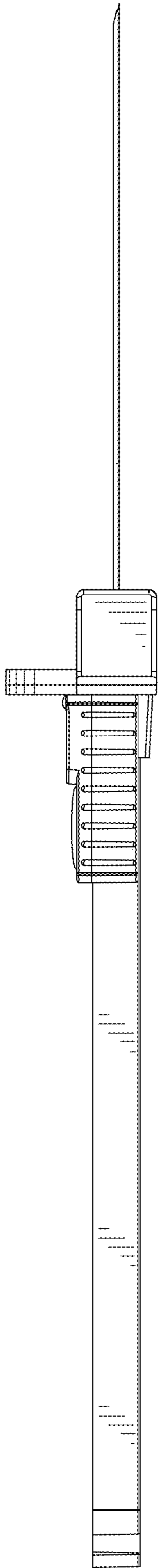


FIG. 14

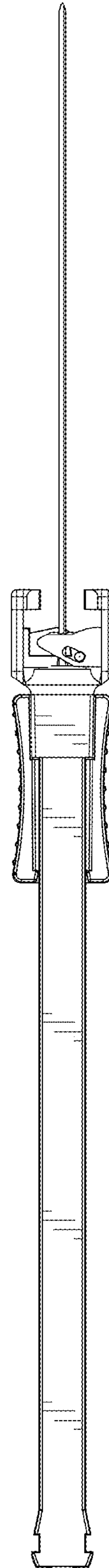


FIG. 15

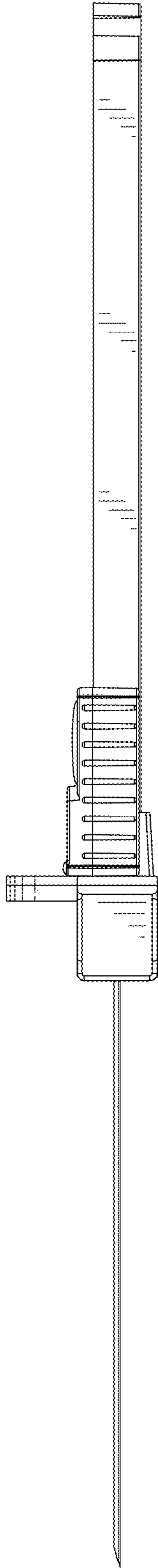


FIG. 16

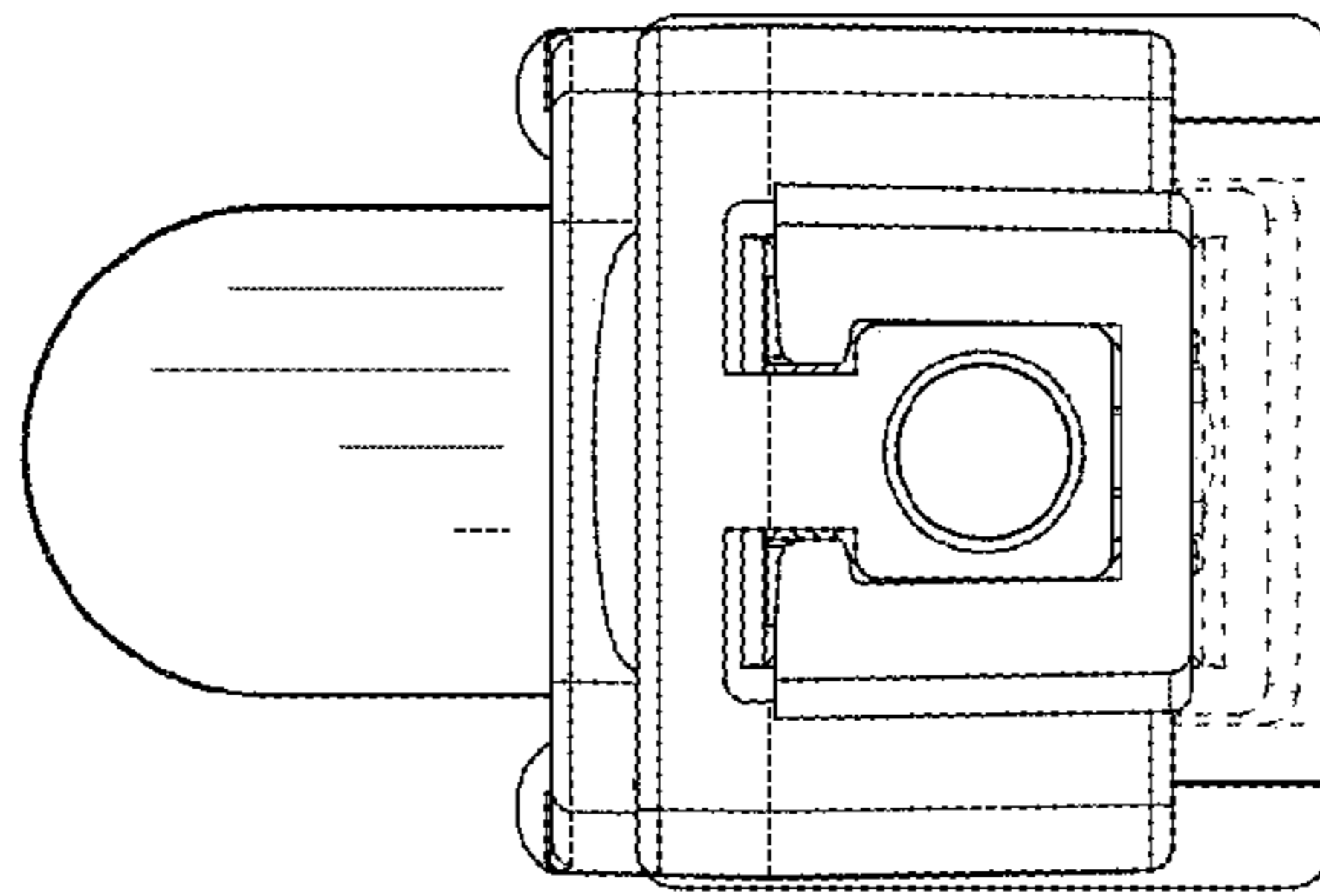


FIG. 17

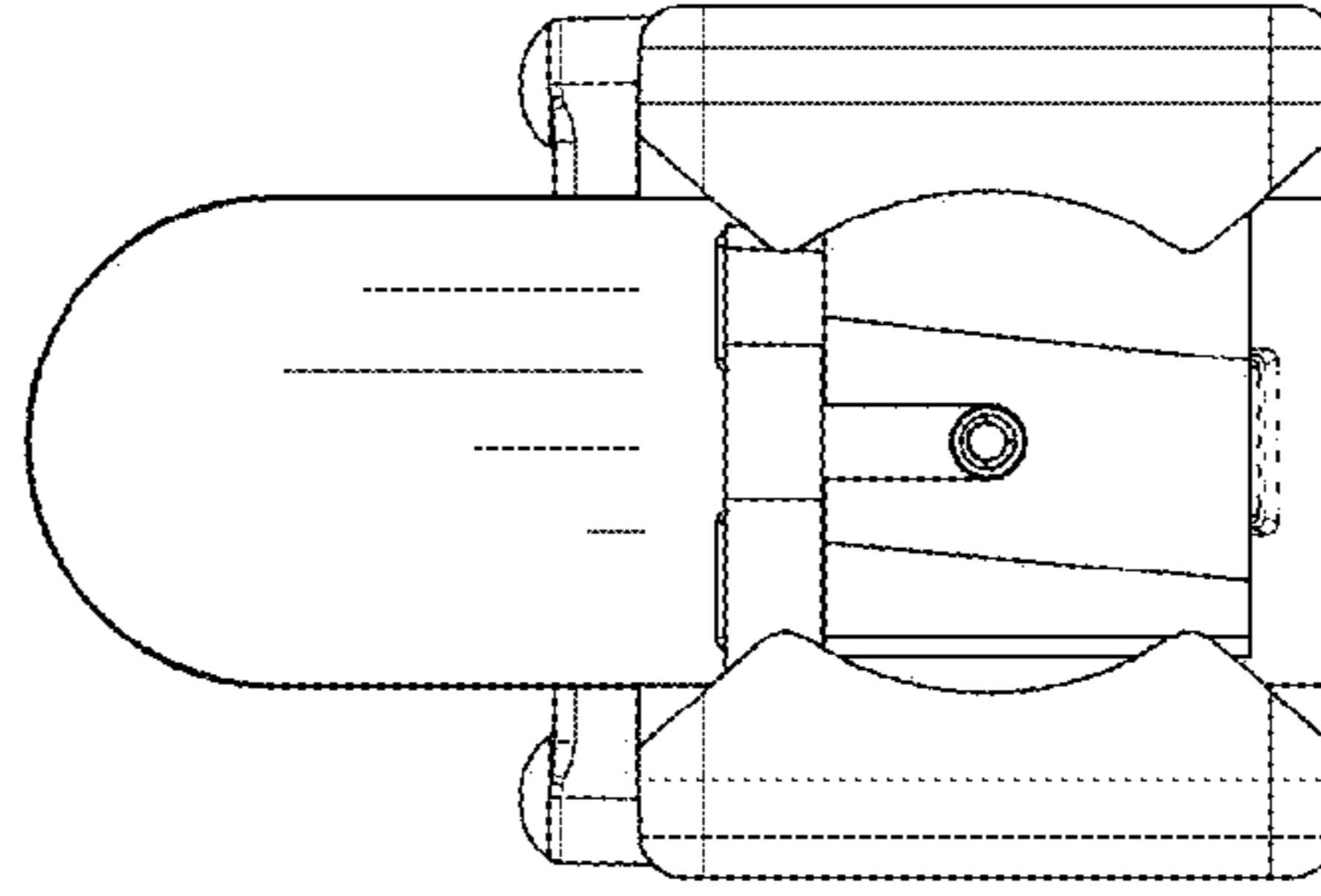


FIG. 18