



US00D979745S

(12) **United States Design Patent**
Jiang

(10) **Patent No.:** **US D979,745 S**

(45) **Date of Patent:** **** Feb. 28, 2023**

(54) **DENTAL IRRIGATOR**

(71) Applicant: **Shenzhen Jieweier Technology Co., Ltd.**, Shenzhen (CN)

(72) Inventor: **Hao Jiang**, Shenzhen (CN)

(73) Assignee: **Shenzhen Jieweier Technology Co., Ltd.**, Shenzhen (CN)

(**) Term: **15 Years**

(21) Appl. No.: **29/845,106**

(22) Filed: **Jul. 5, 2022**

(51) **LOC (14) Cl.** **24-02**

(52) **U.S. Cl.**

USPC **D24/111**

(58) **Field of Classification Search**

USPC D4/100, 101, 102, 110, 111, 136, 138,
D4/199; D24/108, 111–115, 117, 152,
D24/176, 231

CPC ... A61C 17/00; A61C 17/005; A61C 17/0092;
A61C 17/02; A61C 17/0202; A61C
17/0205; A61C 17/0211; A61C 17/028;
A61C 17/16; A61C 17/22; A61C 17/222;
A61C 17/225; A61C 17/227; A61C
17/28; A61C 17/32; A61C 17/34; A61C
17/36; A61C 15/046; A61C 15/047; A61C
15/048

See application file for complete search history.

(56) **References Cited**

U.S. PATENT DOCUMENTS

D196,168 S * 9/1963 Carlson D4/101
D316,033 S * 4/1991 Czech D9/686

D413,975 S * 9/1999 Maeda D24/176
D460,694 S * 7/2002 Llusca D9/549
D625,406 S * 10/2010 Seki D24/111
D865,160 S * 10/2019 Yan D24/111
D865,944 S * 11/2019 Yan D24/111
D909,568 S * 2/2021 Xia D24/111
D932,005 S * 9/2021 Li D24/111
D933,201 S * 10/2021 Zhou
D937,583 S * 12/2021 Lin D4/116
D947,368 S * 3/2022 Yuan D24/111
D953,521 S * 5/2022 Zhou D24/111
2022/0151753 A1 * 5/2022 Zhou A61C 17/0205

* cited by examiner

Primary Examiner — Richard Kearney

Assistant Examiner — Michael Hoffman

(74) *Attorney, Agent, or Firm* — Nitin Kaushik

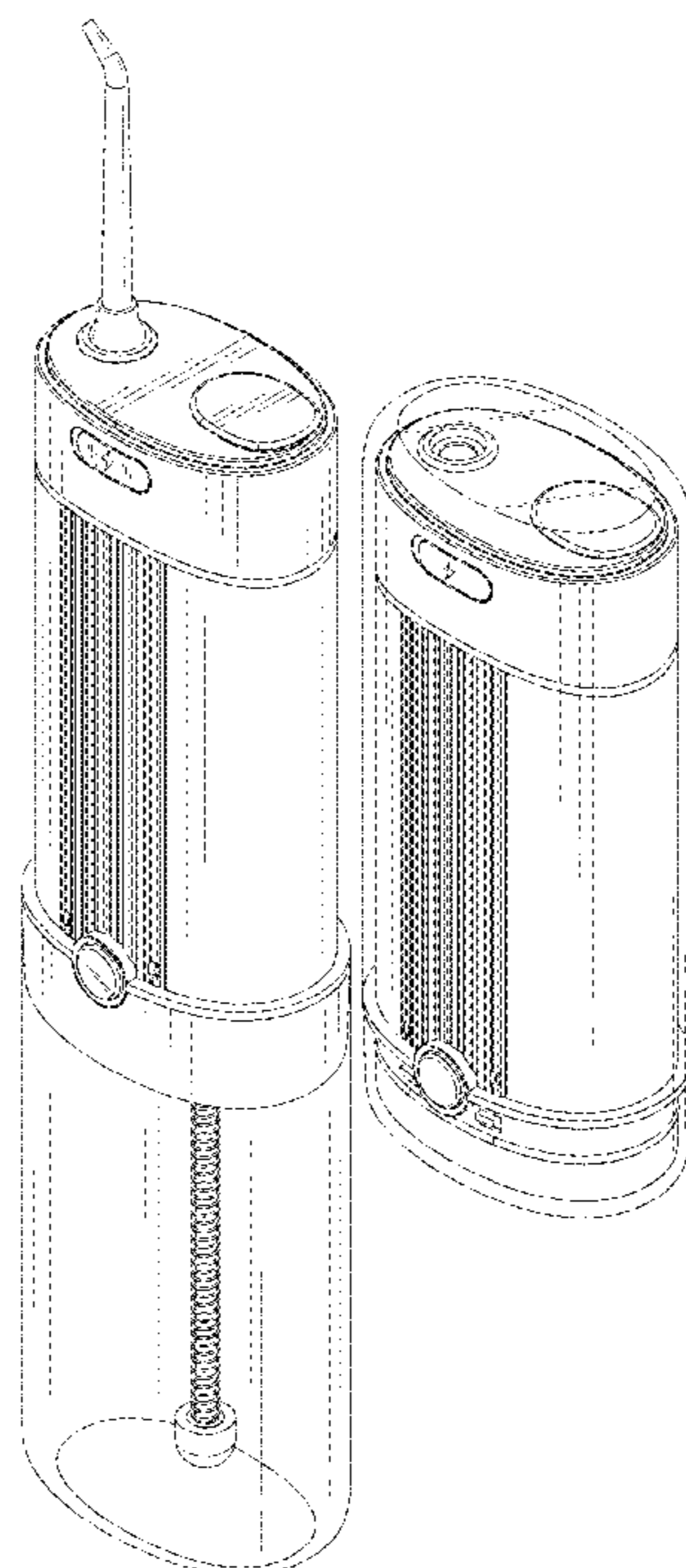
(57) **CLAIM**

The ornamental design for a dental irrigator, as shown and described.

DESCRIPTION

FIG. 1 is a front perspective view of a dental irrigator, showing my new design;
FIG. 2 is a another perspective view thereof, showing the dental irrigator in a storage state;
FIG. 3 is a front view thereof;
FIG. 4 is a rear view thereof;
FIG. 5 is a left side view thereof;
FIG. 6 is a right side view thereof;
FIG. 7 is a top view thereof; and,
FIG. 8 is a bottom view thereof.

1 Claim, 8 Drawing Sheets



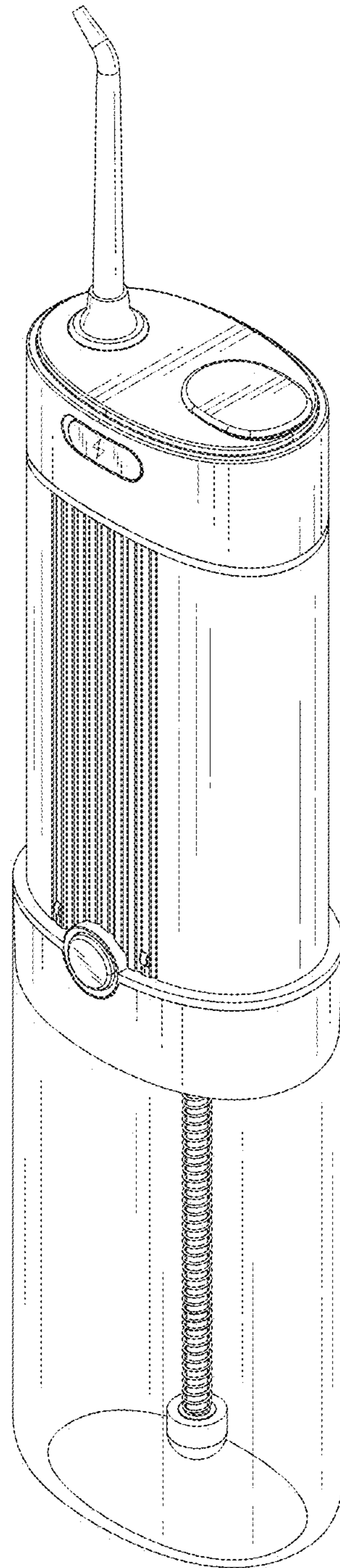


FIG. 1

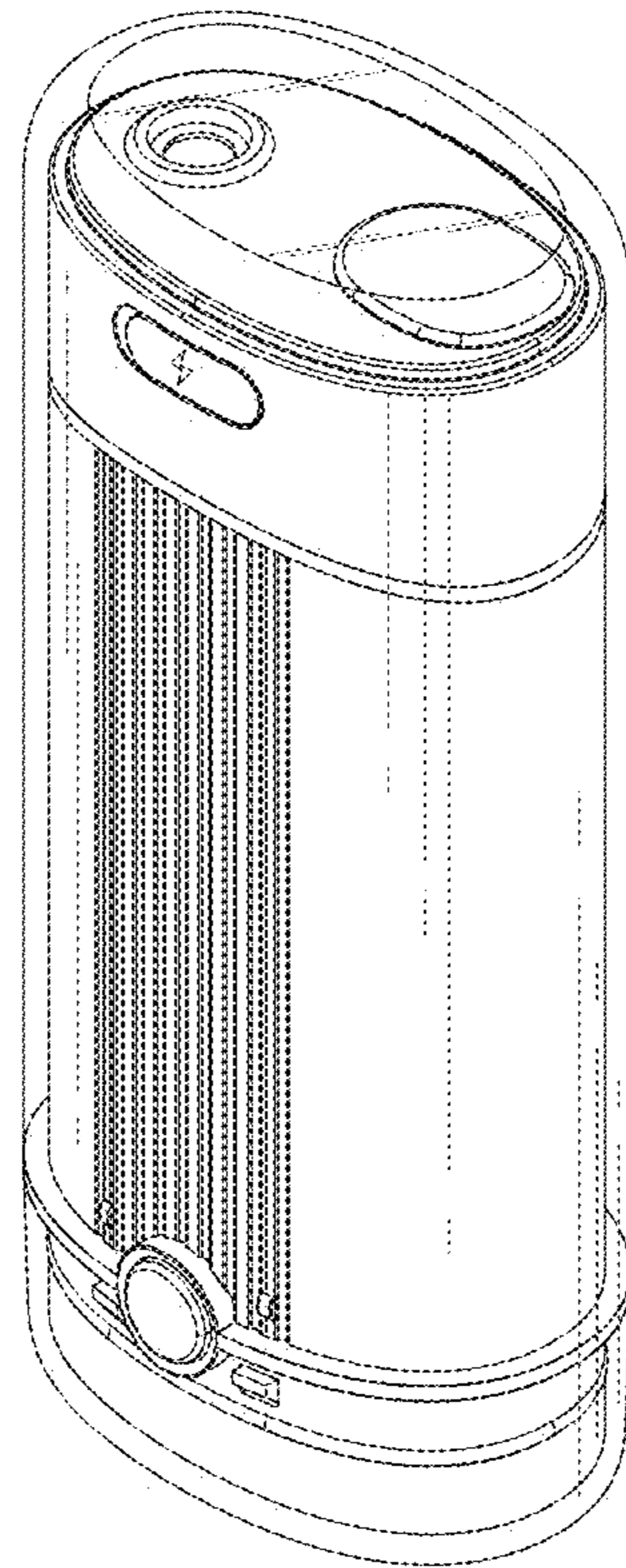


FIG. 2

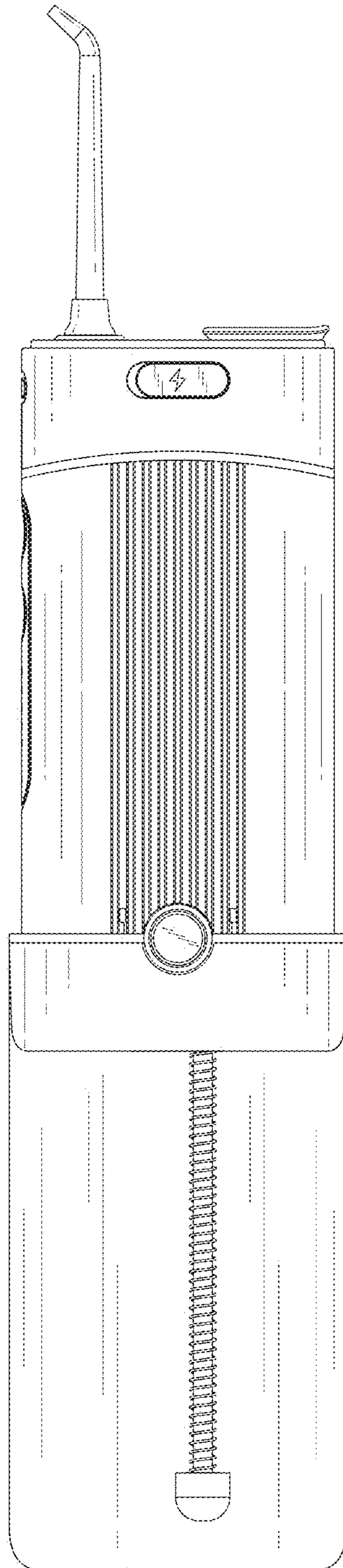


FIG. 3

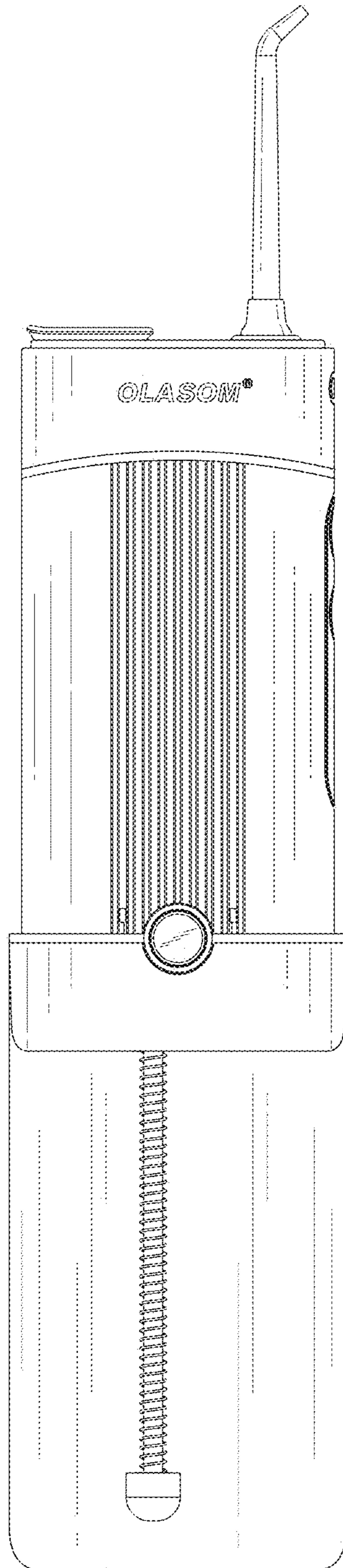


FIG. 4

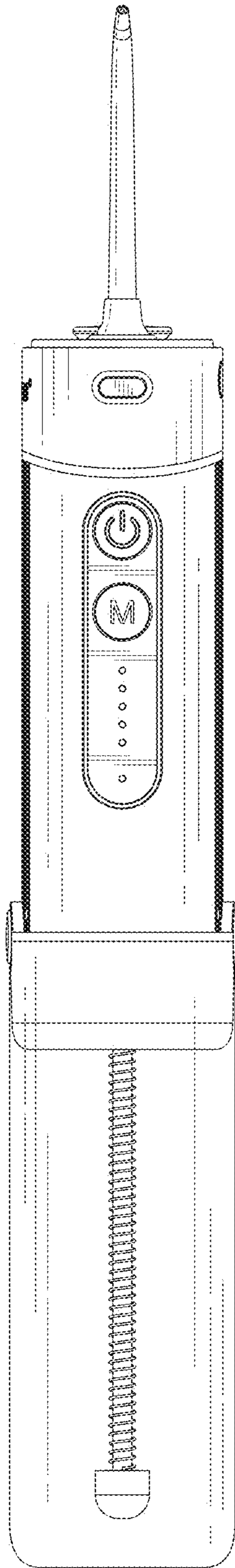


FIG. 5

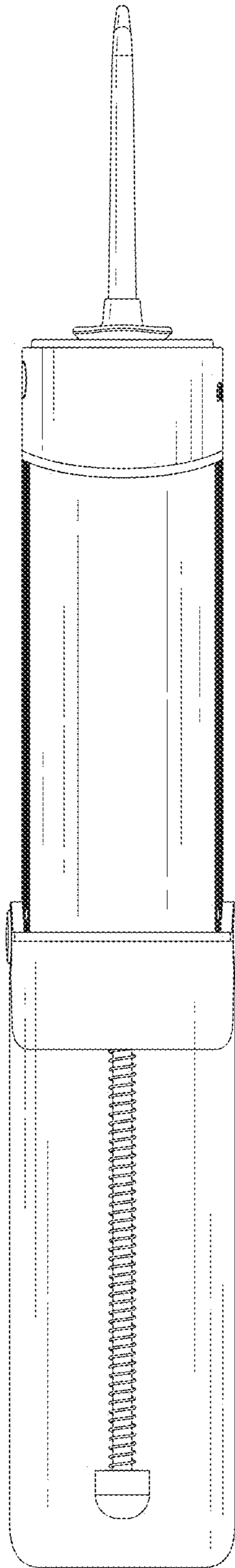


FIG. 6

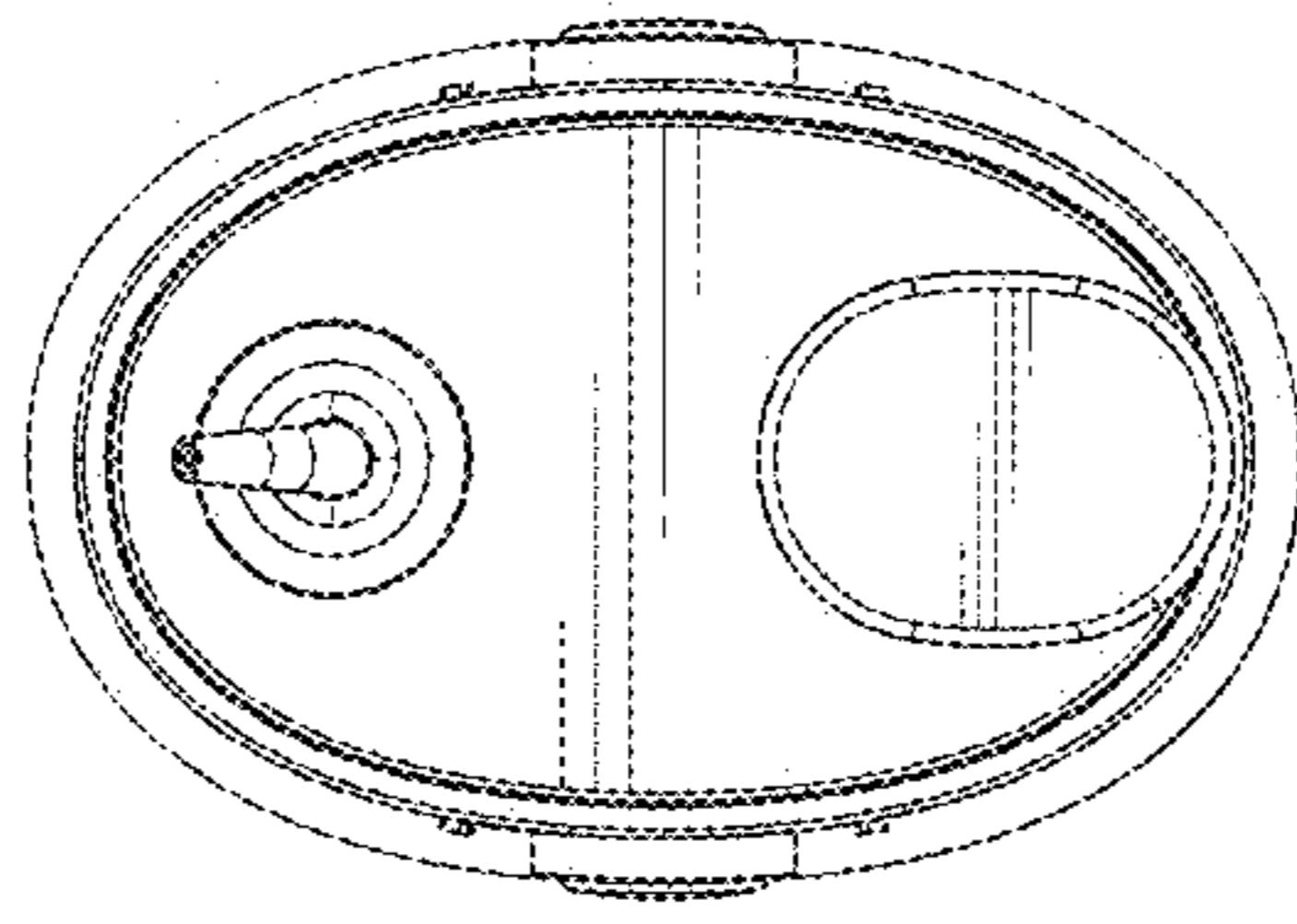


FIG. 7

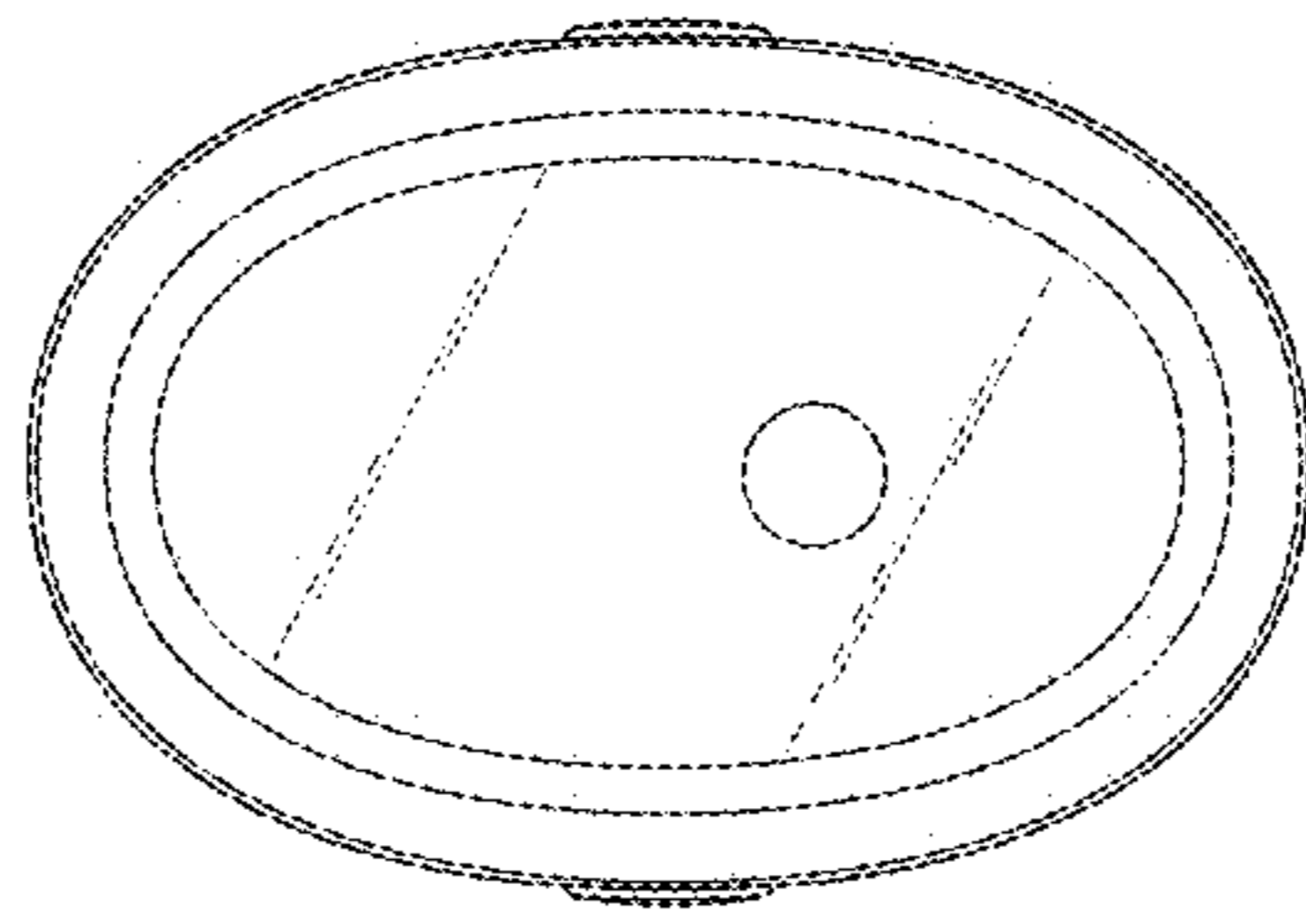


FIG. 8