



US00D979742S

(12) **United States Design Patent**
Stuart

(10) **Patent No.:** **US D979,742 S**
(45) **Date of Patent:** **** Feb. 28, 2023**

(54) **INHALER**
(71) Applicant: **Merxin Ltd**, King's Lynn (GB)
(72) Inventor: **Adam Stuart**, King's Lynn (GB)
(**) Term: **15 Years**
(21) Appl. No.: **35/511,758**
(22) Filed: **Apr. 16, 2021**
(80) **Hague Agreement Data**
Int. Filing Date: **Apr. 16, 2021**
Int. Reg. No.: **DM/213873**
Int. Reg. Date: **Apr. 16, 2021**
Int. Reg. Pub. Date: **Apr. 30, 2021**

(30) **Foreign Application Priority Data**
Mar. 24, 2021 (AU) 6126136
(51) **LOC (14) Cl.** **24-02**
(52) **U.S. Cl.**
USPC **D24/110**
CPC **A61M 15/003** (2014.02)
(58) **Field of Classification Search**
USPC D24/108, 110, 110.4–110.6, 111, 112,
D24/129, 164
CPC A61M 15/003; A61M 15/0028; A61M
15/0035; A61M 15/0026; A61M 15/0041
See application file for complete search history.

(56) **References Cited**
U.S. PATENT DOCUMENTS
D447,230 S * 8/2001 Matsugi D24/110
D478,983 S * 8/2003 Whitehall D24/110
D493,220 S * 7/2004 Burge D24/110
D509,296 S * 9/2005 Minshull D24/110
D516,211 S * 2/2006 Minshull D24/110
7,827,989 B2 * 11/2010 Butterworth A61M 15/0073
235/116

7,849,851 B2 * 12/2010 Zierenberg A61M 15/0065
128/200.22
D693,457 S * 11/2013 Mayer D24/110
D757,926 S * 5/2016 Van Sickle D24/110
9,827,384 B2 * 11/2017 Holakovsky G06M 1/24
D808,071 S * 1/2018 Folkerts D27/101
9,943,654 B2 * 4/2018 Herrmann A61M 15/0028
D829,373 S * 9/2018 Huang D27/101
D830,540 S * 10/2018 Rolfs D24/114
D834,704 S * 11/2018 Atkin D24/110
D840,020 S * 2/2019 Howgill D24/110
D846,796 S * 4/2019 Pan D27/101
D853,633 S * 7/2019 Zeng D27/162
D871,567 S * 12/2019 Pieters D24/110
D872,853 S * 1/2020 Stuart D24/110
D877,322 S * 3/2020 Jackson D24/110
D878,544 S * 3/2020 Stuart D24/110
10,588,357 B2 * 3/2020 Hawes H05B 1/0297
D891,608 S * 7/2020 Tibbatts D24/110
D929,565 S * 8/2021 Castellucci D24/110
D933,197 S * 10/2021 Ogihara D24/110
D946,138 S * 3/2022 Markey D24/110
D949,323 S * 4/2022 Dalvi D24/110

(Continued)

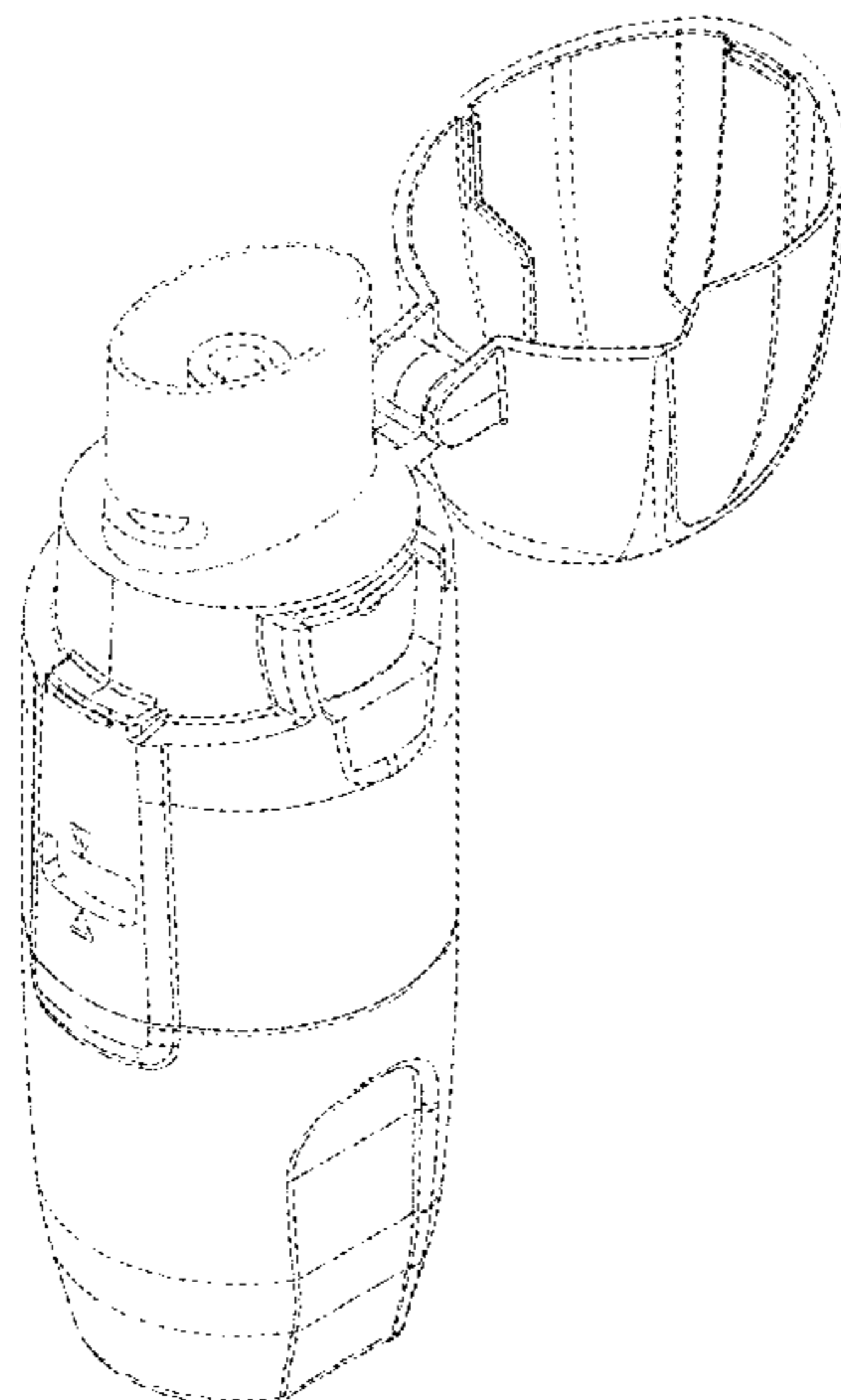
Primary Examiner — Richard E Chilcot
(74) *Attorney, Agent, or Firm* — RC Trademark Company

(57) **CLAIM**
The design for an inhaler, as shown and described.

DESCRIPTION

FIG. 1.1 is a bottom view of an inhaler.
FIG. 1.2 is a left view an inhaler of FIG. 1.
FIG. 1.3 is an isometric view of the open inhaler of FIG. 1.
FIG. 1.4 is a front view of an inhaler of FIG. 1.
FIG. 1.5 is a front view of the open inhaler of FIG. 1.
FIG. 1.6 is an isometric view of inhaler of FIG. 1.
FIG. 1.7 is a rear view of inhaler of FIG. 1.
FIG. 1.8 is a right view an inhaler of FIG. 1.
FIG. 1.9 is a top view an inhaler of FIG. 1
In the drawings, the broken lines illustrate portions of inhaler which form no part of the claimed design.

1 Claim, 9 Drawing Sheets



(56)

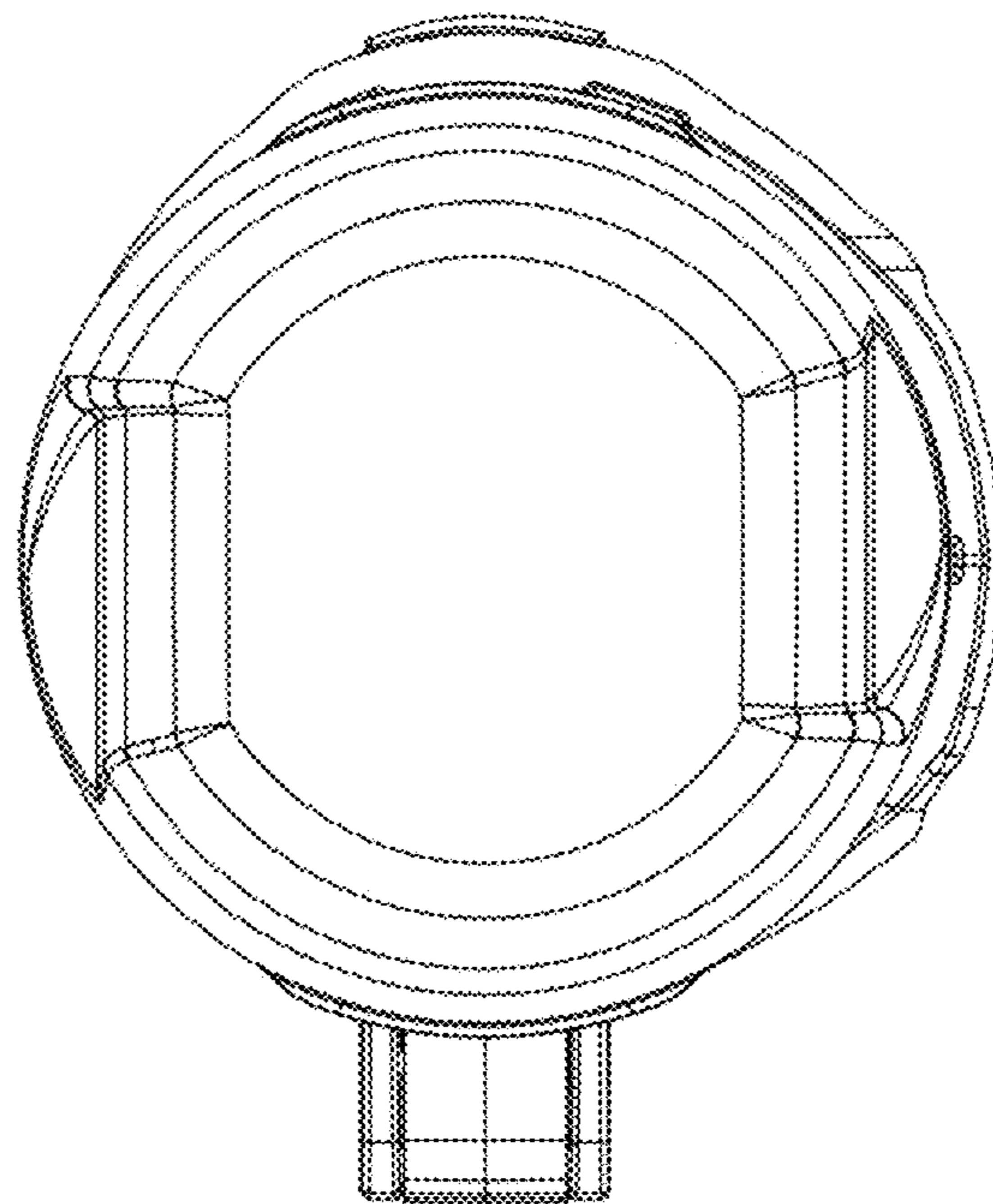
References Cited

U.S. PATENT DOCUMENTS

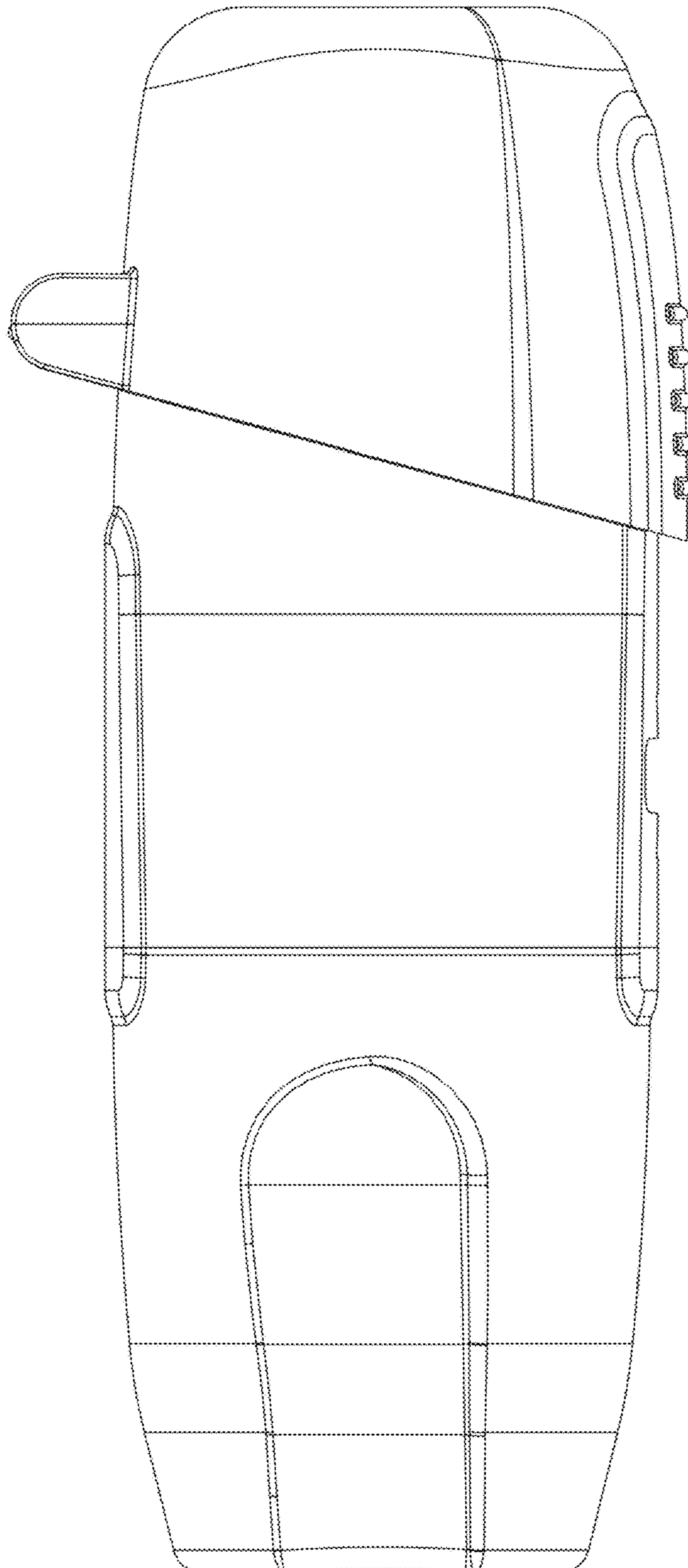
2013/0125880 A1* 5/2013 Holakovsky A61M 15/008
128/200.21
2020/0384218 A1* 12/2020 Purkins A61M 15/003

* cited by examiner

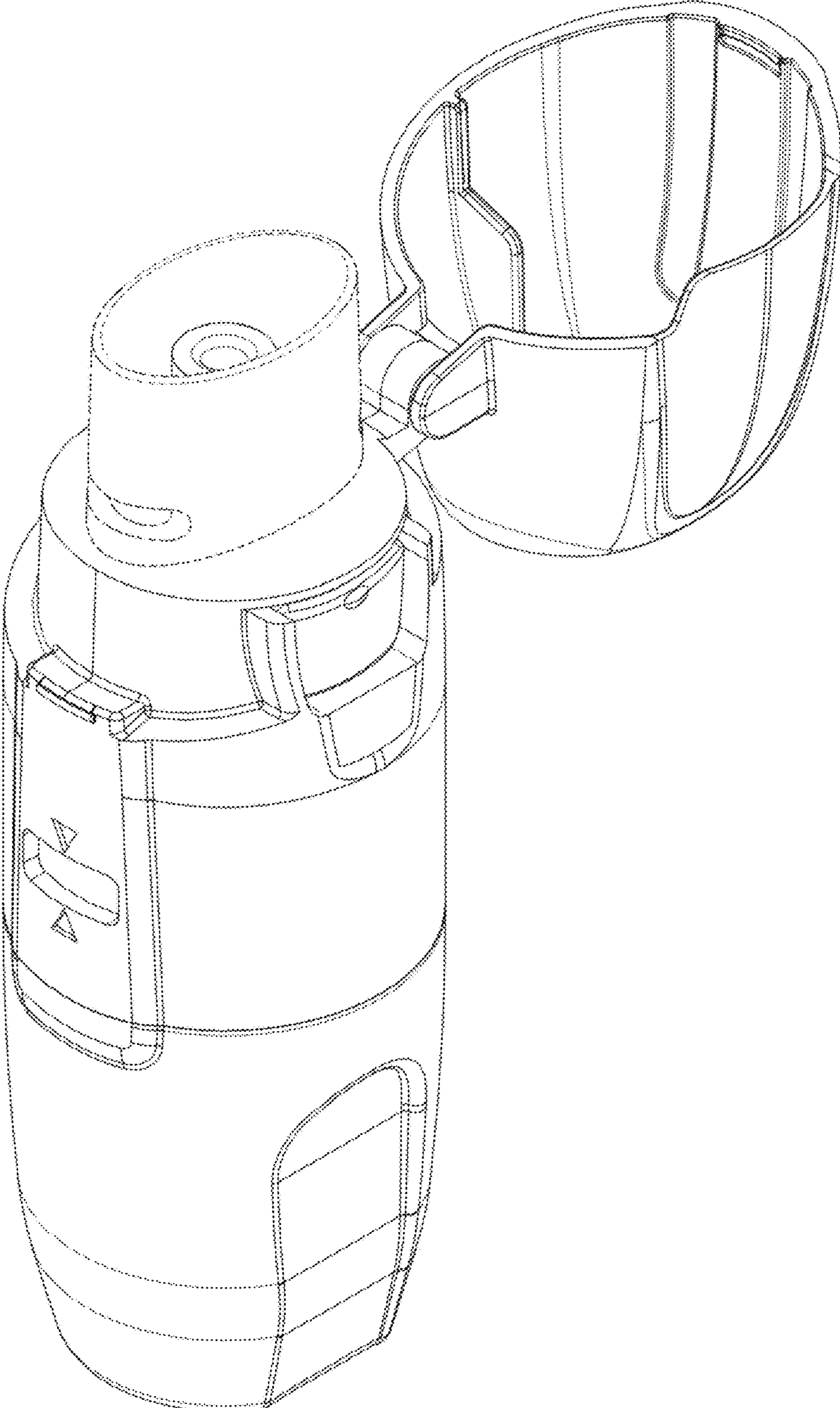
1.1



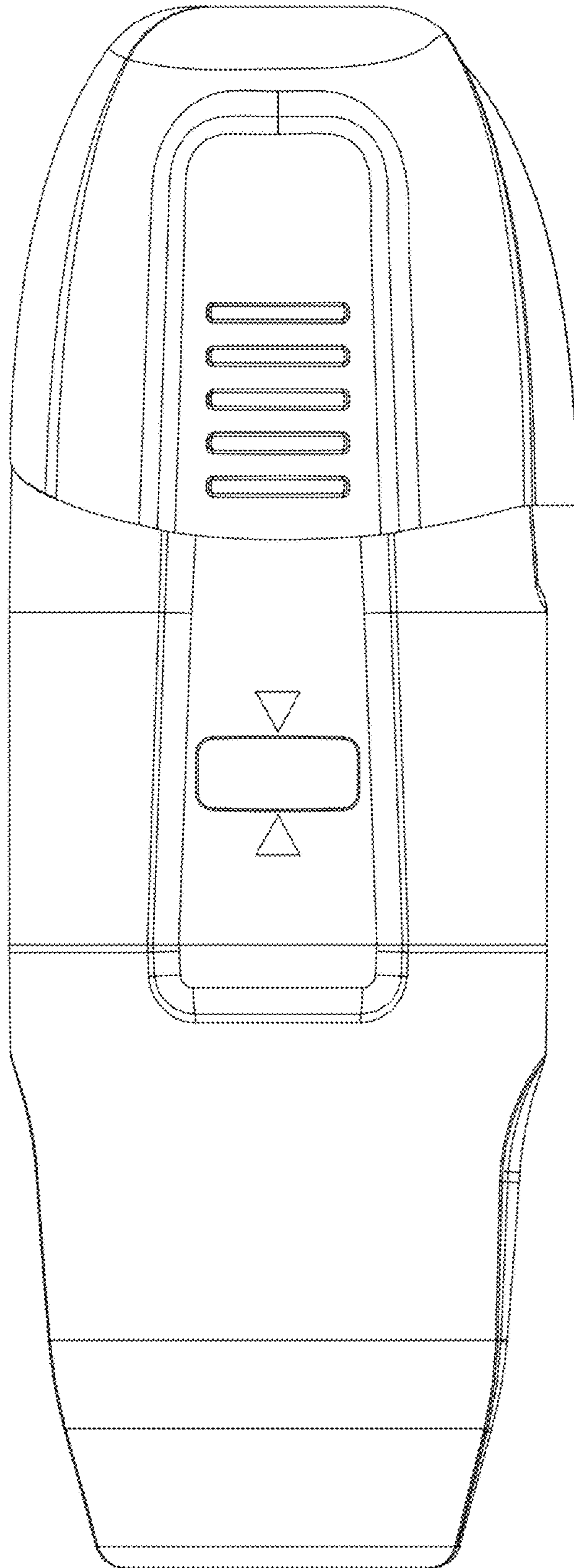
1.2



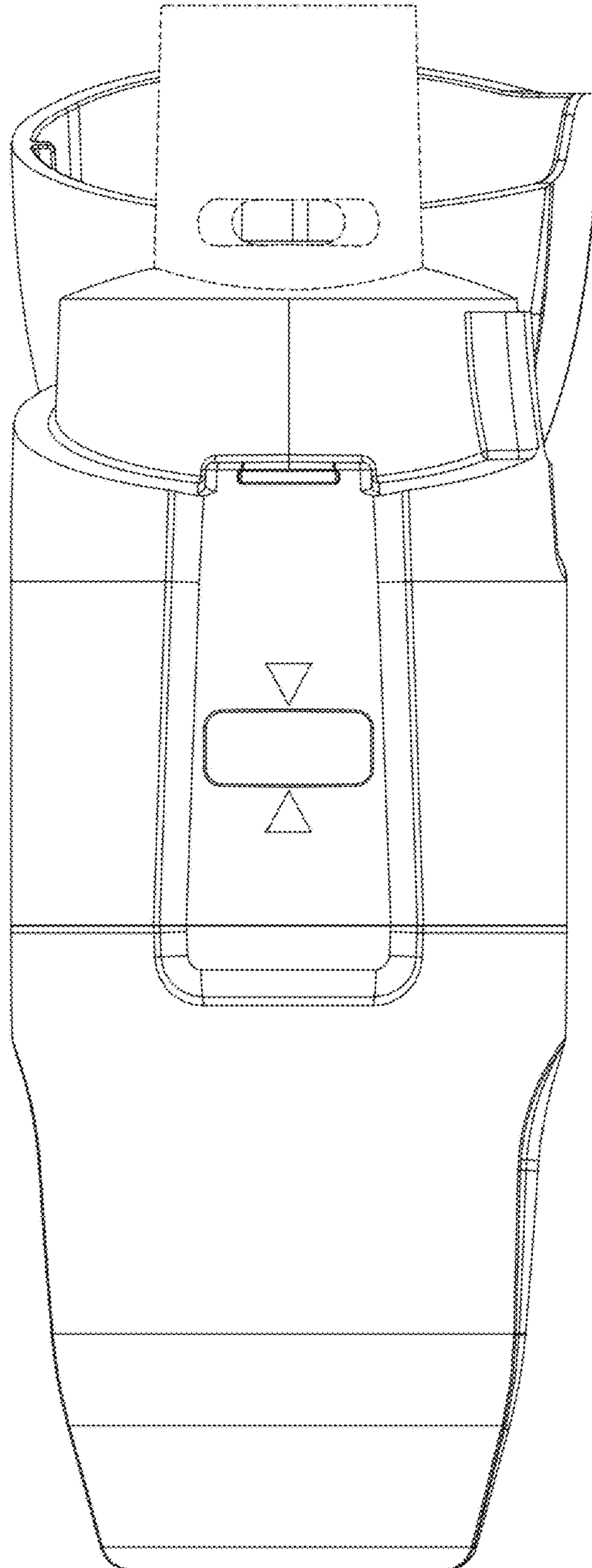
1.3



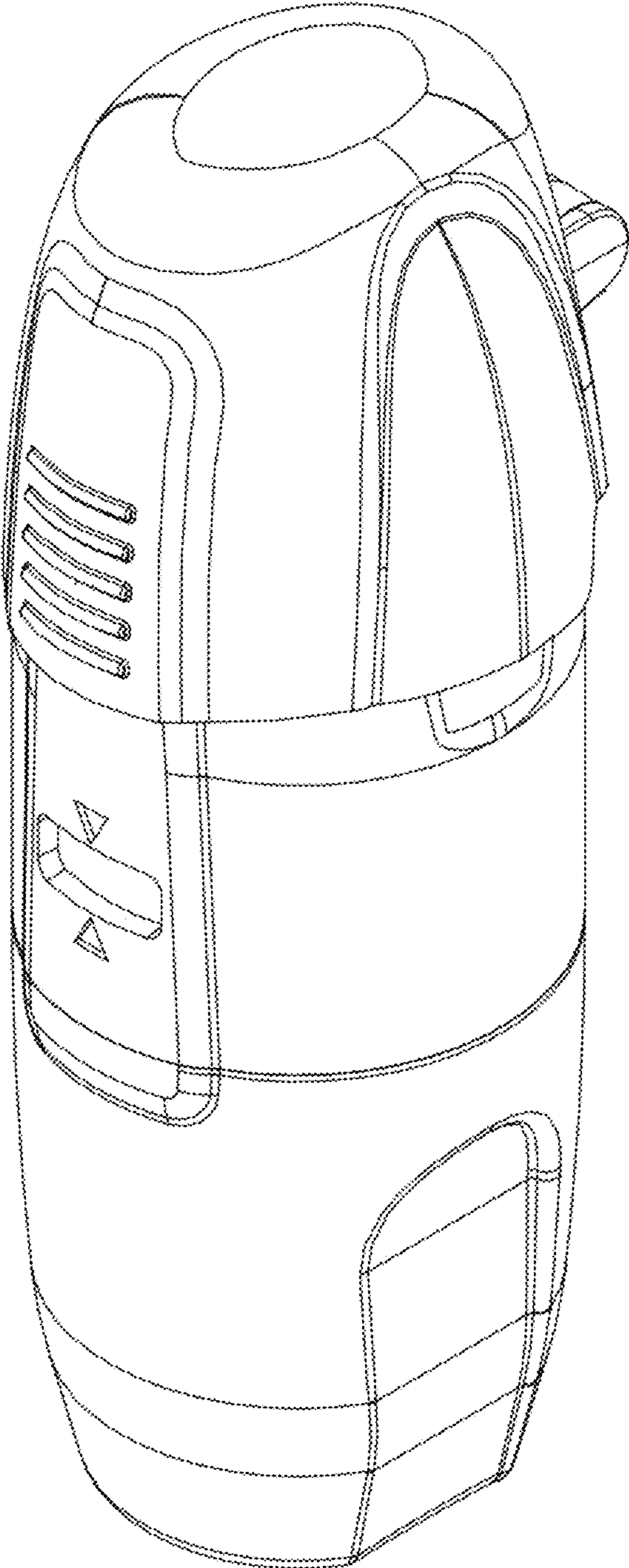
1.4



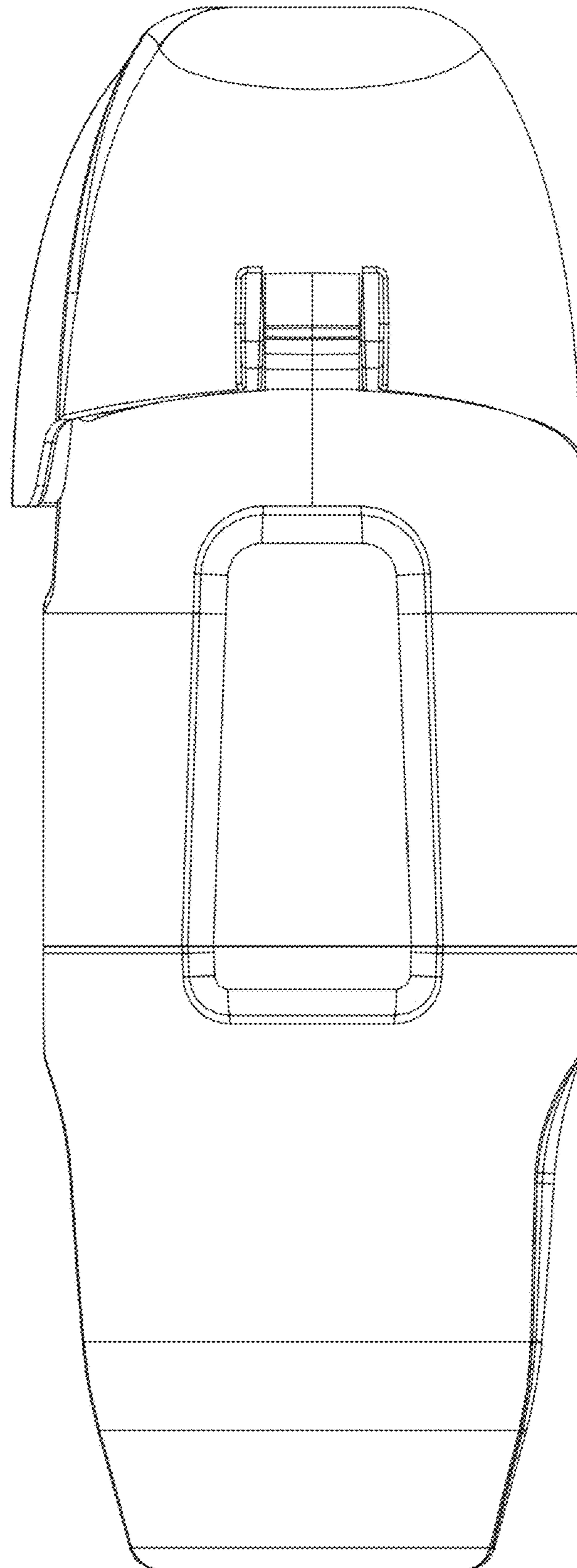
1.5



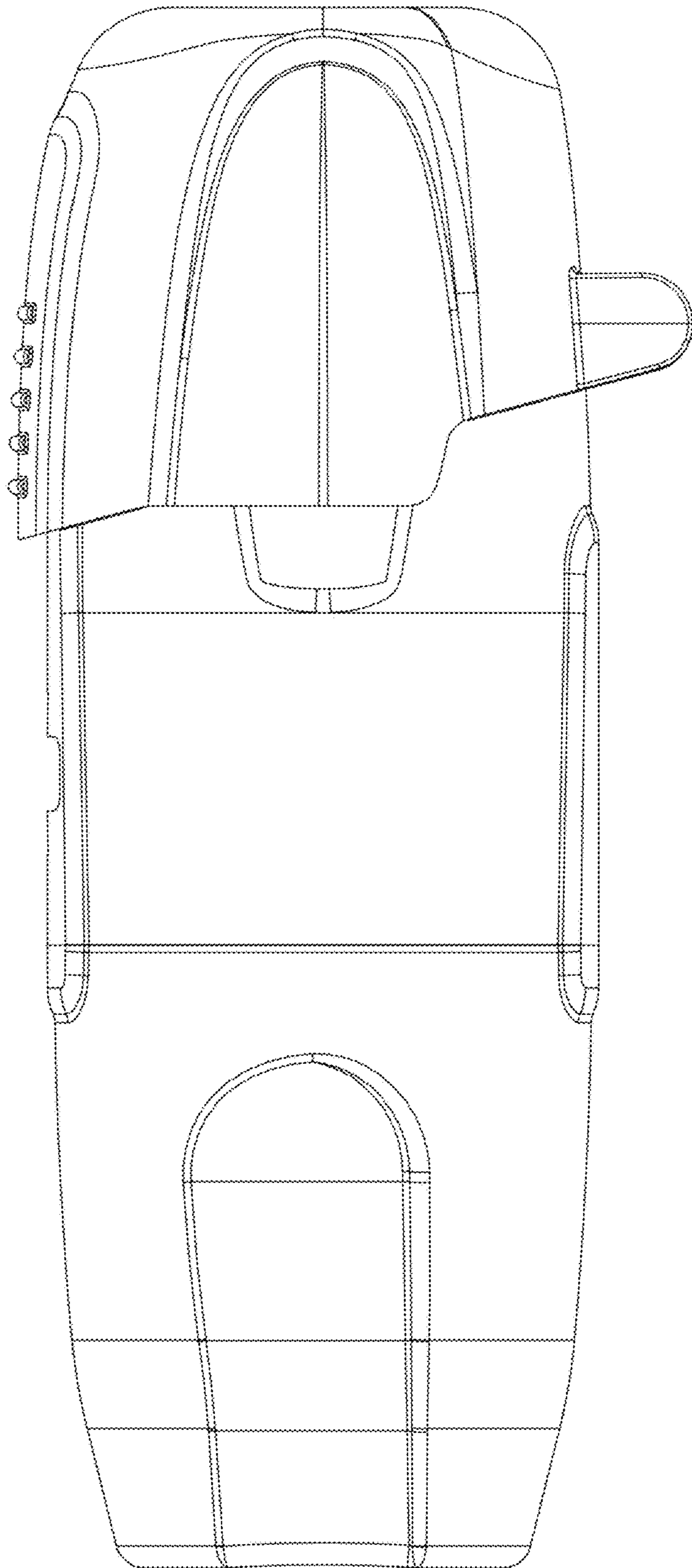
1.6



1.7



1.8



1.9

