



US00D979741S

(12) **United States Design Patent**
Hirasawa et al.

(10) **Patent No.:** **US D979,741 S**
(45) **Date of Patent:** **** Feb. 28, 2023**

(54) **NEBULIZER COMPRESSOR**

- (71) Applicant: **OMRON HEALTHCARE Co., Ltd.**, Muko (JP)
- (72) Inventors: **Asa Hirasawa**, Kyoto (JP); **Tsuyoshi Ogihara**, Kyoto (JP); **Kosuke Inoue**, Kyoto (JP); **Gen Suzuki**, Kamakura (JP); **Kengo Nishiyama**, Kyoto (JP)
- (73) Assignee: **OMRON HEALTHCARE Co., Ltd.**, Kyoto (JP)

(**) Term: **15 Years**

(21) Appl. No.: **29/745,636**

(22) Filed: **Aug. 7, 2020**

(30) **Foreign Application Priority Data**

Feb. 10, 2020 (WO) WIPO89353

(51) **LOC (14) Cl.** **24-01**

(52) **U.S. Cl.**
USPC **D24/110**

(58) **Field of Classification Search**
USPC D24/107, 108, 109, 110, 111, 164, 186;
D7/300.1, 507, 510, 511, 629; D8/331,
(Continued)

(56) **References Cited**

U.S. PATENT DOCUMENTS

- 3,416,687 A * 12/1968 Arnaud B65D 41/42
215/256
- D255,712 S * 7/1980 Chihara D23/356
(Continued)

FOREIGN PATENT DOCUMENTS

- WO D210778-023 * 8/2022
- WO D210778-024 * 8/2022
- WO D210778-026 * 8/2022

OTHER PUBLICATIONS

[OMRON Compressor Nebulizer NE-C105 Nebulizer], ifdesign.com, Posted: 2021 [online], site visited: [Oct. 28, 2022], URL: <https://ifdesign.com/en/winner-ranking/project/omron-compressor-nebulizer-ne-c105/312320>. (Year: 2021).*

(Continued)

Primary Examiner — Jonathan J Han

Assistant Examiner — Amanda J Berlinski

(74) *Attorney, Agent, or Firm* — Capitol City TechLaw

(57) **CLAIM**

The ornamental design for a nebulizer compressor, as shown and described.

DESCRIPTION

FIG. 1 is a front, top, and right side perspective view of a first embodiment of a nebulizer compressor showing our new design;

FIG. 2 is a front view thereof;

FIG. 3 is a rear view thereof

FIG. 4 is a top view thereof;

FIG. 5 is a bottom view thereof;

FIG. 6 is a right side view thereof;

FIG. 7 is a left side view thereof;

FIG. 8 is a front, top, and right side perspective view of a second embodiment of a nebulizer compressor showing our design;

FIG. 9 is a front view thereof;

FIG. 10 is a rear view thereof;

FIG. 11 is a top view thereof;

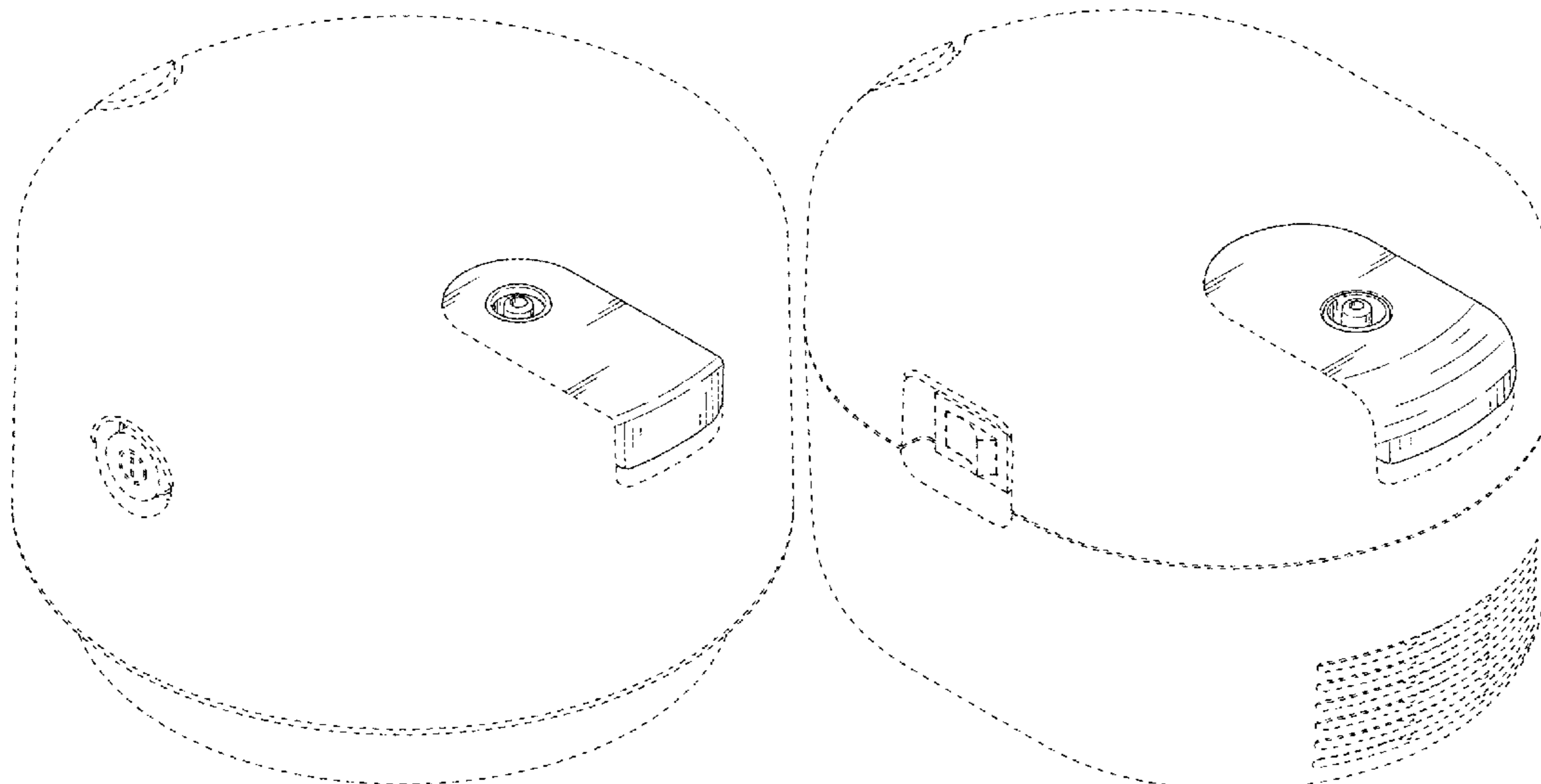
FIG. 12 is a bottom view thereof;

FIG. 13 is a right side view thereof; and,

FIG. 14 is a left side view thereof.

The broken lines shown in the figures illustrate portions of the nebulizer compressor that form no part of the claimed design.

1 Claim, 14 Drawing Sheets



(58) **Field of Classification Search**

USPC D8/356; D13/108; D15/7, 9; D23/208,
D23/356, 359, 360, 366
CPC A61M 16/162; A61M 16/16; A61M 16/14;
A61M 16/20; A61M 11/02; A61M 11/04;
A61M 11/00

See application file for complete search history.

(56) **References Cited**

U.S. PATENT DOCUMENTS

D306,130 S * 2/1990 Bobrowski D8/336
D449,494 S * 10/2001 Cousins D7/629
D498,768 S * 11/2004 Romandy D15/9
D538,597 S * 3/2007 Kim D7/510
D560,114 S * 1/2008 Mockett D8/356
D566,470 S * 4/2008 Wahl D7/510
D566,520 S * 4/2008 Samhammer D8/331
D570,473 S * 6/2008 Hamaguchi D24/110
D609,318 S * 2/2010 Lam D23/356
D658,006 S * 4/2012 Yao D7/505
D675,903 S * 2/2013 Rothbaum D8/356
D687,661 S * 8/2013 Cetera D7/300.1
D699,996 S * 2/2014 De Leo D7/300.1
8,777,040 B2 * 7/2014 Wahl B65D 43/16
220/259.3
D713,203 S * 9/2014 Vogt D7/901
D729,616 S * 5/2015 Rothbaum D8/356
D745,137 S * 12/2015 Pipe D24/108

D756,705 S * 5/2016 Abrams D7/532
D804,674 S * 12/2017 Im D24/186
D808,437 S * 1/2018 Hubbard-Cummins D15/7
D830,791 S * 10/2018 Lee D7/629
D849,057 S * 5/2019 Jörißen G06F 3/0482
D15/7
D862,178 S * 10/2019 Callinan D7/510
D884,455 S * 5/2020 Chen D8/331
D911,778 S * 3/2021 Jacobsen D7/511
D913,475 S * 3/2021 Wu D23/366
D931,051 S * 9/2021 Ames D7/510
D931,432 S * 9/2021 Baillie D23/356
D934,054 S * 10/2021 Su D8/331
D943,072 S * 2/2022 Hu D23/356
D950,694 S * 5/2022 Tang D23/356
D959,915 S * 8/2022 Bruner D7/511
2021/0077756 A1 * 3/2021 Hilliard A61M 11/002

OTHER PUBLICATIONS

[OMRON Compressor Nebulizer NE-C106 Nebulizer], ifdesign.com, Posted: 2021 [online], site visited: [Oct. 28, 2022], URL: <<https://ifdesign.com/en/winner-ranking/project/omron-compressor-nebulizer-ne-c106/312321>>. (Year: 2021).*

[OMRON Compressor Nebulizer NE-C111 Nebulizer], ifdesign.com, Posted: 2021 [online], site visited: [Oct. 28, 2022], URL: <<https://ifdesign.com/en/winner-ranking/project/omron-compressor-nebulizer-ne-c111/312318>>. (Year: 2021).*

* cited by examiner

FIG. 1

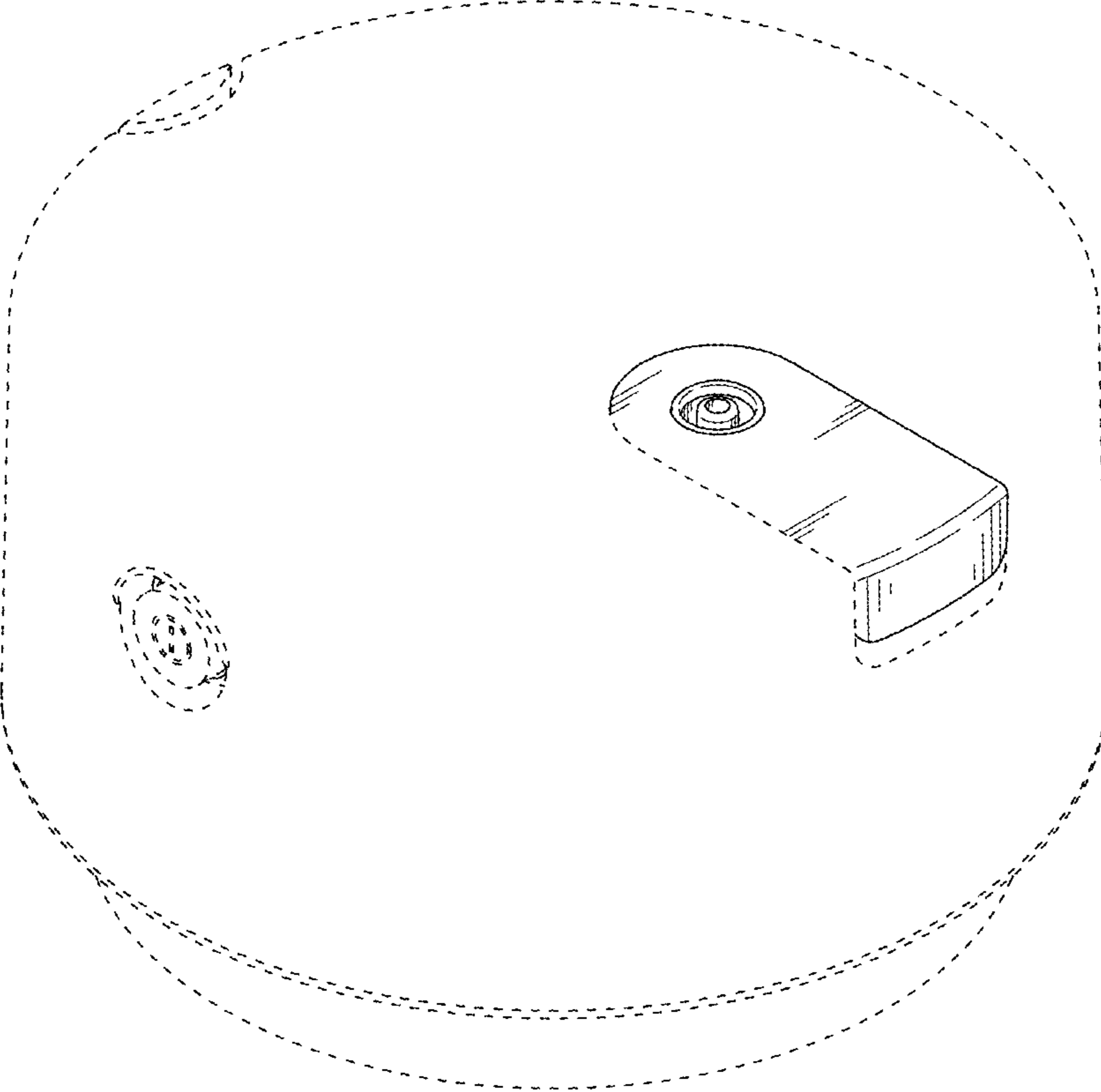


FIG. 2

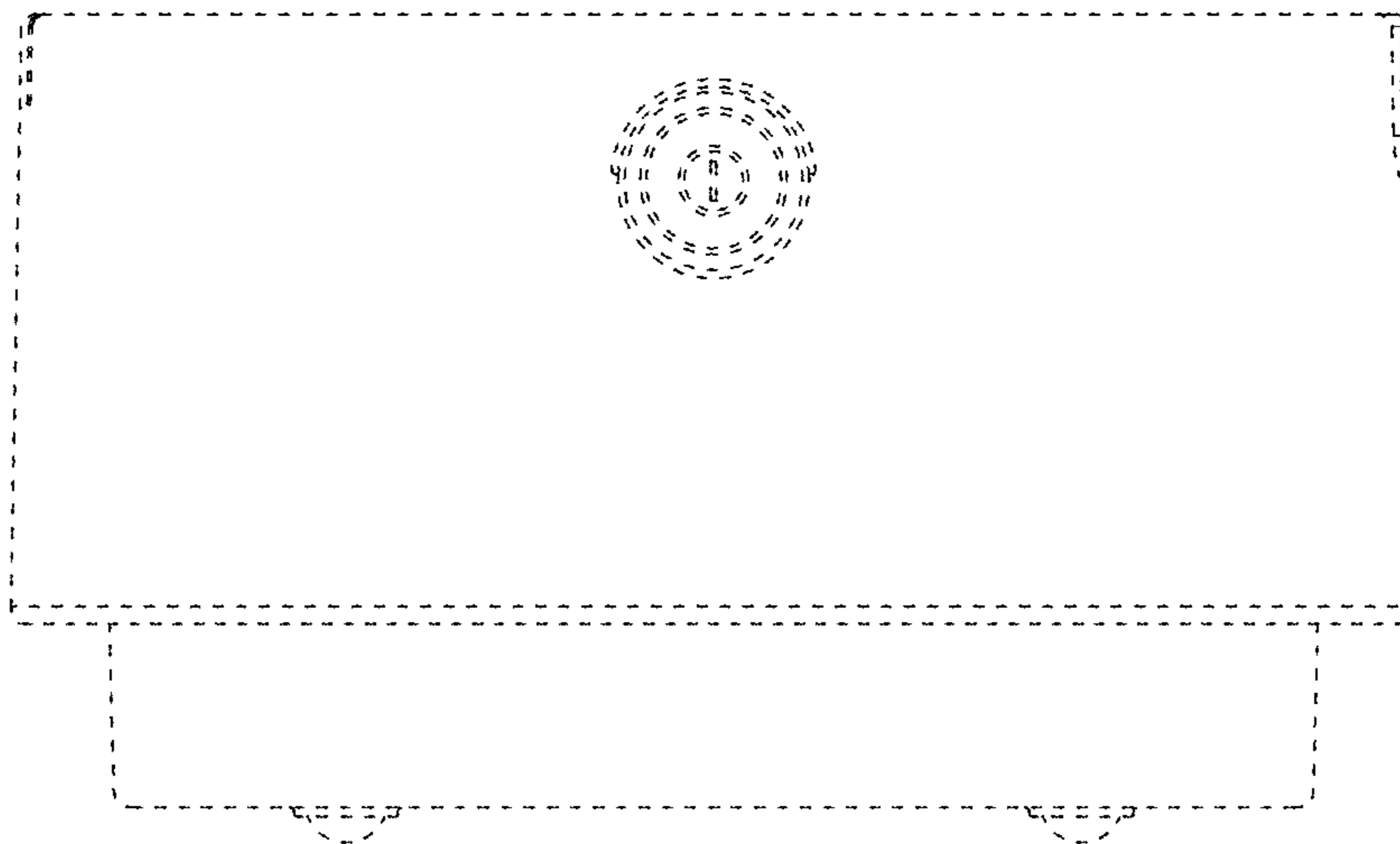


FIG. 3

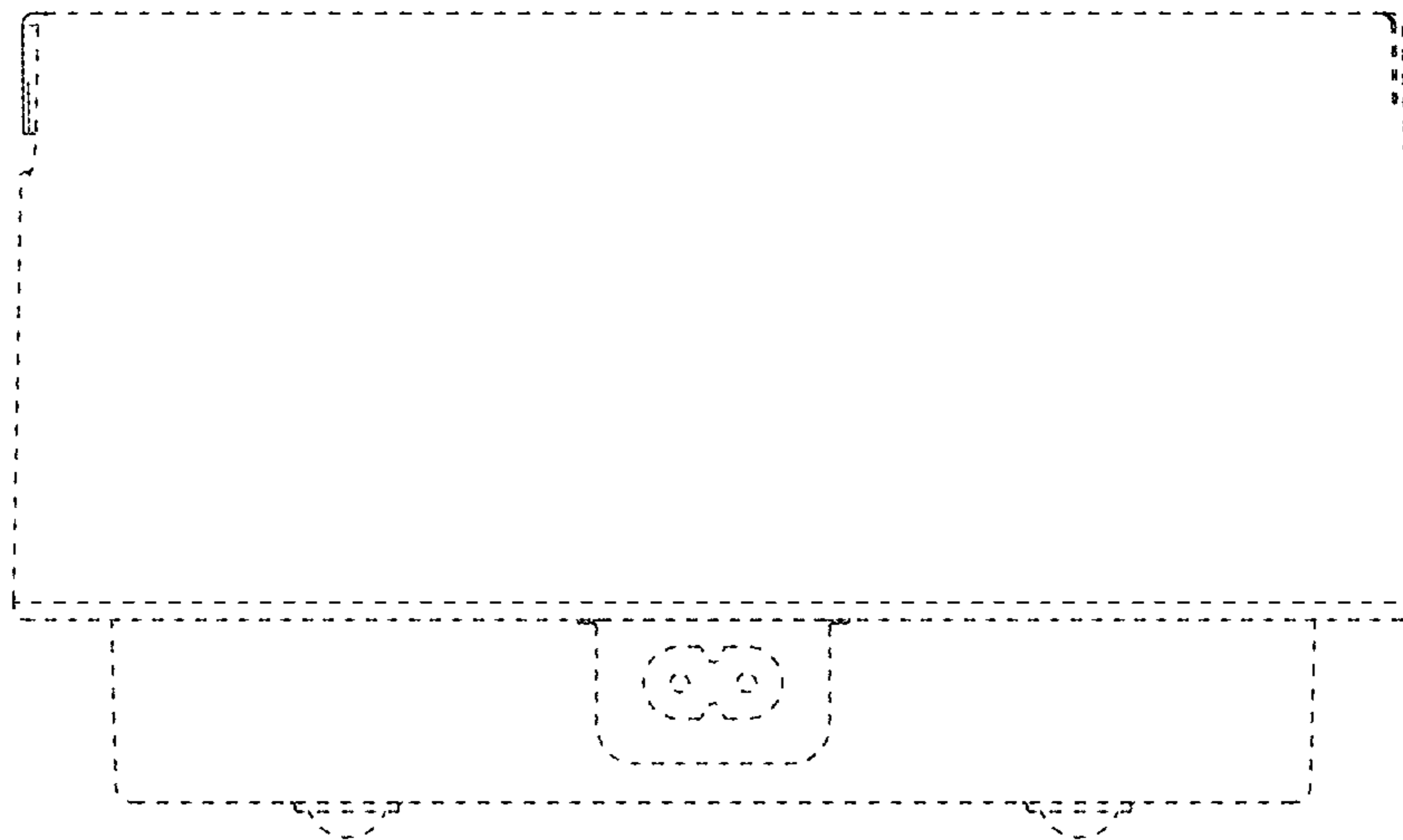


FIG. 4

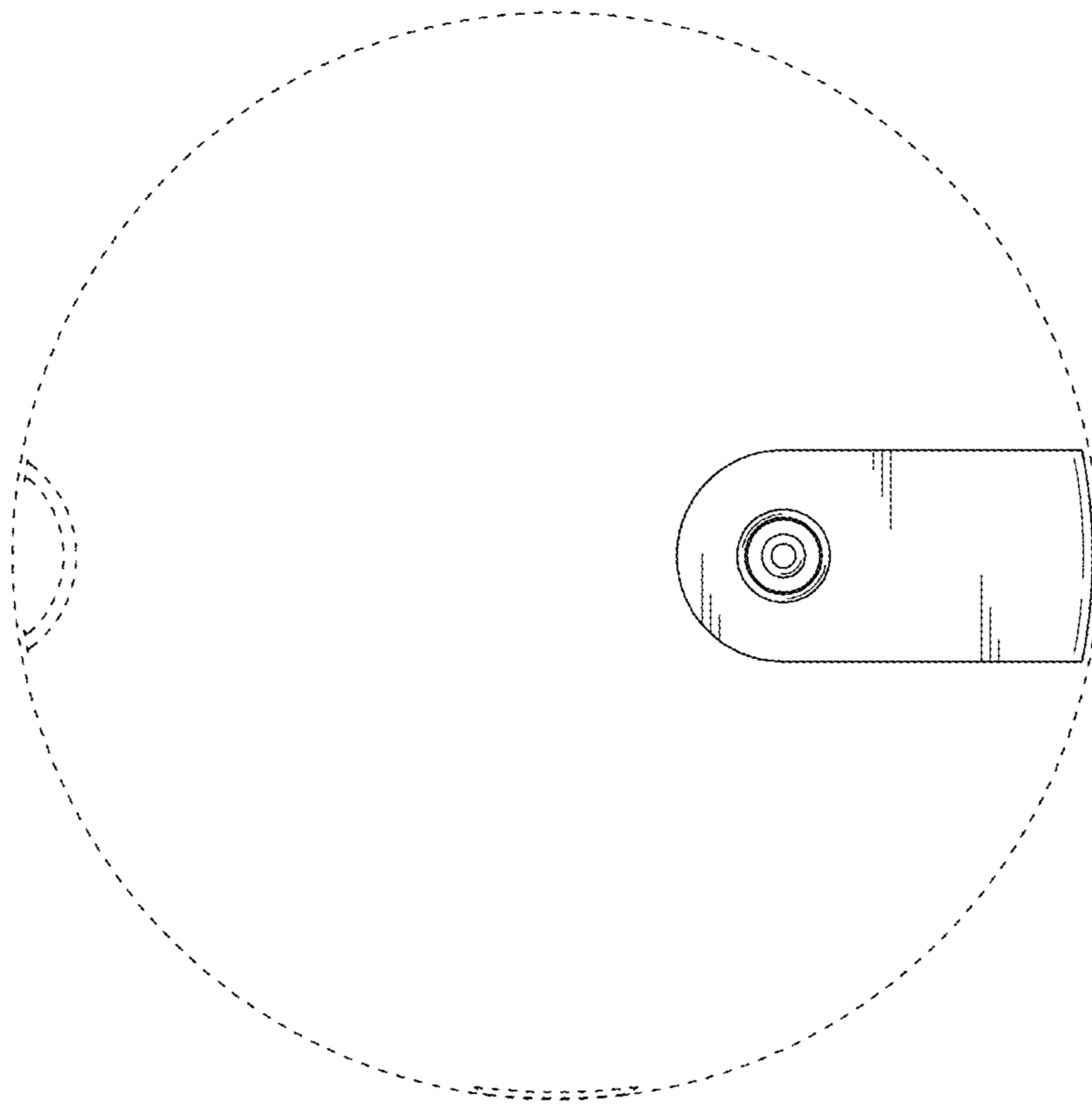


FIG. 5

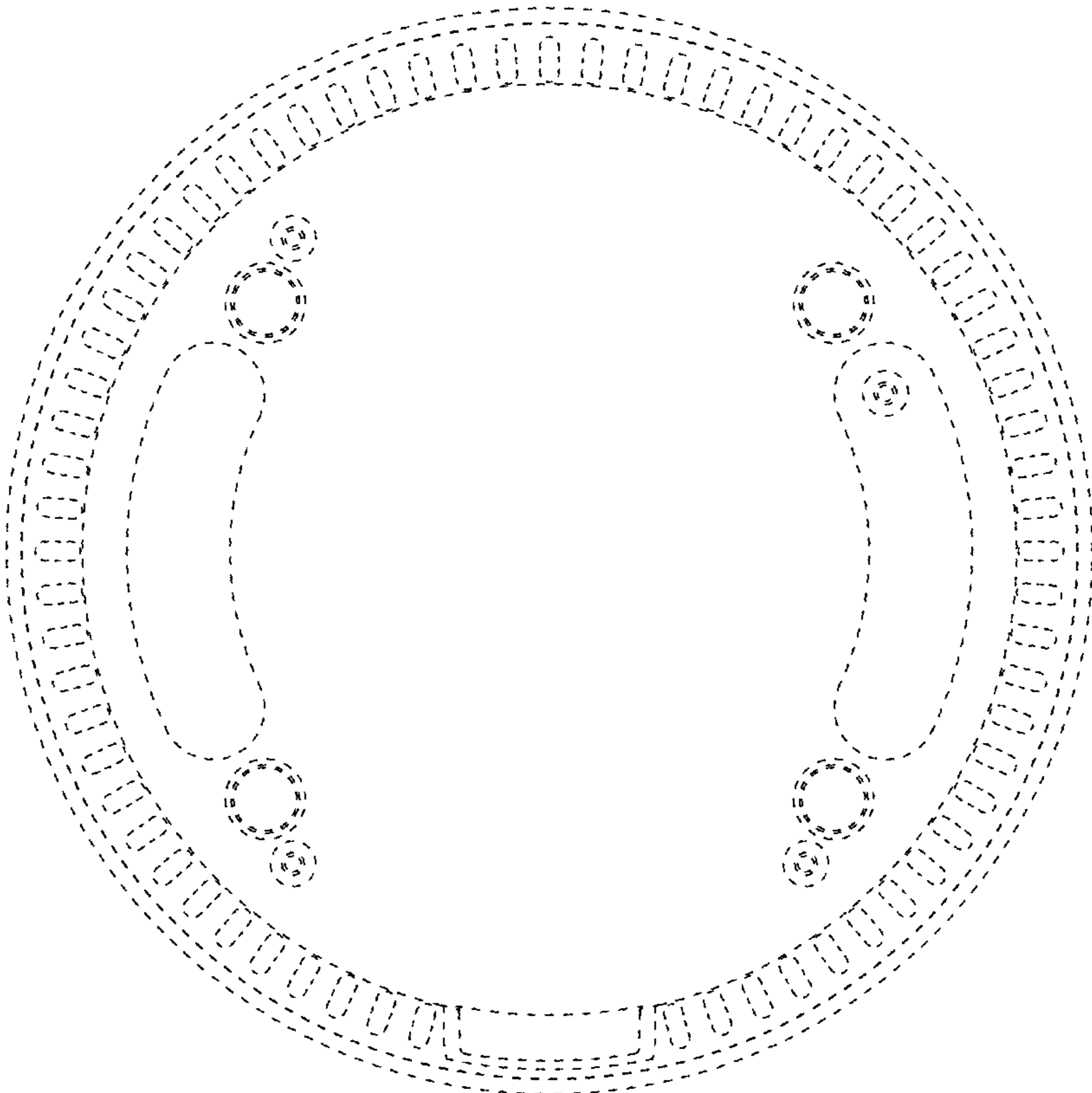


FIG. 6

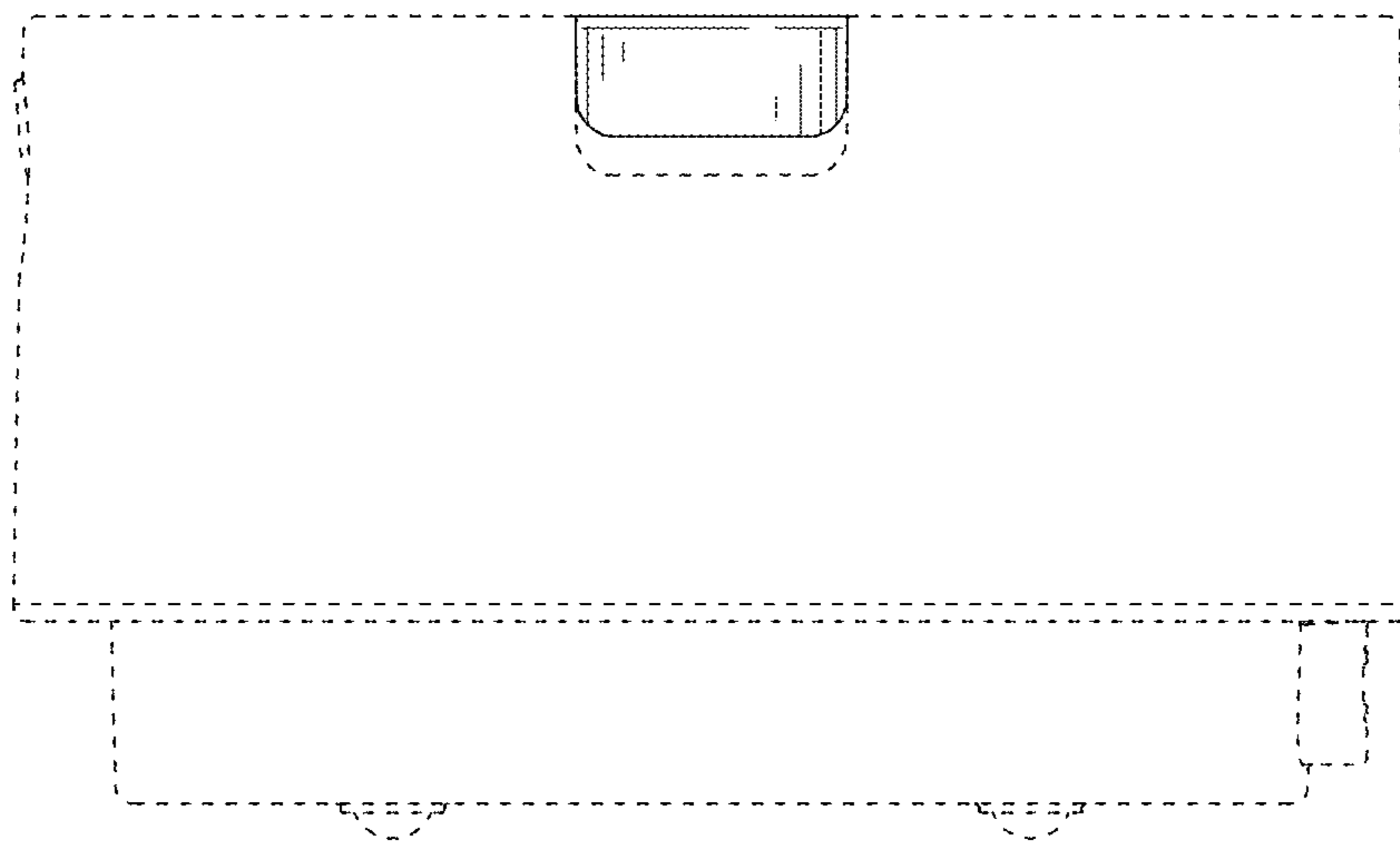


FIG. 7

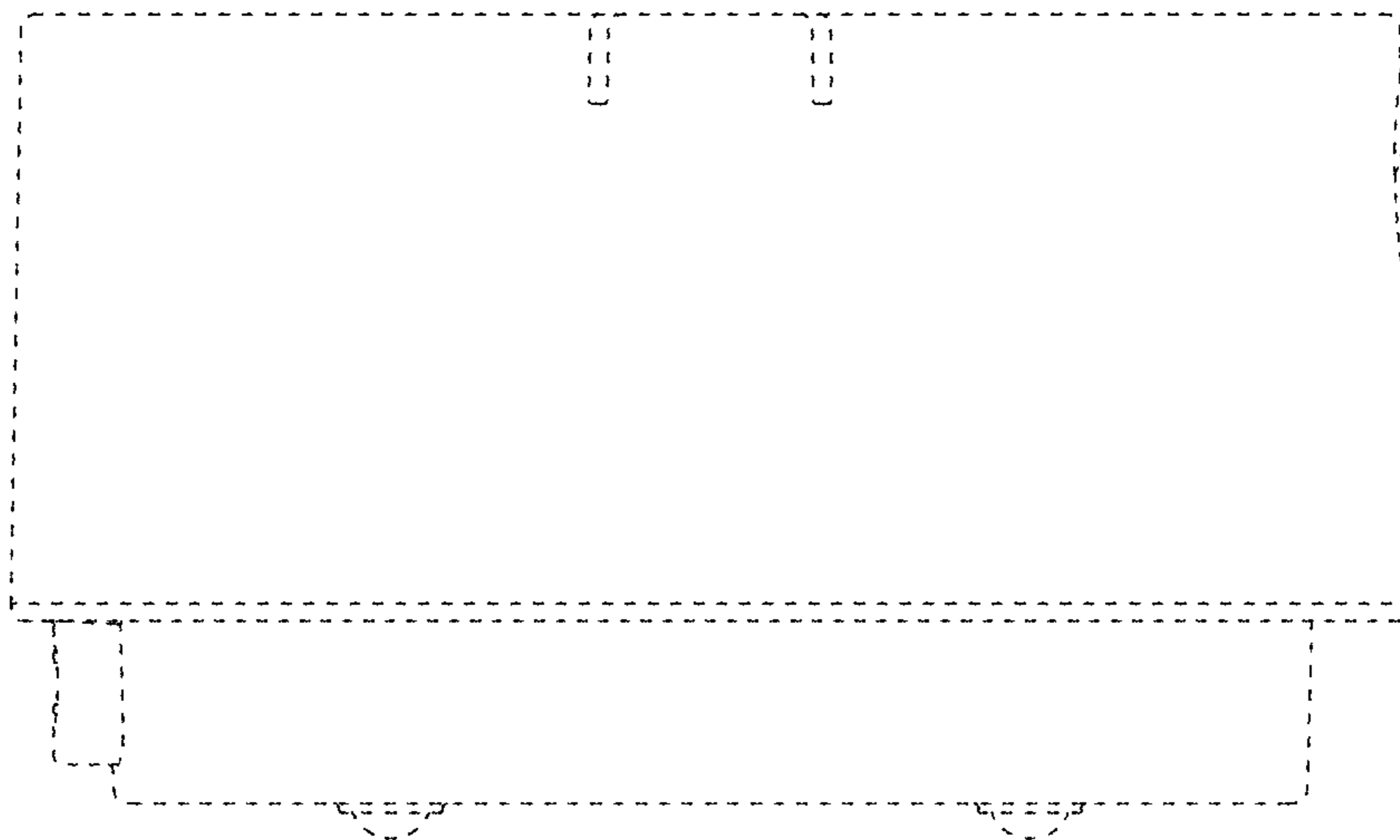


FIG. 8

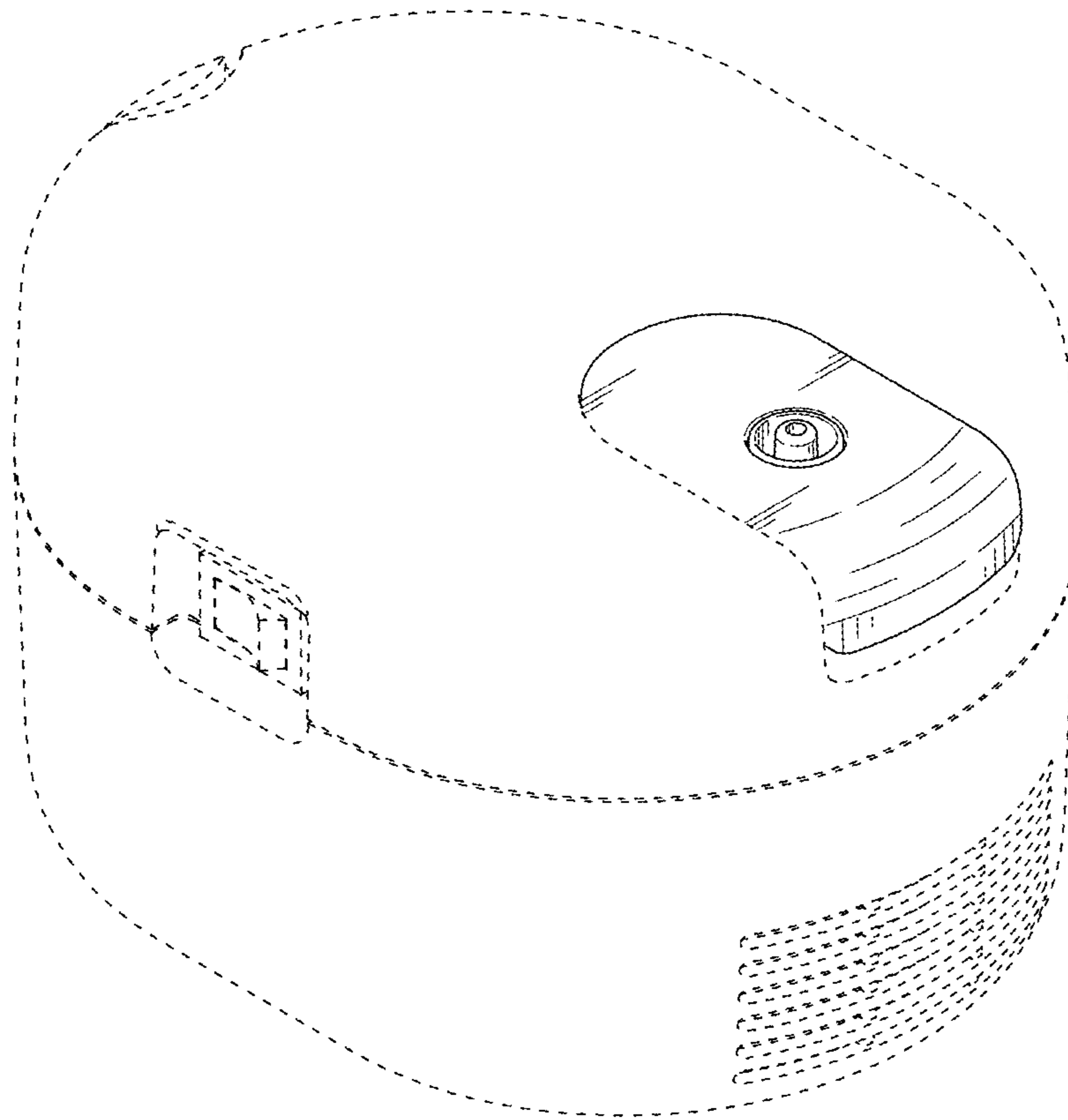


FIG. 9

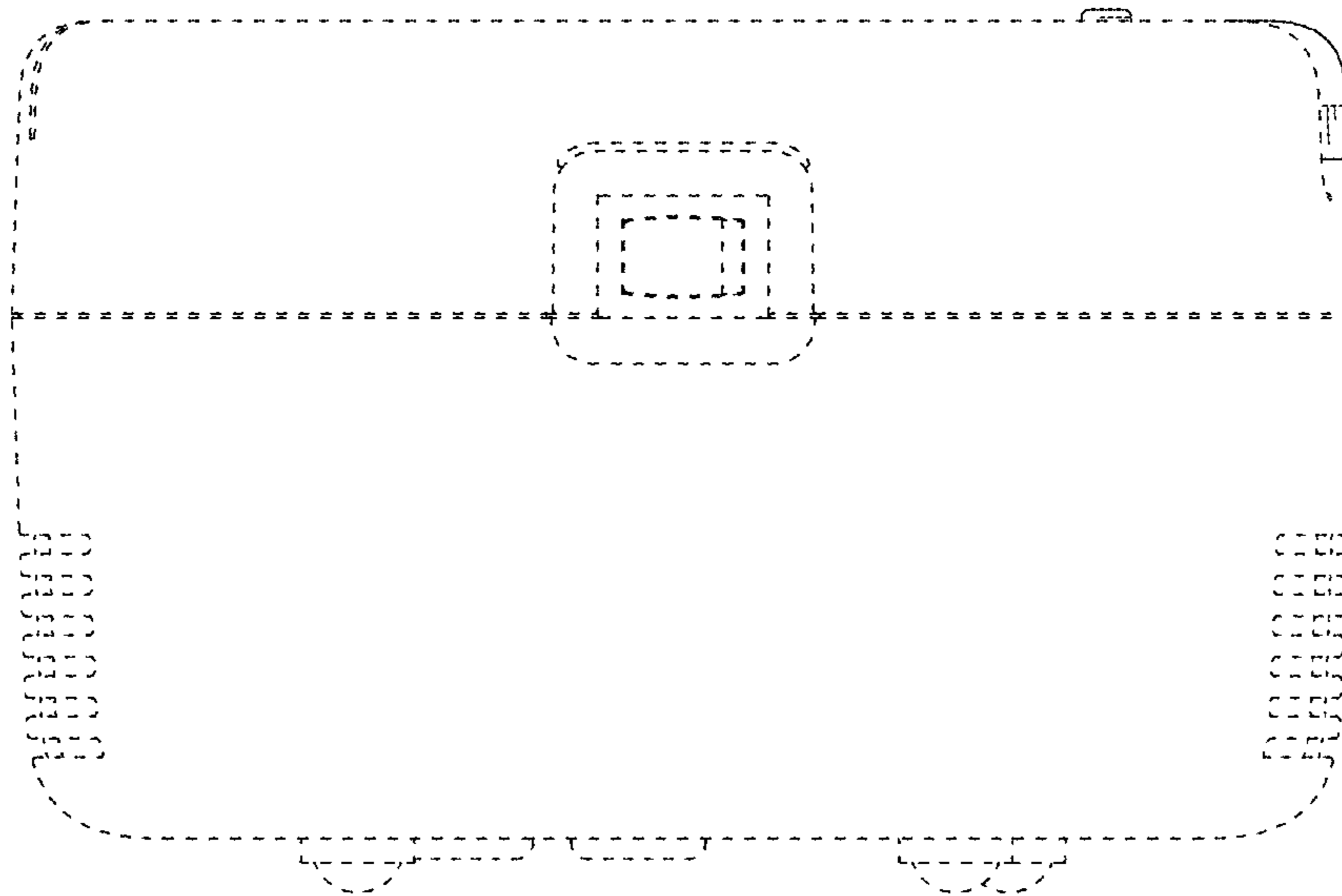


FIG. 10

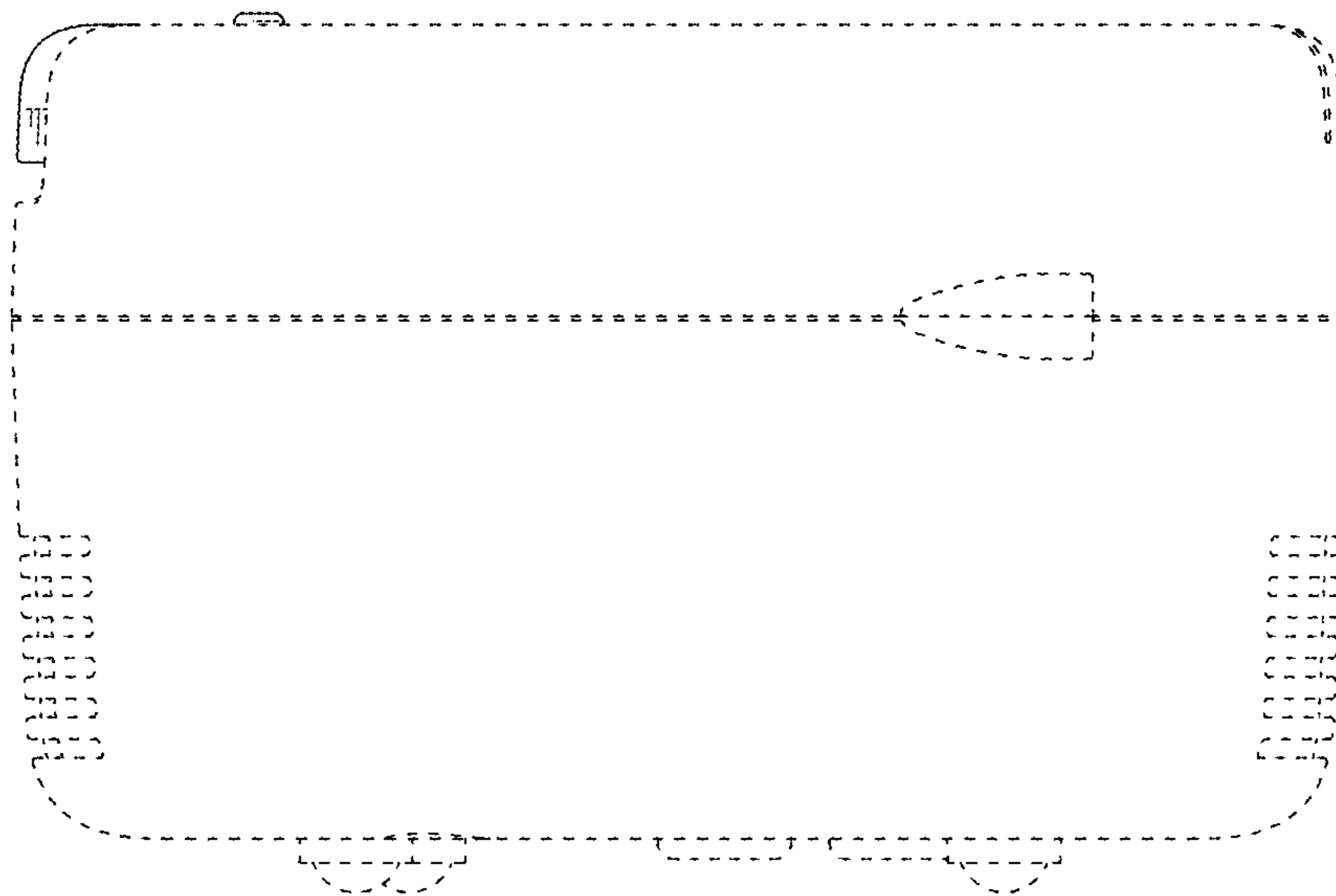


FIG. 11

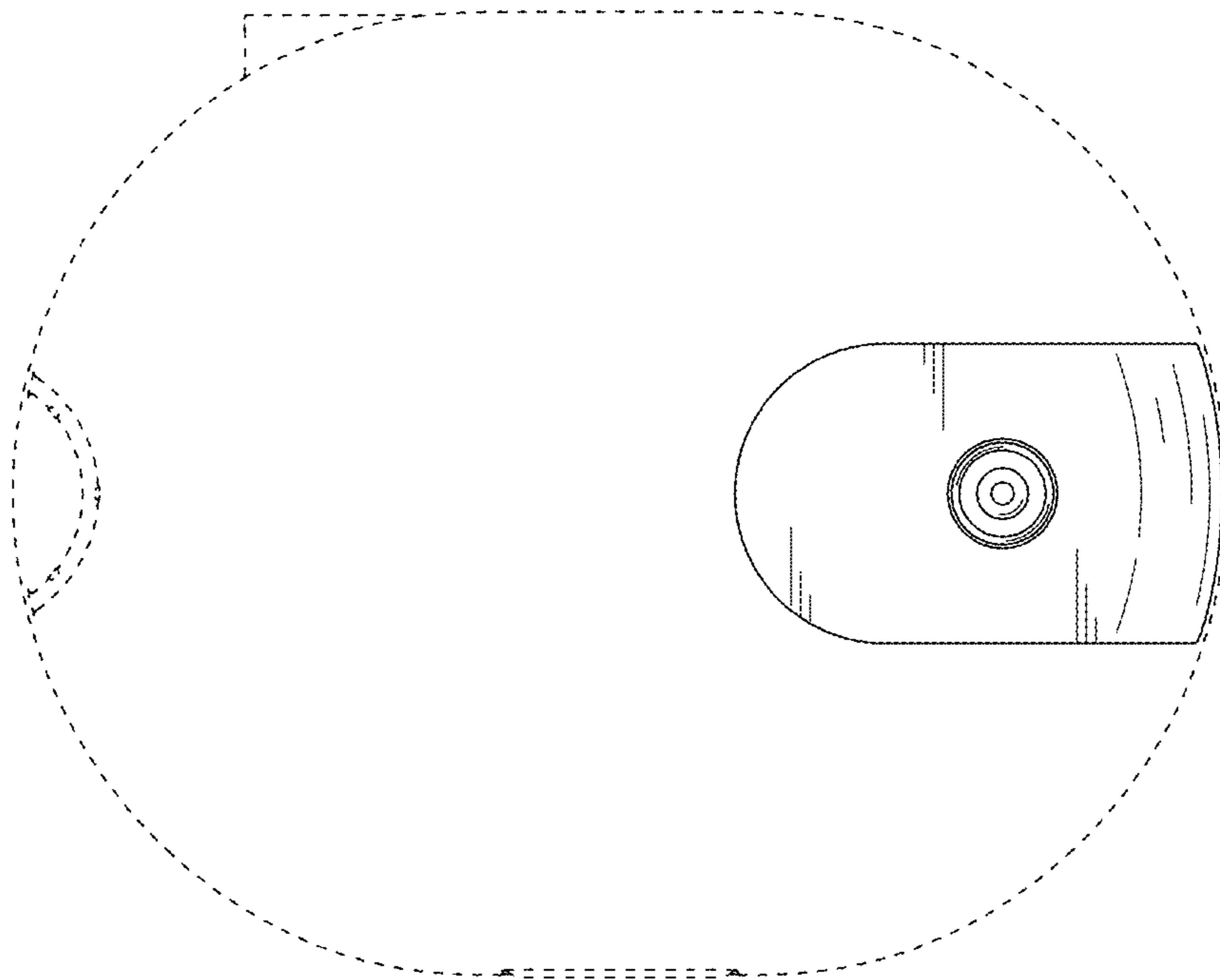


FIG. 12

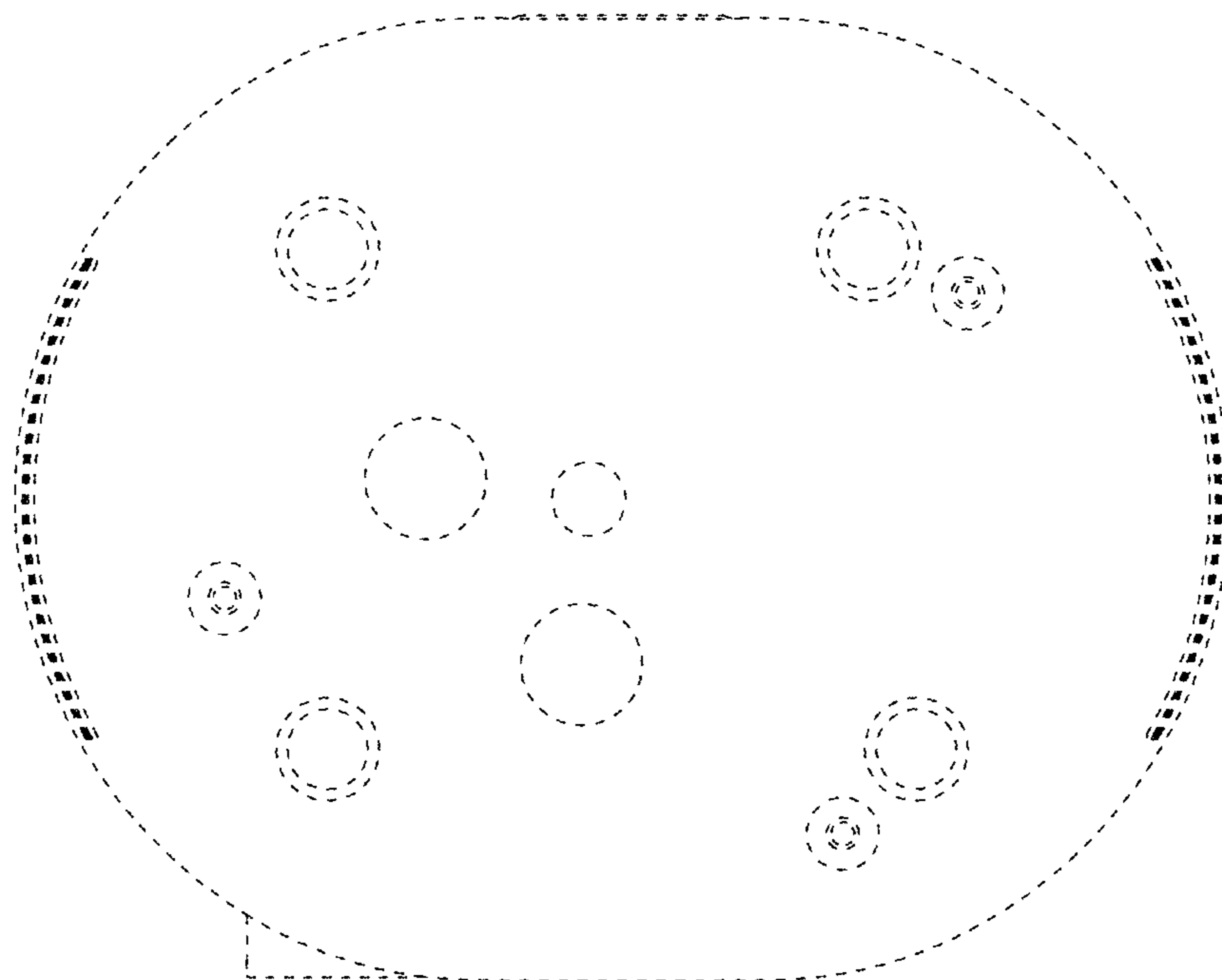


FIG. 13

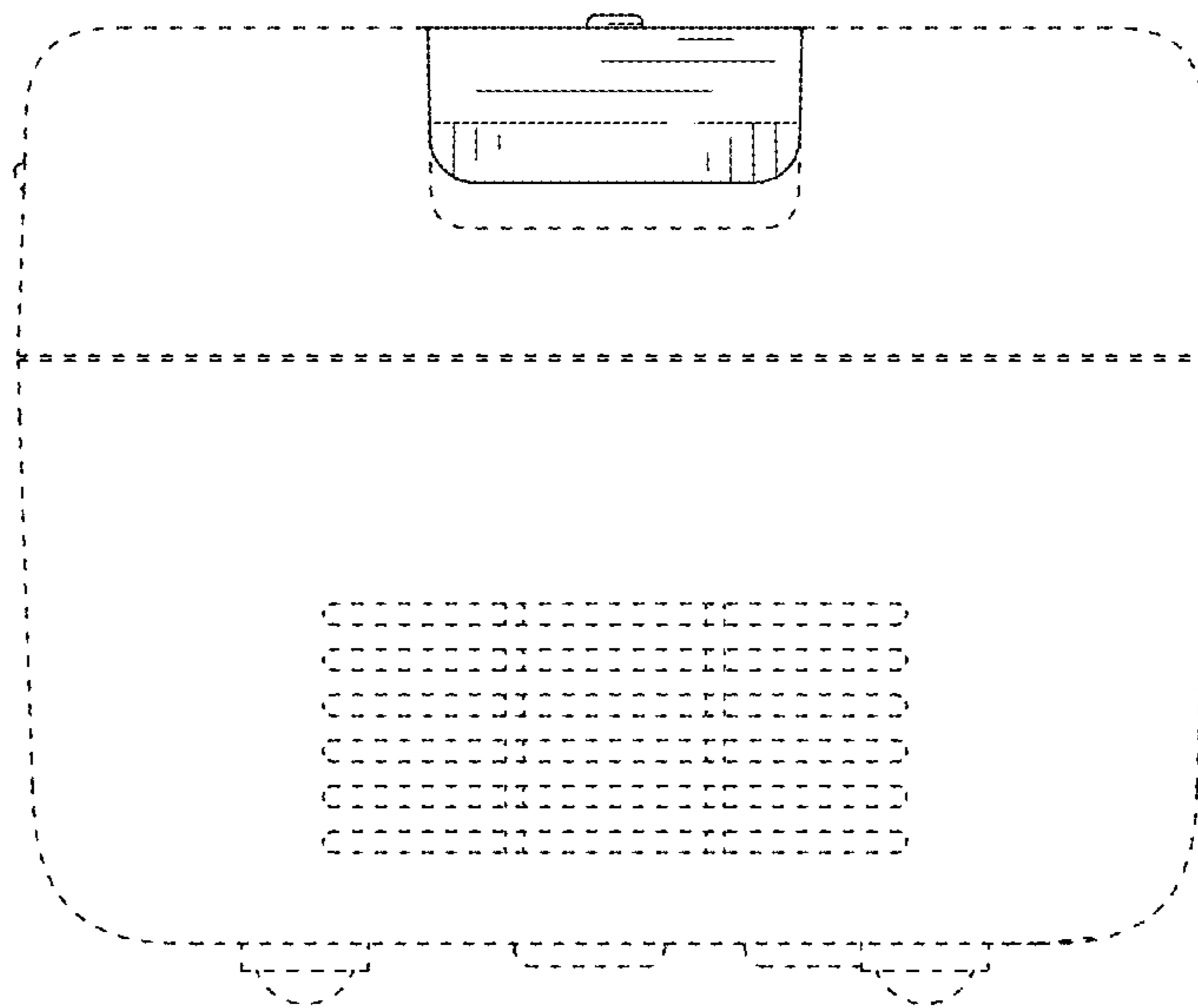


FIG. 14

