



US00D979737S

(12) **United States Design Patent**
Haggar

(10) **Patent No.:** **US D979,737 S**

(45) **Date of Patent:** **** Feb. 28, 2023**

(54) **COMBINED CEILING FAN MOTOR HOUSING AND LIGHT KIT**

(71) Applicant: **HUNTER FAN COMPANY**,
Memphis, TN (US)

(72) Inventor: **Alexander Jonathan Haggar**,
Memphis, TN (US)

(73) Assignee: **Hunter Fan Company**, Memphis, TN
(US)

(**) Term: **15 Years**

(21) Appl. No.: **29/740,589**

(22) Filed: **Jul. 6, 2020**

Related U.S. Application Data

(60) Continuation of application No. 29/696,741, filed on Jul. 1, 2019, now Pat. No. Des. 892,301, which is a division of application No. 29/639,363, filed on Mar. 6, 2018, now Pat. No. Des. 862,755.

(51) **LOC (14) Cl.** **23-03**

(52) **U.S. Cl.**
USPC **D23/411**

(58) **Field of Classification Search**
USPC D23/328, 370, 372, 377, 381, 382, 385,
D23/411, 413; D26/24, 51, 59, 62, 63,
D26/72, 76, 77, 78, 88, 128-138
CPC F24F 13/078; F04D 25/088; E04B 9/02
See application file for complete search history.

(56) **References Cited**

U.S. PATENT DOCUMENTS

D333,867 S 3/1993 Markwardt
D377,975 S 2/1997 Young
D590,489 S 4/2009 Bucher et al.
D628,688 S 12/2010 Pan
D671,203 S 11/2012 Wang
D741,468 S 10/2015 Ertze

D741,470 S 10/2015 Ertze
D742,500 S 11/2015 Pan
D750,221 S 2/2016 Schulzman
D771,794 S 11/2016 Wang
D772,393 S 11/2016 Wang
D782,025 S 3/2017 Pickett
D785,157 S 4/2017 Wang
D788,283 S 5/2017 Busta

(Continued)

OTHER PUBLICATIONS

<http://www.fanimation.com/products/index.php/blades/30-inch-spitfire-carved-wood-blade-set.html>, Fanimation Spitfire, 60 inch Sweep Spitfire Carved Wood Blade set, Model No. B6720, accessed Sep. 22, 2017.

(Continued)

Primary Examiner — Calvin E Vansant

(74) *Attorney, Agent, or Firm* — McGarry Bair PC

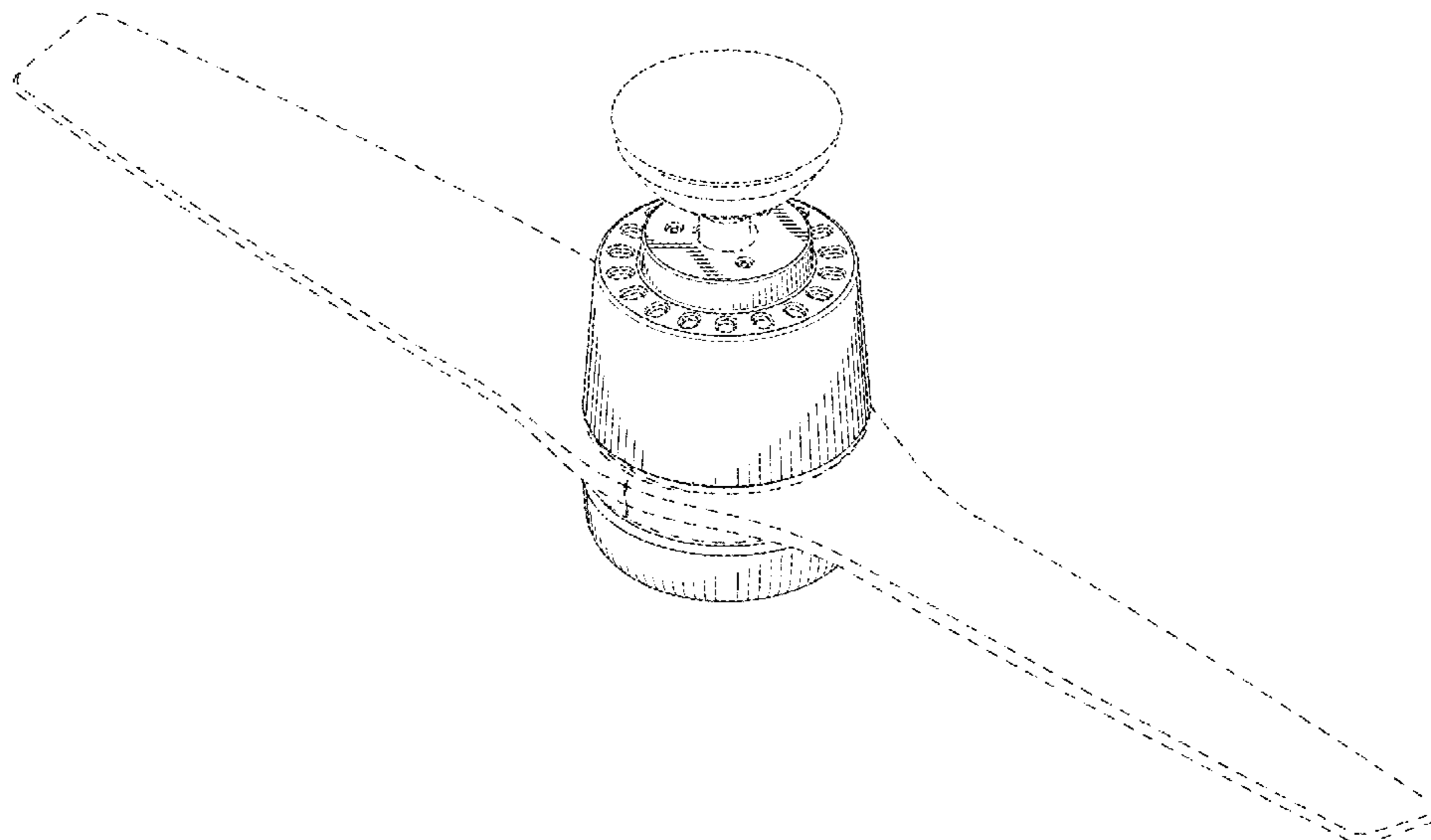
(57) **CLAIM**

The ornamental design for a combined ceiling fan motor housing and light kit, as shown and described.

DESCRIPTION

FIG. 1 is a top perspective view of a combined ceiling fan motor housing and light kit, shown in the environment of a ceiling fan, showing my new design; FIG. 2 is a bottom perspective view thereof; FIG. 3 is a front view thereof; FIG. 4 is a top view thereof; FIG. 5 is a rear side view thereof; FIG. 6 is a bottom side view thereof; FIG. 7 is a right side view thereof; and, FIG. 8 is a left side view thereof. Portions of the combined ceiling fan motor housing and light kit and ceiling fan environment are shown in broken lines. Portions shown in broken lines form no part of the claimed design.

1 Claim, 5 Drawing Sheets



(56)

References Cited

U.S. PATENT DOCUMENTS

D788,286	S	5/2017	Busta	
D789,509	S	6/2017	Wang	
D789,510	S	6/2017	Wang	
D795,410	S	8/2017	Holmes	
D800,292	S	10/2017	Haggar	
D804,630	S *	12/2017	Holmes F04D 25/088 D26/59
D805,625	S *	12/2017	Haggar D23/385
D810,271	S	2/2018	Holmes	
9,885,366	B2	2/2018	Gajewski	
D833,595	S	11/2018	Busta	
D855,789	S *	8/2019	Haggar D23/377
D862,755	S *	10/2019	Haggar D26/59
D873,405	S *	1/2020	McRoberts D23/377
D911,509	S *	2/2021	Haggar D23/377
D921,880	S *	6/2021	Haggar D23/377
D933,193	S *	10/2021	Haggar D26/59
D938,569	S *	12/2021	Biancuzzo D23/377
D941,452	S *	1/2022	O'Connell D23/377
D941,984	S *	1/2022	Haggar D23/411
D965,761	S *	10/2022	Holmes Bradley F04B 39/0005 D23/377
2012/0177496	A1	7/2012	Gajewski	
2022/0228584	A1 *	7/2022	Wu F04B 39/0005

OTHER PUBLICATIONS

<http://www.kichler.com/products/product/60-inch-rana-fan-ni-310155ni.aspx>, Kichler Rana Collection, 60 inch Rana Fan in Brushed Nickel, Model No. 310155NI, accessed Sep. 22, 2017.

<https://www.craftmade.com/tempest-tem52pln3>, Craftmade Tempest, 52" Ceiling Fan in Polished Nickel with White Frost Glass, Model No. TEM52PLN3, accessed Sep. 22, 2017.

<http://www.kichler.com/products/product/56-inch-xety-fan-mwh-300702mwh.aspx>, Kichler Xety Collection, 56 inch Xety Fan in Matte White, Model No. 300702MWH, accessed Sep. 22, 2017.

<http://www.westinghouselighting.com/ceiling-fans/48-inch-ceiling-fan/solana-48-inch-two-blade-indoor-ceiling-fan-7216100.aspx>, Westinghouse Solana 48 inch Two-Blade Indoor Ceiling Fan, Model No. 72161, accessed Sep. 22, 2017.

<http://www.casablancafanco.com/Ceiling-Fans/Piston?ModelNumber=59195>, Casablanca Piston 52" Ceiling Fan in Brushed Slate, Model No. 59195, accessed Sep. 22, 2017.

<http://modernfan.com/fan/icair-2/>, Modern Fan IC/Air2, 56 inch in Bright Nickel, Model No. IC2, accessed Sep. 22, 2017.

<http://www.fanimation.com/products/index.php/26-inch-zonix-blade-set.html>, Fanimation Zonix 26 inch Blade set, Model No. B4400SN, accessed Sep. 22, 2017.

* cited by examiner

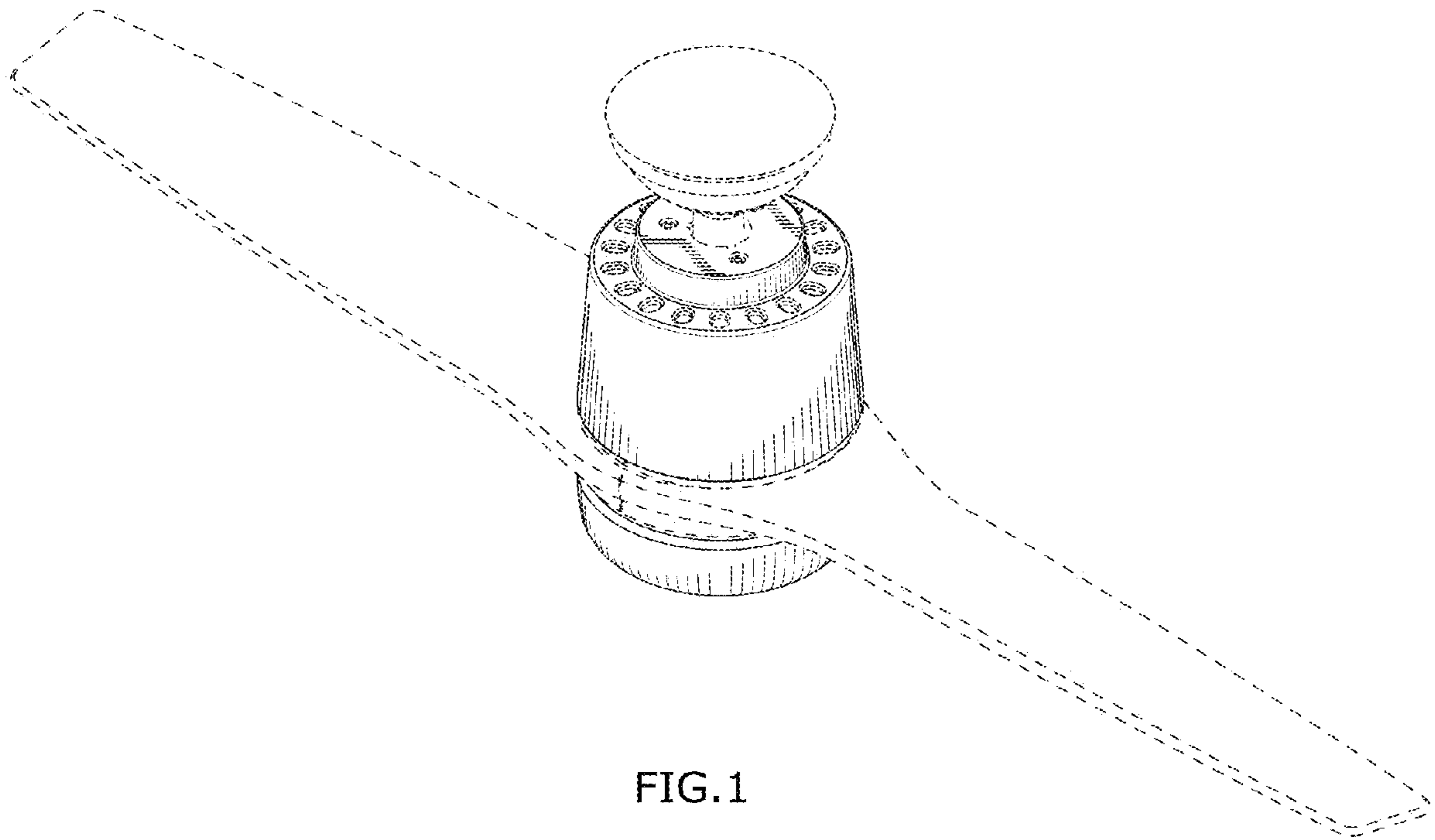


FIG. 1

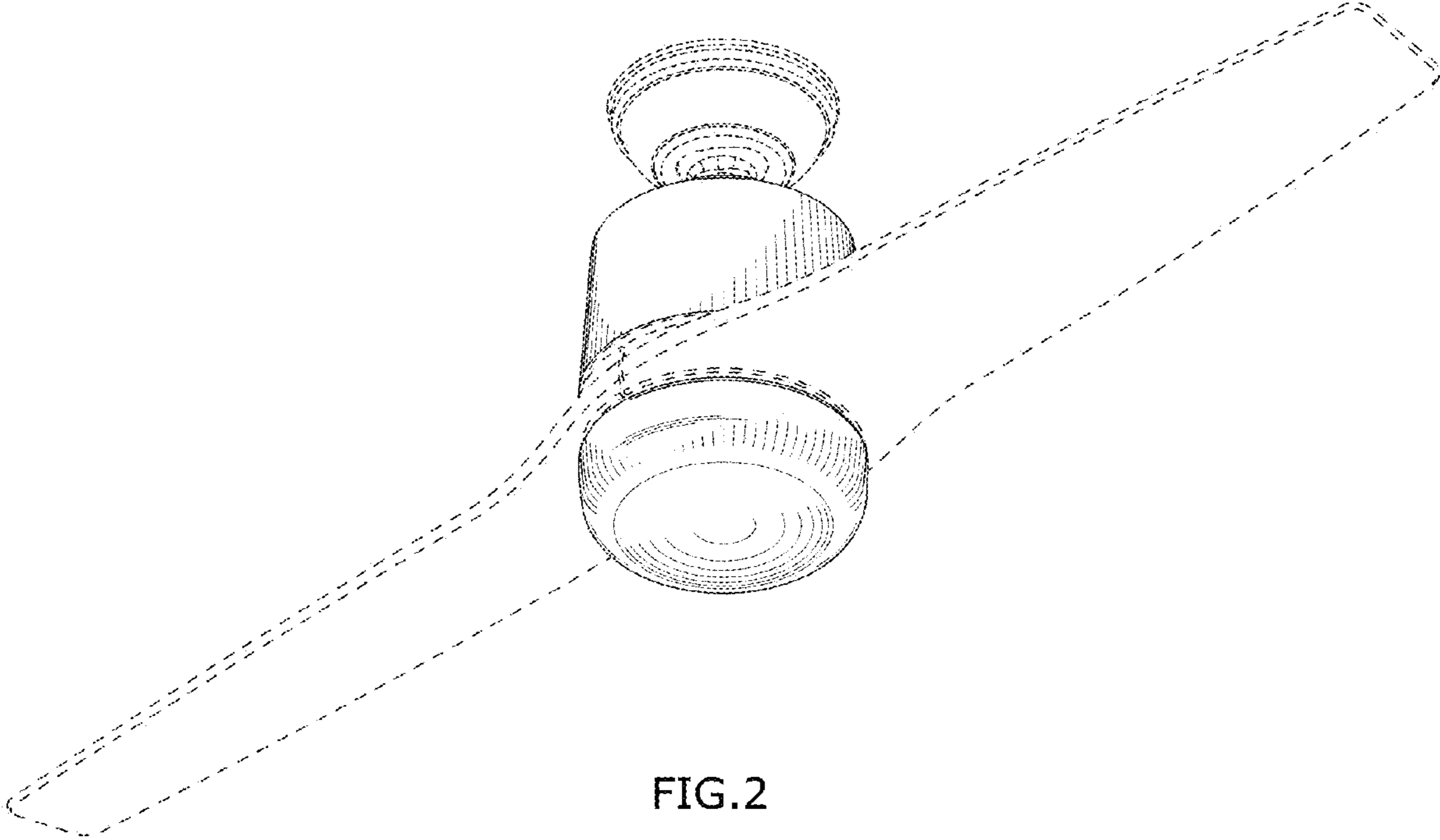


FIG.2

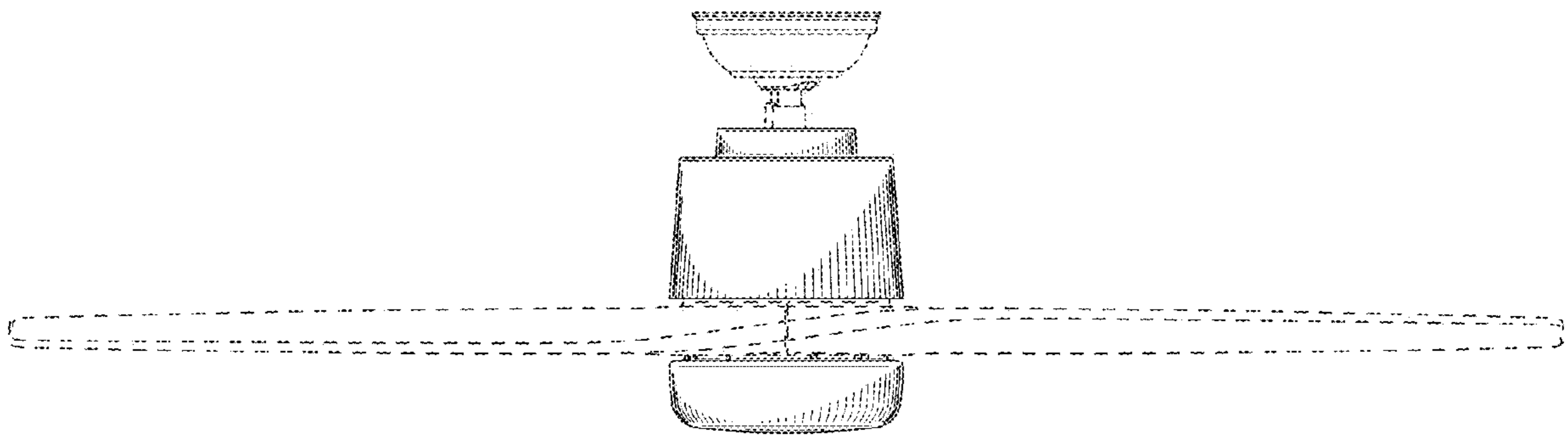


FIG. 3

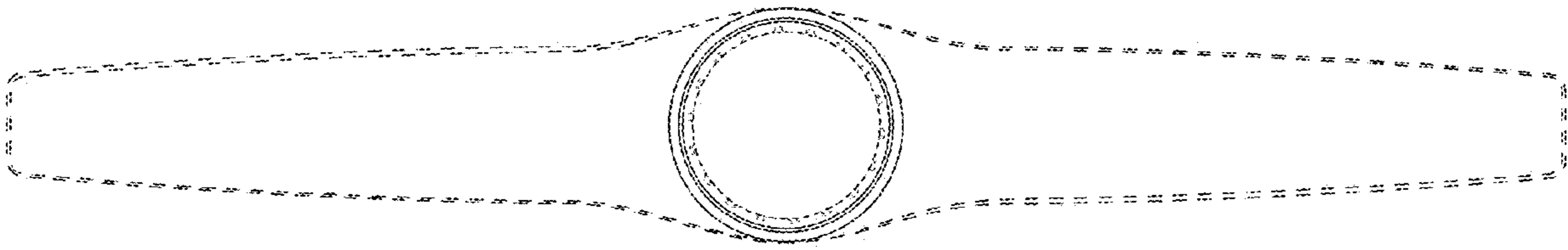


FIG. 4

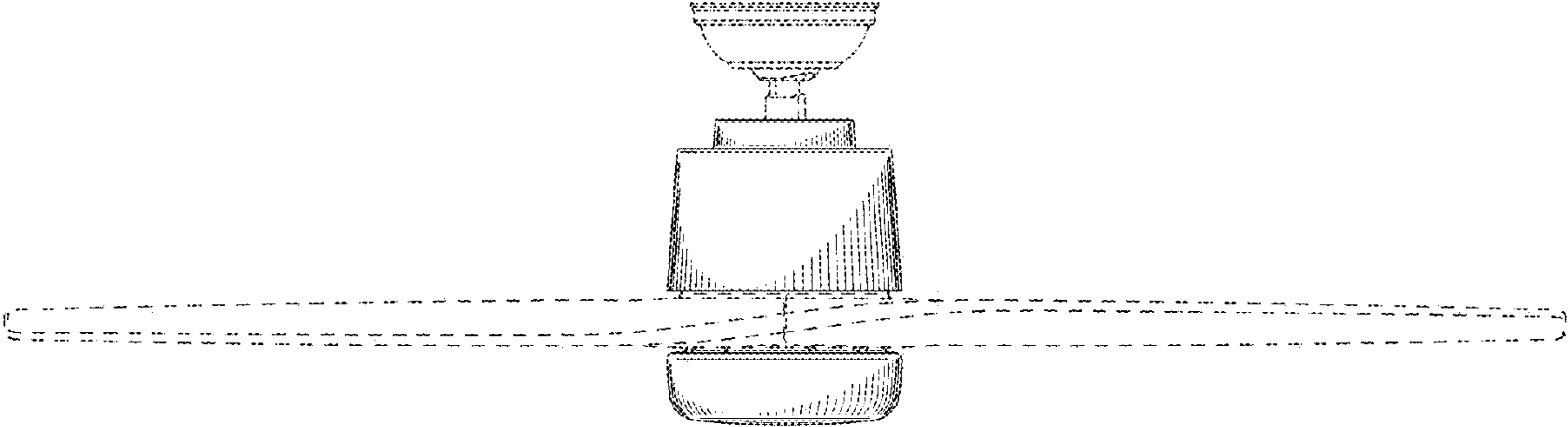


FIG.5

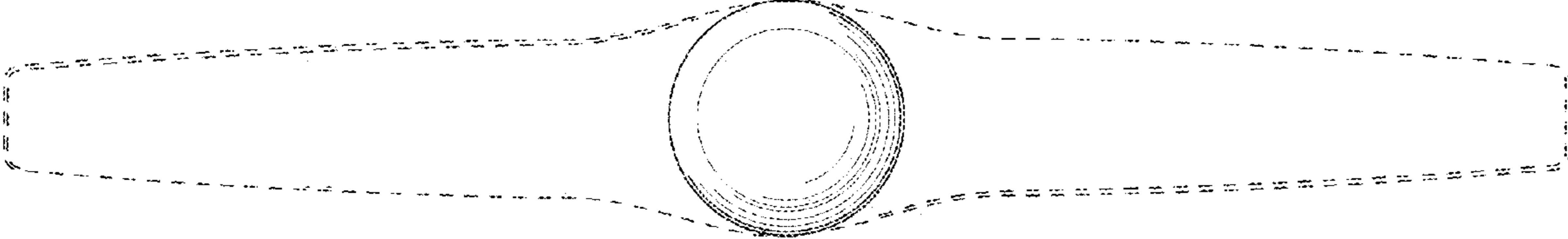


FIG.6

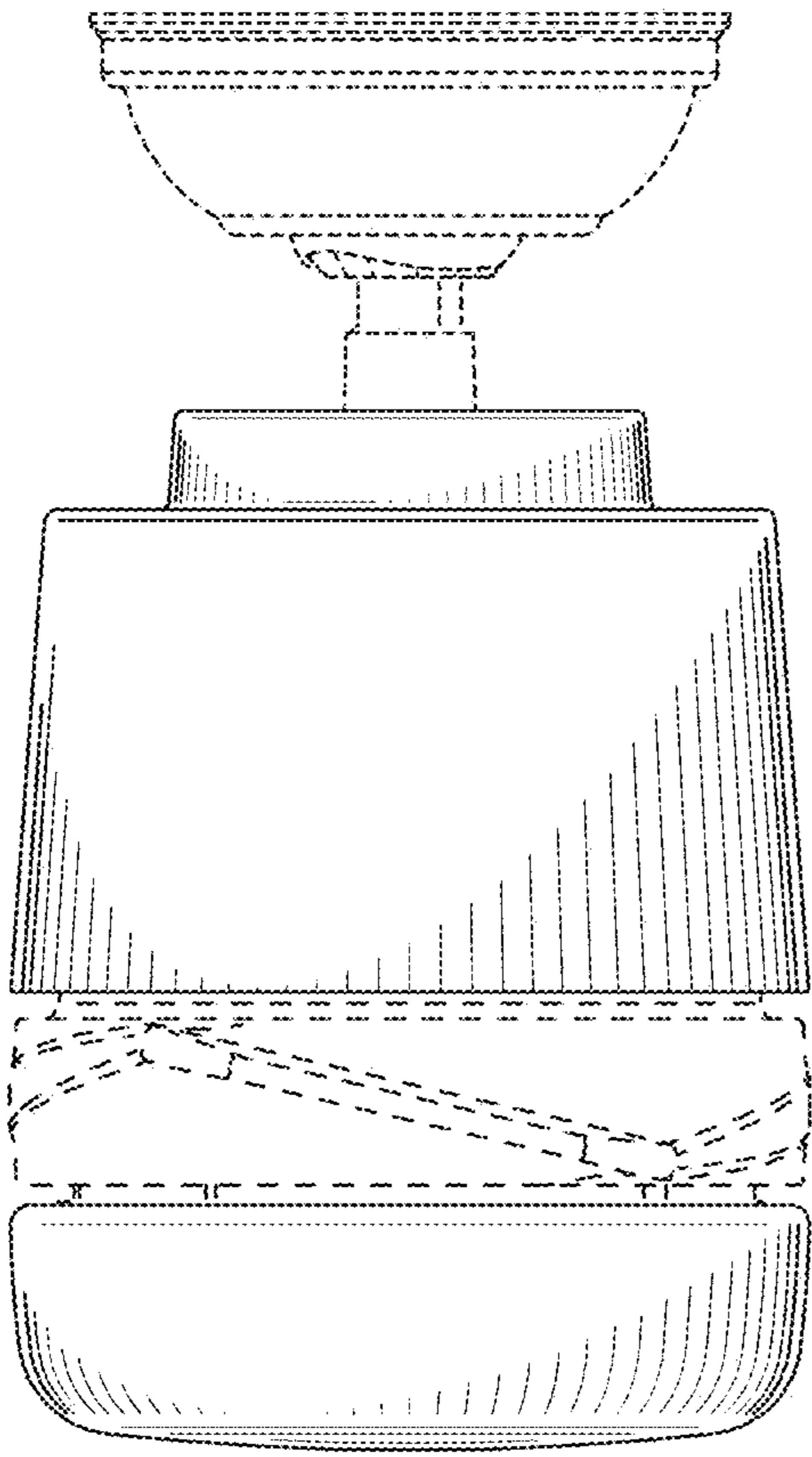


FIG. 7

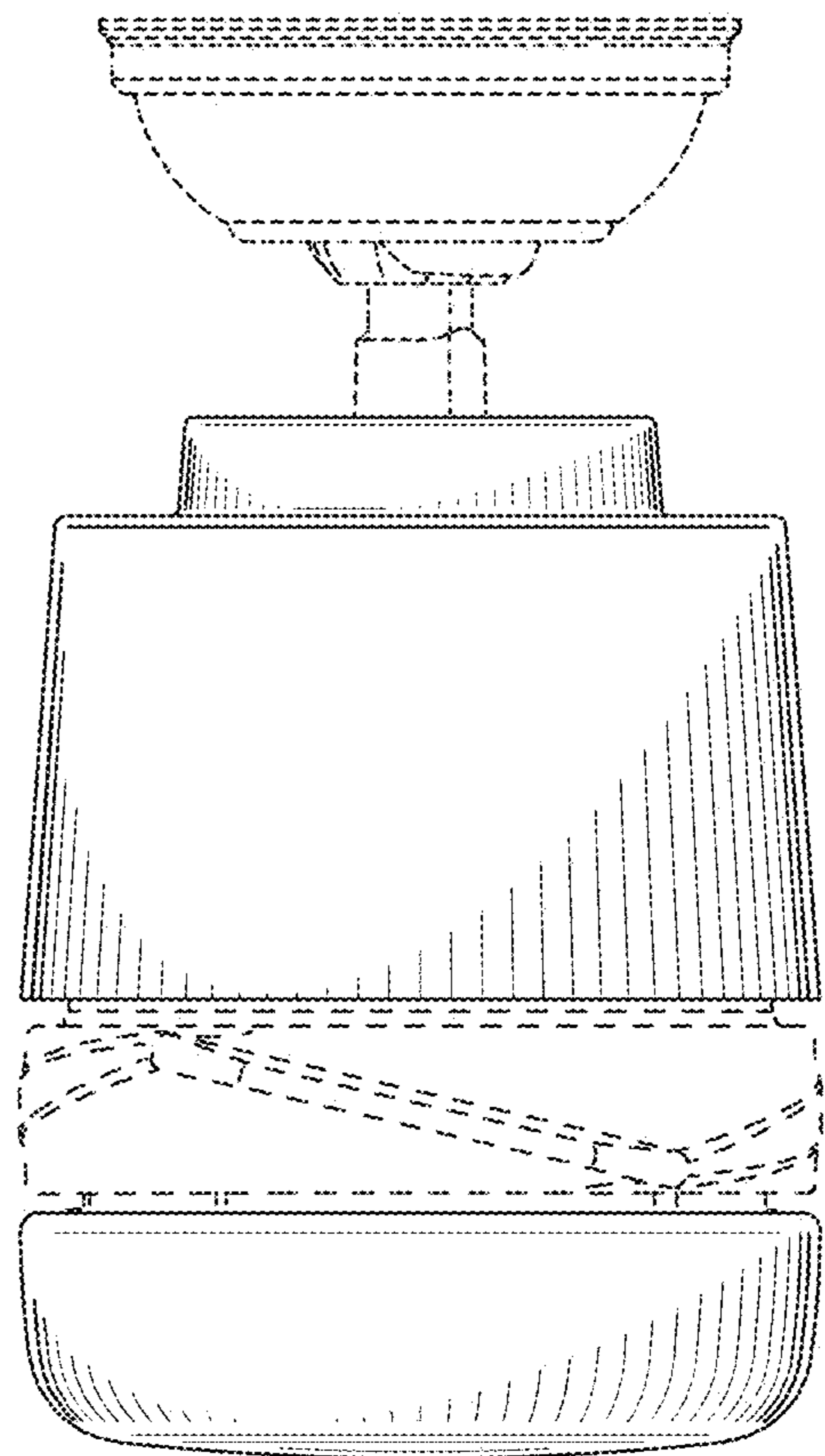


FIG. 8