



US00D979734S

(12) **United States Design Patent** (10) **Patent No.:** **US D979,734 S**
Loibl et al. (45) **Date of Patent:** **** Feb. 28, 2023**

(54) **FAN**
(71) Applicant: **VORNADO AIR, LLC**, Andover, KS (US)
(72) Inventors: **Byron Loibl**, Wichita, KS (US); **Brian Cartwright**, Wichita, KS (US); **Gregory Pease**, Andover, KS (US); **Glen Ediger**, North Newton, KS (US); **Cooper Phillips**, Wichita, KS (US)
(73) Assignee: **Vornado Air, LLC**, Andover, KS (US)
(**) Term: **15 Years**
(21) Appl. No.: **29/762,504**
(22) Filed: **Dec. 16, 2020**
(51) **LOC (14) Cl.** **23-04**
(52) **U.S. Cl.**
USPC **D23/370**
(58) **Field of Classification Search**
USPC D23/332-337, 351, 352, 355, 356, 359, D23/364, 366, 370, 378, 381
CPC F04D 17/04; F04D 25/10
See application file for complete search history.

(56) **References Cited**

U.S. PATENT DOCUMENTS

D211,993 S * 8/1968 Eno et al. D23/326
D291,594 S * 8/1987 Norman D23/386
D382,048 S * 8/1997 Bennett D23/335
D437,397 S * 2/2001 Ching D23/335
D464,413 S * 10/2002 Shapiro D23/335
7,217,098 B2 * 5/2007 Lim F04D 17/04
416/100
D548,828 S * 8/2007 Wang D23/378
D640,357 S * 6/2011 Kim D23/351
9,501,111 B1 * 11/2016 Huang F04D 29/601
D927,662 S * 8/2021 Ediger D23/335
D950,700 S * 5/2022 Cartwright D23/370

D950,701 S * 5/2022 Cartwright D23/370
D954,246 S * 6/2022 Ediger D23/370
2006/0093463 A1 * 5/2006 Iyer F04D 17/04
415/53.1
2006/0264166 A1 * 11/2006 Ngan F24F 7/007
454/237
2016/0334841 A1 * 11/2016 Huang F04D 17/04

OTHER PUBLICATIONS

Sharper Image AXIS 47 AirBar Tower Fan AXIS47 Remote Control User Manual Vornado Air, date available Feb. 19, 2020, site visited Jun. 28, 2022, available from internet <<https://fccid.io/WOT-AXIS47/User-Manual/15-AXIS-47-UserMan-US-4624801>>.*

* cited by examiner

Primary Examiner — Sharon S Oum

(74) *Attorney, Agent, or Firm* — Avyno Law P.C.

(57) **CLAIM**

We claim the ornamental design for a fan, as shown and described.

DESCRIPTION

FIG. 1 is a top rear perspective view of a fan of the present invention.

FIG. 2 is a bottom front perspective view of the fan of FIG. 1.

FIG. 3 is a rear elevation view of the fan of FIG. 1.

FIG. 4 is a front elevation view of the fan of FIG. 1.

FIG. 5 is a side elevation view of the left side of the fan of FIG. 1.

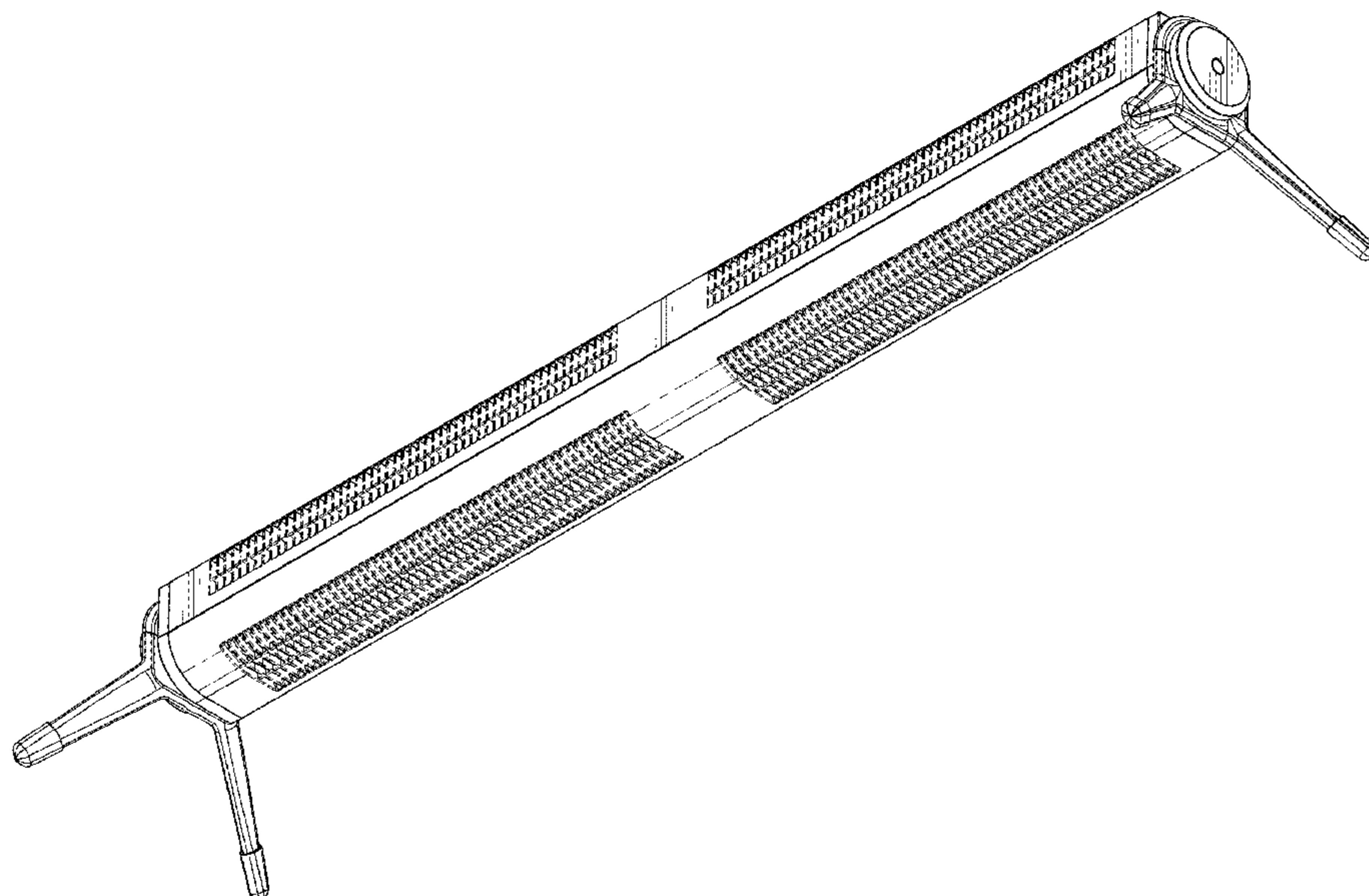
FIG. 6 is a side elevation view of the right side of the fan of FIG. 1.

FIG. 7 is a top plan view of the fan of FIG. 1; and,

FIG. 8 is a bottom plan view of the fan of FIG. 1.

In the drawings, the broken lines depict portions of a fan that form no part of the claimed design.

1 Claim, 7 Drawing Sheets



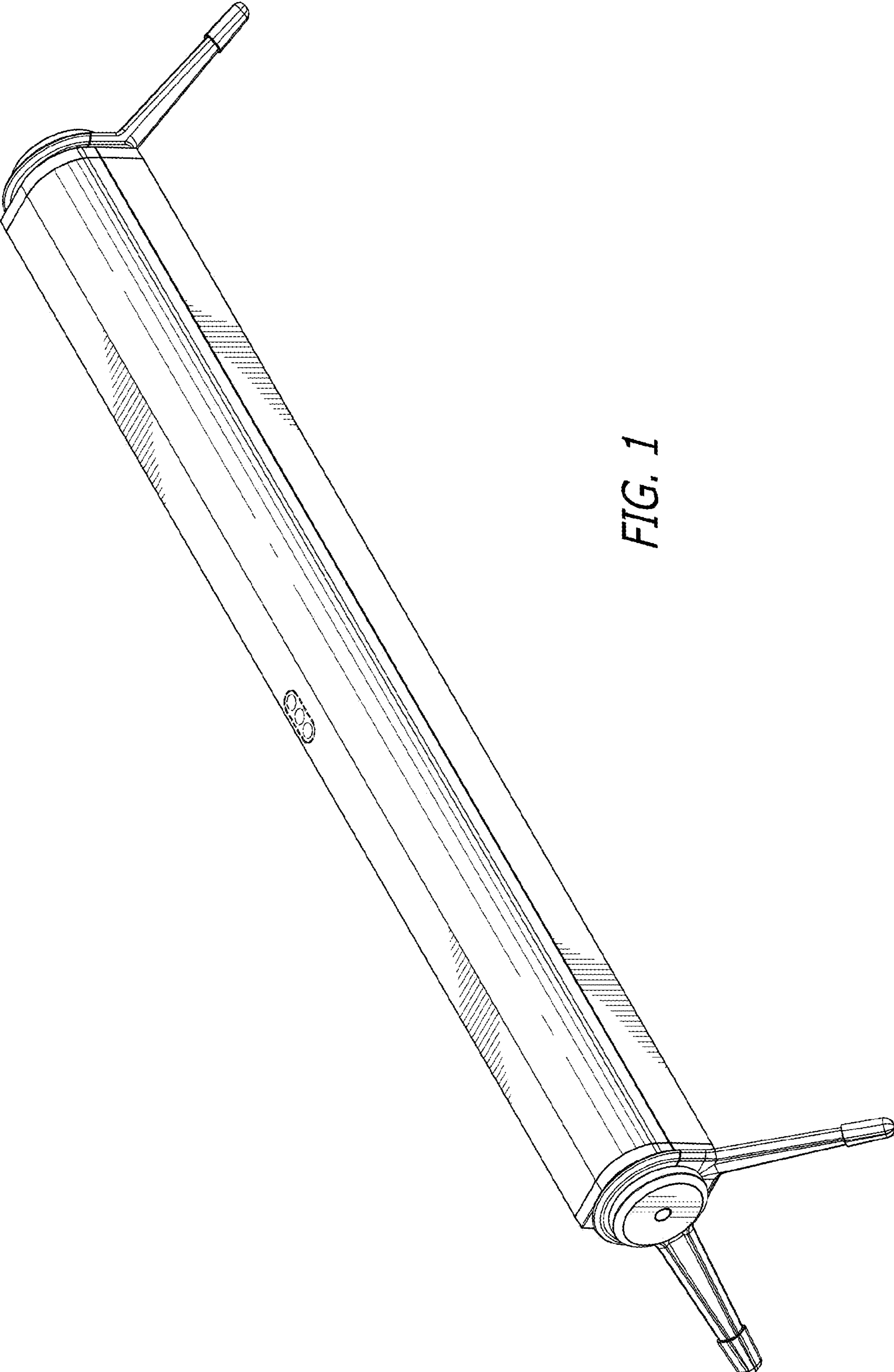


FIG. 1

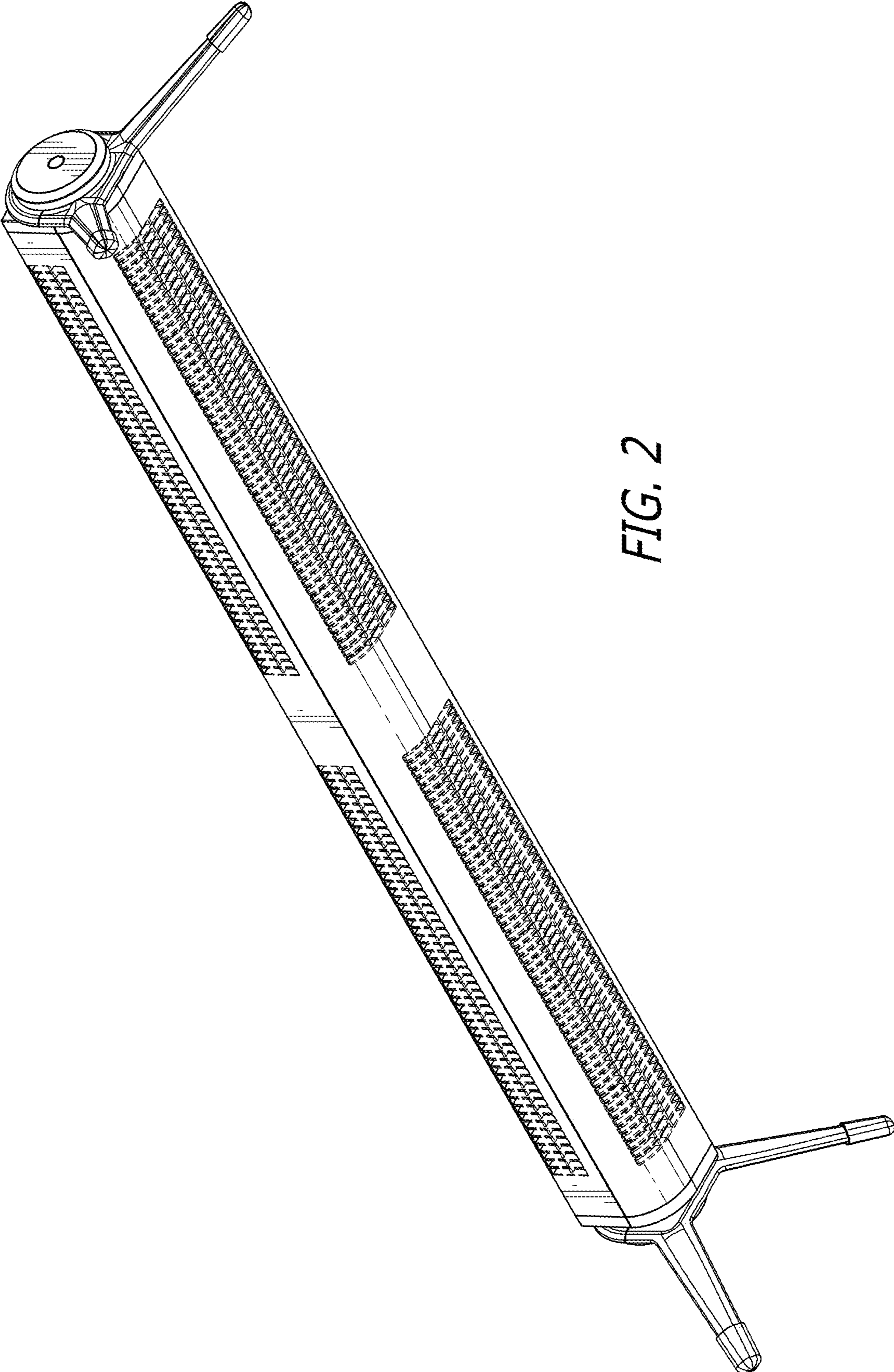


FIG. 2

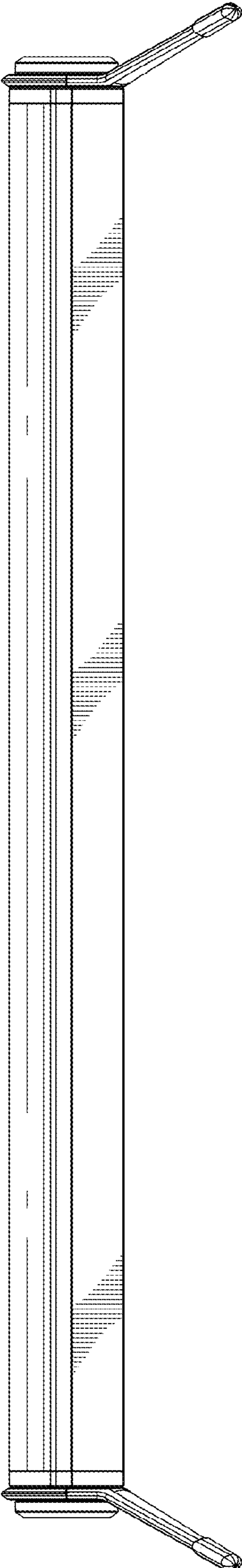


FIG. 3

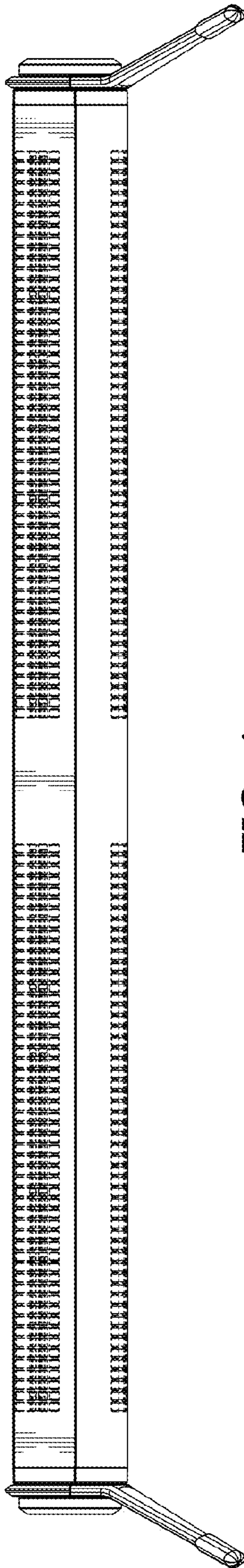


FIG. 4

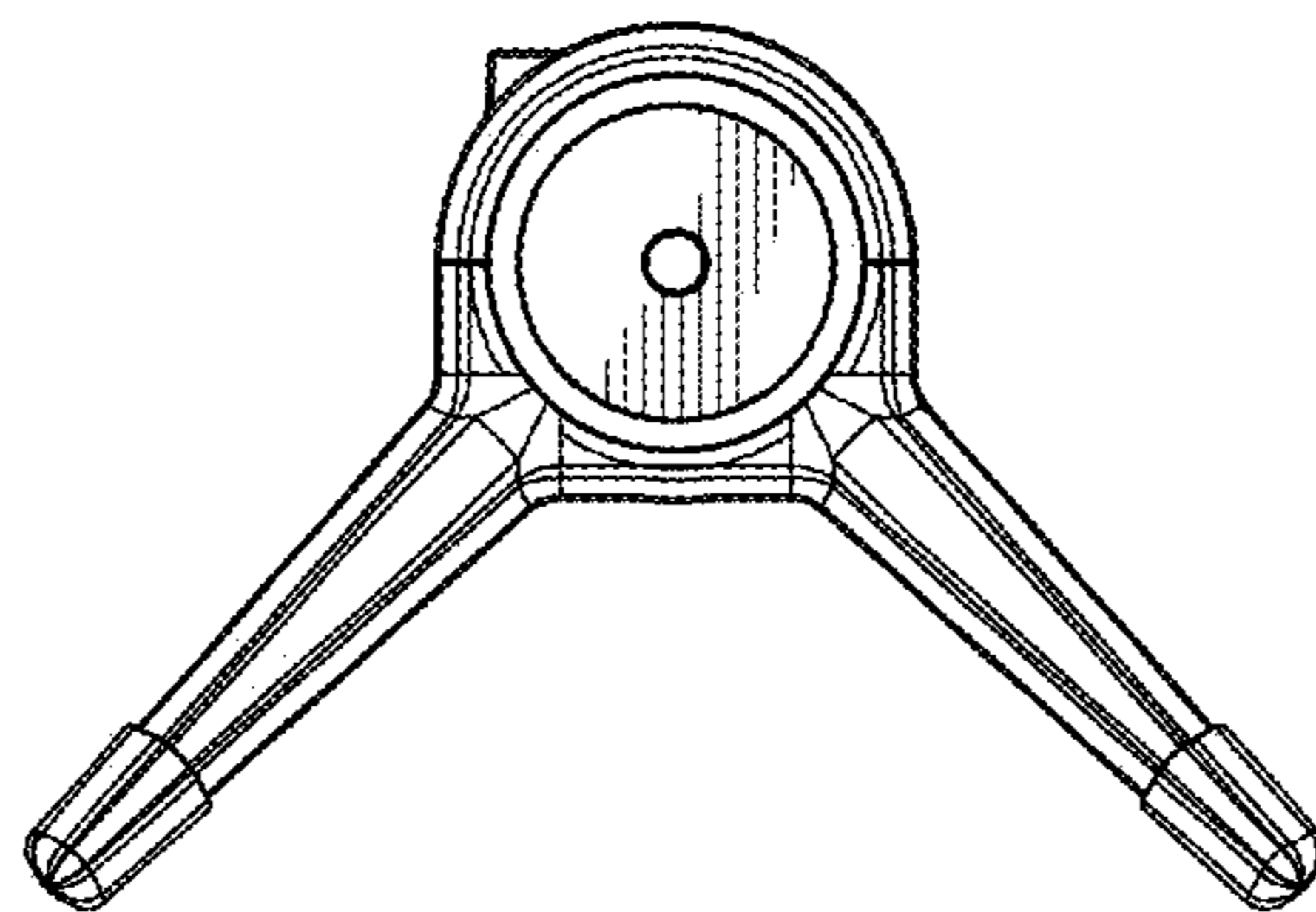


FIG. 5

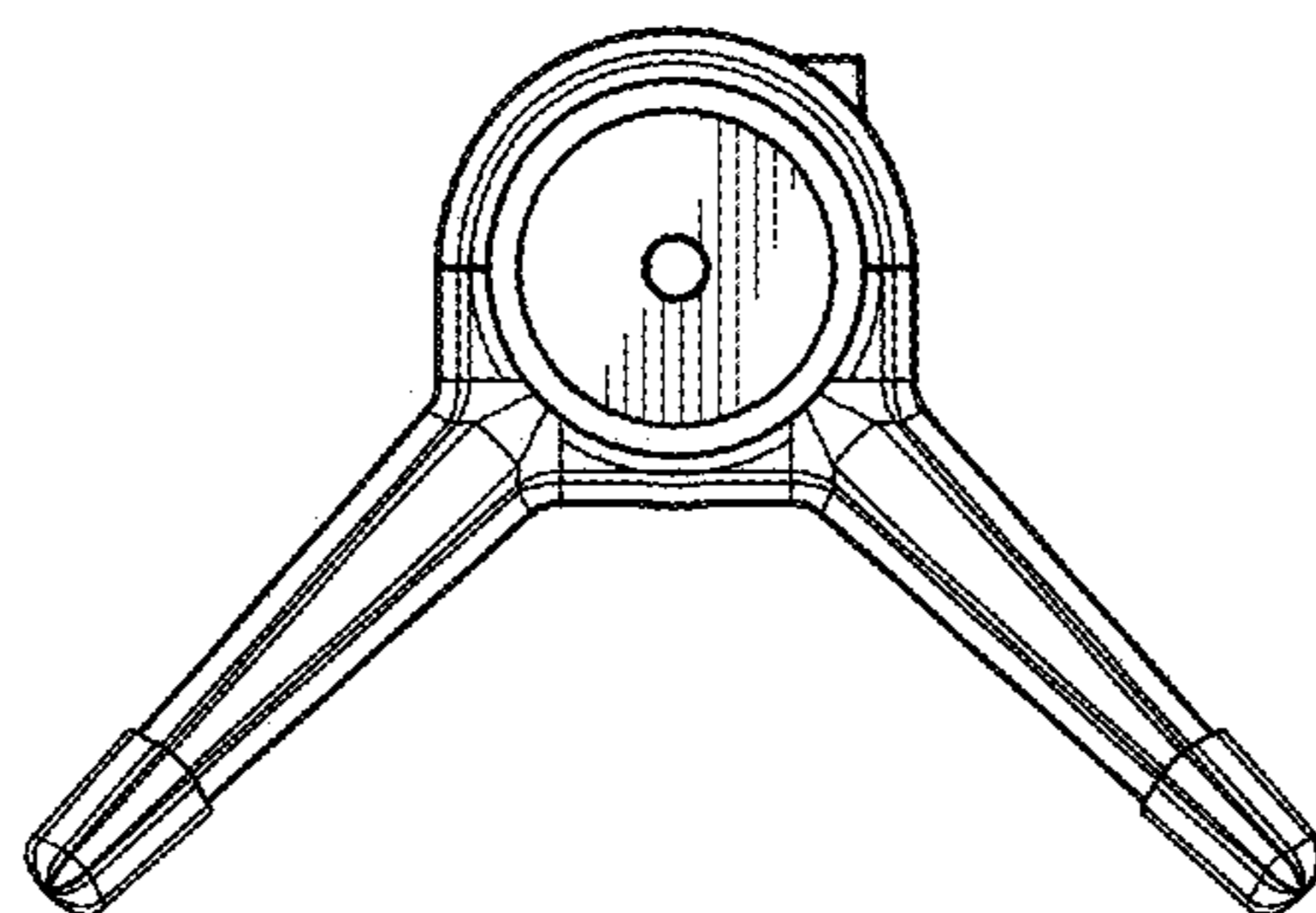


FIG. 6

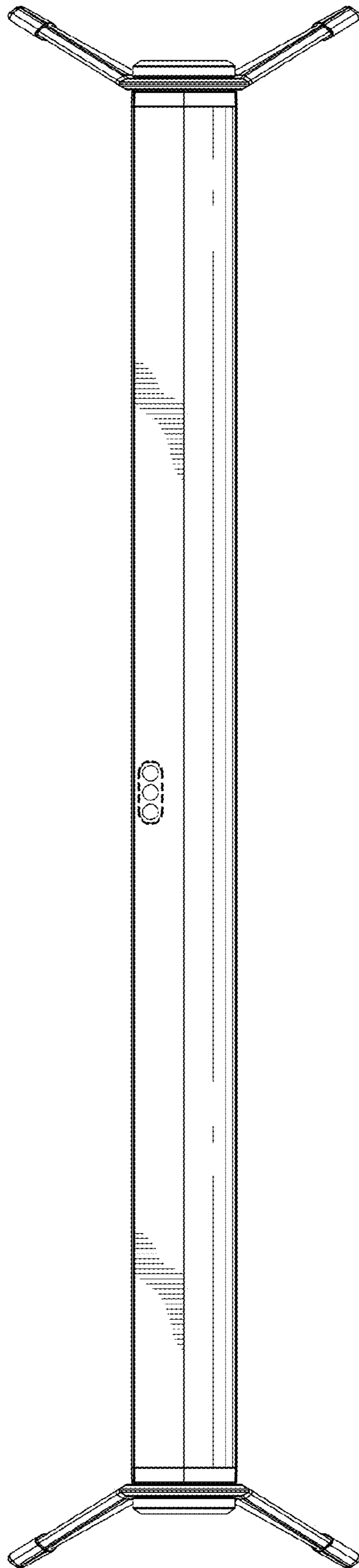


FIG. 7

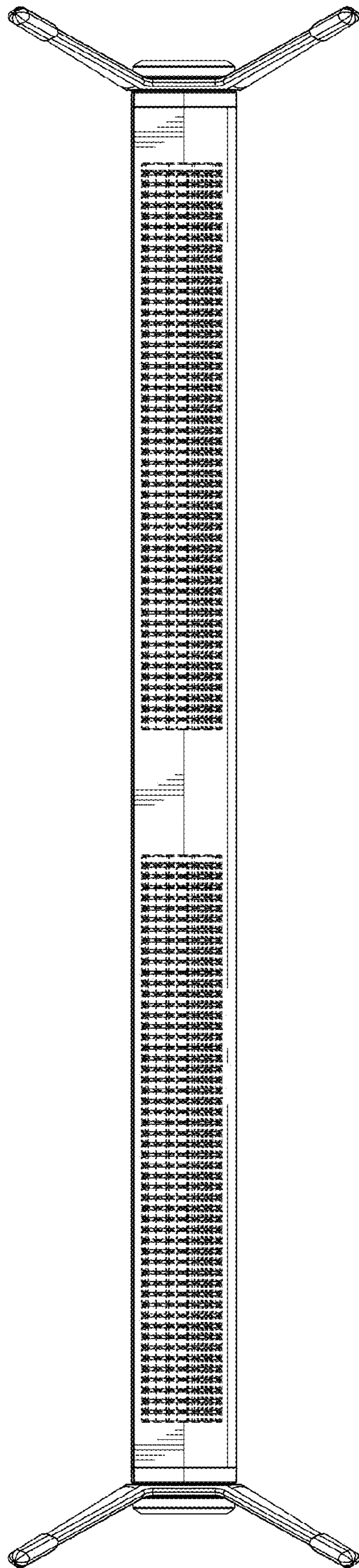


FIG. 8