



US00D979733S

(12) **United States Design Patent** (10) **Patent No.:** **US D979,733 S**
Pease et al. (45) **Date of Patent:** **** Feb. 28, 2023**

(54) **FAN**
(71) Applicant: **VORNADO AIR, LLC**, Andover, KS (US)
(72) Inventors: **Gregory Pease**, Andover, KS (US);
Brian Cartwright, Wichita, KS (US);
Cooper Phillips, Wichita, KS (US);
Byron Loibl, Wichita, KS (US)
(73) Assignee: **Vornado Air, LLC**, Andover, KS (US)
(**) Term: **15 Years**
(21) Appl. No.: **29/762,498**
(22) Filed: **Dec. 16, 2020**
(51) **LOC (14) Cl.** **23-04**
(52) **U.S. Cl.**
USPC **D23/370; D23/382**
(58) **Field of Classification Search**
USPC D23/328, 332–337, 341, 351, 352, 355,
D23/356, 364, 370, 378, 381–383,
D23/386–390, 411–412; D14/251–253
CPC F04D 25/0673; F04D 25/08; F04D 25/084;
F04D 25/086; F04D 29/4226
See application file for complete search history.

(56) **References Cited**
U.S. PATENT DOCUMENTS
D304,368 S * 10/1989 Suzuki D23/382
5,431,544 A * 7/1995 Hsu F04D 29/601
248/676
5,547,343 A * 8/1996 Jane F04D 29/601
416/246

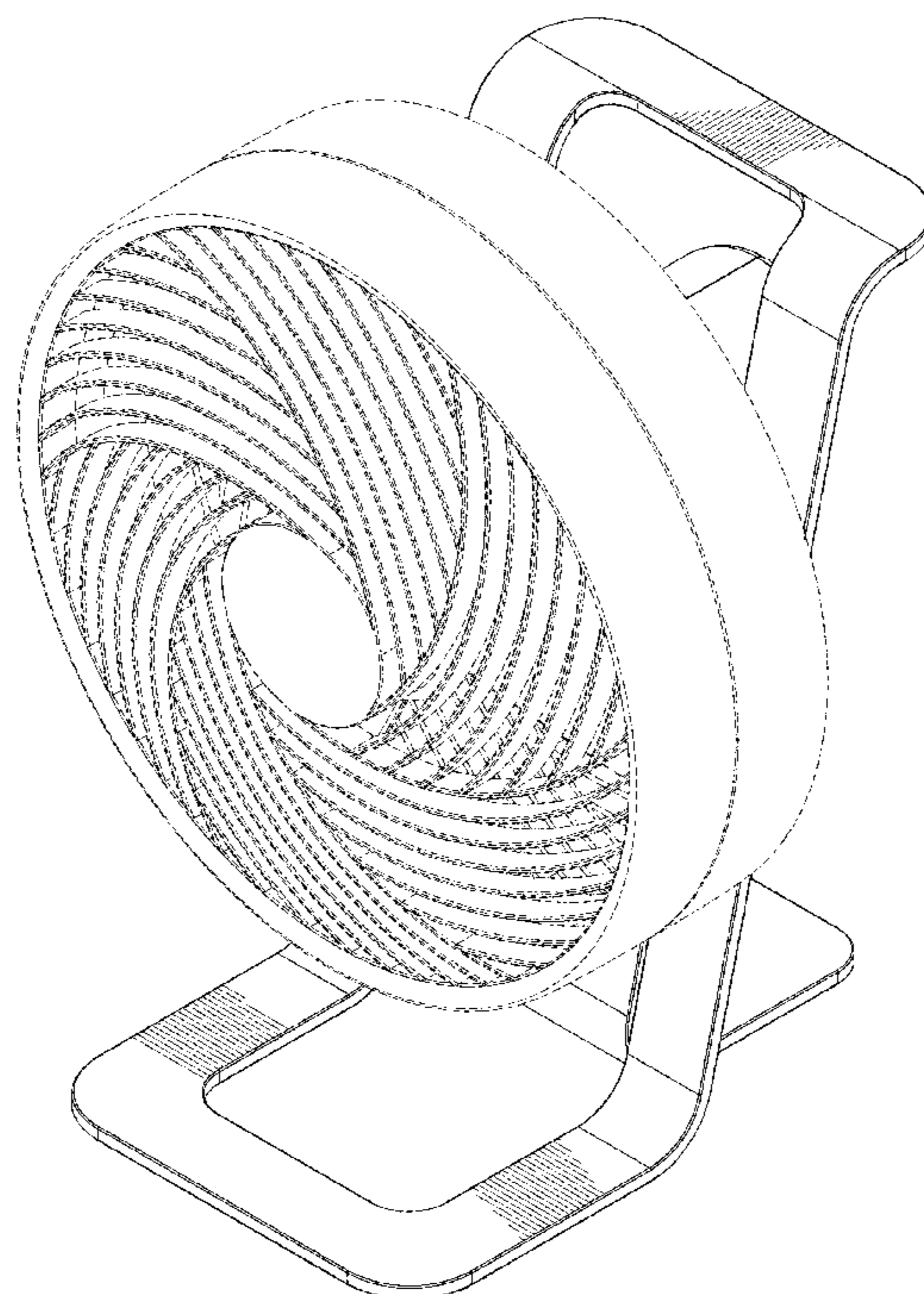
D416,321 S * 11/1999 Jane D23/382
D636,482 S * 4/2011 LeMay D23/388
D716,787 S * 11/2014 Takabatake D14/423
D830,531 S * 10/2018 Ediger D23/382
D844,690 S * 4/2019 Laurans D16/244
D861,002 S * 9/2019 Bergeron-Mirsky D6/675.3
D933,803 S * 10/2021 He D23/382
D938,410 S * 12/2021 Wang D14/447
D950,033 S * 4/2022 Peng D23/364
D951,424 S * 5/2022 Chen D23/382
D953,515 S * 5/2022 Hong D23/378
D953,516 S * 5/2022 Chen D23/382

* cited by examiner
Primary Examiner — Sharon S Oum
(74) *Attorney, Agent, or Firm* — Avyno Law P.C.

(57) **CLAIM**
We claim the ornamental design for a fan, as shown and described.

DESCRIPTION
FIG. 1 is a front perspective view of a fan of the present invention.
FIG. 2 is a rear perspective view of the fan of FIG. 1.
FIG. 3 is a front elevation view of the fan of FIG. 1.
FIG. 4 is a rear elevation view of the fan of FIG. 1.
FIG. 5 is a side elevation view of the right side of the fan of FIG. 1.
FIG. 6 is a side elevation view of the left side of the fan of FIG. 1.
FIG. 7 is a top plan view of the fan of FIG. 1; and,
FIG. 8 is a bottom plan view of the fan of FIG. 1.
In the drawings, the broken lines depict portions of a fan that form no part of the claimed design.

1 Claim, 8 Drawing Sheets



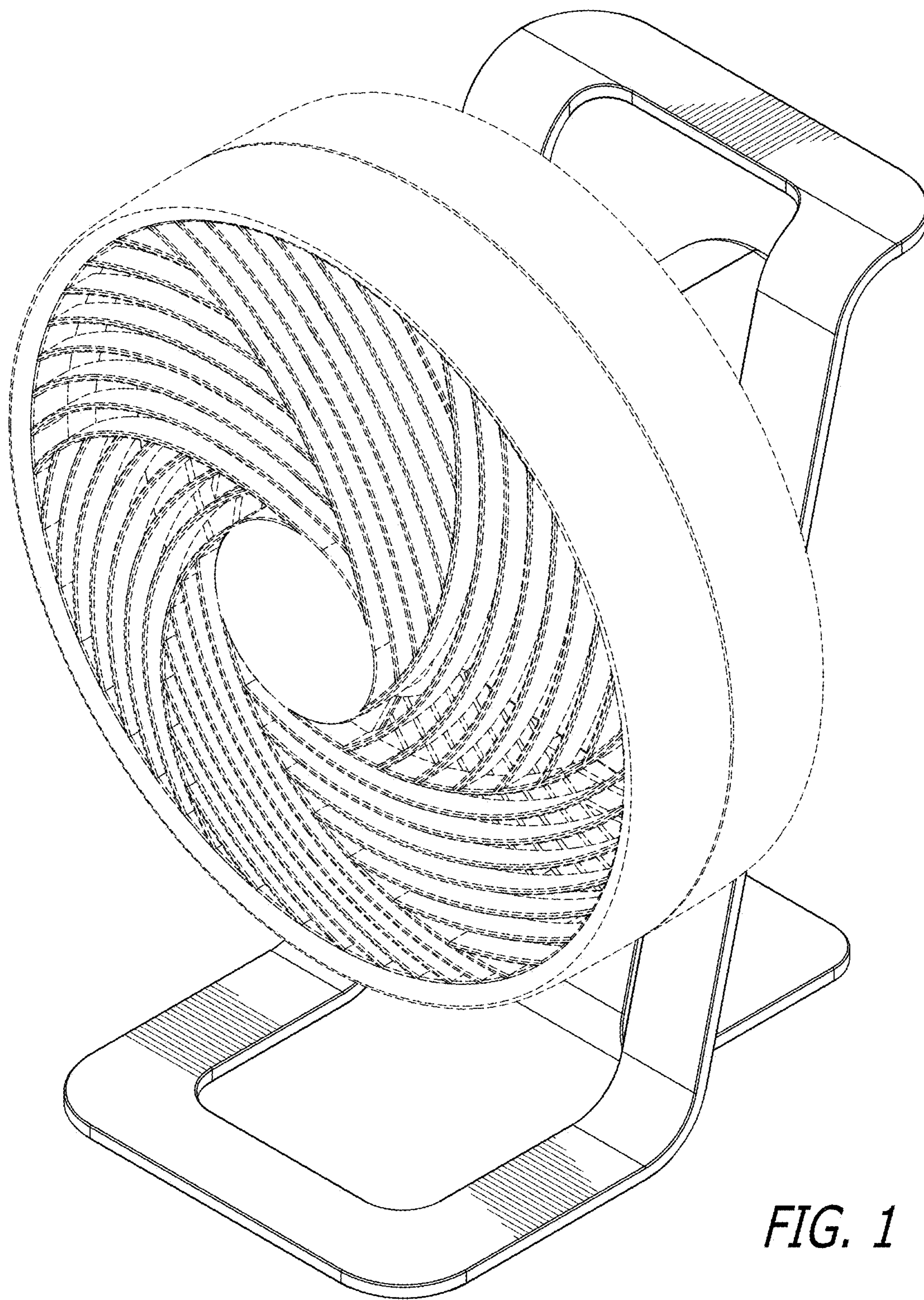


FIG. 1

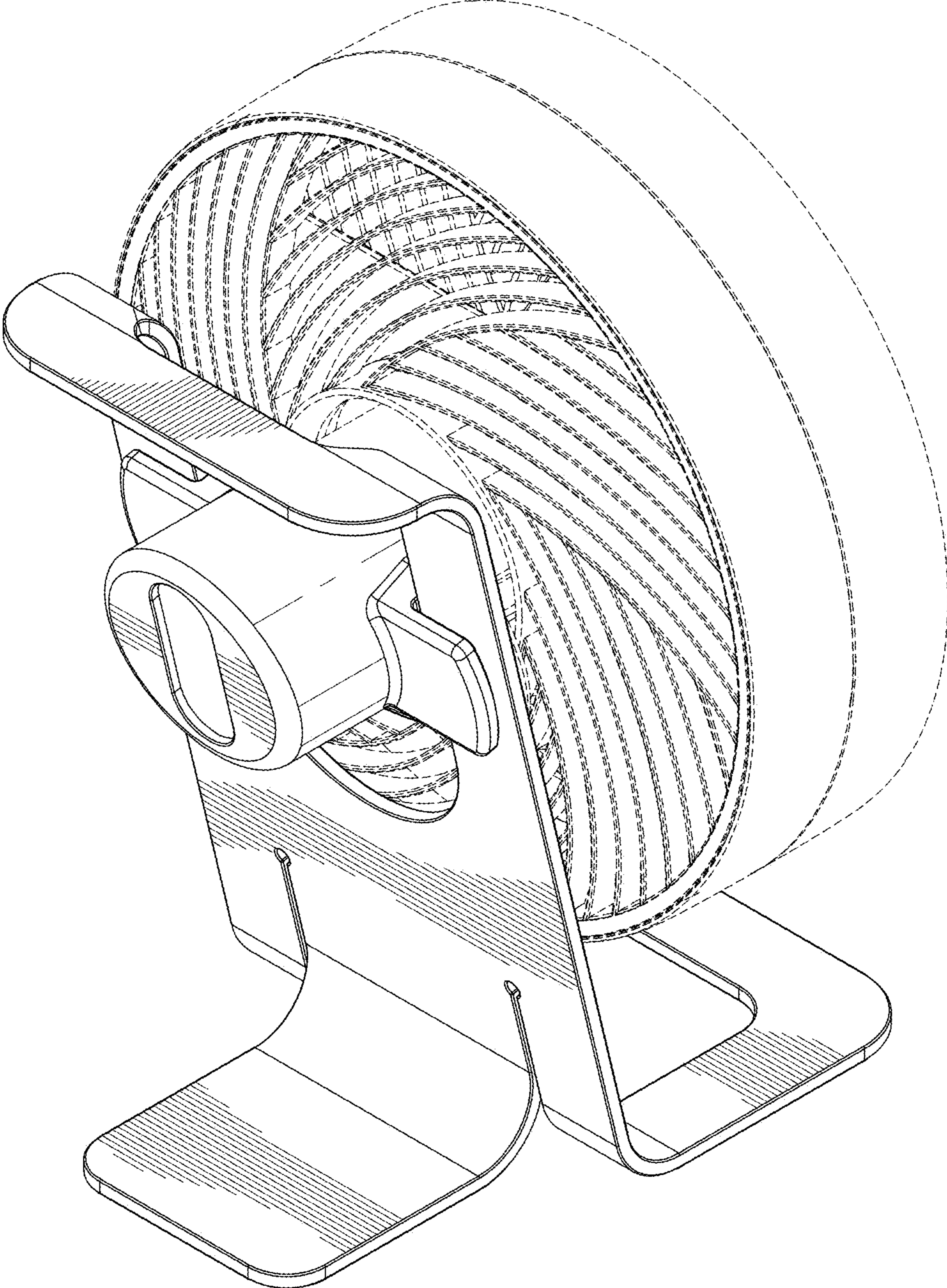


FIG. 2

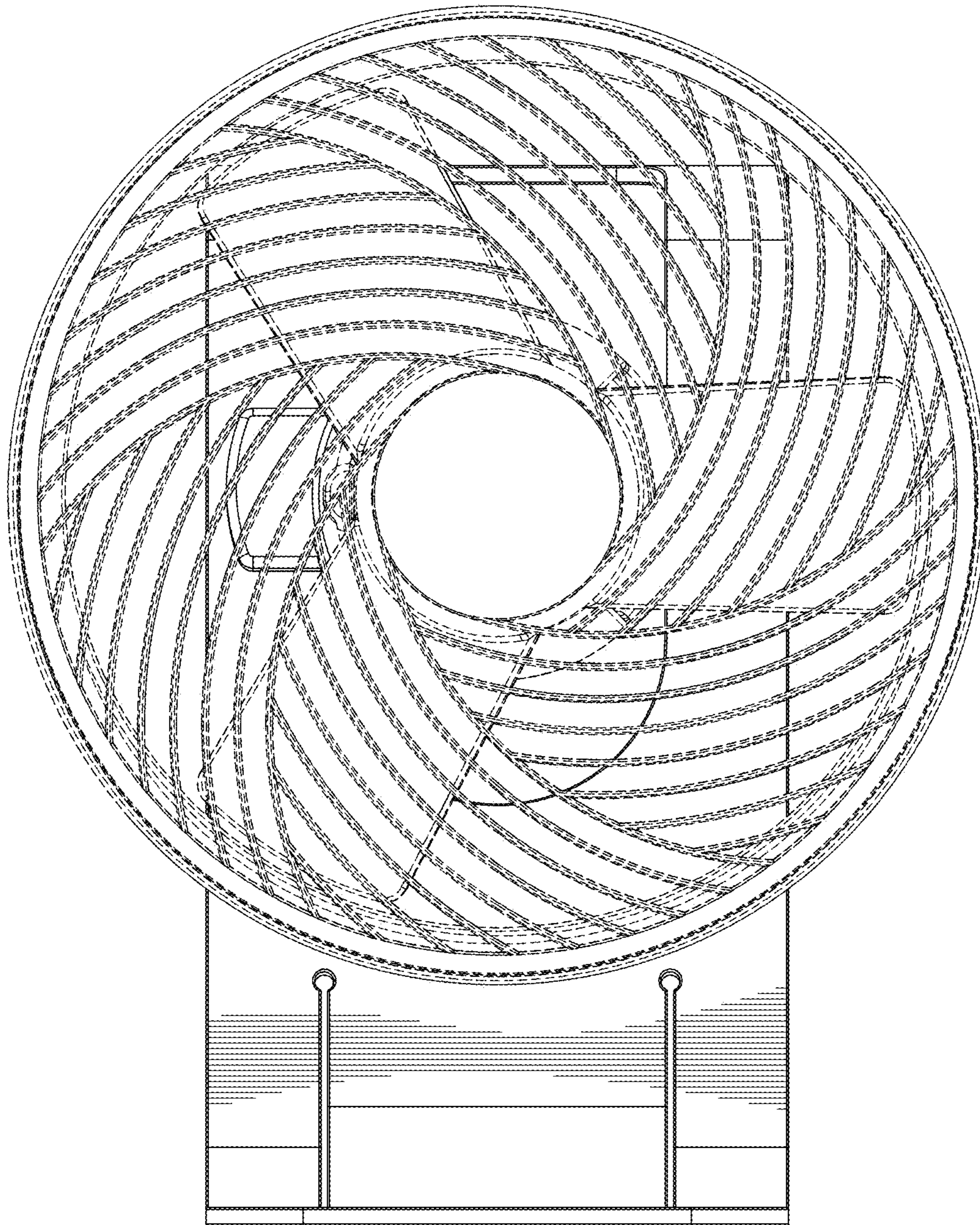


FIG. 3

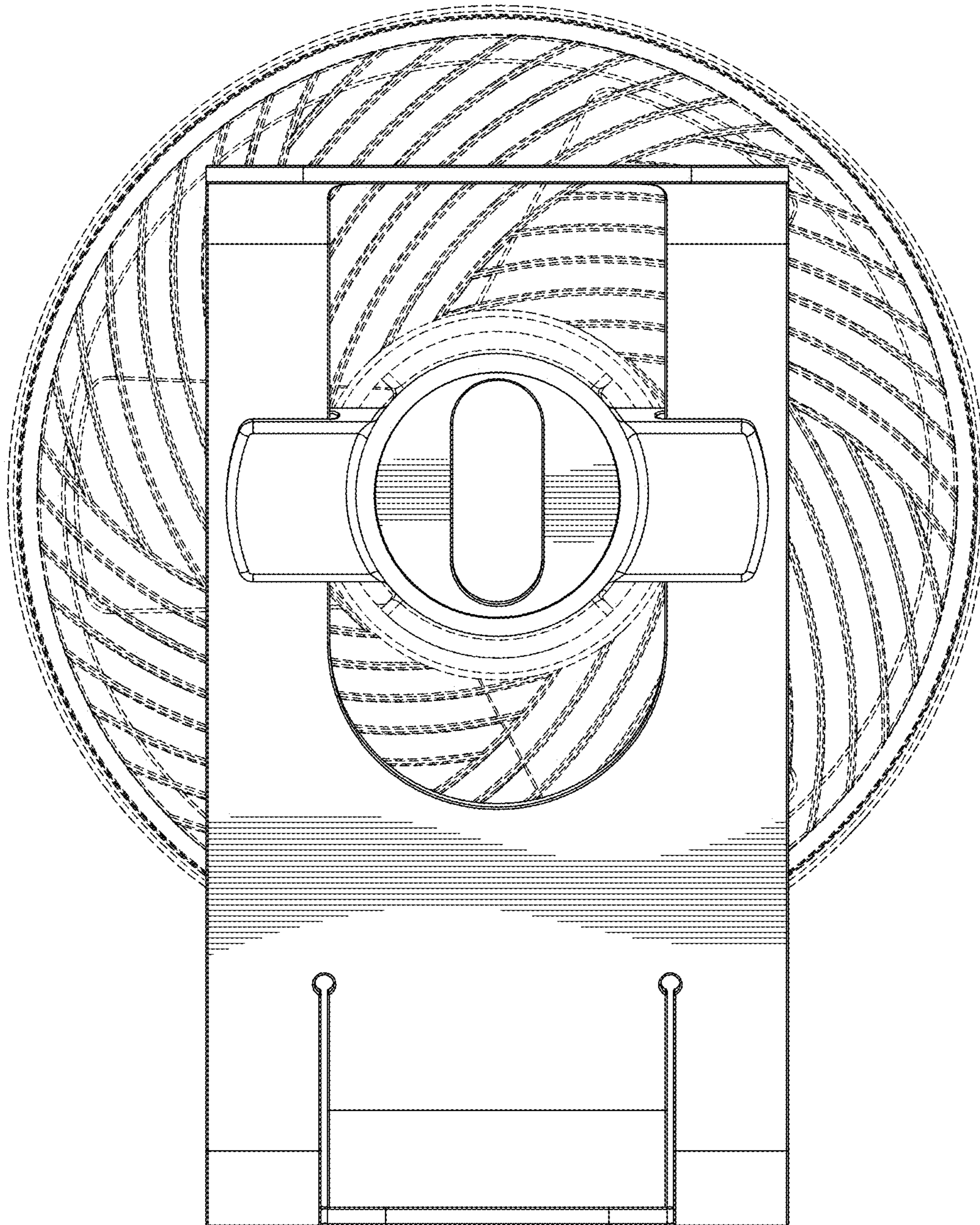


FIG. 4

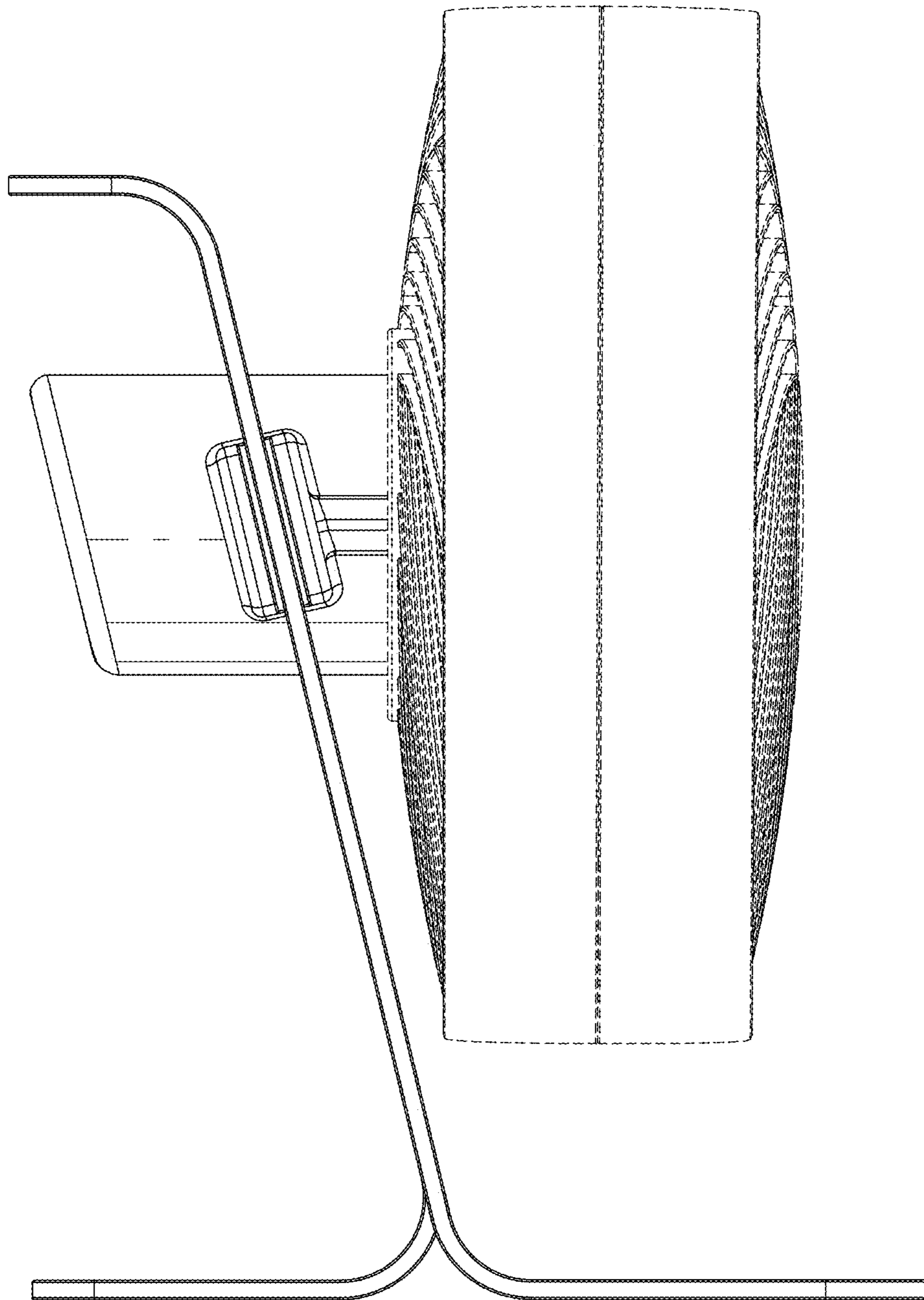


FIG. 5

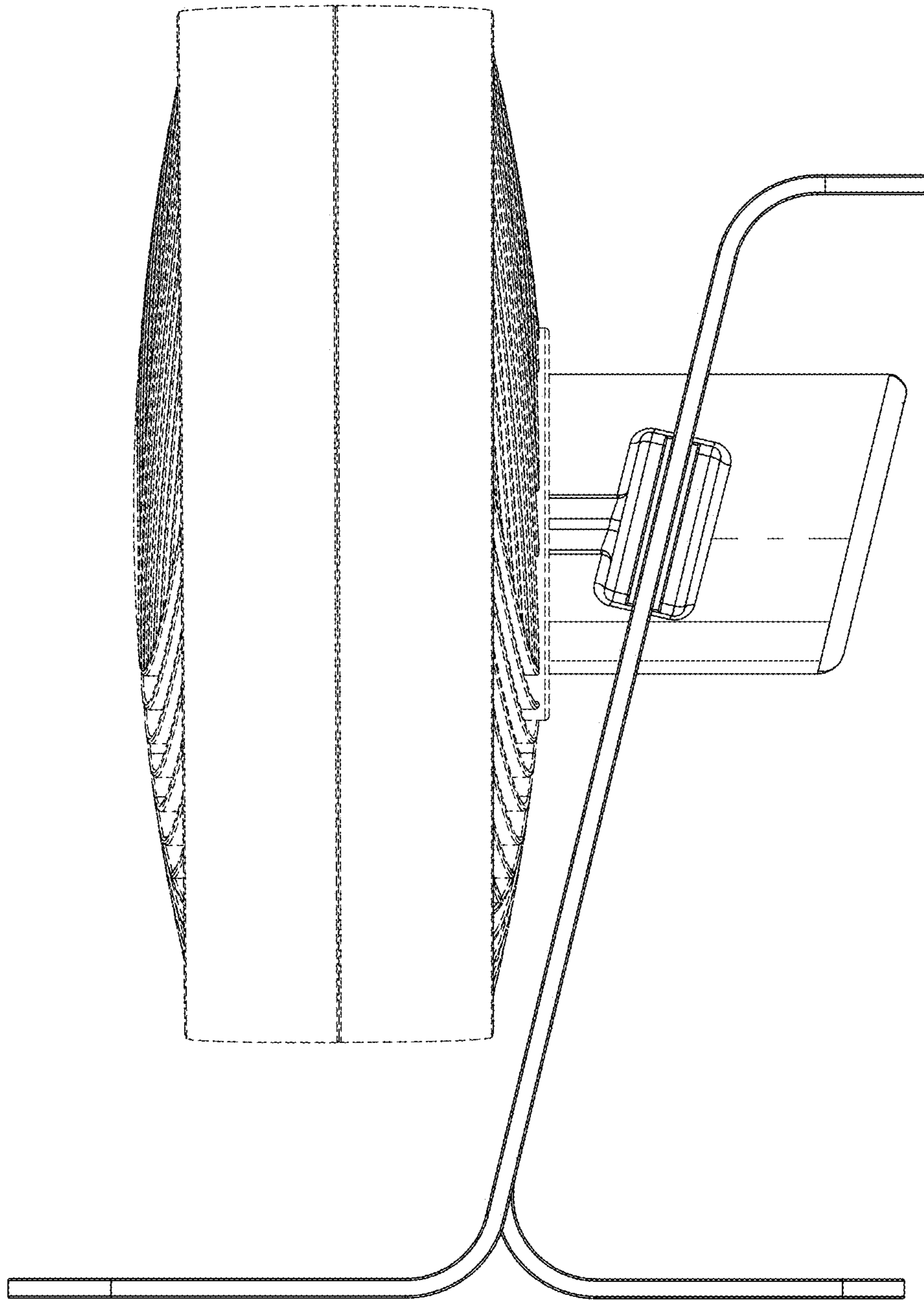


FIG. 6

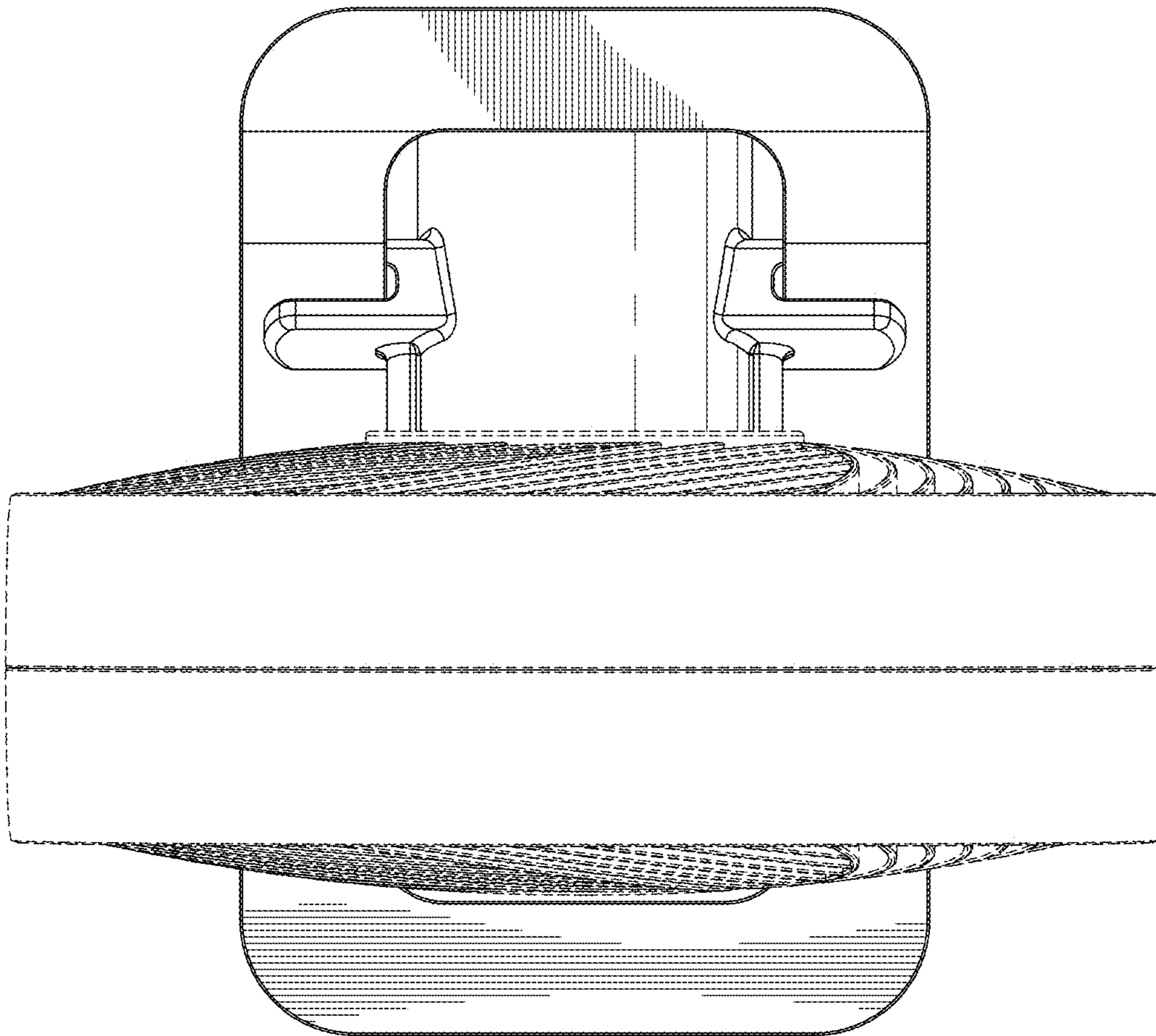


FIG. 7

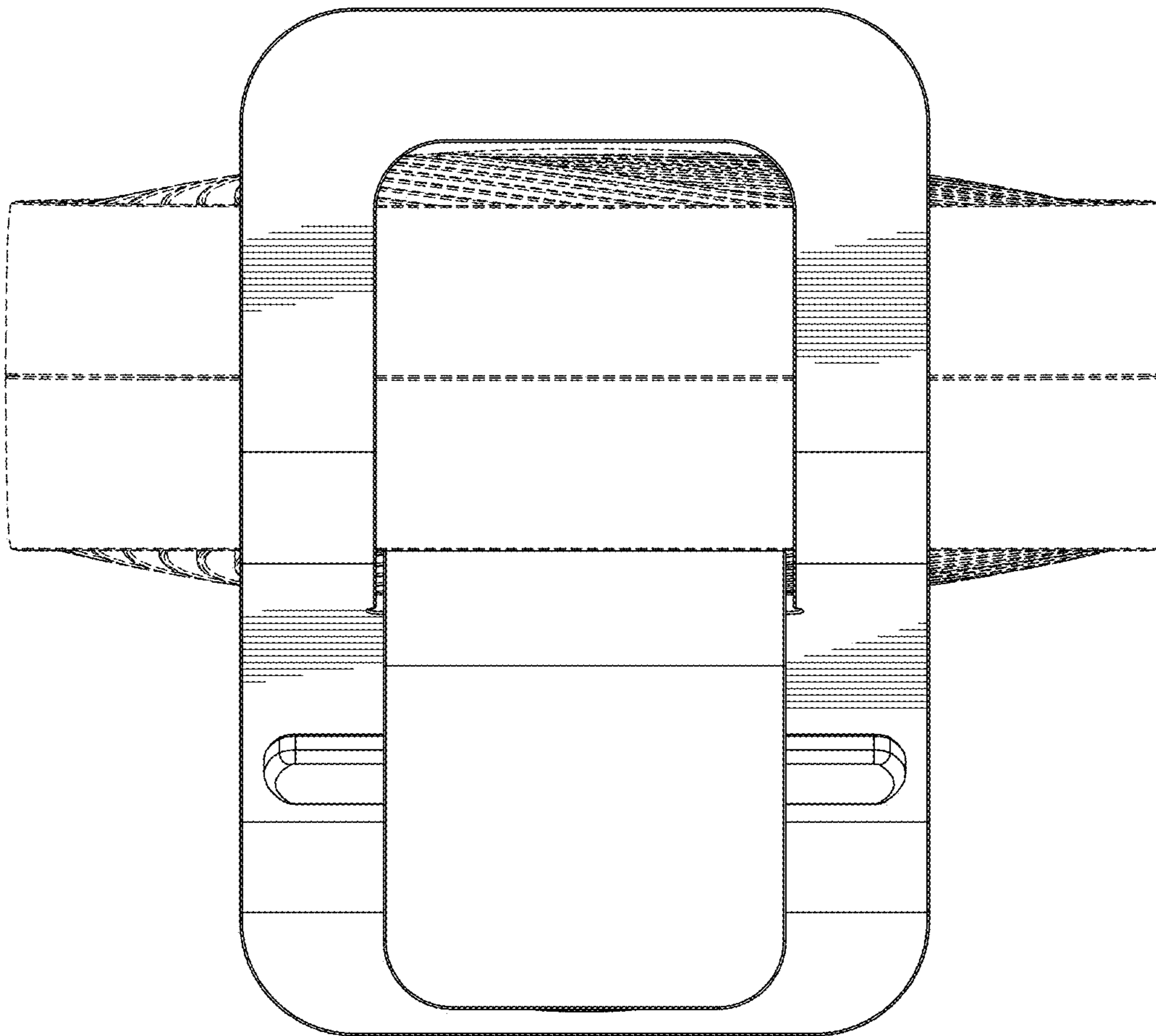


FIG. 8