



US00D979732S

(12) **United States Design Patent** (10) **Patent No.:** **US D979,732 S**  
**Pease et al.** (45) **Date of Patent:** **\*\* Feb. 28, 2023**

(54) **HAND-HELD FAN WITH BASE**  
(71) Applicant: **VORNADO AIR, LLC**, Andover, KS (US)  
(72) Inventors: **Gregory Pease**, Andover, KS (US);  
**Brian Cartwright**, Wichita, KS (US);  
**Cooper Phillips**, Wichita, KS (US);  
**Byron Loibl**, Wichita, KS (US)  
(73) Assignee: **Vornado Air, LLC**, Andover, KS (US)  
(\*\*) Term: **15 Years**  
(21) Appl. No.: **29/762,487**  
(22) Filed: **Dec. 16, 2020**  
(51) **LOC (14) Cl.** ..... **23-04**  
(52) **U.S. Cl.**  
USPC ..... **D23/370**; D23/382  
(58) **Field of Classification Search**  
USPC ..... D23/328, 332-337, 341, 351, 352, 355,  
D23/356, 364, 370, 378, 381-383,  
D23/386-390, 411-412; D14/251-253  
CPC .... F04D 25/0673; F04D 25/08; F04D 25/084;  
F04D 25/086; F04D 29/4226  
See application file for complete search history.

(56) **References Cited**  
U.S. PATENT DOCUMENTS  
D325,777 S \* 4/1992 Cook ..... D23/382  
5,547,343 A \* 8/1996 Jane ..... F04D 29/601  
416/246  
D416,321 S \* 11/1999 Jane ..... D23/382  
D636,482 S \* 4/2011 LeMay ..... D23/388  
D716,787 S \* 11/2014 Takabatake ..... D14/423  
D764,406 S \* 8/2016 Uchida ..... D13/108  
D844,690 S \* 4/2019 Laurans ..... D16/244  
D861,002 S \* 9/2019 Bergeron-Mirsky ..... D6/675.3

(Continued)

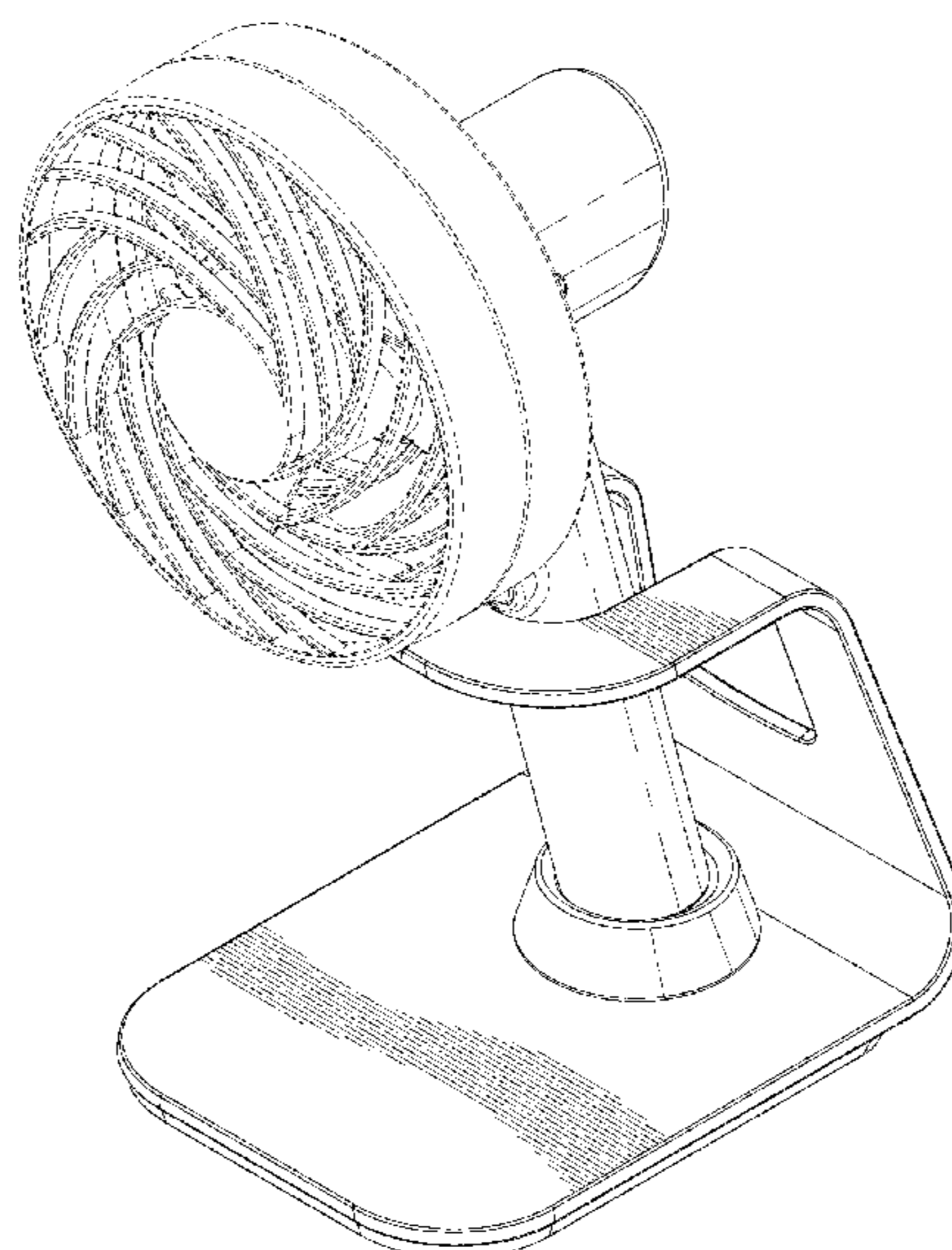
Primary Examiner — Sharon S Oum

(74) *Attorney, Agent, or Firm* — Avyno Law P.C.  
(57) **CLAIM**  
We claim the ornamental design for a hand-held fan with base, as shown and described.

**DESCRIPTION**

FIG. 1 is a front perspective view of a hand-held fan with base of the present invention.  
FIG. 2 is a front perspective view of the hand-held fan with base of FIG. 1 with the hand-held fan removed from the base.  
FIG. 3 is a front perspective view of the base of FIG. 1 shown separately for completeness of illustration.  
FIG. 4 is a rear perspective view of the base of FIG. 3.  
FIG. 5 is a front elevation view of the base of FIG. 3.  
FIG. 6 is a rear elevation view of the base of FIG. 3.  
FIG. 7 is a side elevation view of the right side of the base of FIG. 3.  
FIG. 8 is a side elevation view of the left side of the base of FIG. 3.  
FIG. 9 is a top plan view of the base of FIG. 3.  
FIG. 10 is a bottom plan view of the base of FIG. 3.  
FIG. 11 is a front perspective view of the hand-held fan of FIG. 1 shown separately for completeness of illustration.  
FIG. 12 is a rear perspective view of the hand-held fan of FIG. 11.  
FIG. 13 is a front elevation view of the hand-held fan of FIG. 11.  
FIG. 14 is a rear elevation view of the hand-held fan of FIG. 11.  
FIG. 15 is a side elevation view of the right side of the hand-held fan of FIG. 11.  
FIG. 16 is a side elevation view of the left side of the hand-held fan of FIG. 11.  
FIG. 17 is a top plan view of the hand-held fan of FIG. 11; and,  
FIG. 18 is a bottom plan view of the fan of FIG. 11.  
In the drawings, the broken lines depict portions of the hand-held fan that form no part of the claimed design.

**1 Claim, 14 Drawing Sheets**



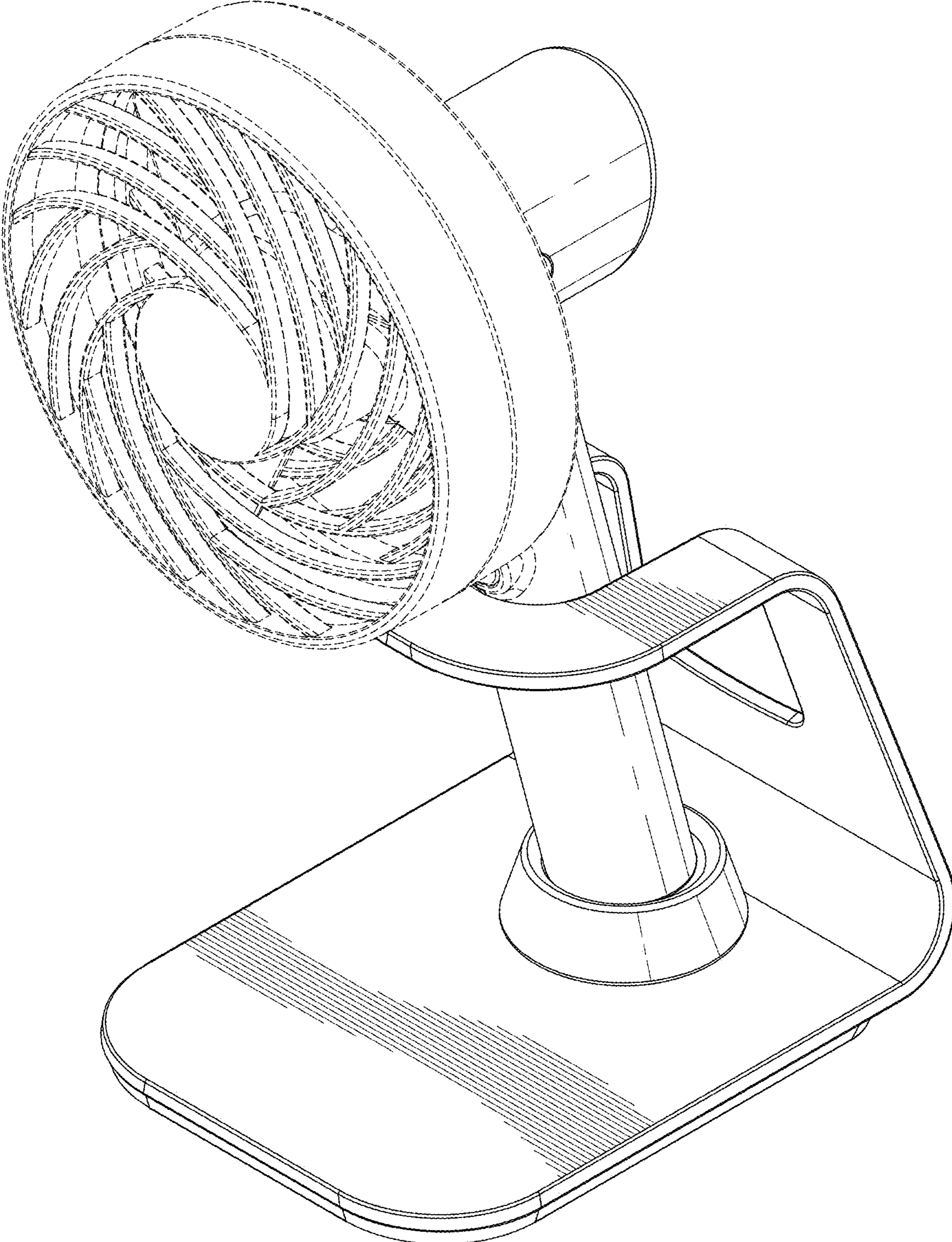
(56)

**References Cited**

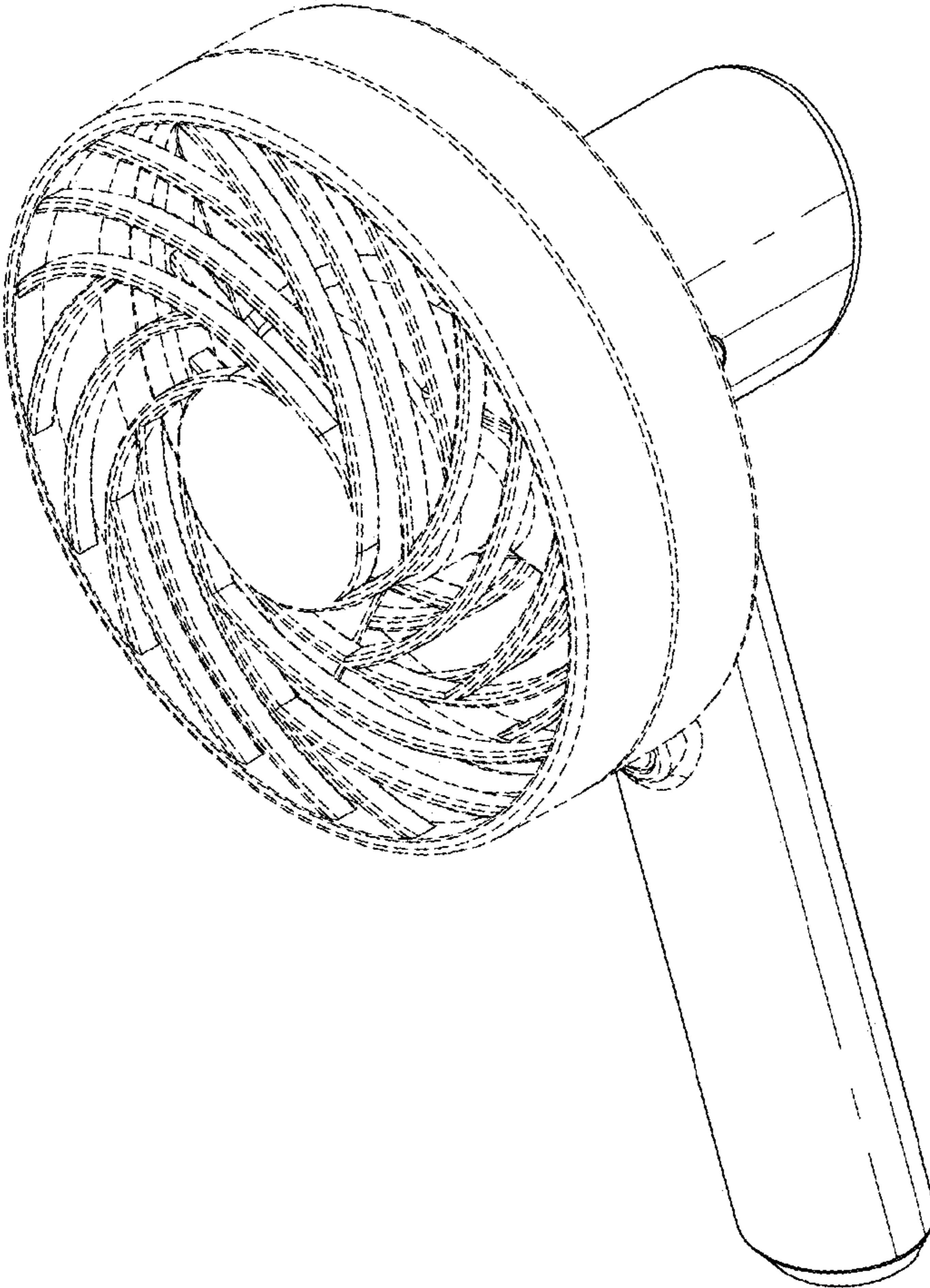
U.S. PATENT DOCUMENTS

|              |    |   |         |            |       |             |
|--------------|----|---|---------|------------|-------|-------------|
| D885,555     | S  | * | 5/2020  | Wang       | ..... | D23/382     |
| D902,374     | S  | * | 11/2020 | Li         | ..... | D23/382     |
| D929,986     | S  | * | 9/2021  | Chen       | ..... | D14/253     |
| D933,803     | S  | * | 10/2021 | He         | ..... | D23/382     |
| D940,294     | S  | * | 1/2022  | Park       | ..... | D23/382     |
| D950,033     | S  | * | 4/2022  | Peng       | ..... | D23/364     |
| D951,424     | S  | * | 5/2022  | Chen       | ..... | D23/382     |
| D952,117     | S  | * | 5/2022  | Gao        | ..... | D23/370     |
| D952,118     | S  | * | 5/2022  | Gao        | ..... | D23/370     |
| D953,515     | S  | * | 5/2022  | Hong       | ..... | D23/378     |
| D953,516     | S  | * | 5/2022  | Chen       | ..... | D23/382     |
| 2021/0062822 | A1 | * | 3/2021  | Manchester | ..... | F04D 25/084 |

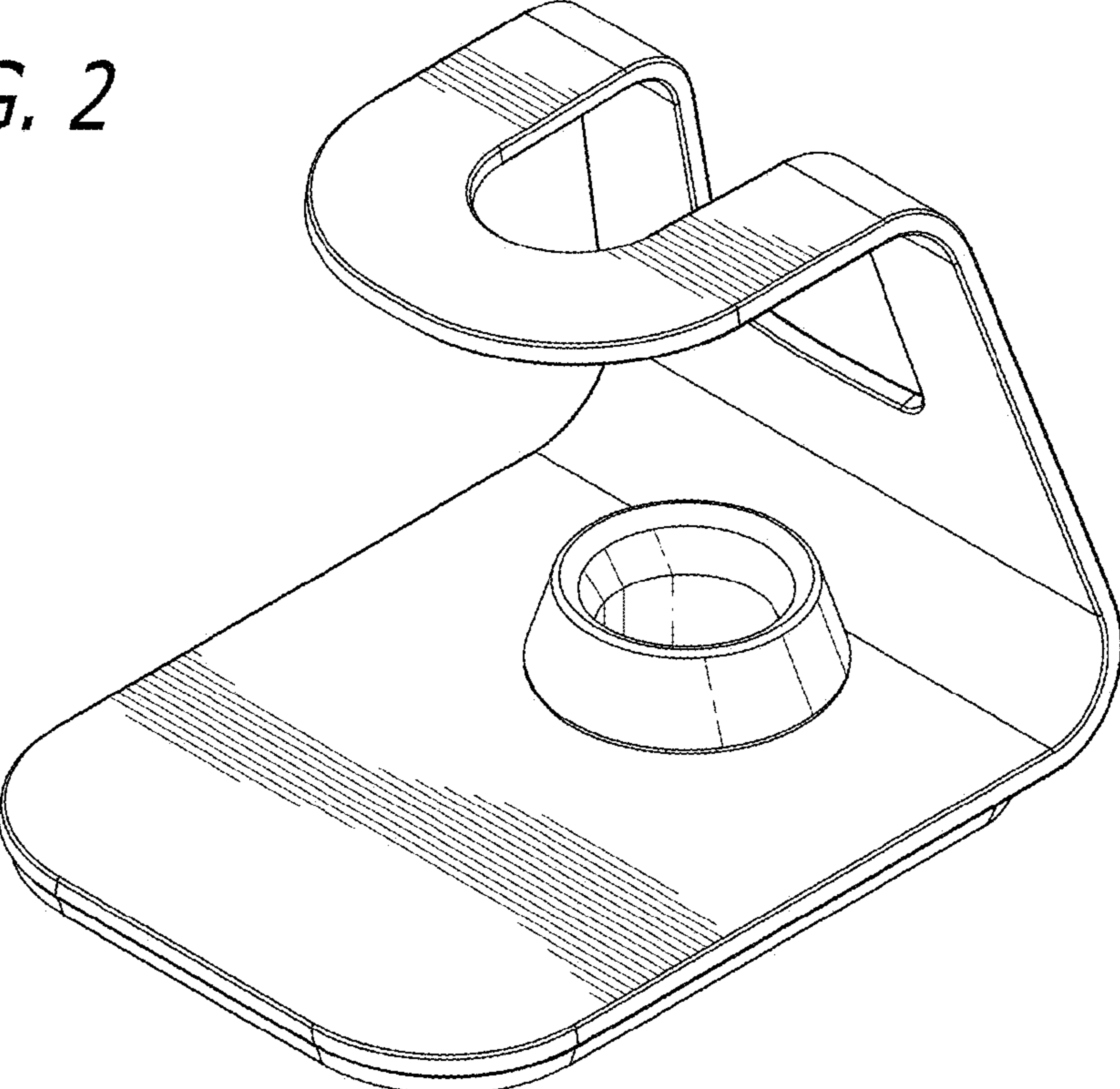
\* cited by examiner

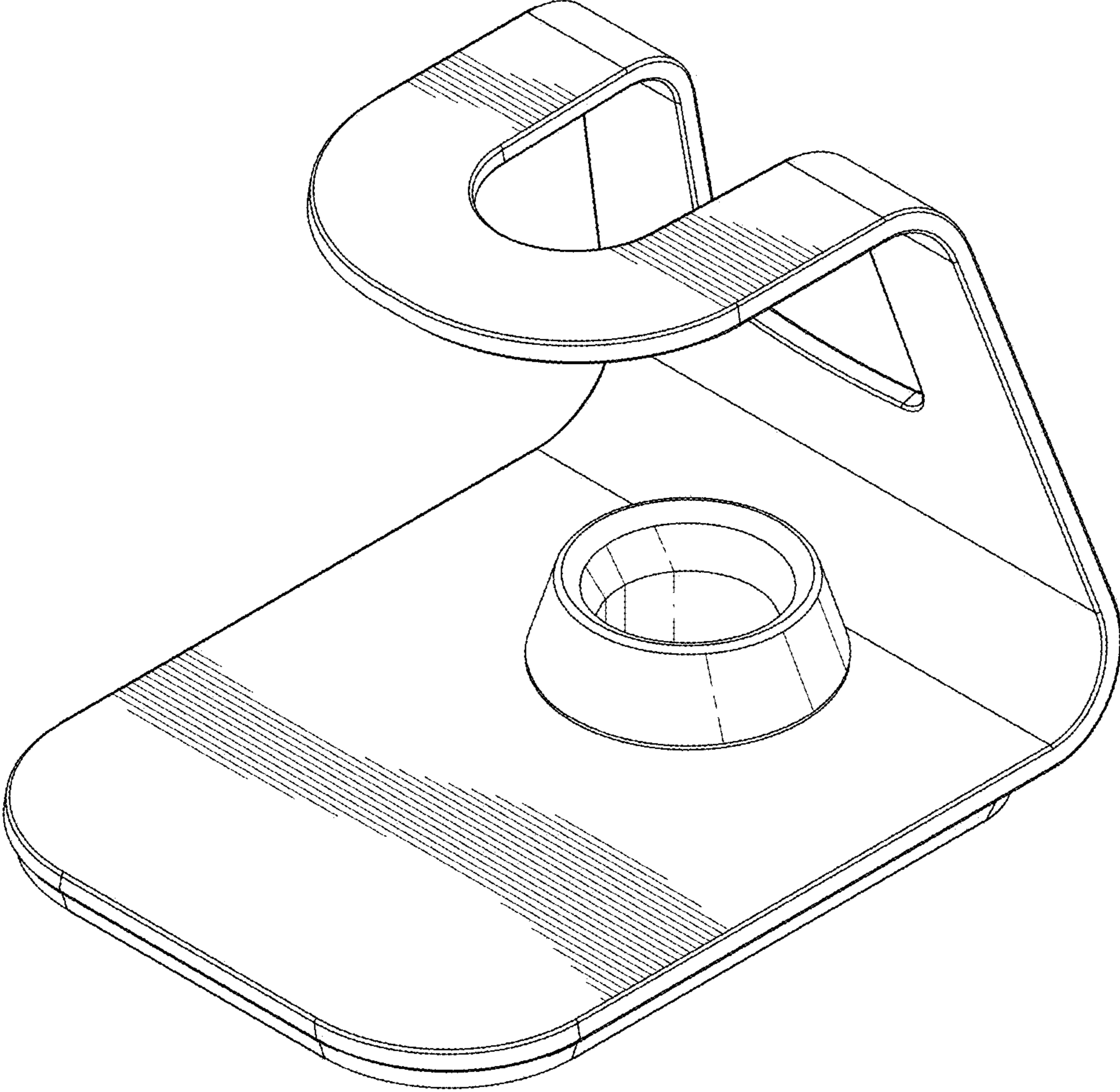


*FIG. 1*

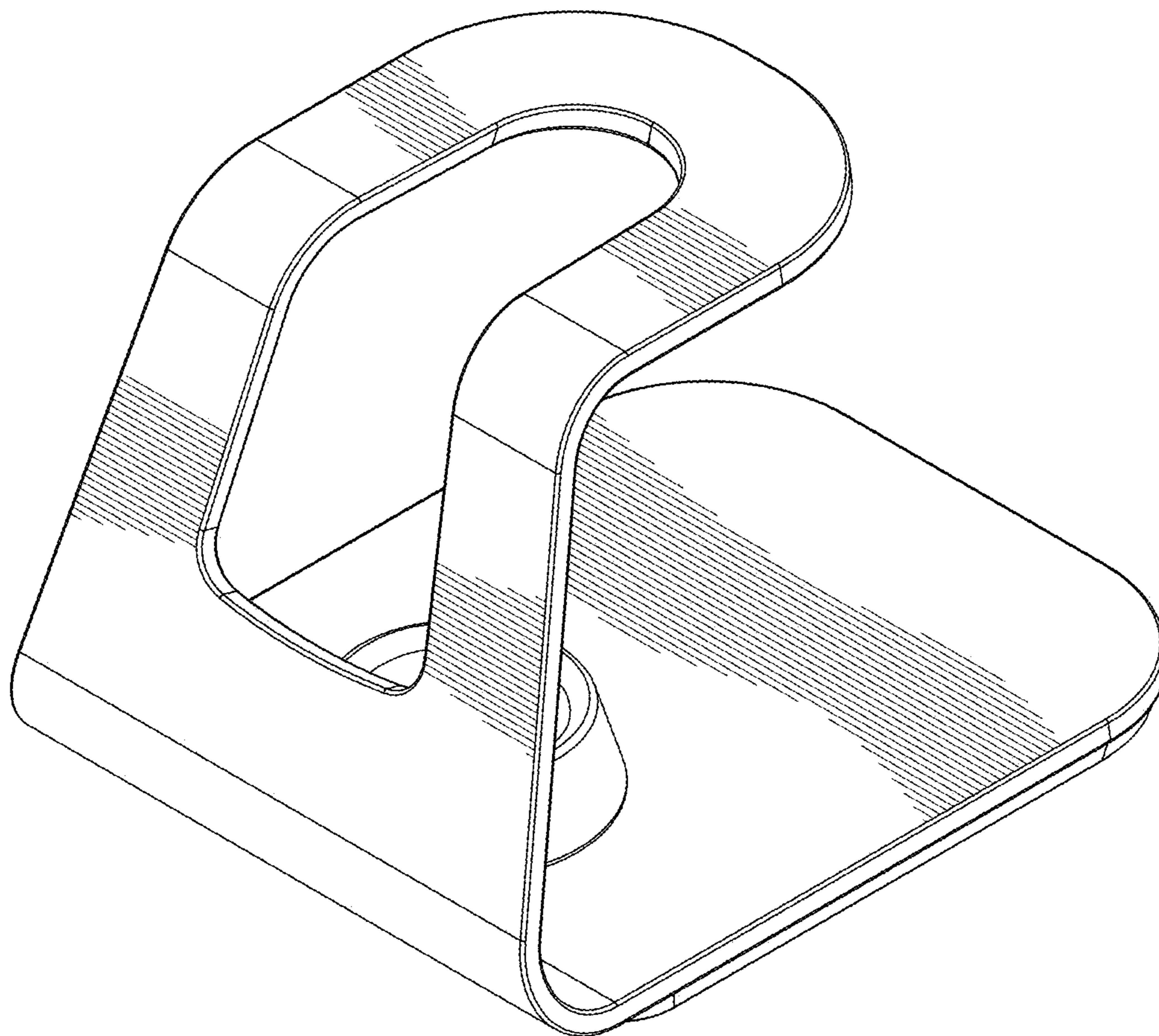


*FIG. 2*

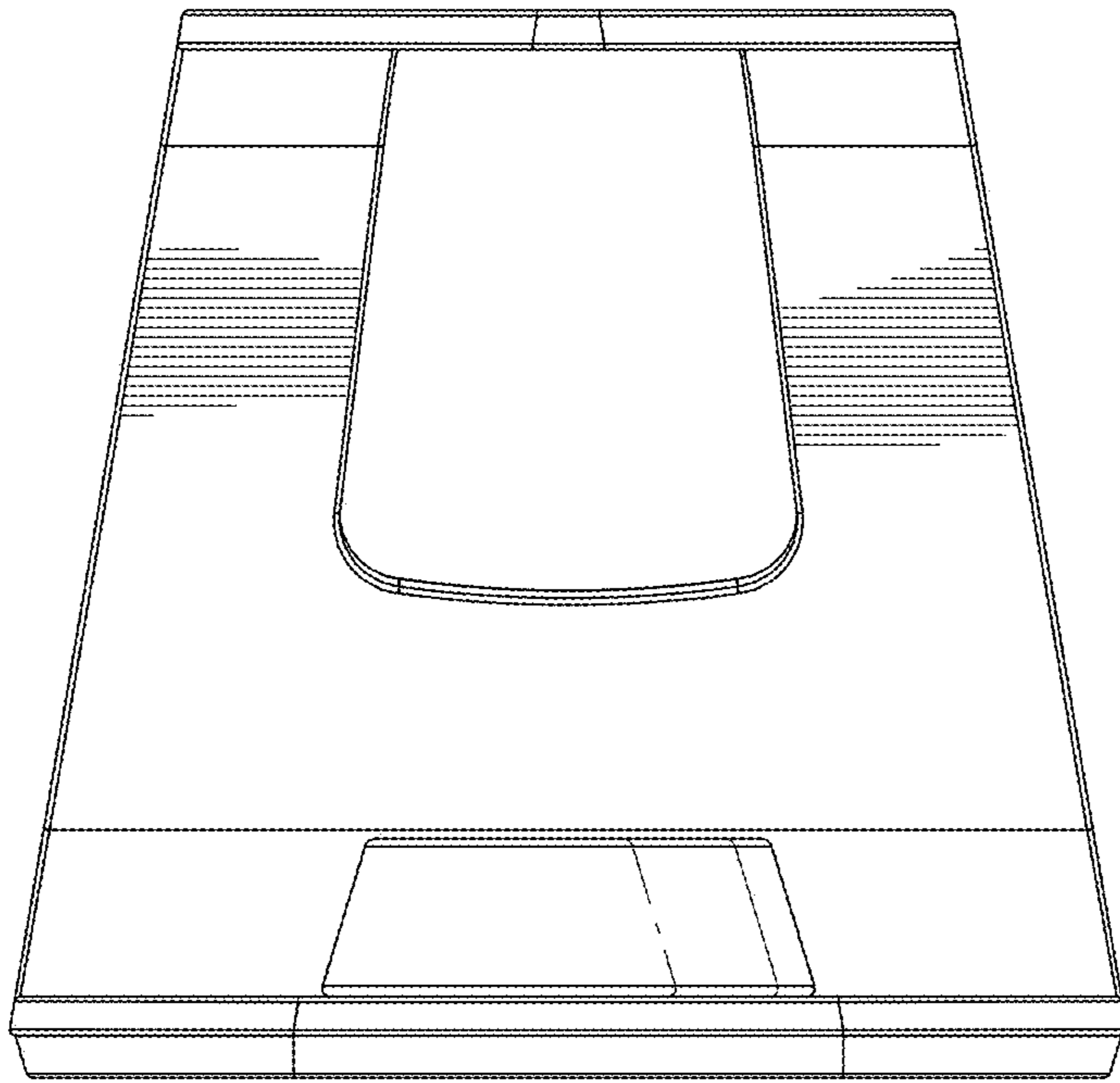




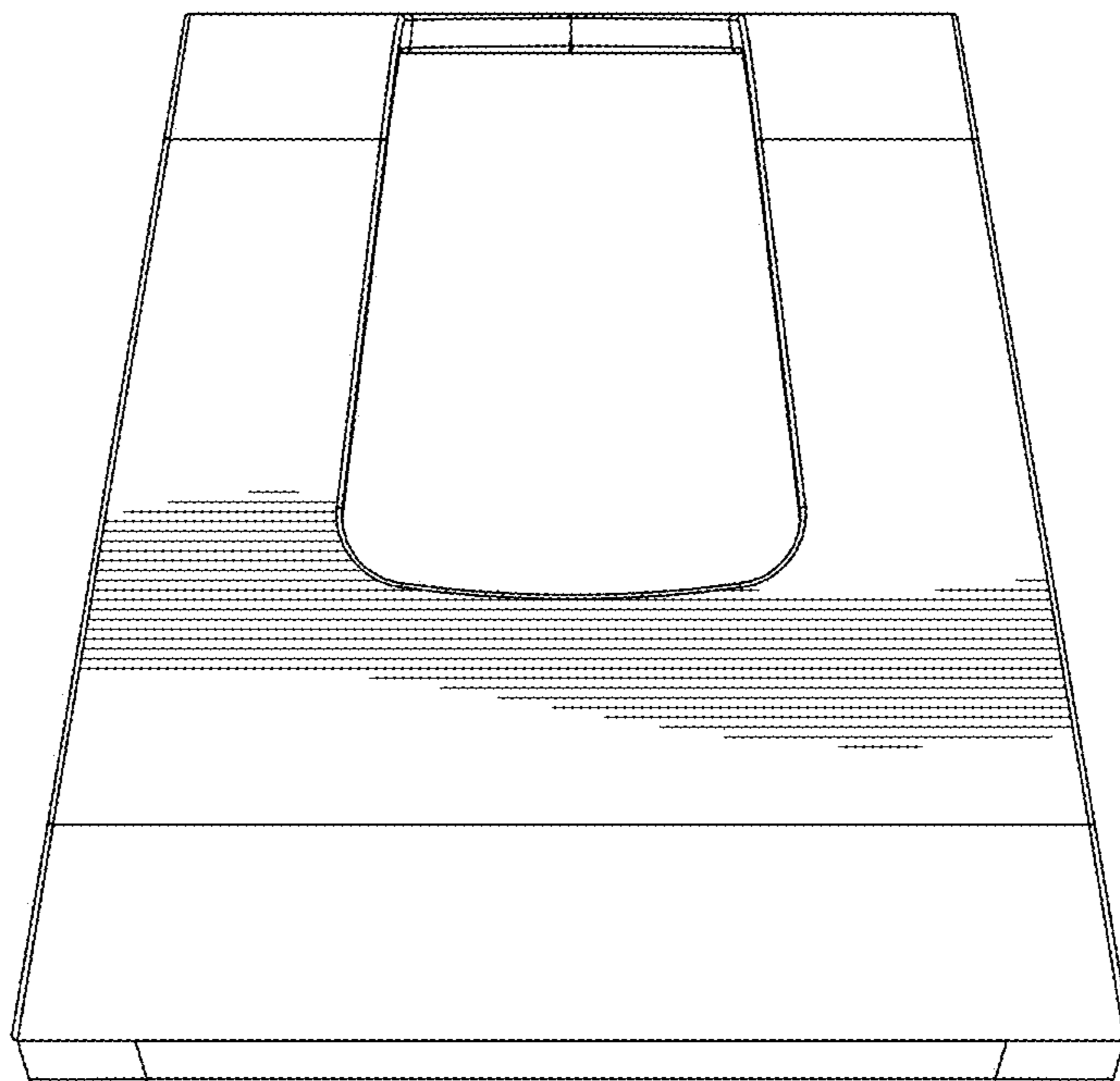
*FIG. 3*



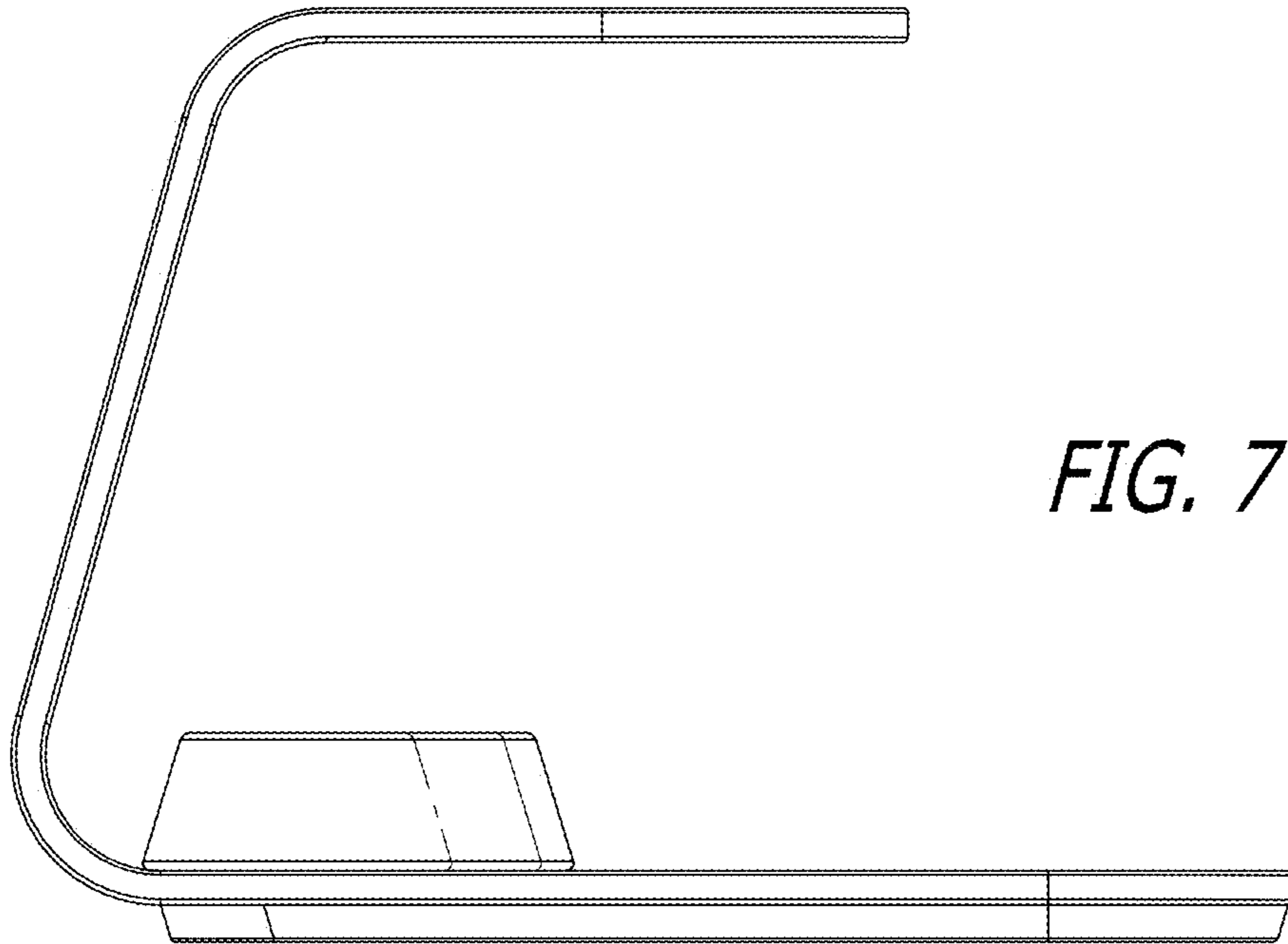
*FIG. 4*



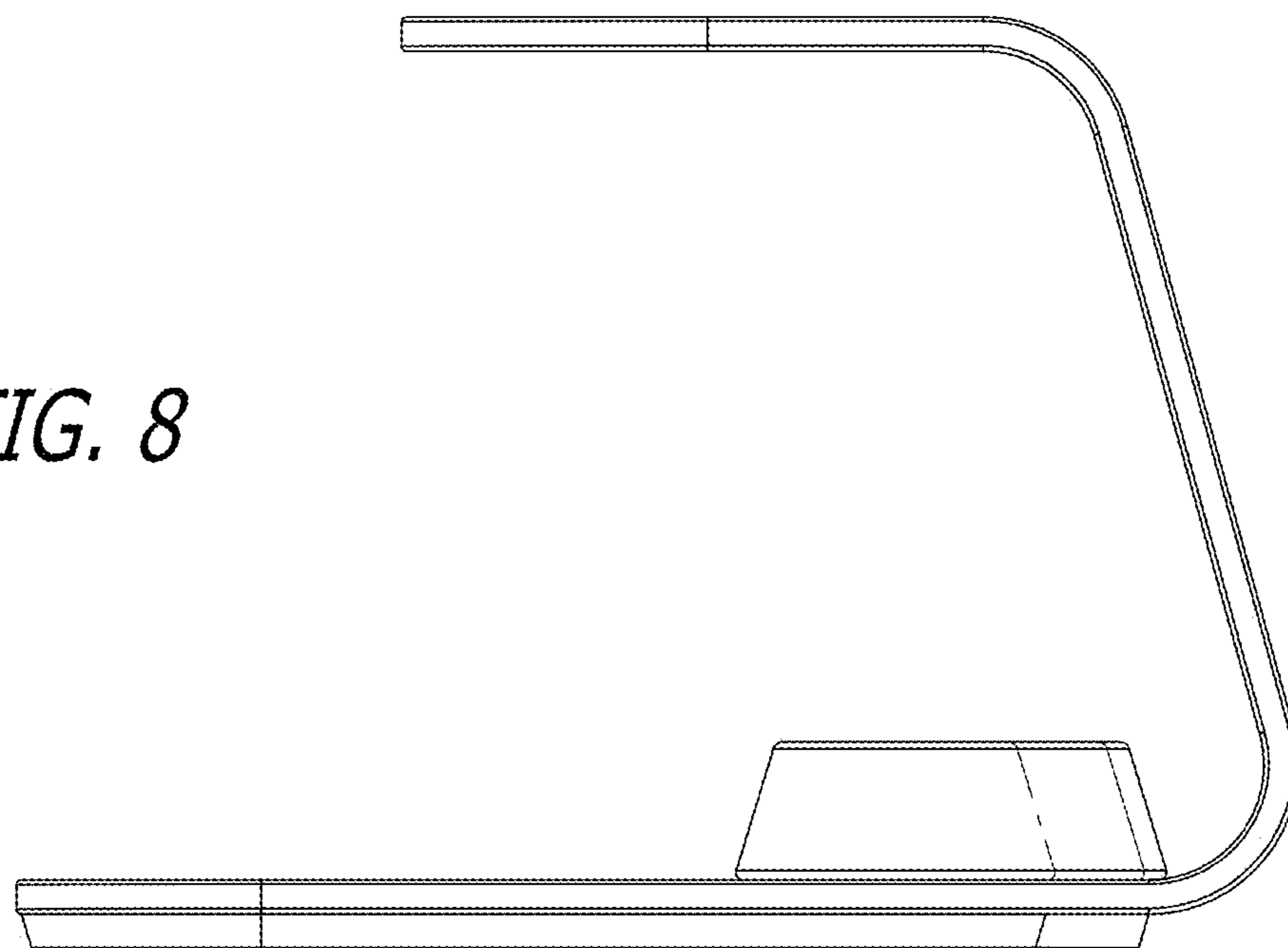
*FIG. 5*



*FIG. 6*

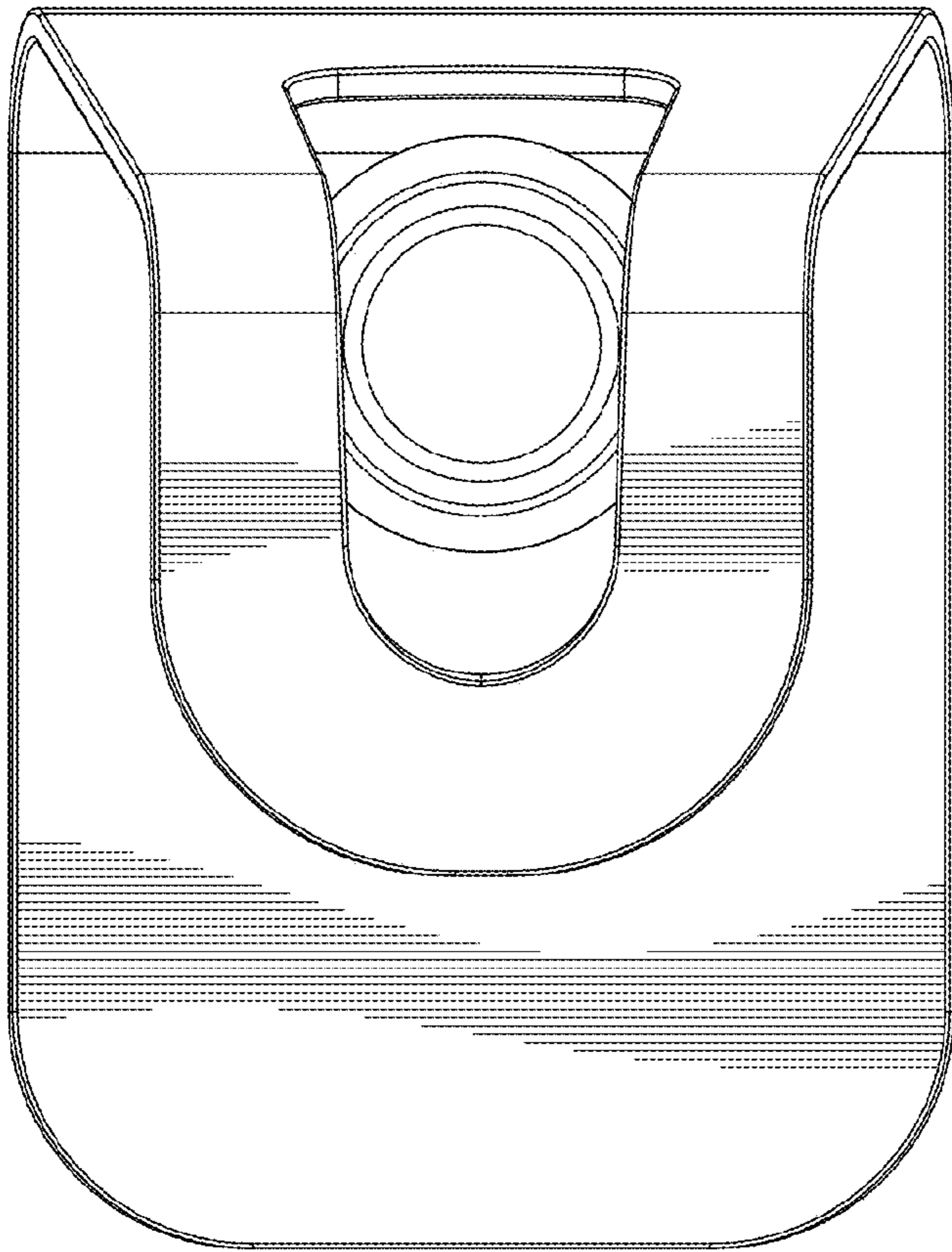


*FIG. 7*

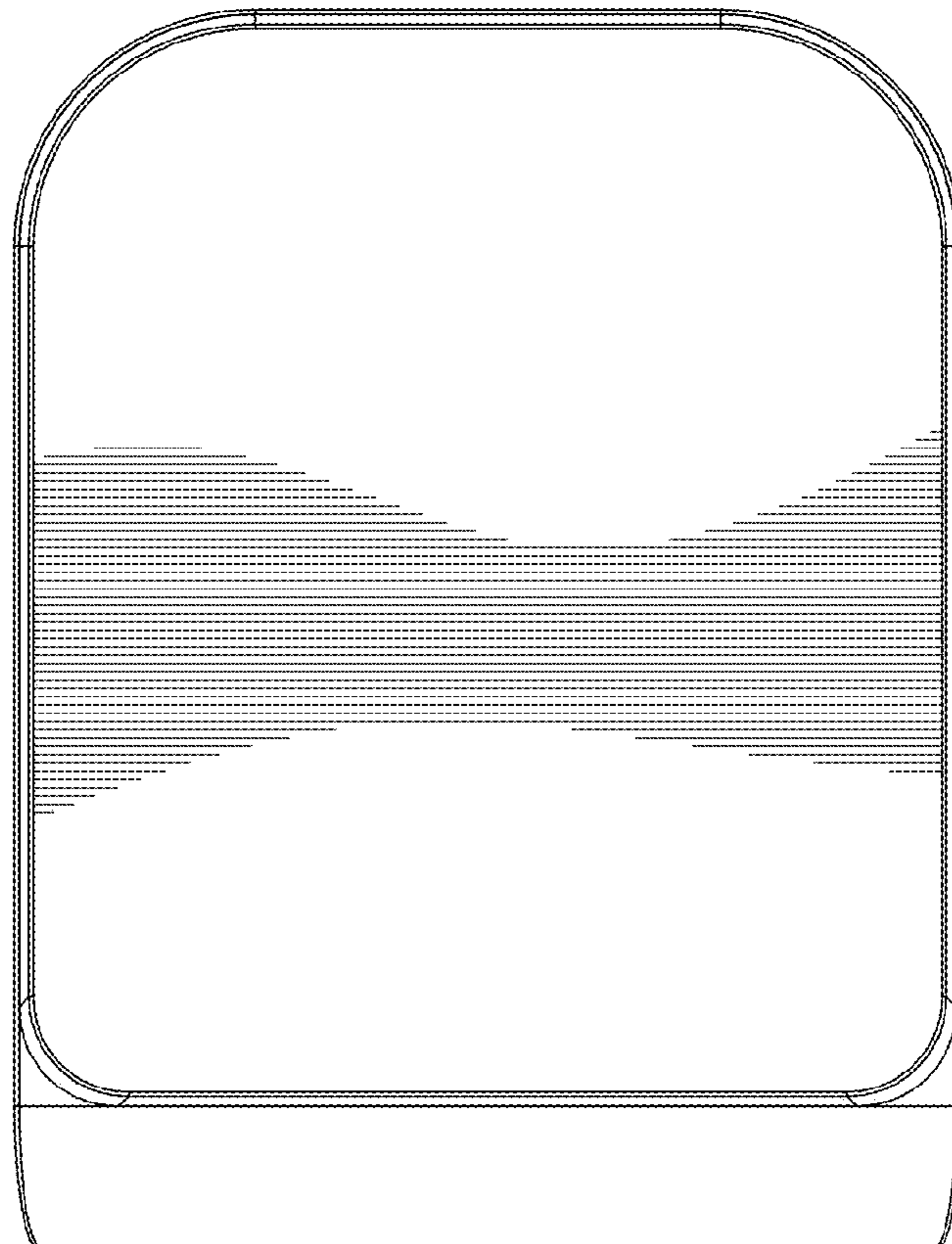


*FIG. 8*

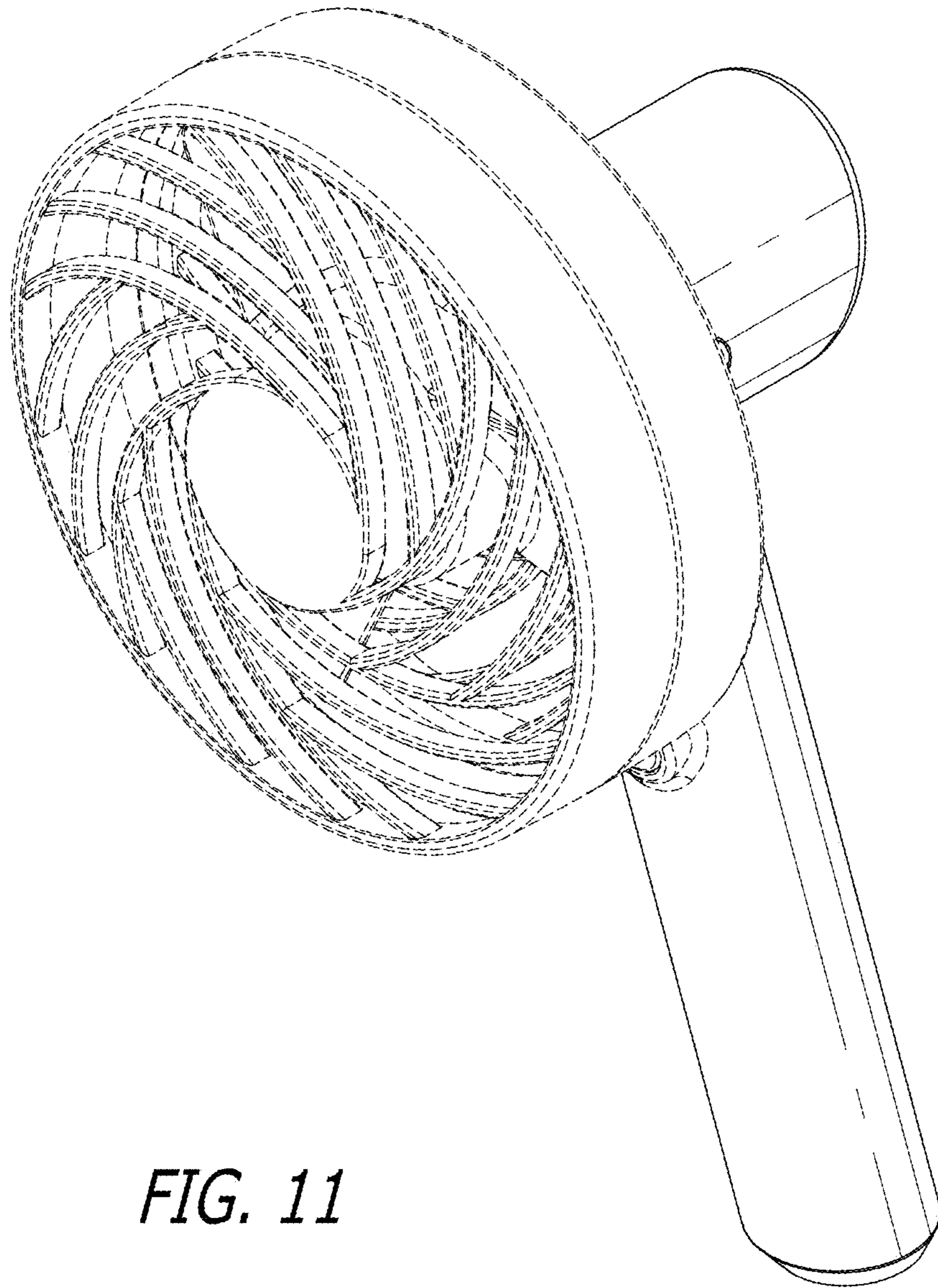




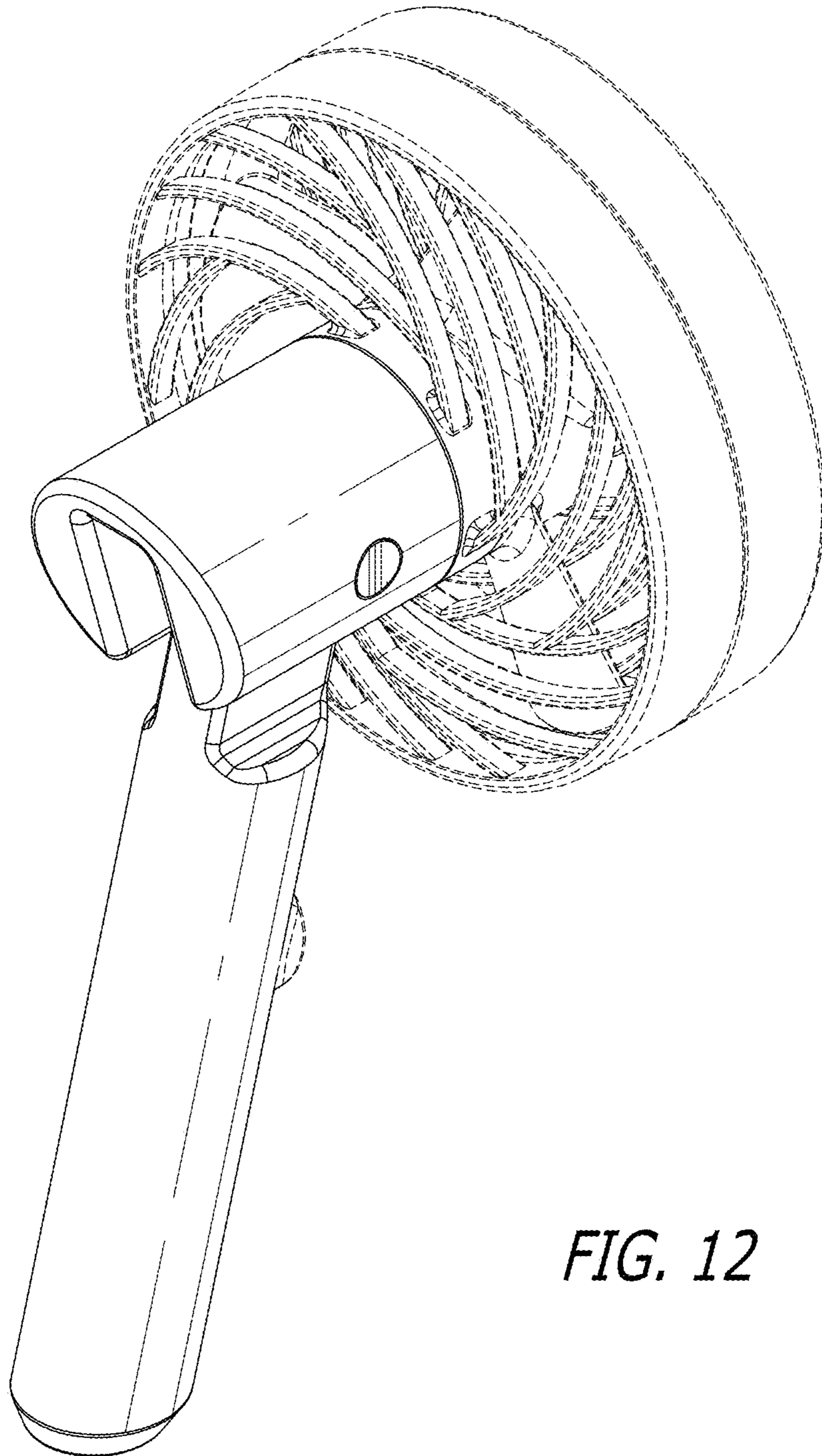
*FIG. 9*



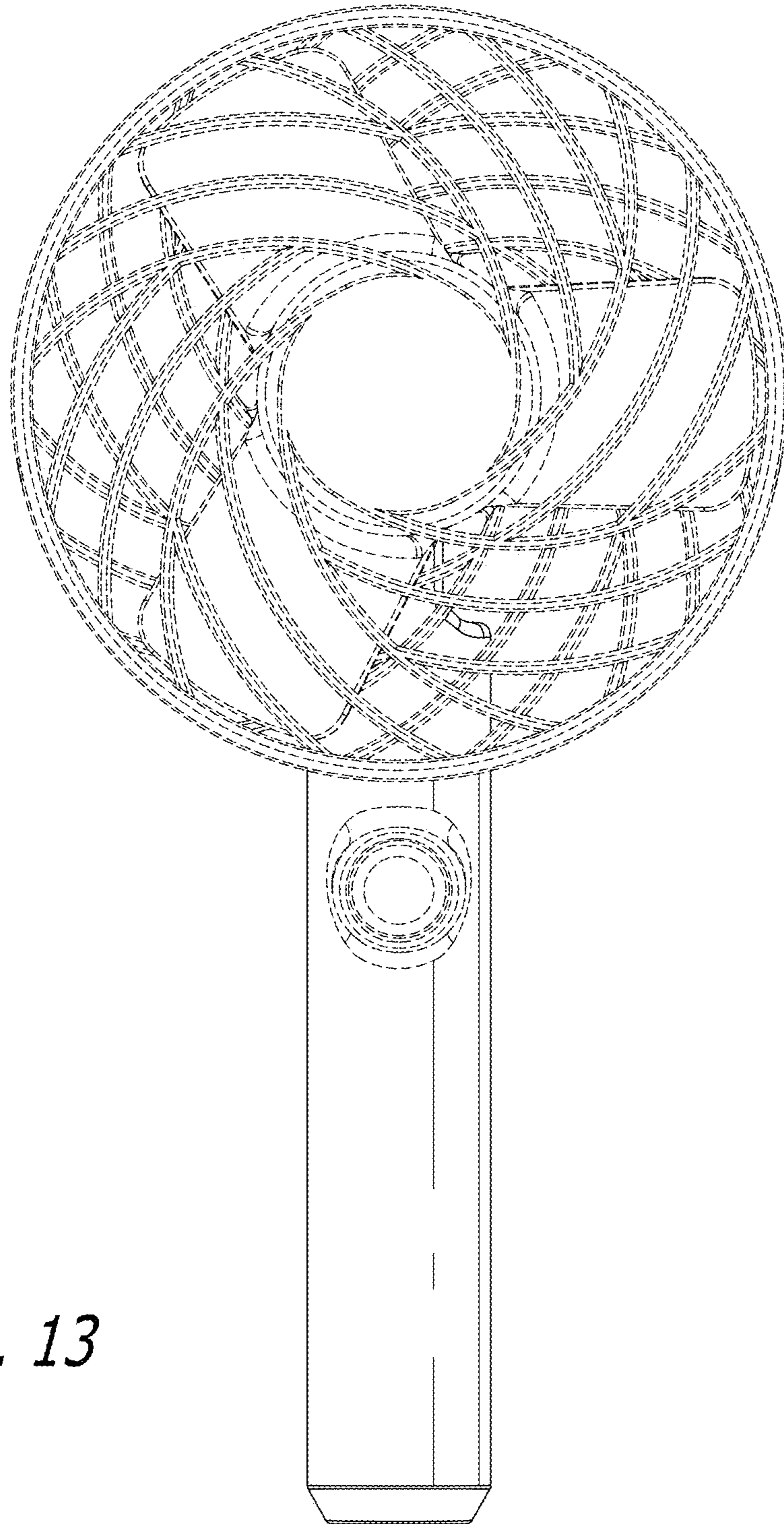
*FIG. 10*



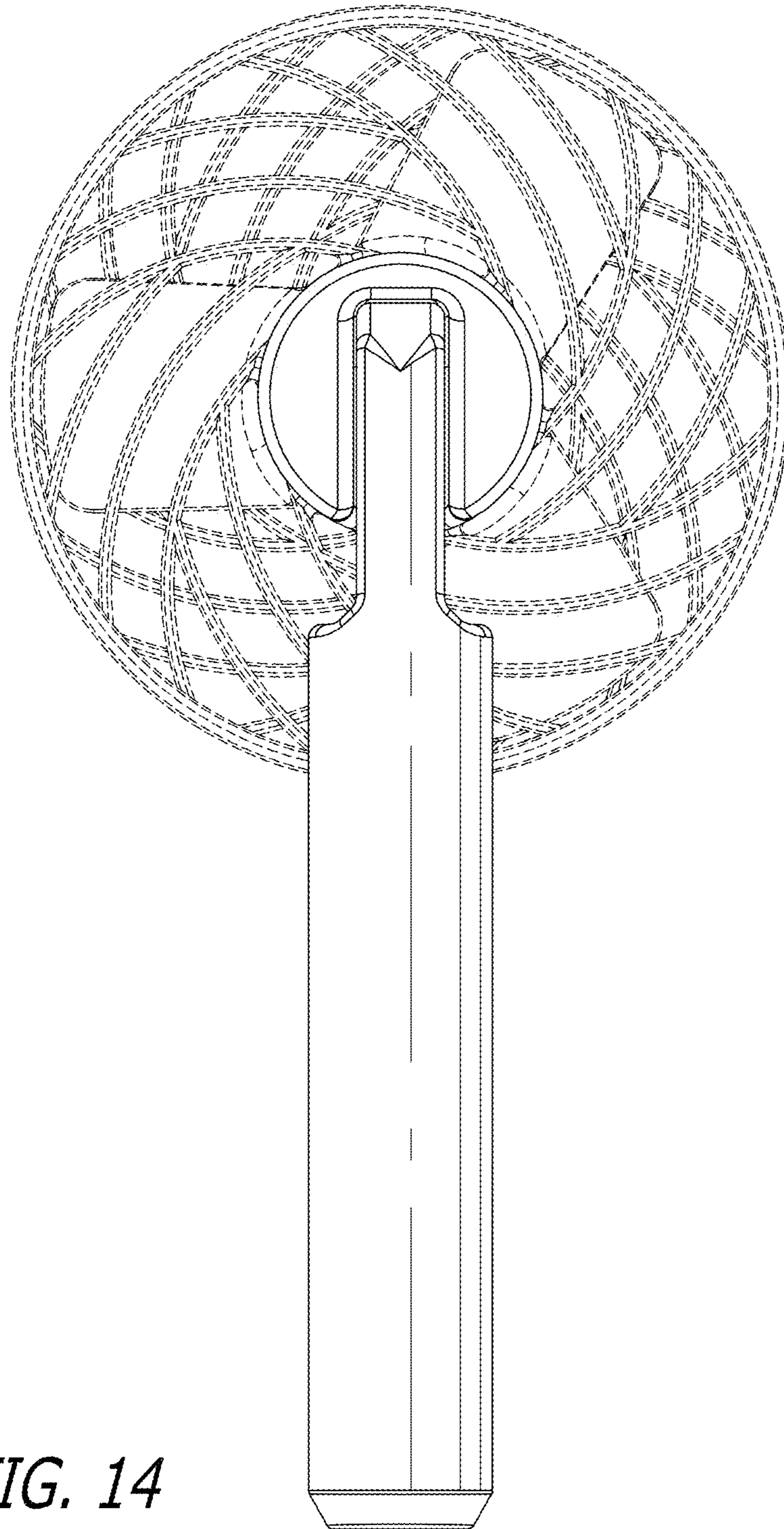
*FIG. 11*



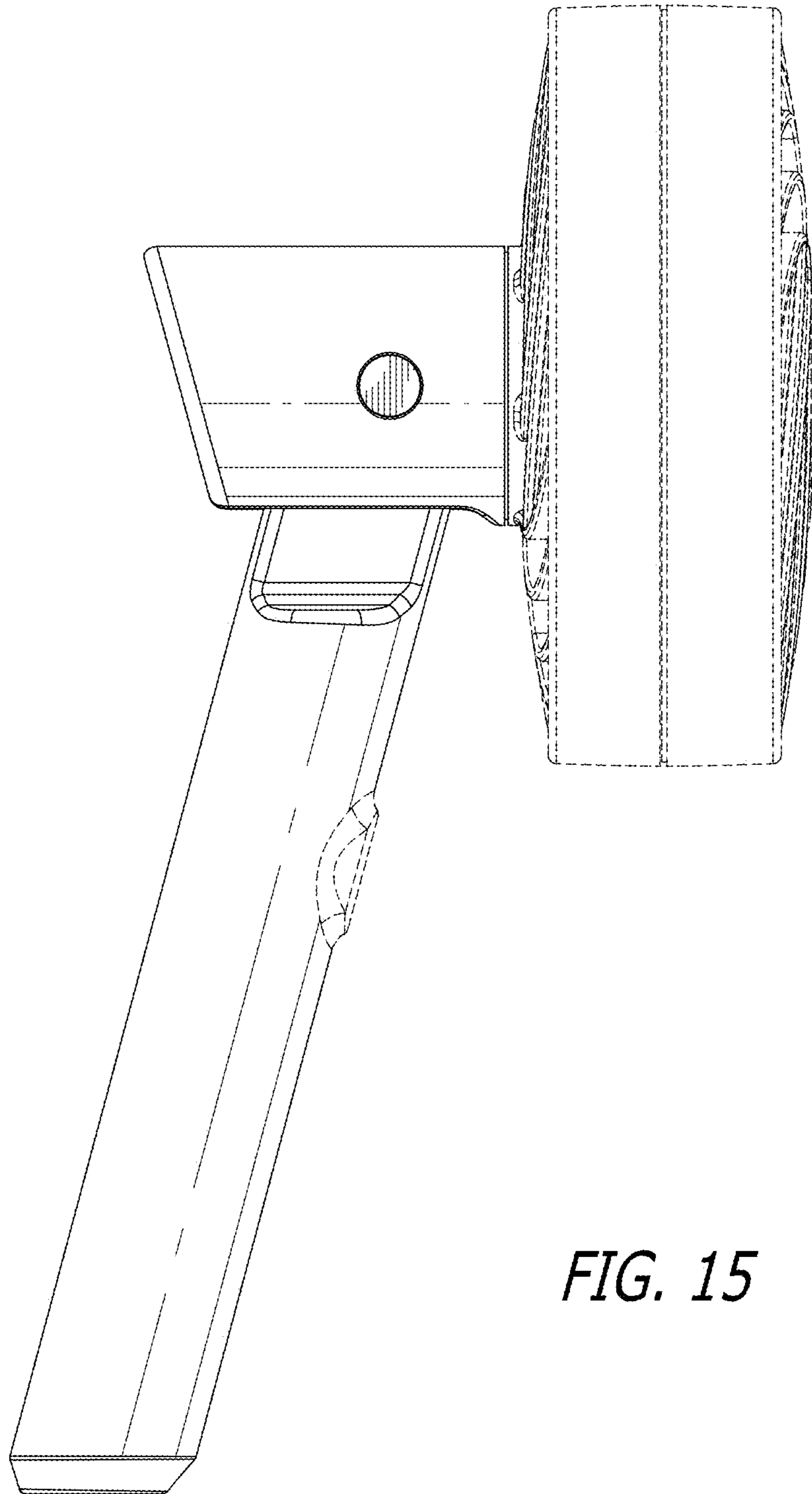
*FIG. 12*



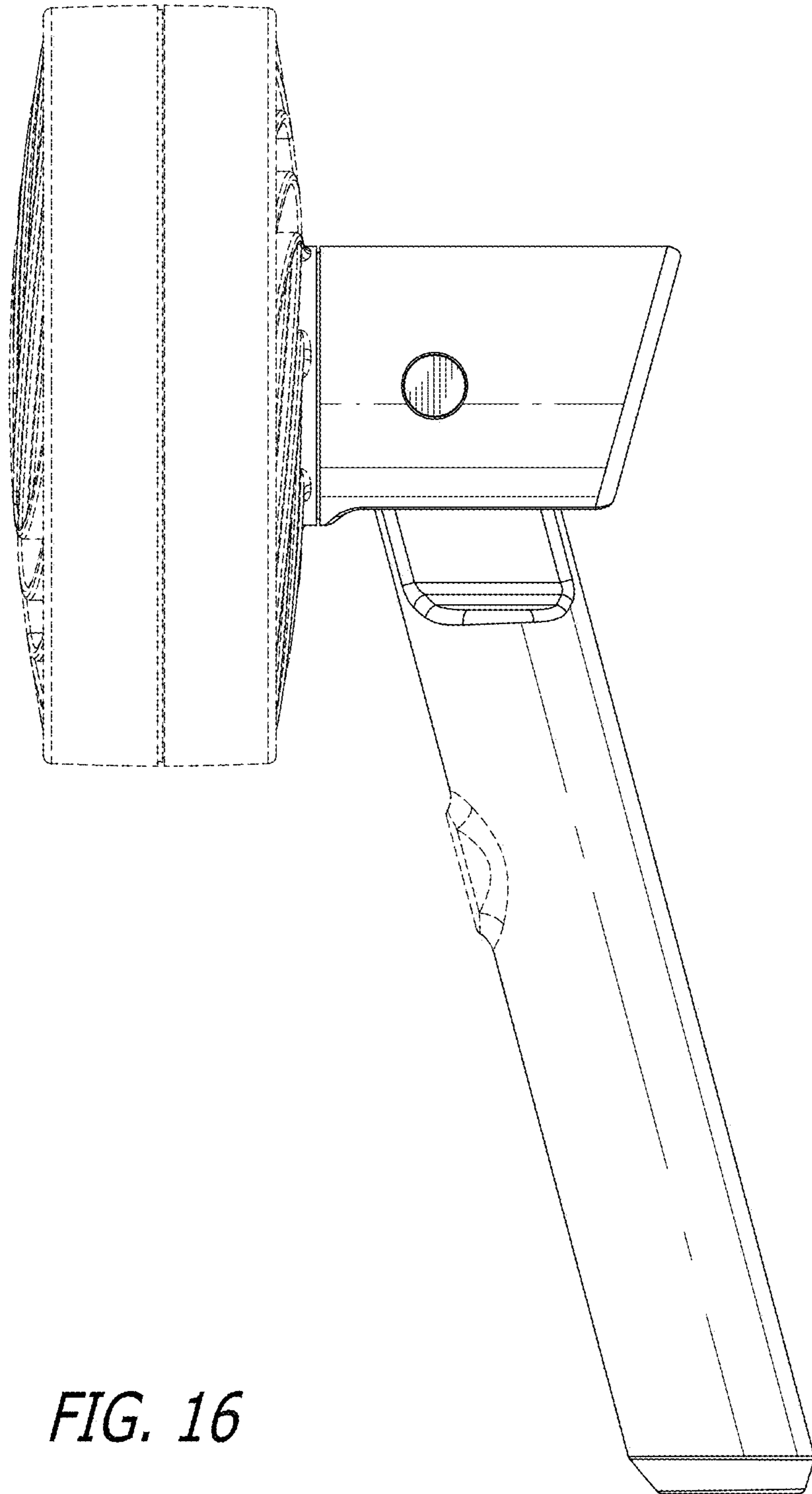
*FIG. 13*



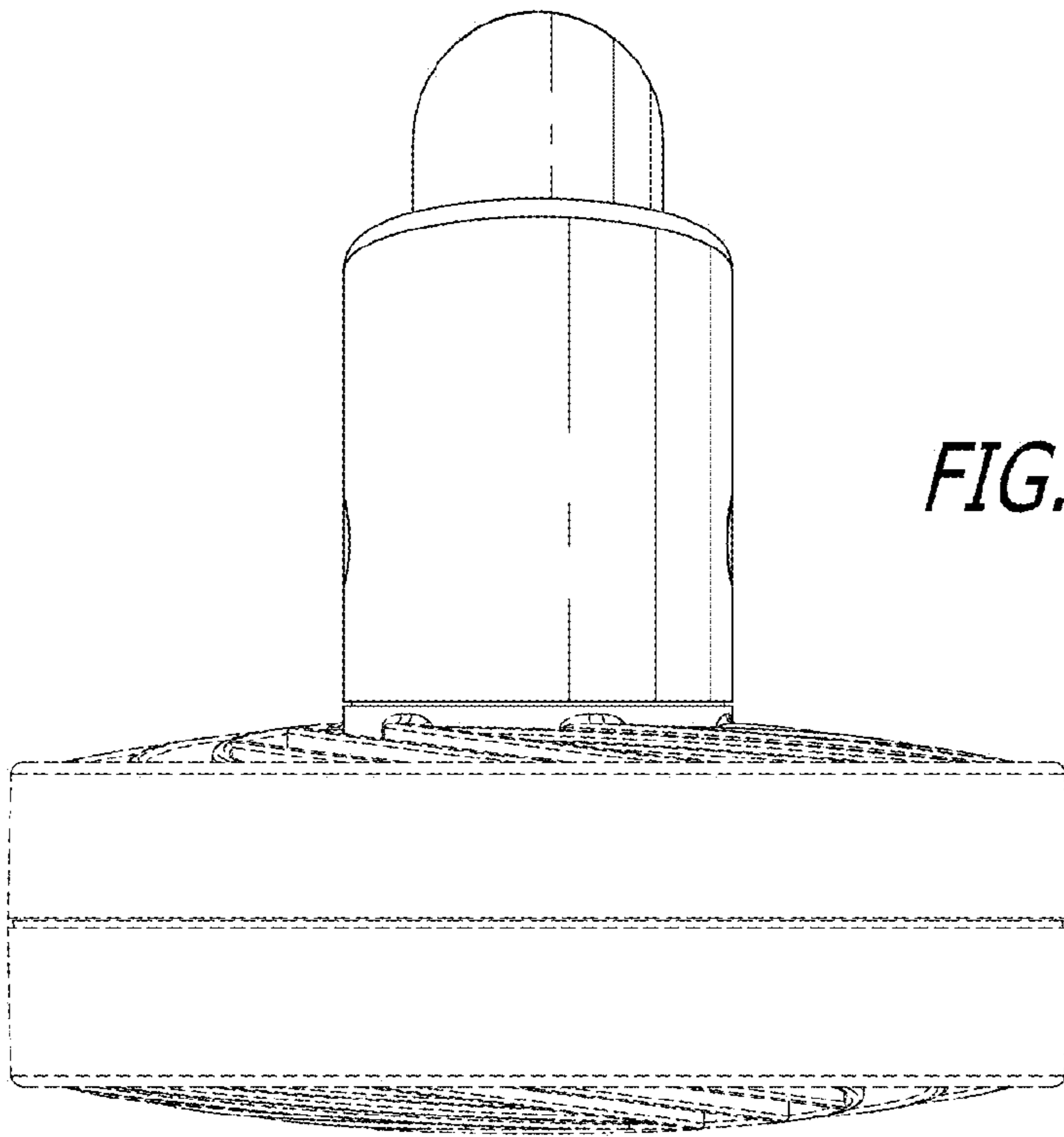
*FIG. 14*



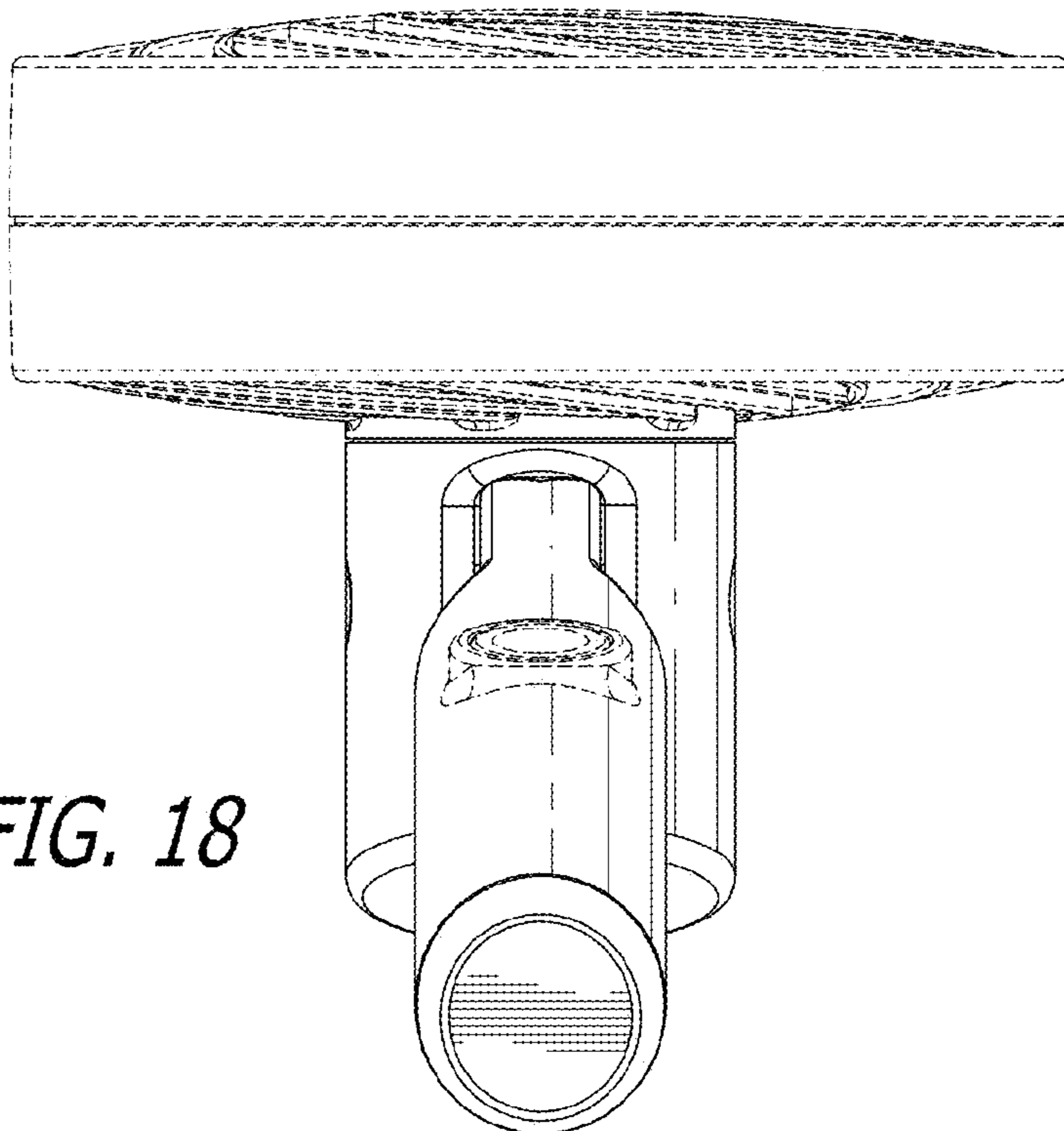
*FIG. 15*



*FIG. 16*



*FIG. 17*



*FIG. 18*