



US00D979730S

(12) **United States Design Patent**  
**Paiho et al.**

(10) **Patent No.:** **US D979,730 S**

(45) **Date of Patent:** **\*\* Feb. 28, 2023**

(54) **AIR CLEANING DEVICE**

(71) Applicant: **Zehnder Group International AG**,  
Gränichen (CH)

(72) Inventors: **Janne Paiho**, Motala (SE); **Magnus Bladh**, Stockholm (SE)

(73) Assignee: **ZEHNDER GROUP INTERNATIONAL AG**, Gränichen (CH)

(\*\*) Term: **15 Years**

(21) Appl. No.: **35/510,630**

(22) Filed: **Sep. 24, 2020**

(80) **Hague Agreement Data**

Int. Filing Date: **Sep. 24, 2020**

Int. Reg. No.: **DM/210853**

Int. Reg. Date: **Sep. 24, 2020**

Int. Reg. Pub. Date: **Oct. 30, 2020**

(51) **LOC (14) Cl.** ..... **23-04**

(52) **U.S. Cl.**  
USPC ..... **D23/364**

(58) **Field of Classification Search**  
USPC ..... D23/355, 356, 359, 364, 370, 386  
CPC ..... B01D 46/00; B01D 46/0002; A61L 9/00  
See application file for complete search history.

(56) **References Cited**

**U.S. PATENT DOCUMENTS**

- D344,328 S \* 2/1994 Price ..... D23/365
- D618,328 S \* 6/2010 Chan ..... D23/364
- D745,129 S \* 12/2015 Nakagawa ..... D23/364
- D864,369 S \* 10/2019 Gallet ..... D23/365
- 10,852,028 B2 \* 12/2020 Hirsch ..... F28D 9/00
- 2017/0209825 A1 \* 7/2017 Huang ..... B01D 47/022

- 2019/0201827 A1 \* 7/2019 Haubold ..... B01D 46/002
- 2021/0129067 A1 \* 5/2021 Knight ..... B01D 46/00
- 2021/0354069 A1 \* 11/2021 Louison ..... B01D 46/24

\* cited by examiner

*Primary Examiner* — Michael A. Pratt

(74) *Attorney, Agent, or Firm* — Pauley Erickson & Swanson

(57) **CLAIM**

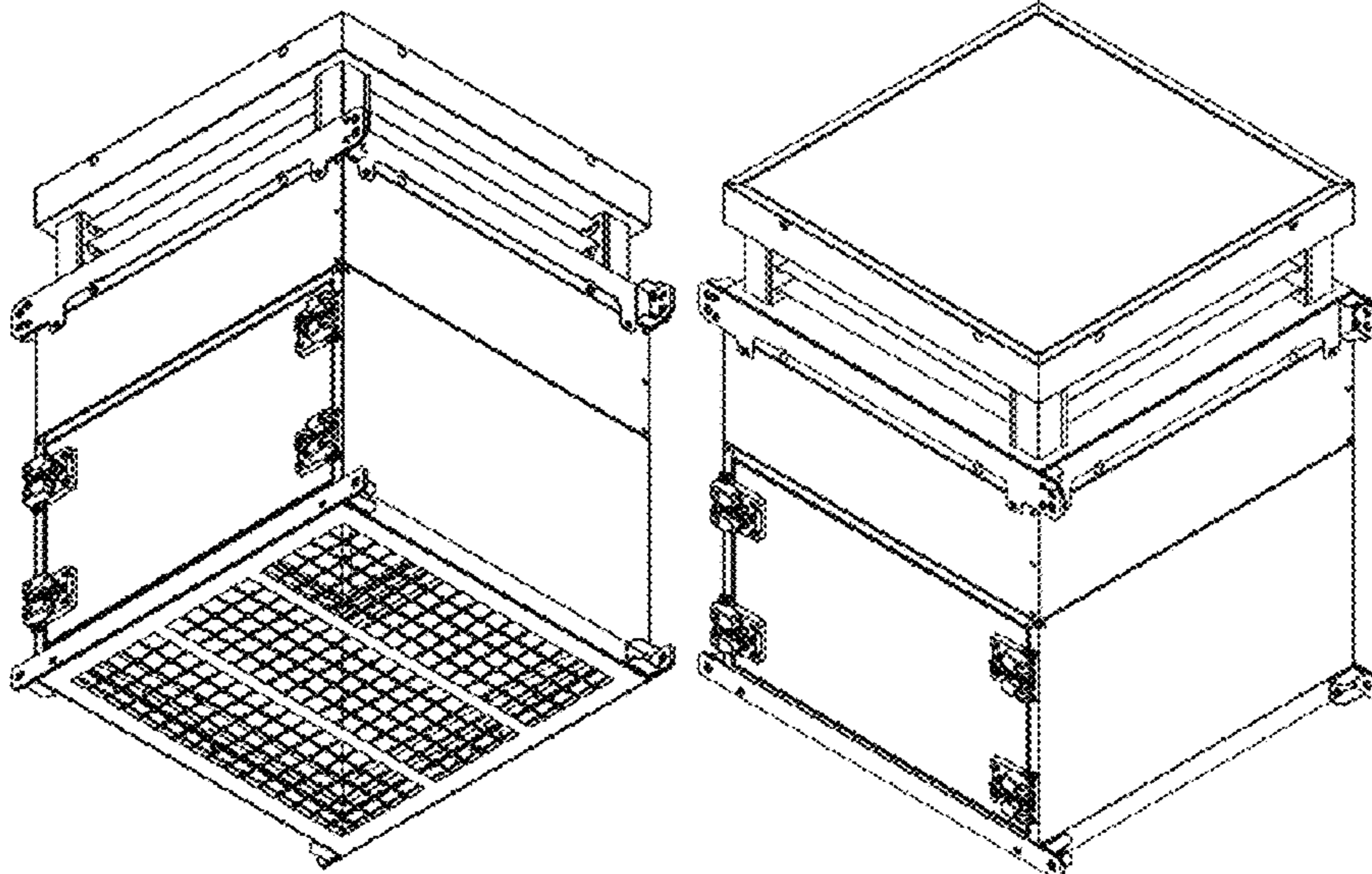
The ornamental design for an air cleaning device, as shown and described.

**DESCRIPTION**

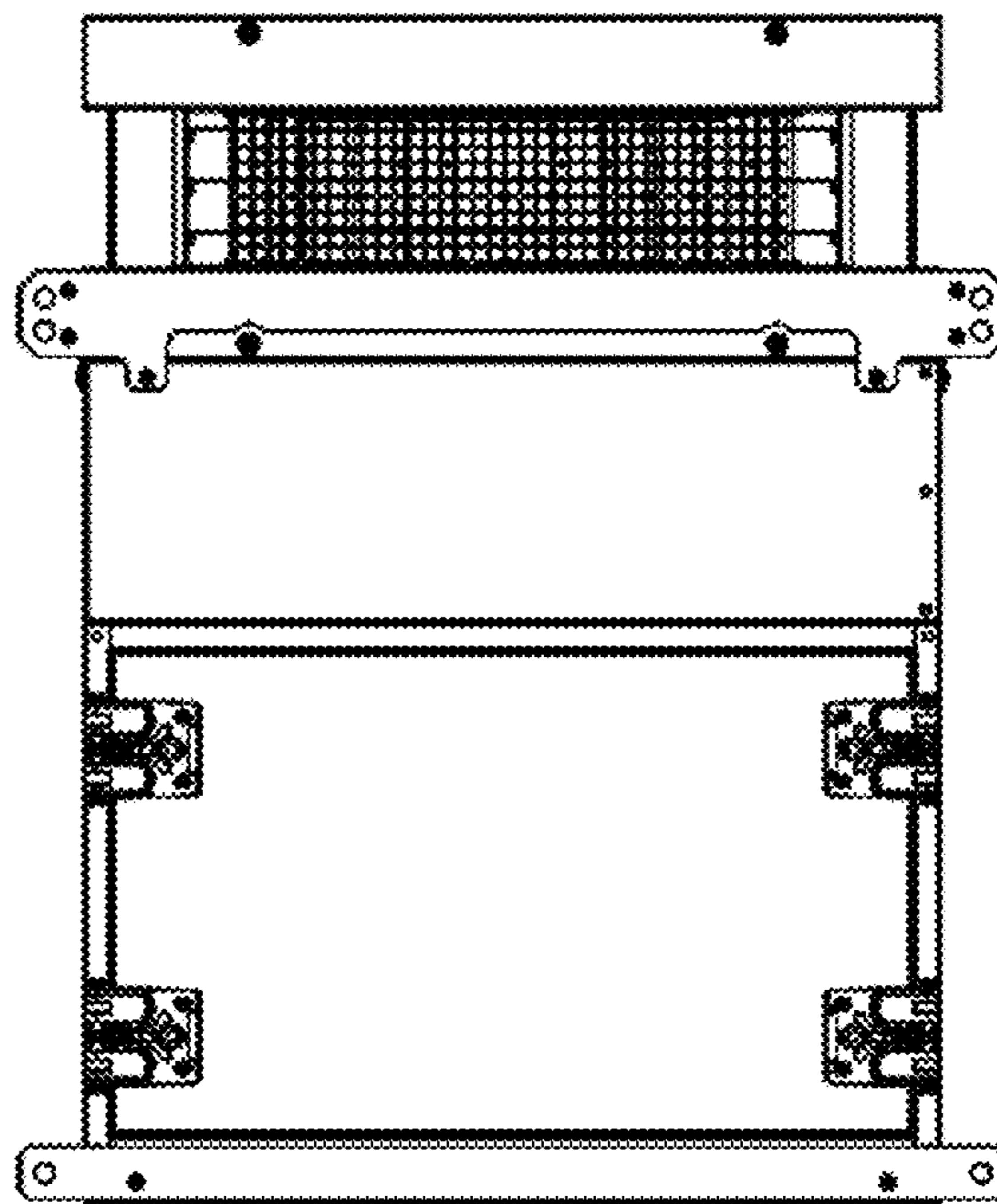
1.-6. Air cleaning device

- 1.1: Front
- 1.2: Bottom
- 1.3: Back
- 1.4: Perspective
- 1.5: Perspective
- 1.6: Left
- 2.1: Front
- 2.2: Bottom
- 2.3: Back
- 2.4: Perspective
- 2.5: Perspective
- 2.6: Left
- 3.1: Front
- 3.2: Back
- 3.3: Left
- 3.4: Perspective
- 3.5: Perspective
- 3.6: Bottom
- 4.1: Bottom
- 4.2: Front
- 4.3: Perspective
- 4.4: Left
- 4.5: Perspective

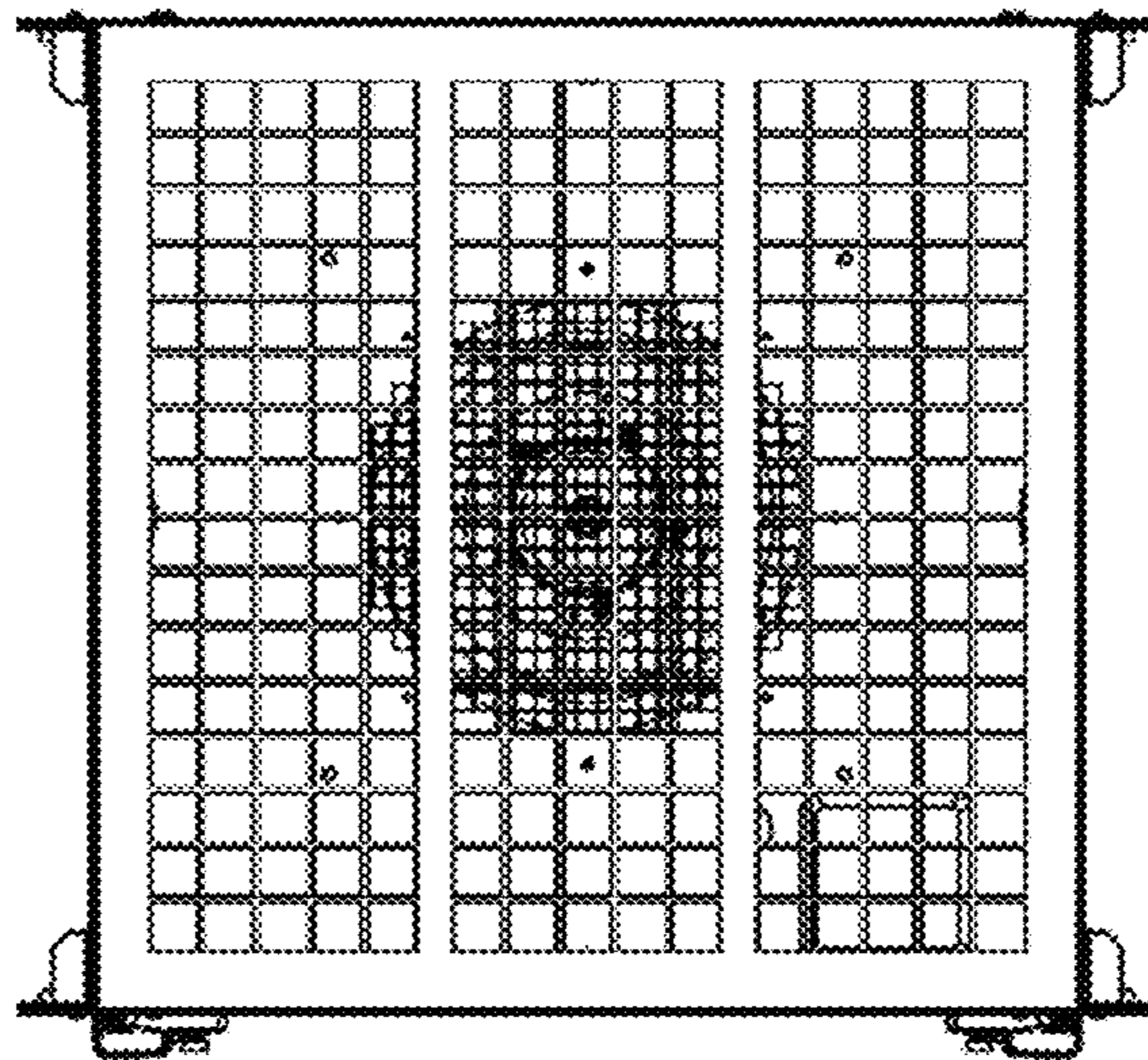
**1 Claim, 23 Drawing Sheets**



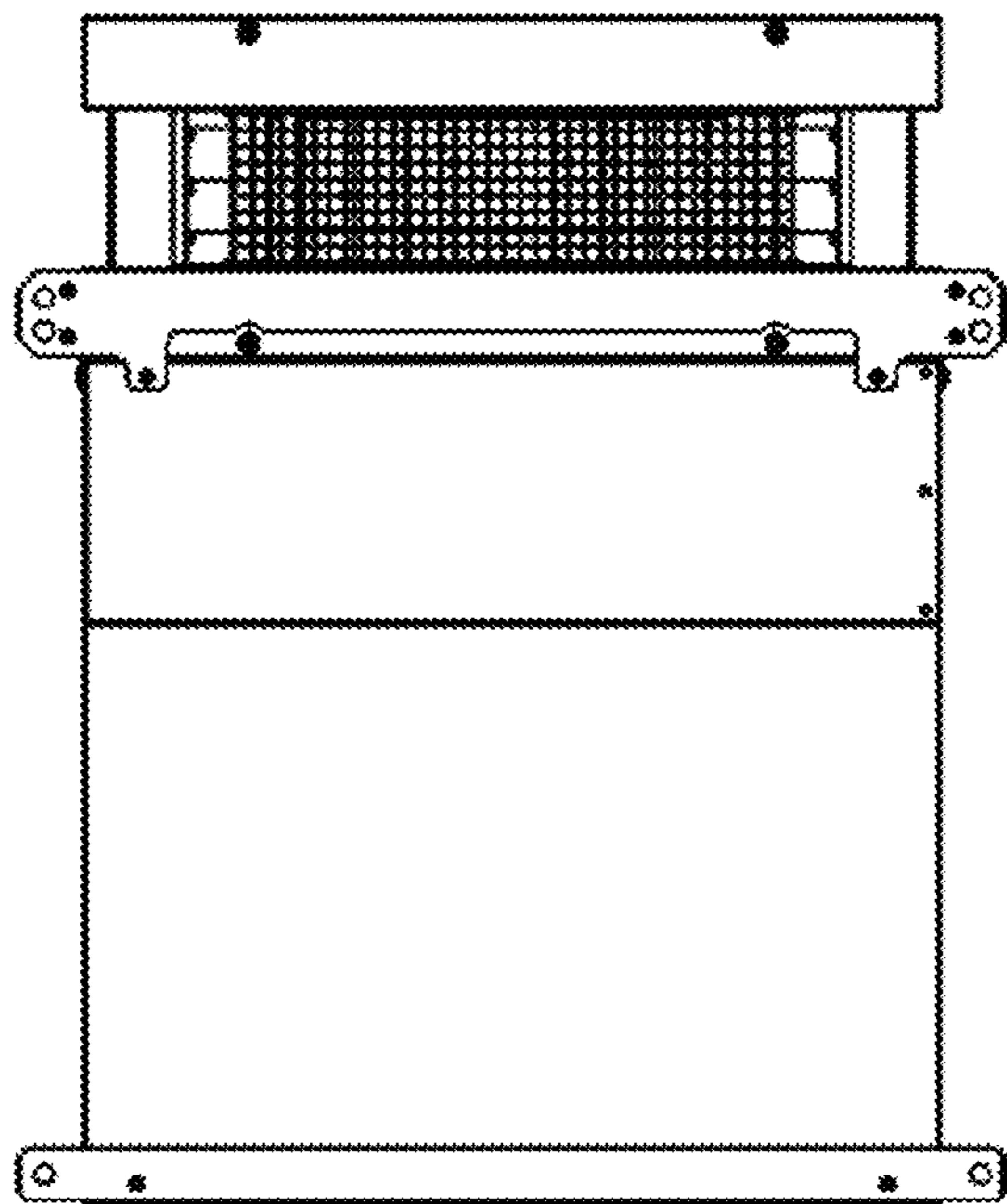
1.1



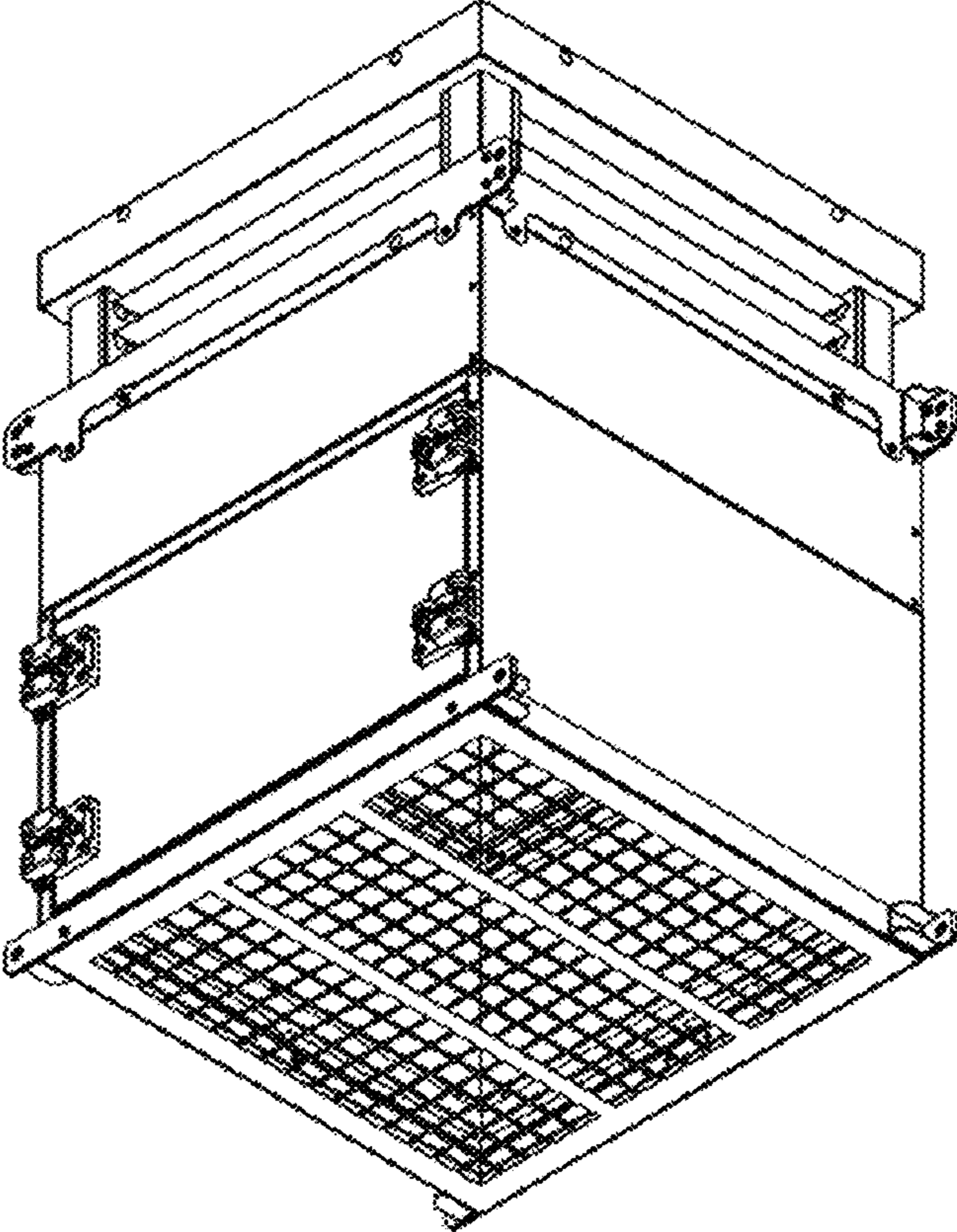
1.2



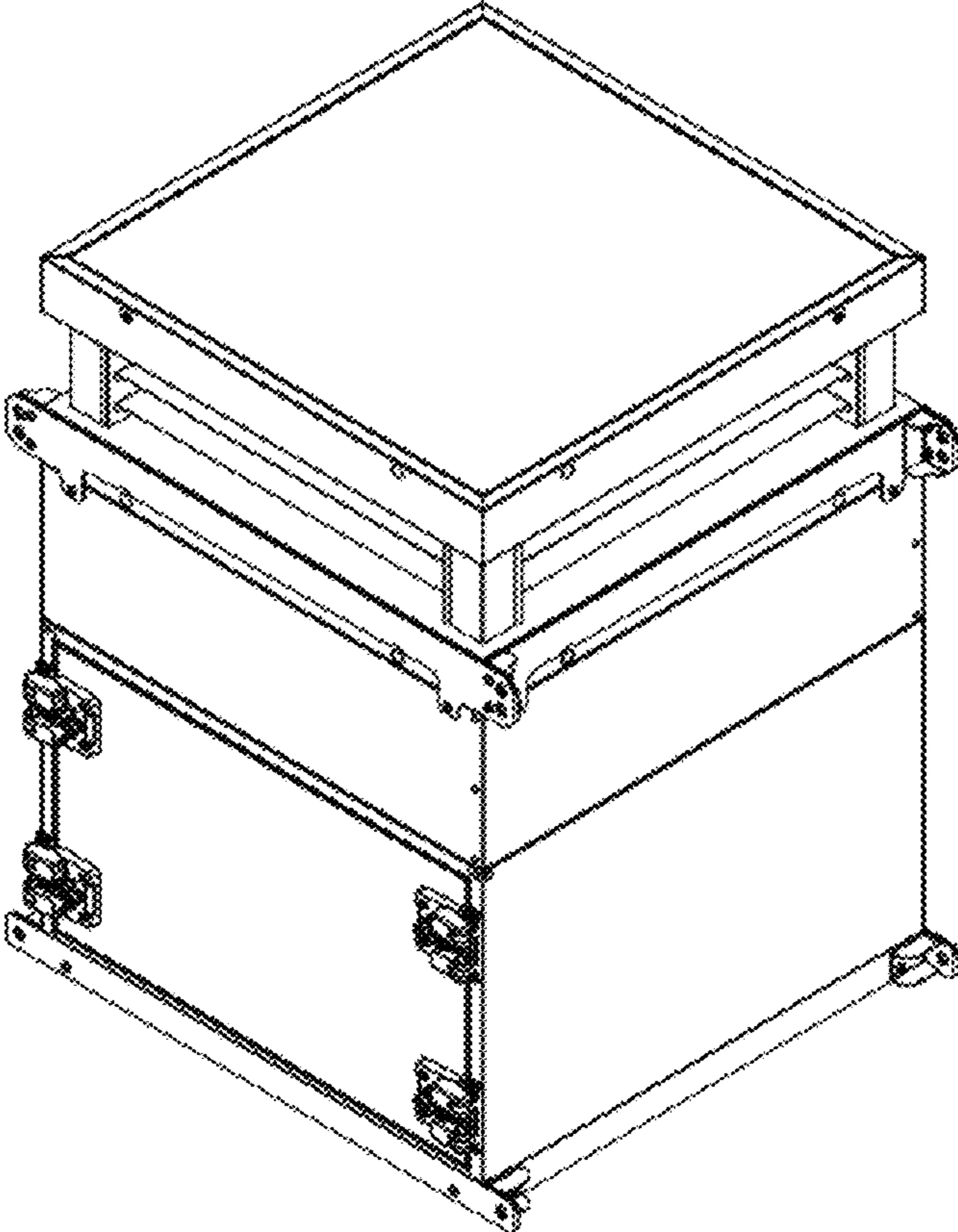
1.3



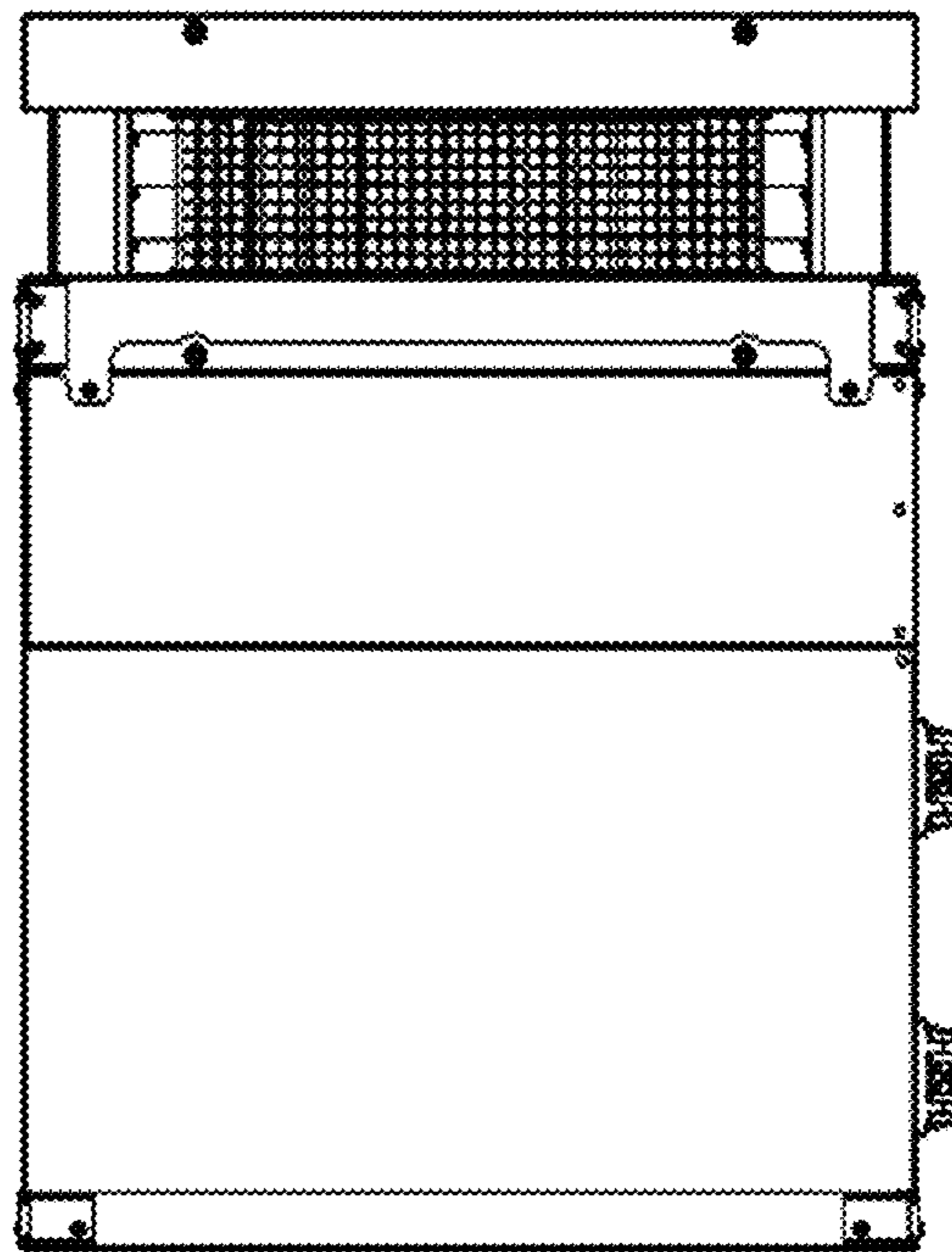
1.4



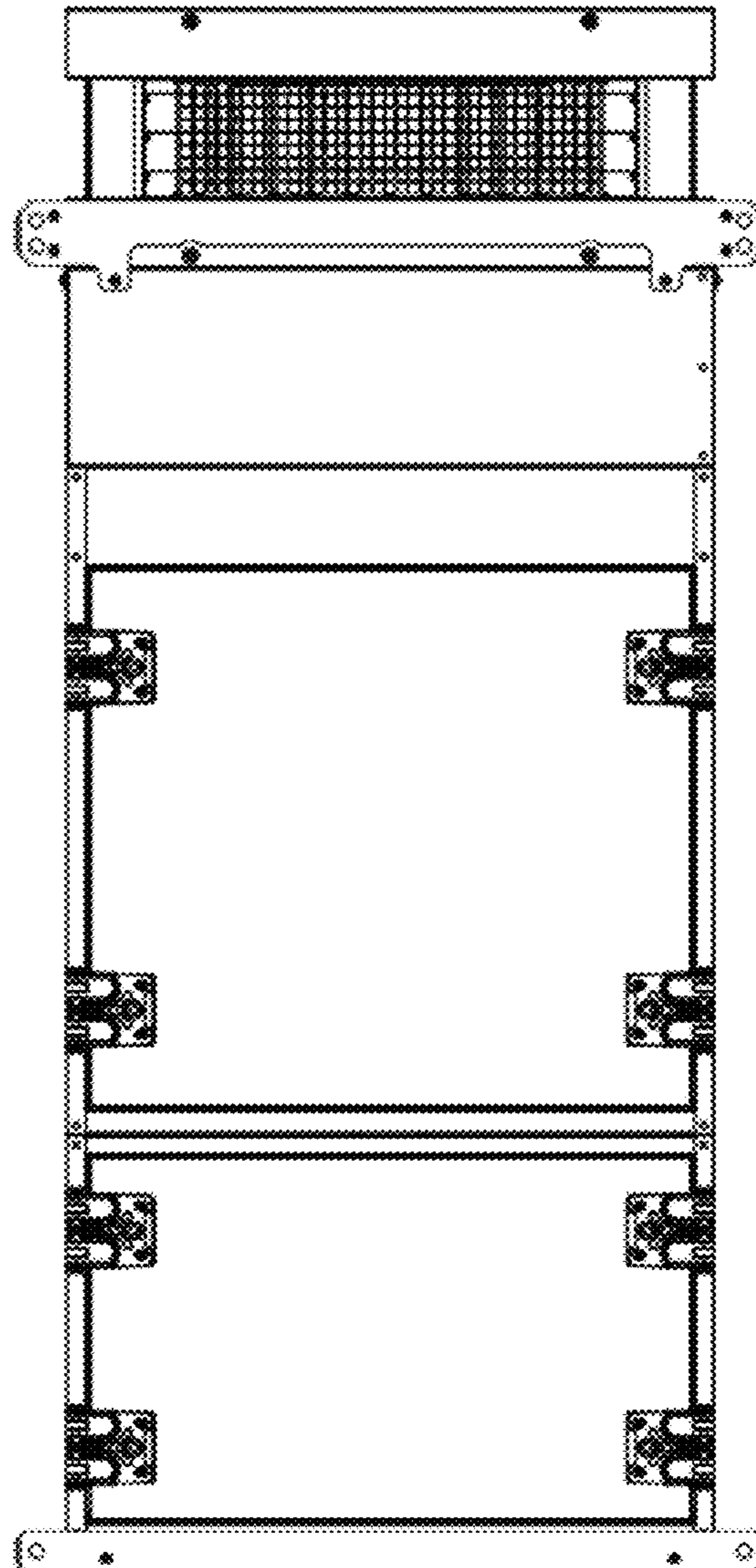
1.5



1.6

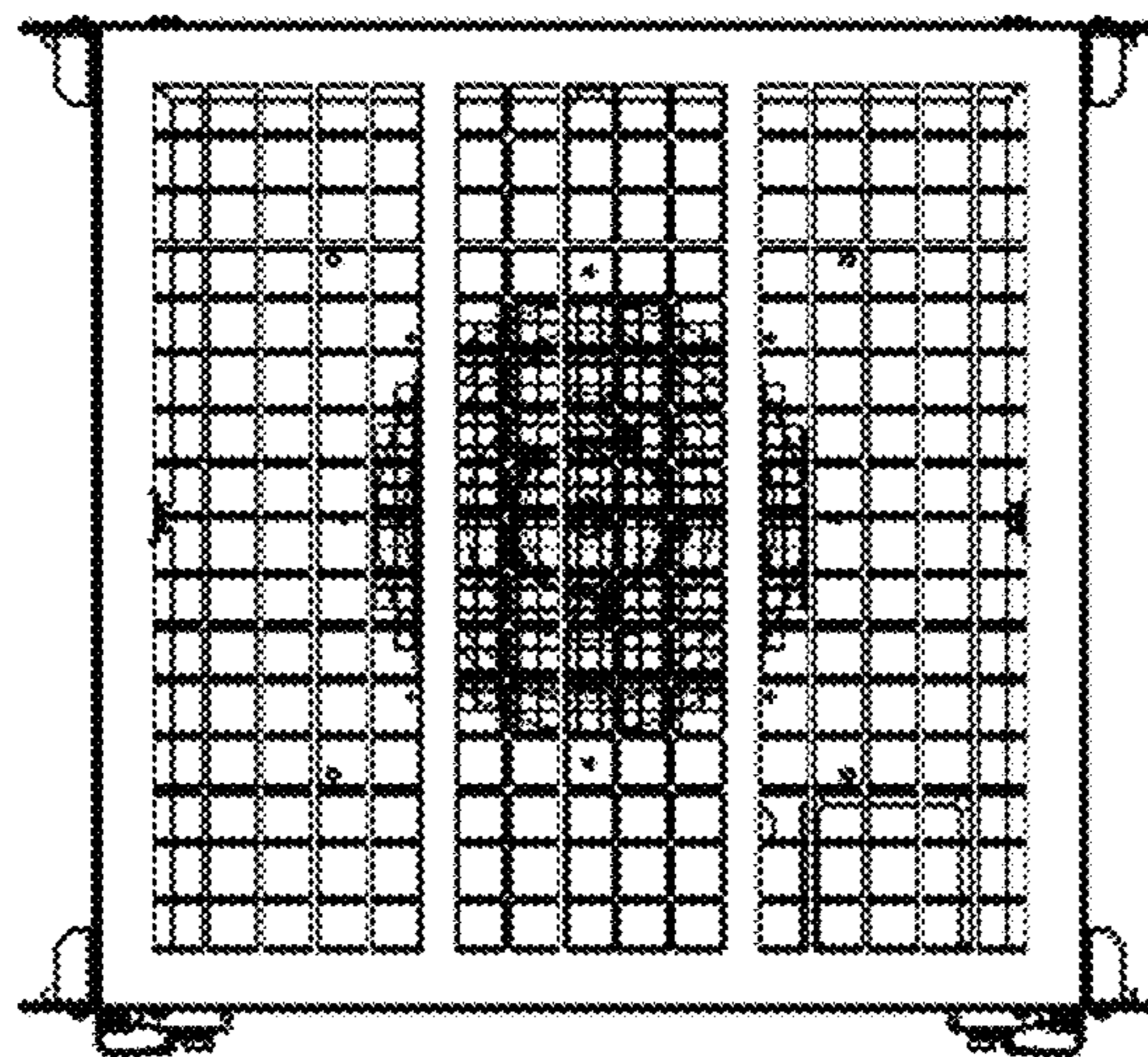


2.1

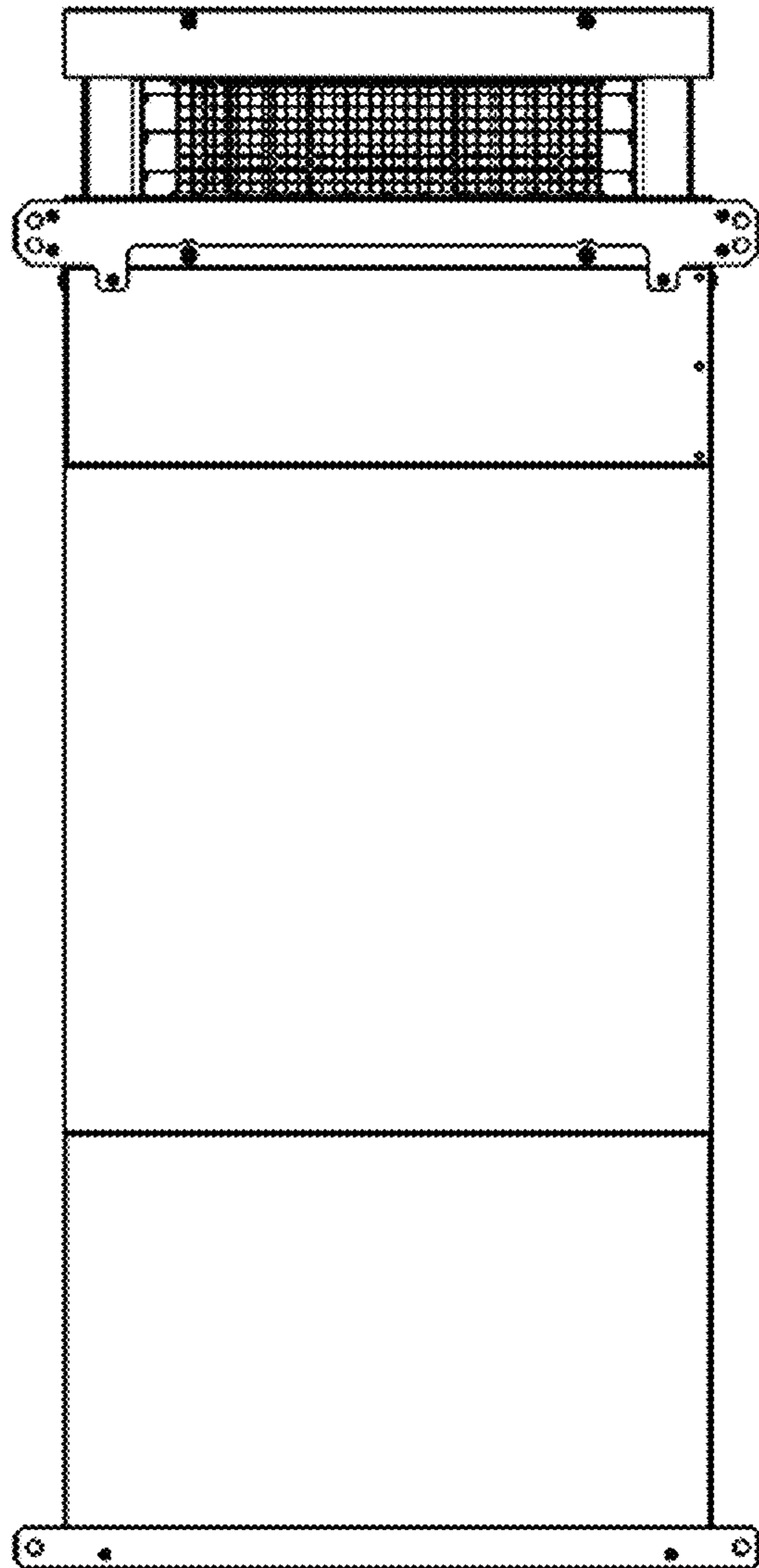




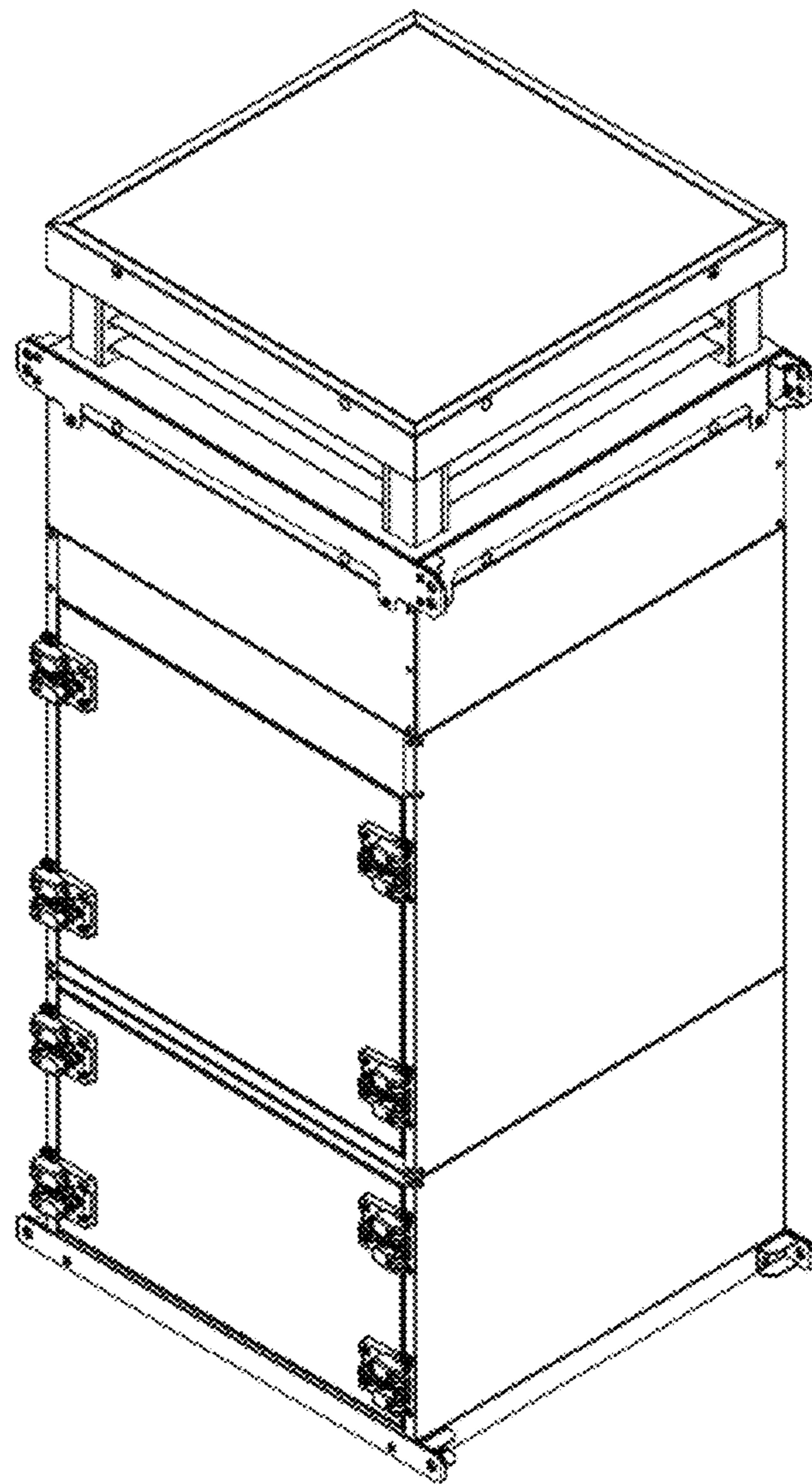
2.2



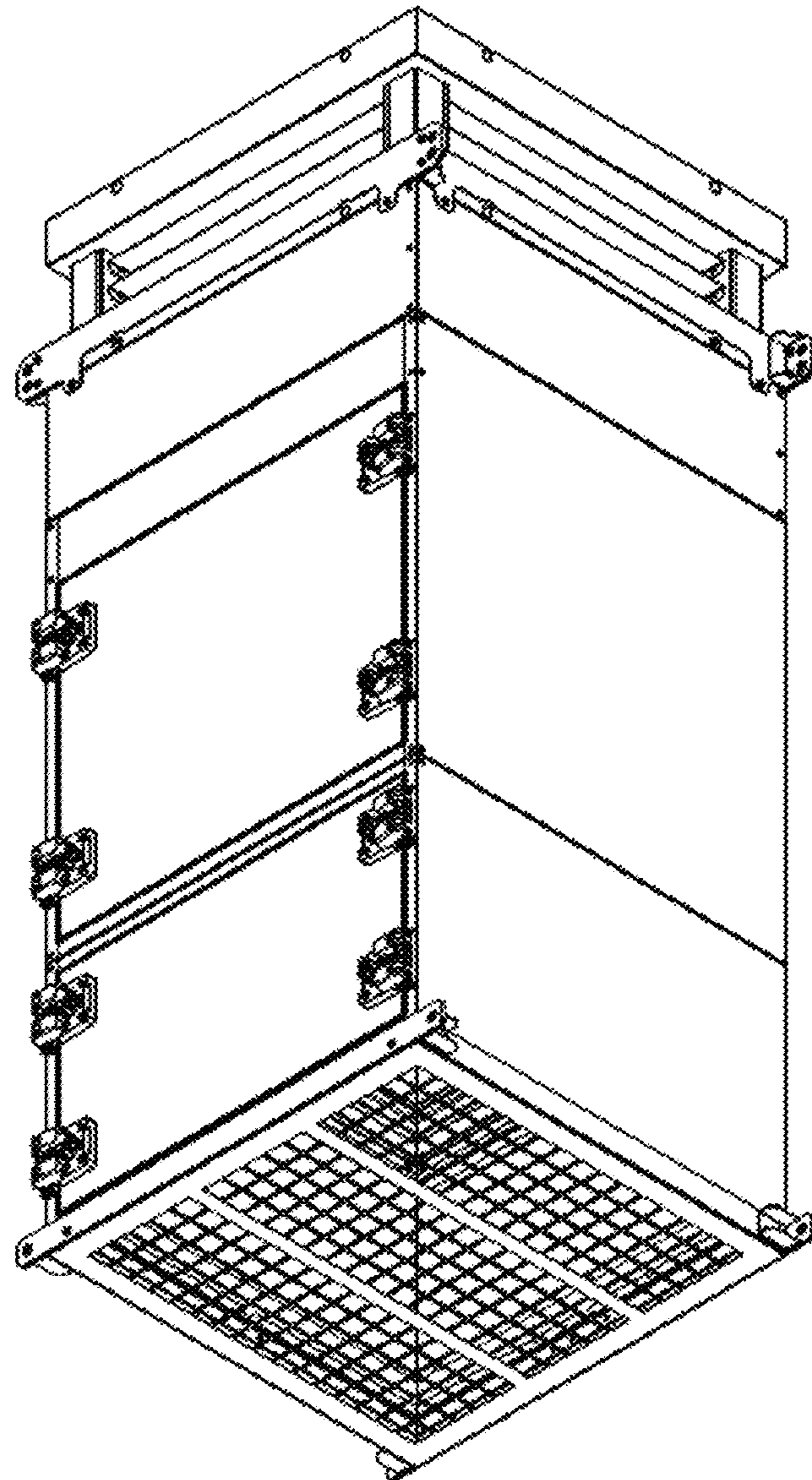
2.3



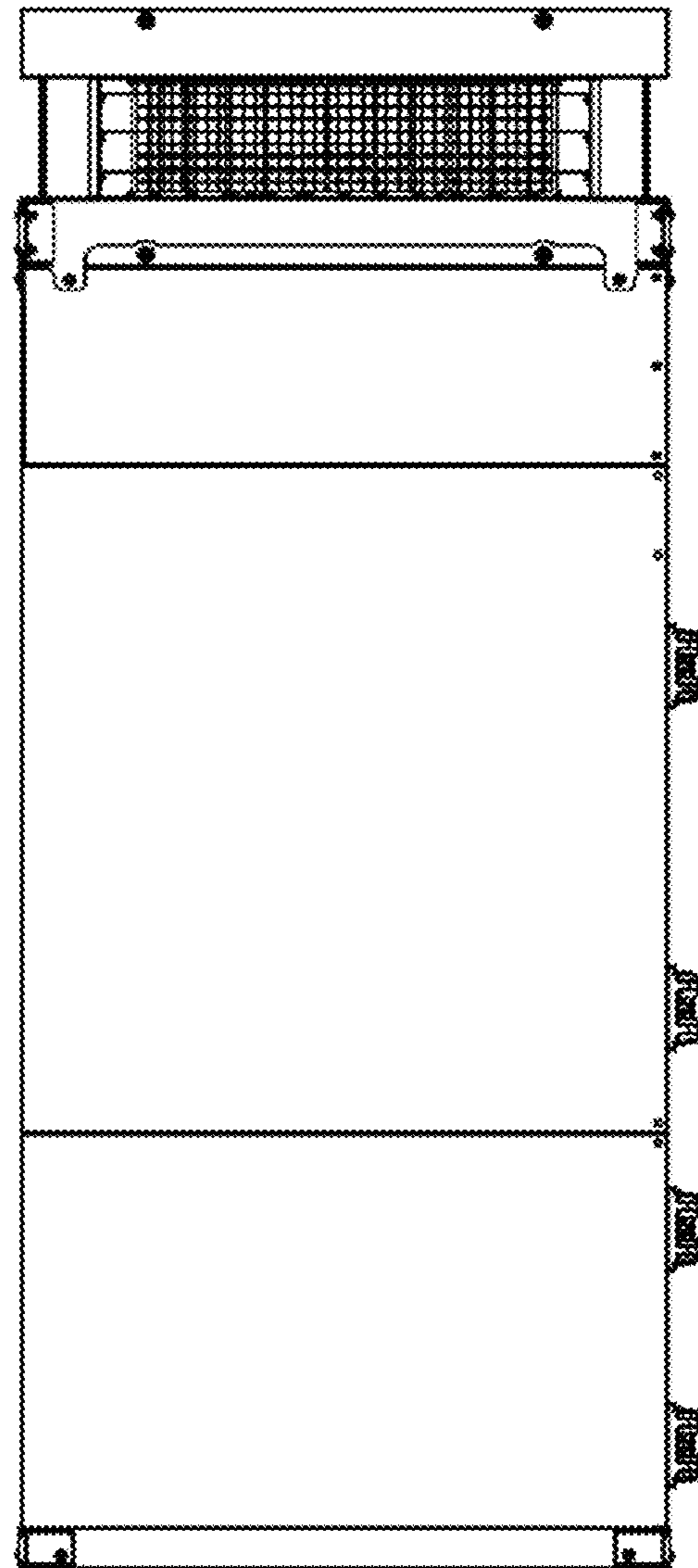
2.4



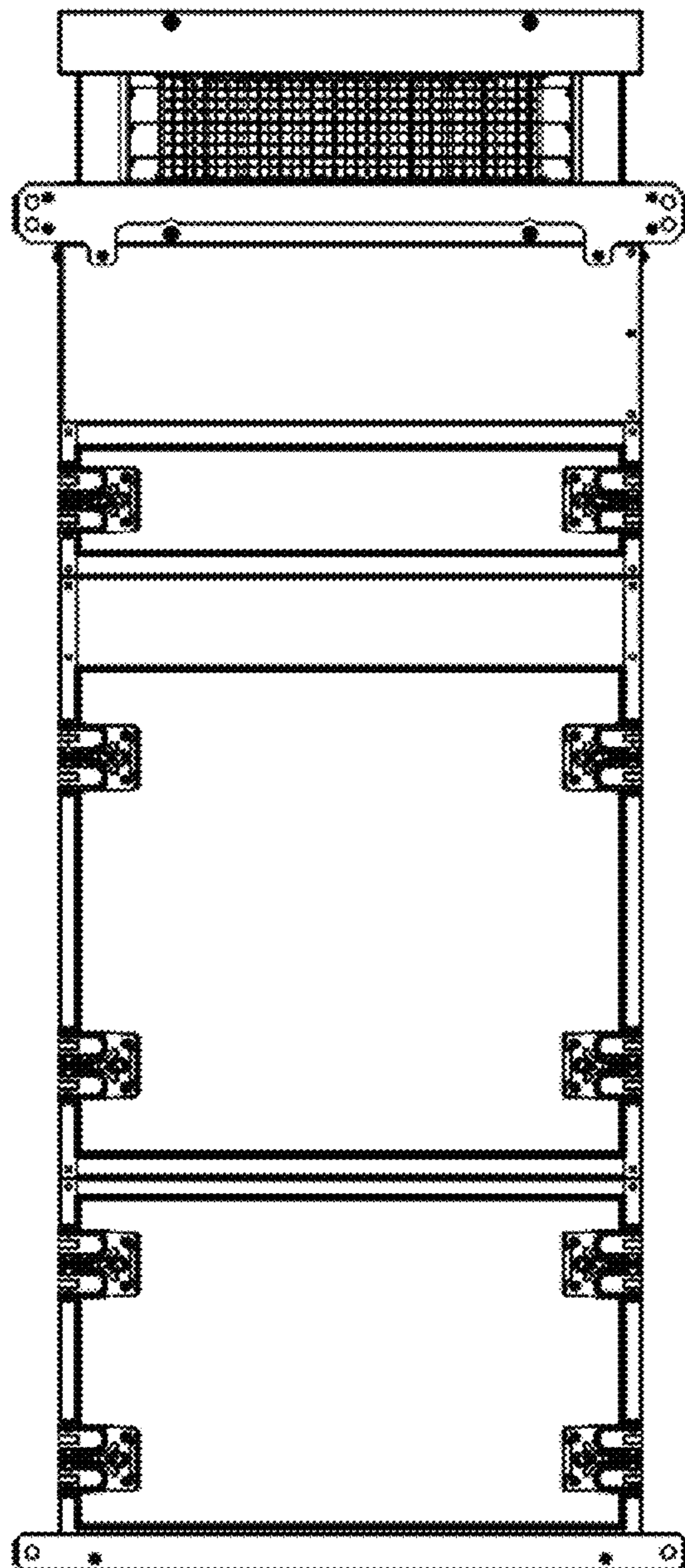
2.5



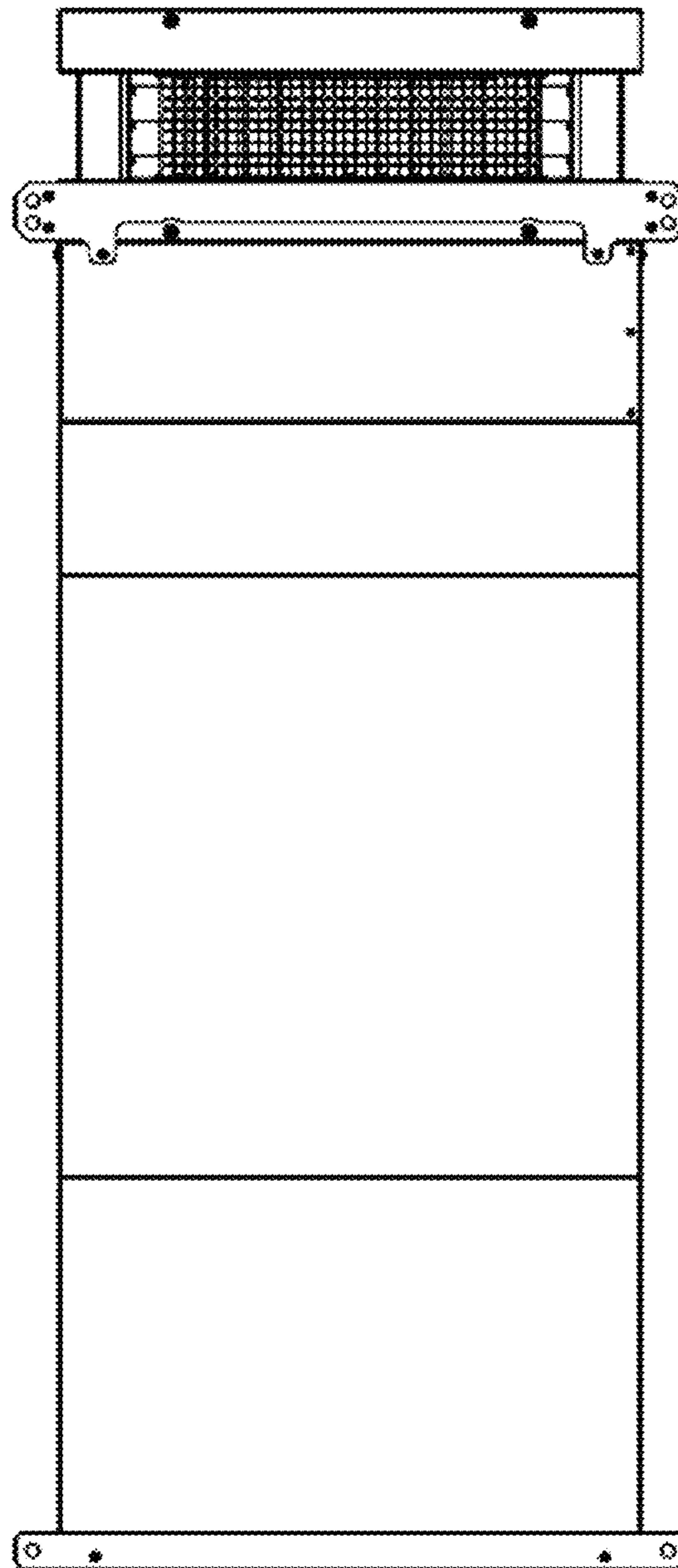
2.6



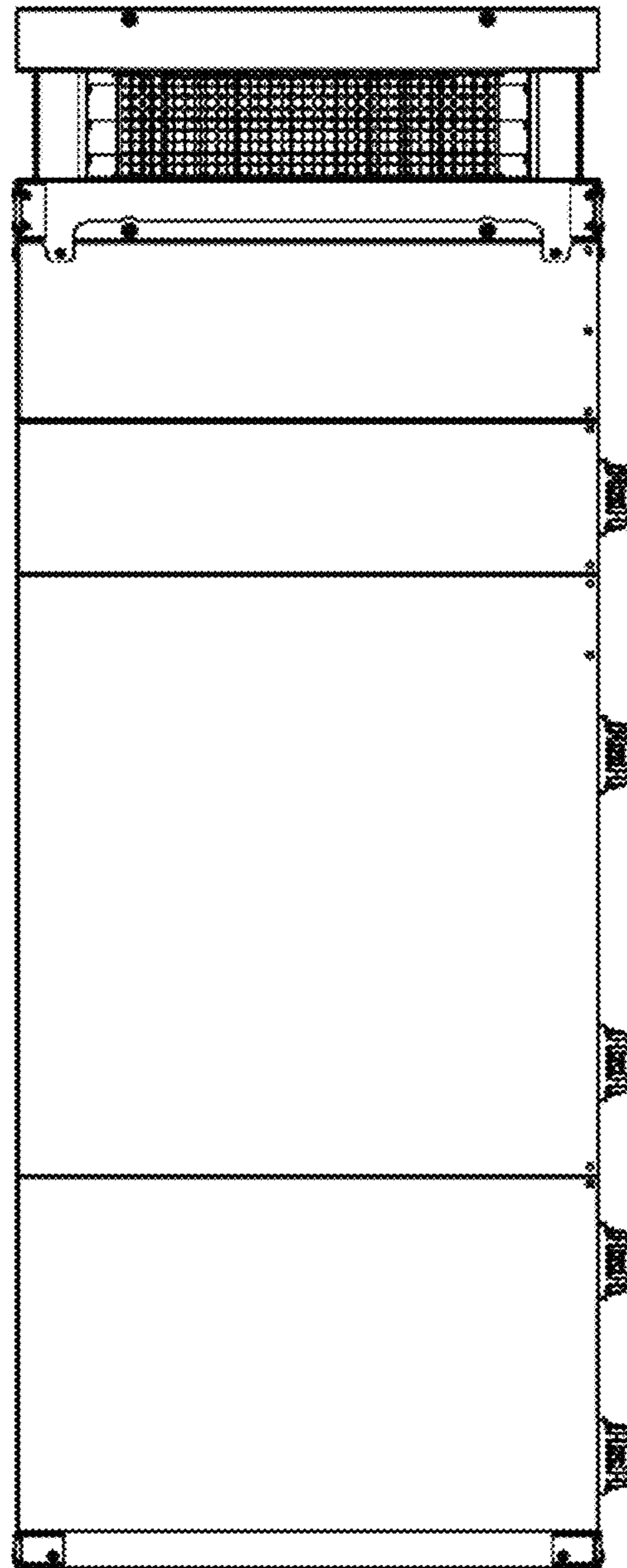
3.1



3.2

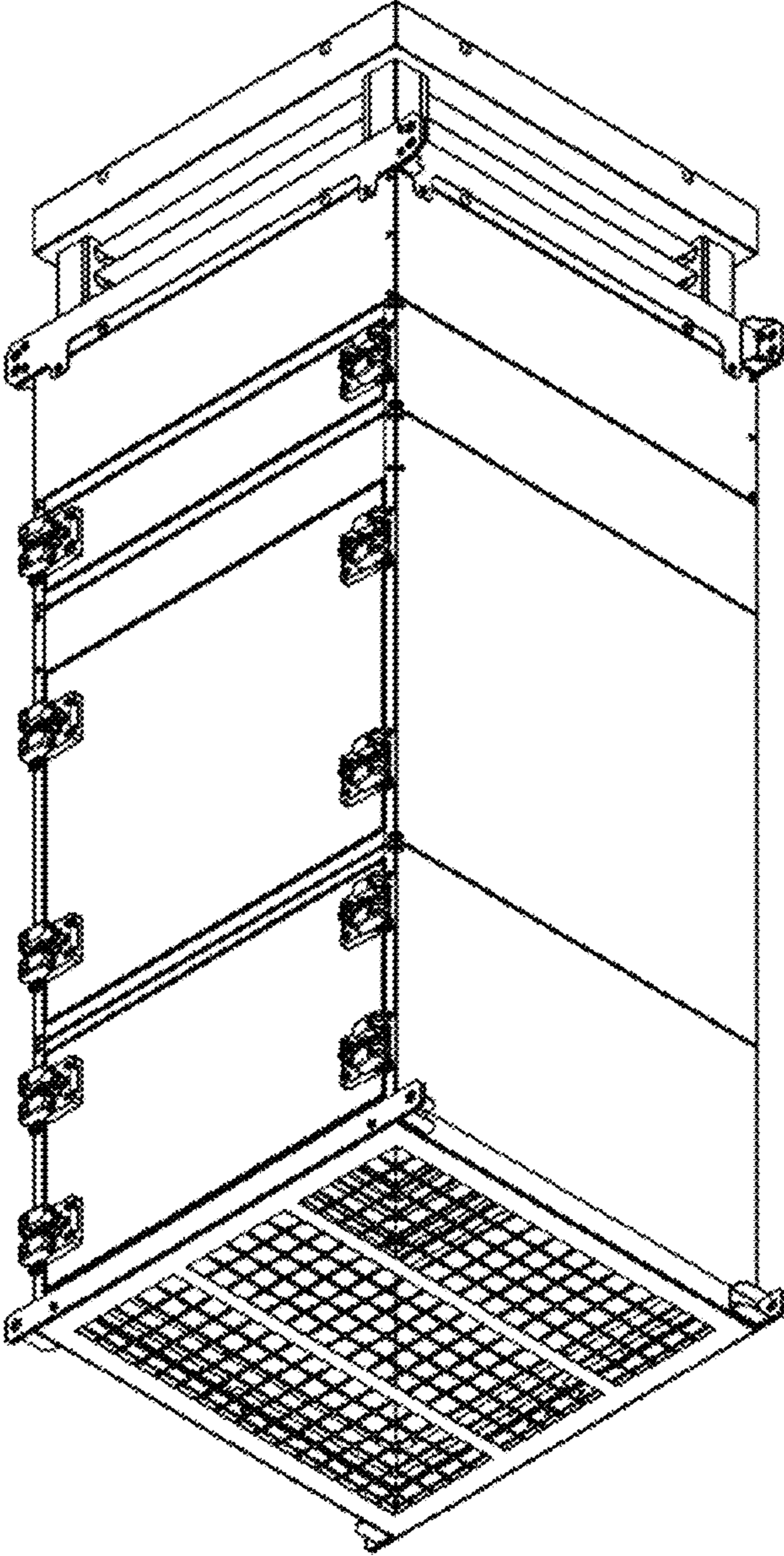


3.3

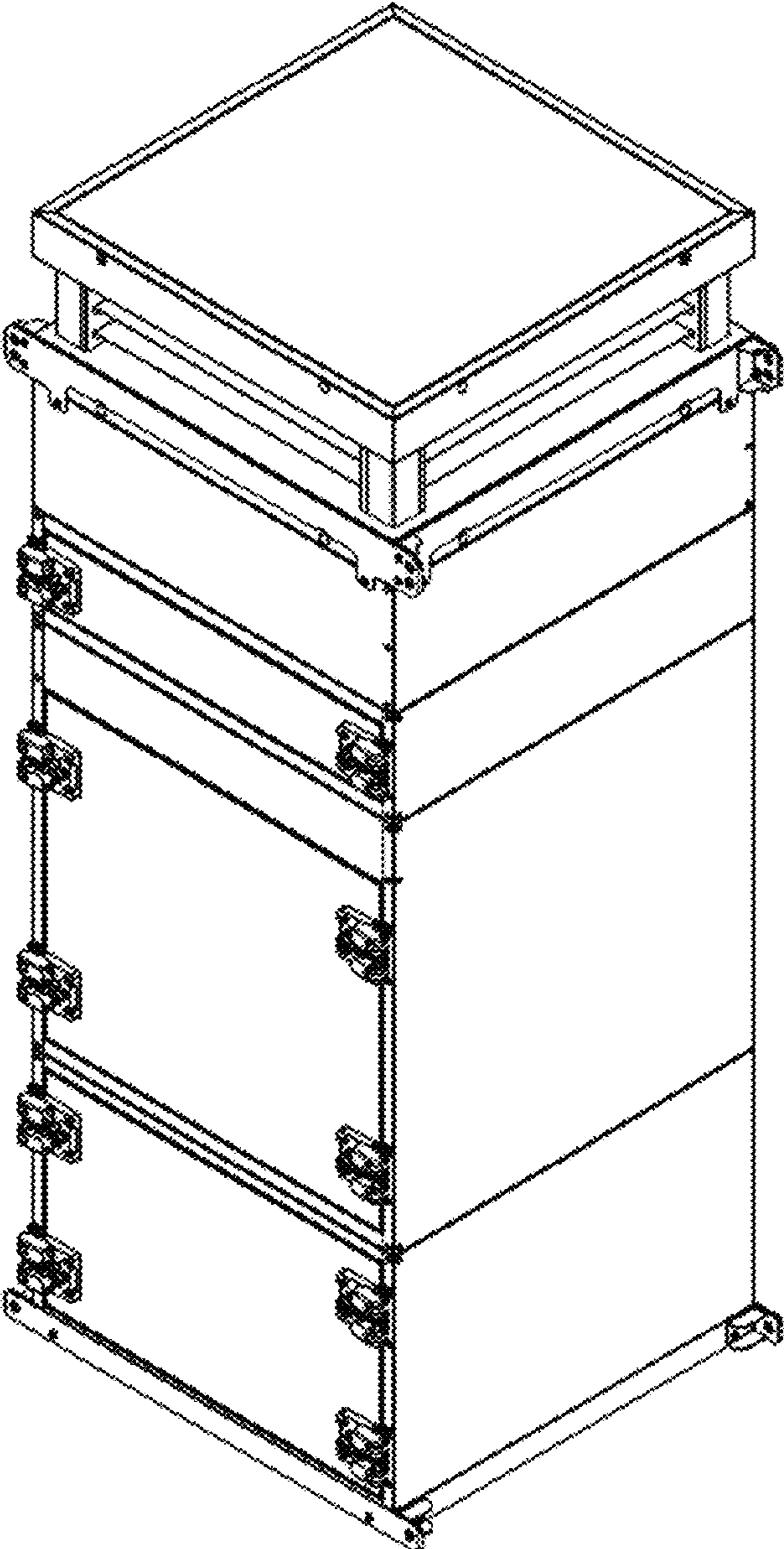




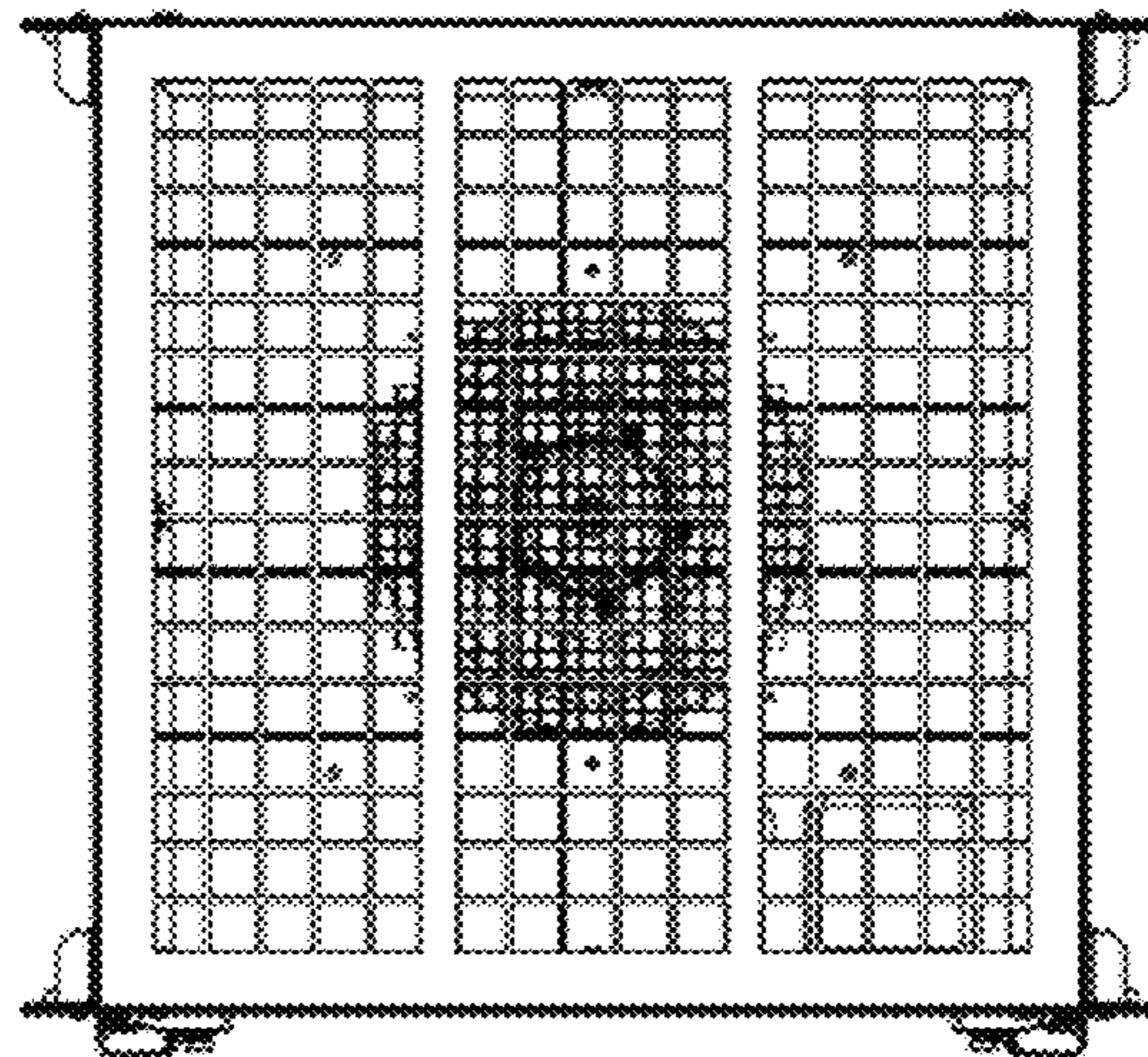
3.4



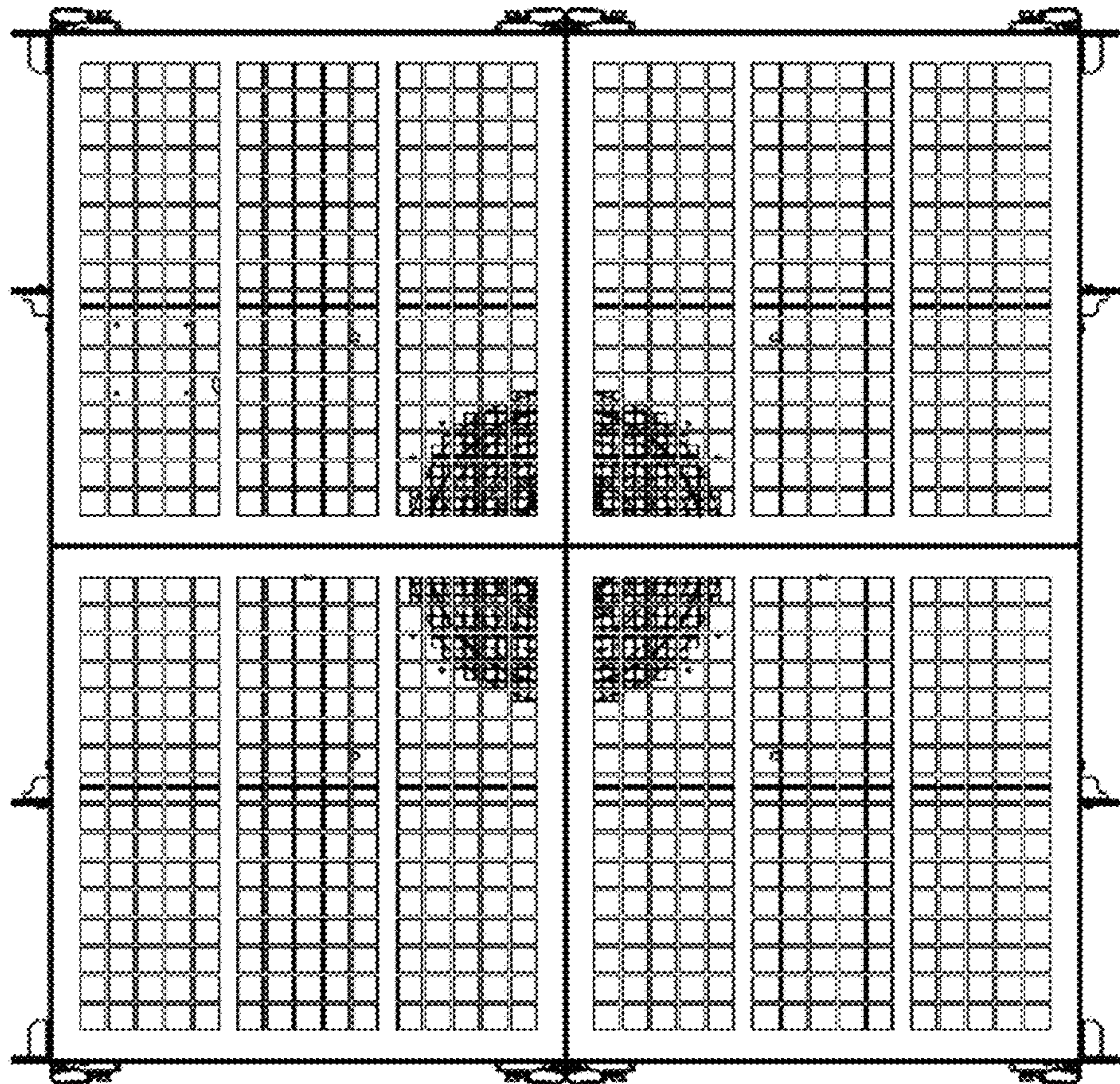
3.5



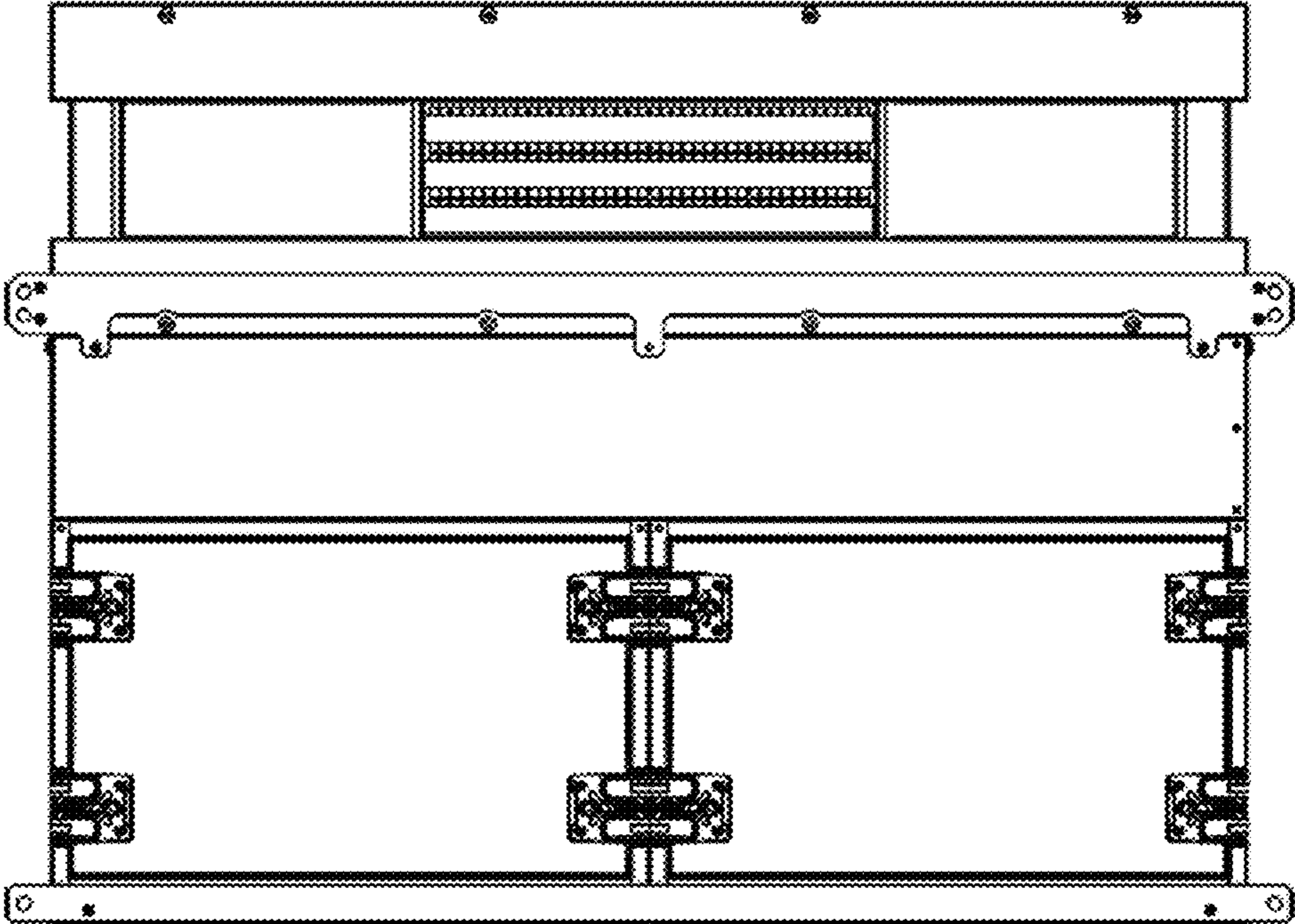
3.6



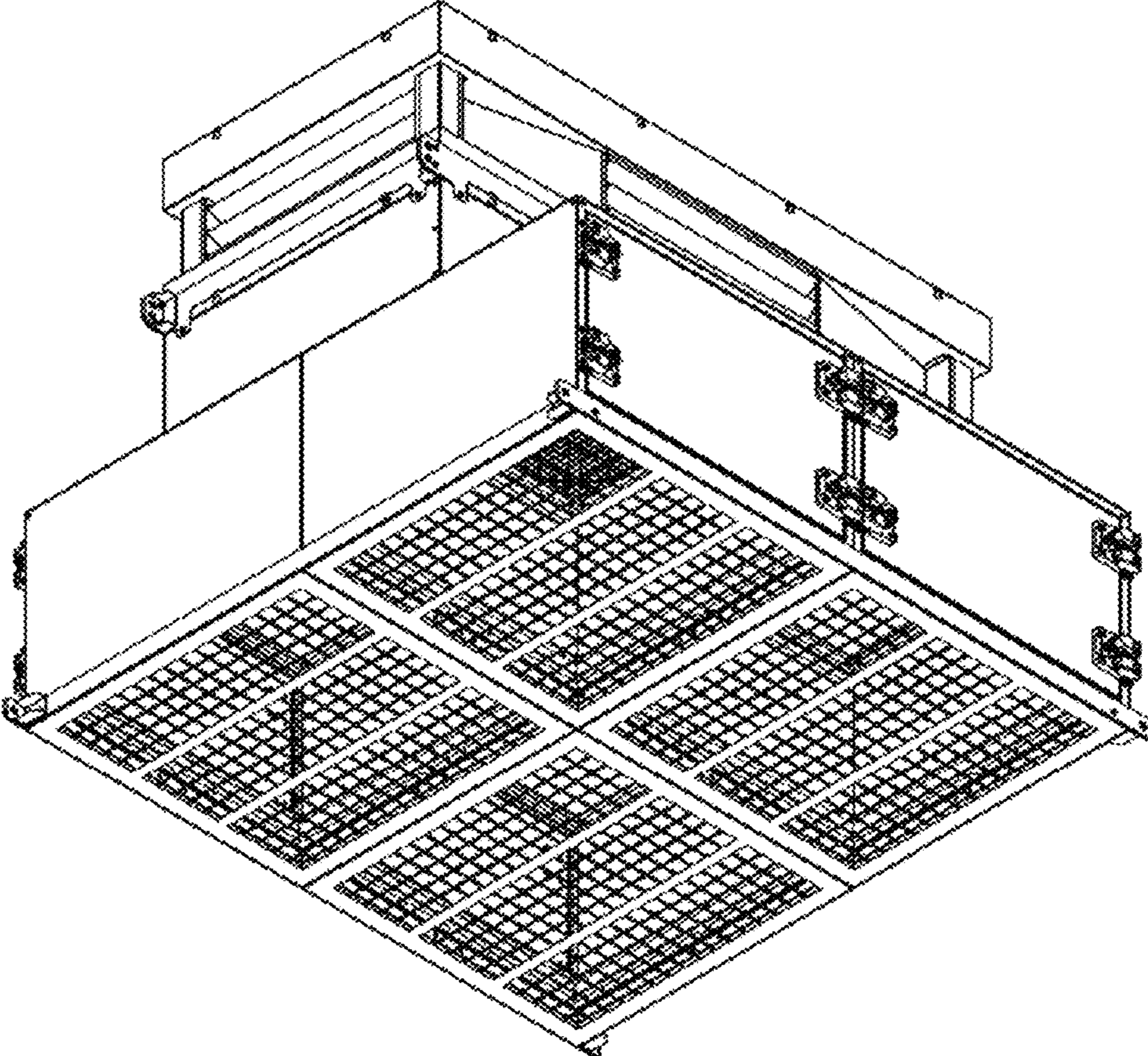
4.1



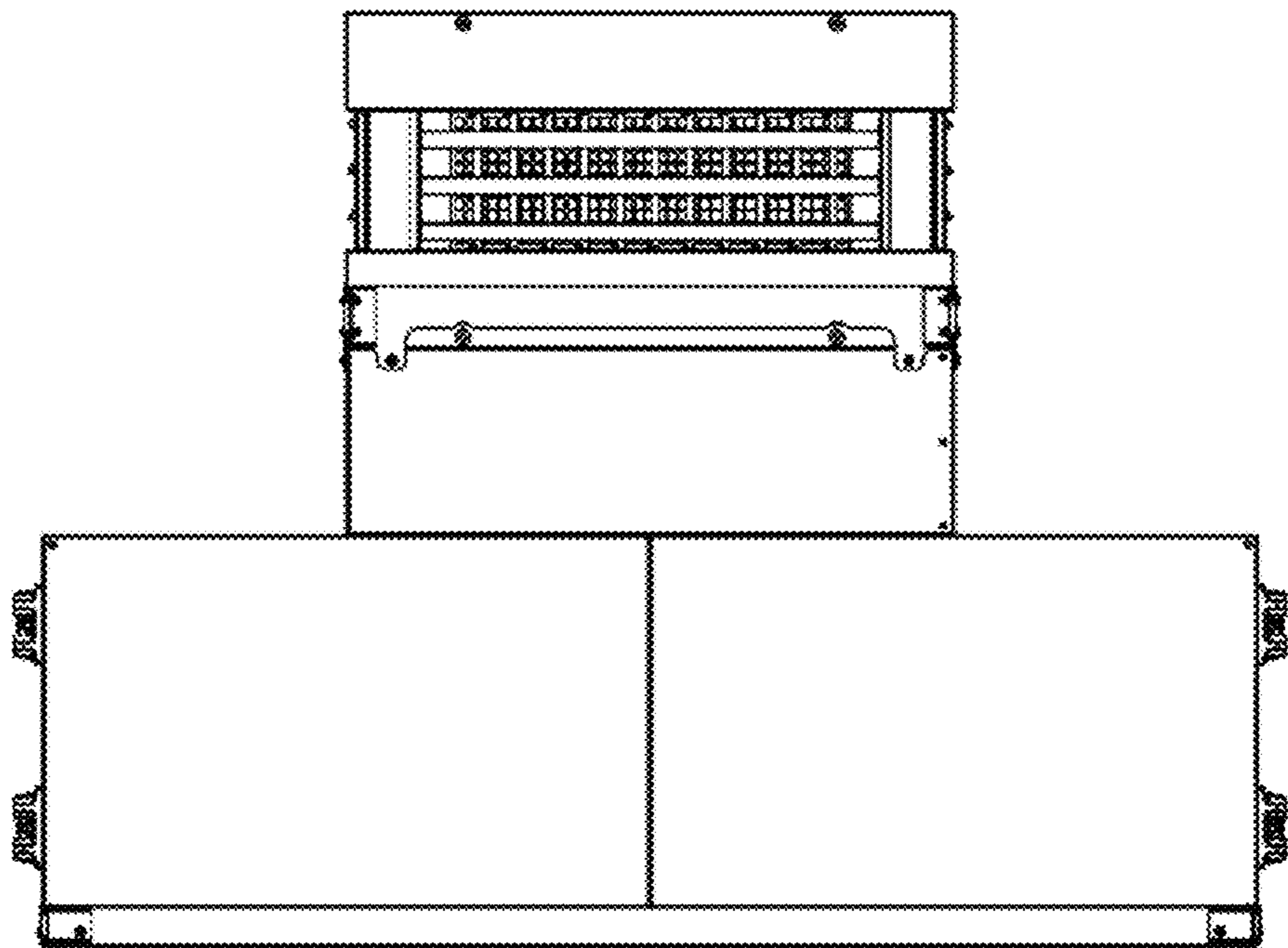
4.2



4.3



4.4



4.5

