



US00D979729S

(12) **United States Design Patent** (10) **Patent No.:** **US D979,729 S**  
**Yu** (45) **Date of Patent:** **\*\* Feb. 28, 2023**

(54) **AIR PURIFIER**

FOREIGN PATENT DOCUMENTS

(71) Applicant: **Baren Home Appliance Technology (Dongguan) Co., Lt, Dongguan (CN)**

CN 201930169543.X \* 11/2019  
CN 202030542678.9 \* 5/2021  
CN 202130148201.7 \* 7/2021  
CN 202030342699.6 \* 10/2021

(72) Inventor: **Zhiming Yu, Dongguan (CN)**

(\*\*) Term: **15 Years**

OTHER PUBLICATIONS

(21) Appl. No.: **29/804,276**

(22) Filed: **Aug. 19, 2021**

Yiju B-D02U Air Purifier. Amazon Standard ID# (ASIN) B09B9RNM6. Catalogue [Online]. Amazon.com 2021. [Date first Available Sep. 11, 2021][Retrieved on Nov. 28, 2022]. Retrieved from the Internet: <URL:https://www.amazon.com/gp/product/B09B9RNM6> (Year: 2021).\*

(51) **LOC (14) Cl.** ..... **23-04**

(52) **U.S. Cl.**  
USPC ..... **D23/364**

Mooka B-D02L Air Purifier. Amazon Standard ID# (ASIN) B08PJQ3MWB. Catalogue [Online]. Amazon.com 2021. [Date first Available Feb. 8, 2021][Retrieved on Nov. 28, 2022]. Retrieved from the Internet: <URL:https://www.amazon.com/MOOKA-Eliminator-Allergies-Available-California/dp/B08PJQ3MWB> (Year: 2021).\*

(58) **Field of Classification Search**

USPC ..... D23/314, 332, 333, 335, 336, 355, 356, D23/364, 365, 366, 378  
CPC .... F24F 1/0022; F24F 3/14; F24F 6/06; F24F 8/80; B01D 46/00281; B01D 46/0043; A61L 2209/12; A61L 2209/14

See application file for complete search history.

\* cited by examiner

(56) **References Cited**

U.S. PATENT DOCUMENTS

D835,766 S \* 12/2018 Chen ..... D23/364  
D877,874 S \* 3/2020 Liu ..... D23/364  
D882,056 S \* 4/2020 Baillie ..... D23/364  
D886,272 S \* 6/2020 Yang ..... D23/364  
D938,565 S \* 12/2021 Yang ..... D23/364  
D938,566 S \* 12/2021 Yang ..... D23/364  
D939,680 S \* 12/2021 Luo ..... D23/356  
D942,604 S \* 2/2022 Yang ..... D23/364  
D943,072 S \* 2/2022 Hu ..... D23/356  
D944,959 S \* 3/2022 Wang ..... D23/364  
D946,732 S \* 3/2022 Xu ..... D23/364  
D950,033 S \* 4/2022 Peng ..... D23/364  
D950,034 S \* 4/2022 Peng ..... D23/364  
D959,632 S \* 8/2022 Nikitas ..... D23/364  
D962,413 S \* 8/2022 Li ..... D23/366  
D964,537 S \* 9/2022 Chen ..... D23/364  
D966,482 S \* 10/2022 Shan ..... D23/364

*Primary Examiner* — Janice Hallmark

*Assistant Examiner* — Adedoyin Taiwo Odeyale

(74) *Attorney, Agent, or Firm* — Rumit Ranjit Kanakia

(57) **CLAIM**

I claim the ornamental design for an air purifier, as shown and described.

**DESCRIPTION**

FIG. 1 is a Perspective view of an air purifier showing my new design;

FIG. 2 is a Bottom Perspective view thereof;

FIG. 3 is a Front view thereof;

FIG. 4 is a Back view thereof;

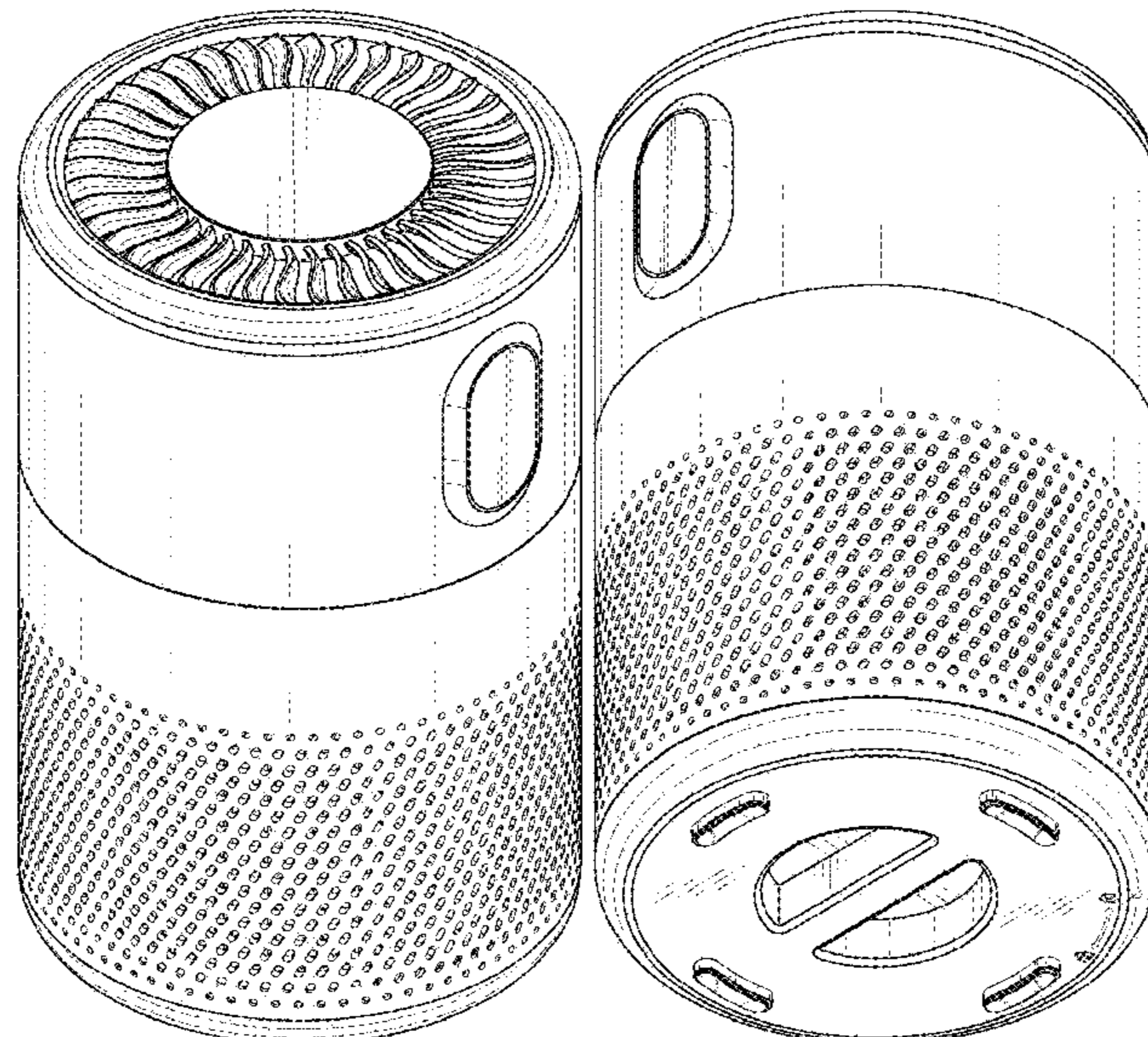
FIG. 5 is a Right-side view thereof;

FIG. 6 is a Left-side view thereof;

FIG. 7 is a Top view thereof; and,

FIG. 8 is a Bottom view thereof.

**1 Claim, 8 Drawing Sheets**





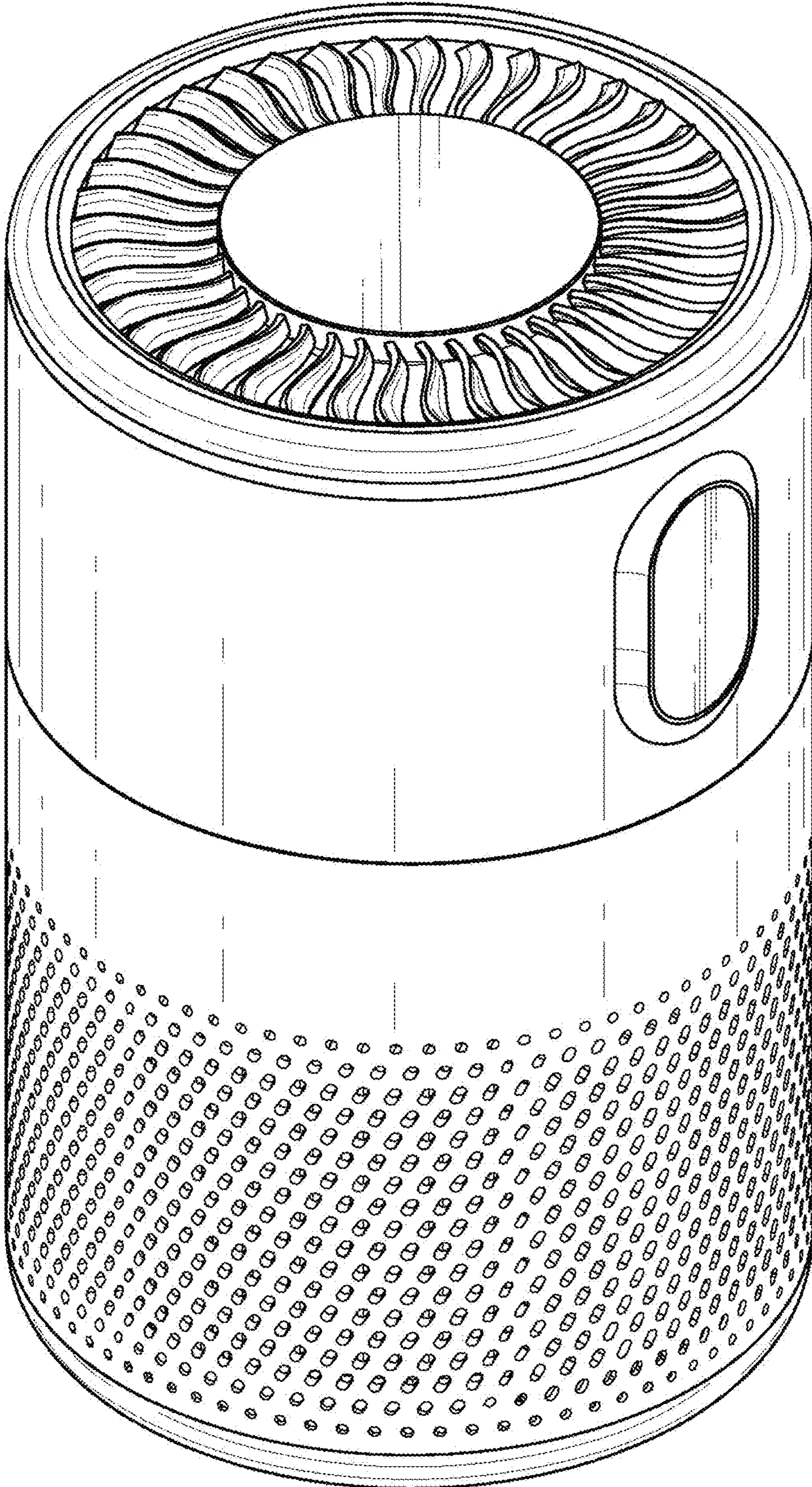


FIG. 1



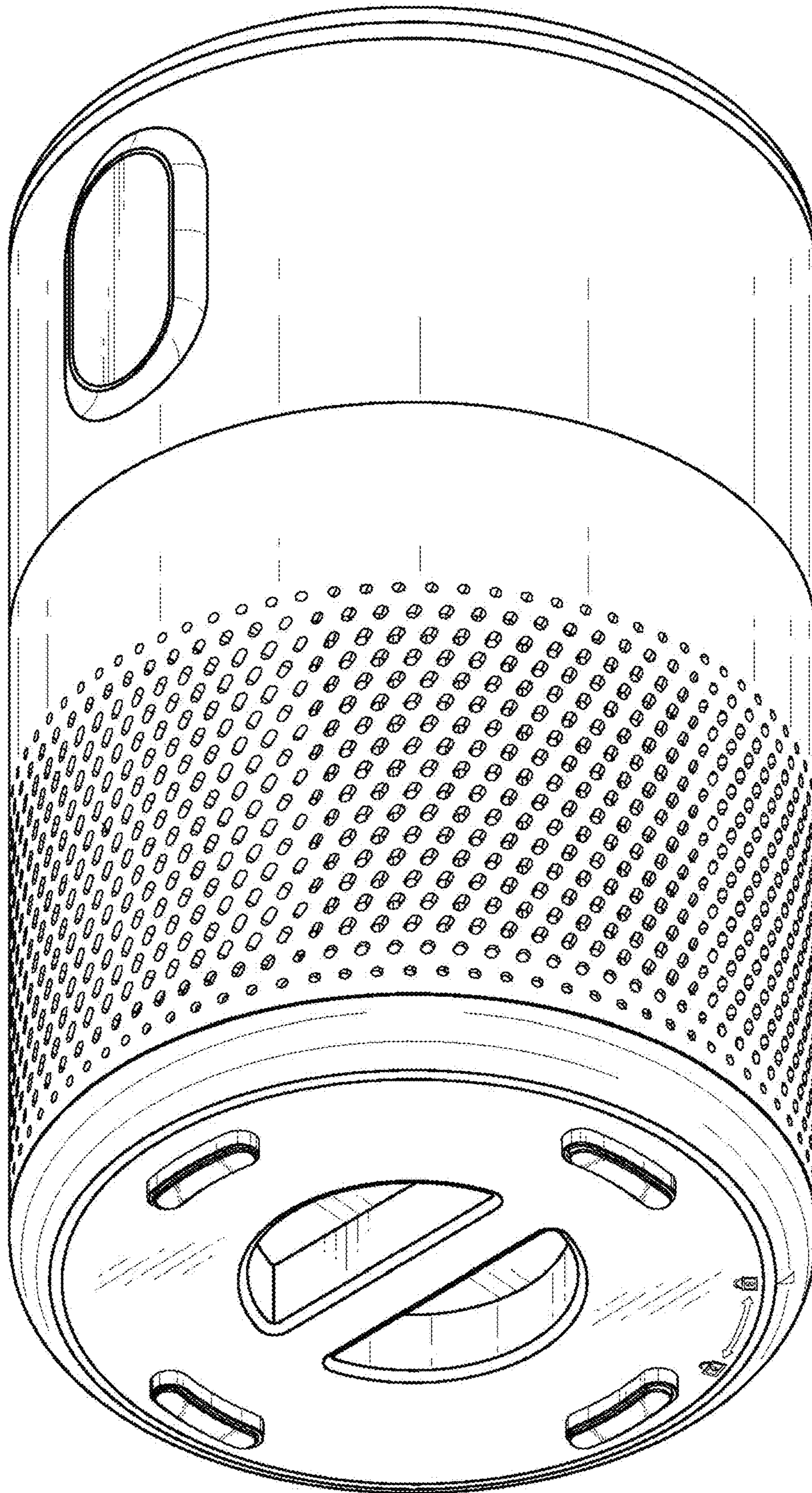


FIG. 2



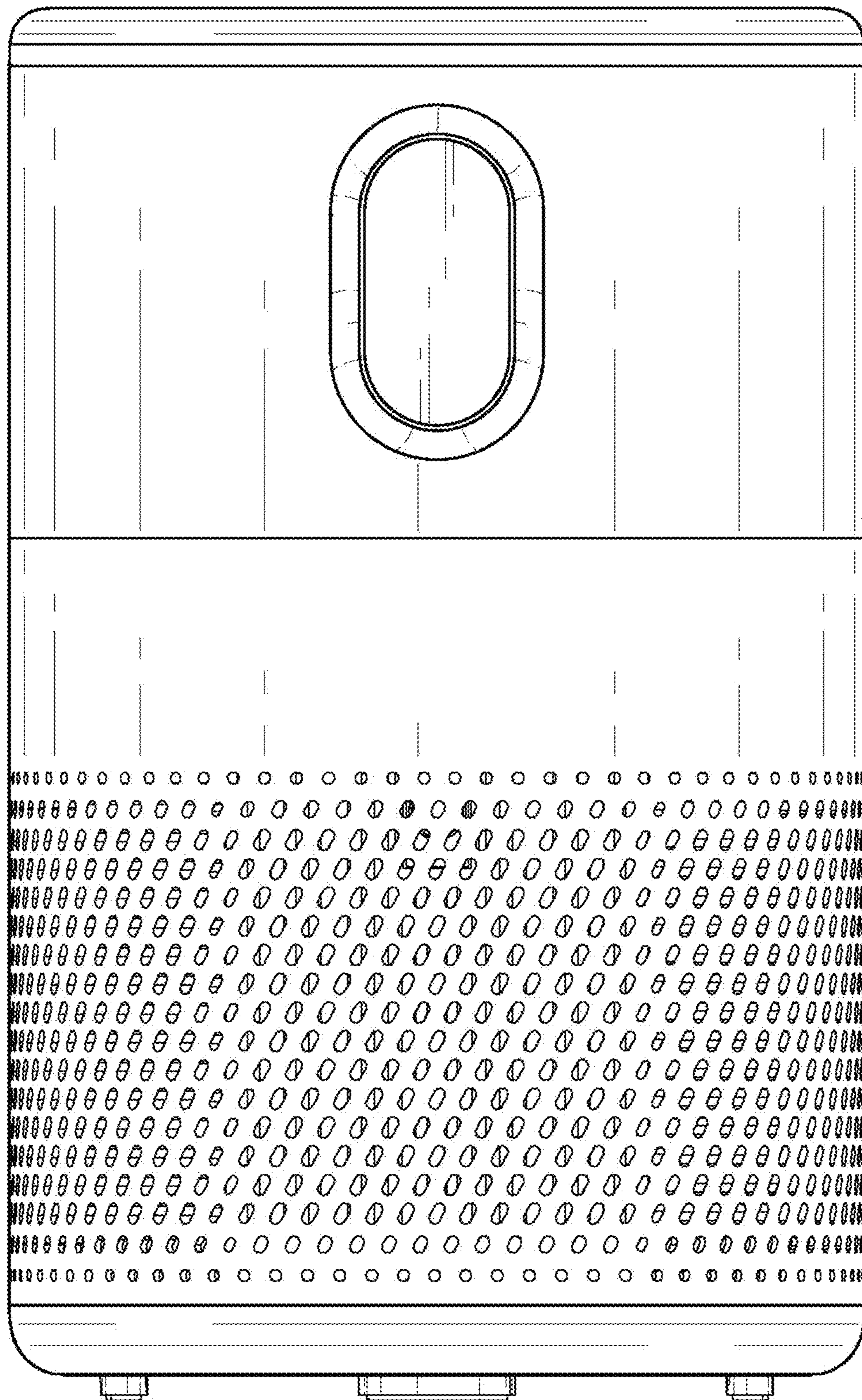


FIG. 3

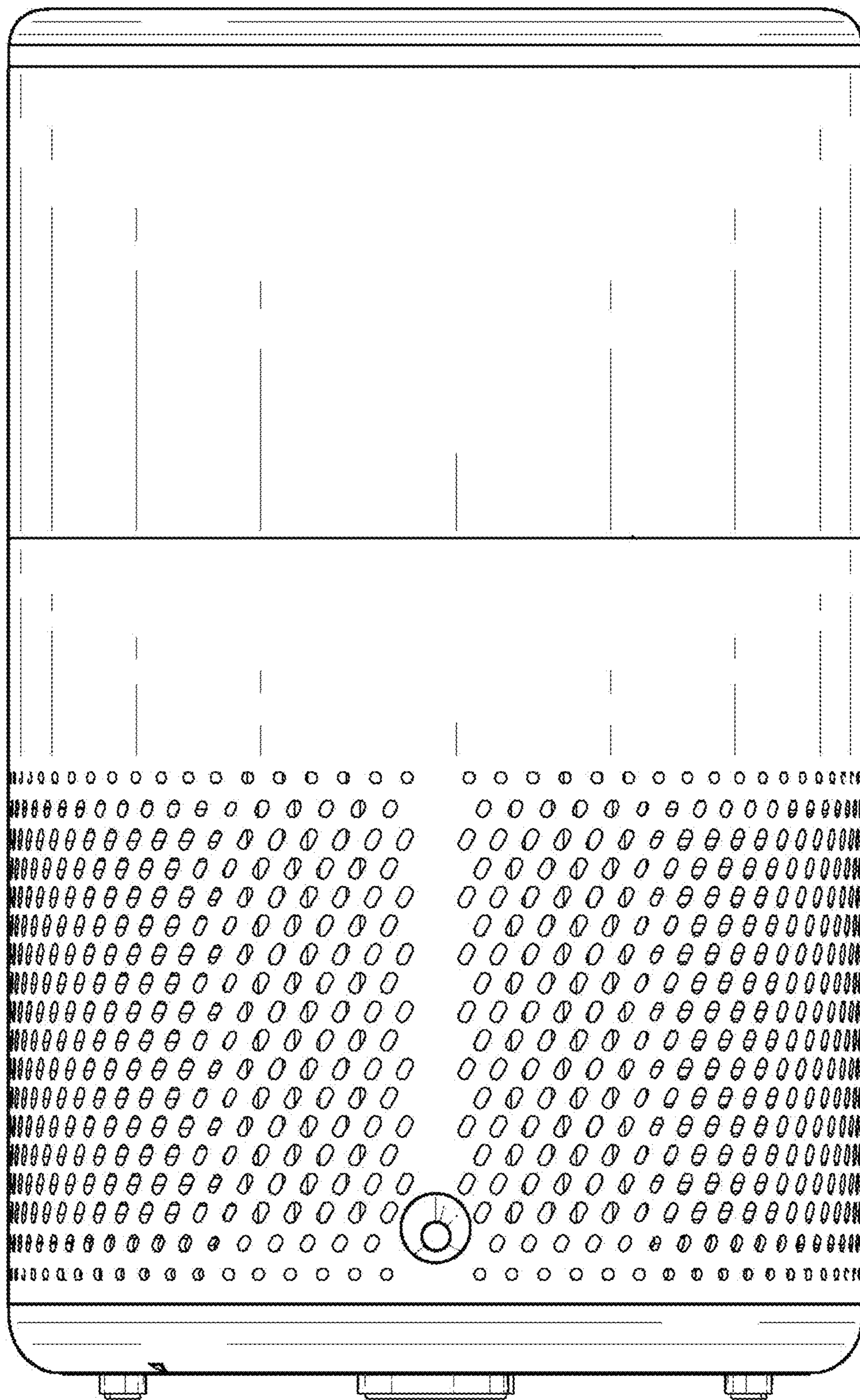


FIG. 4



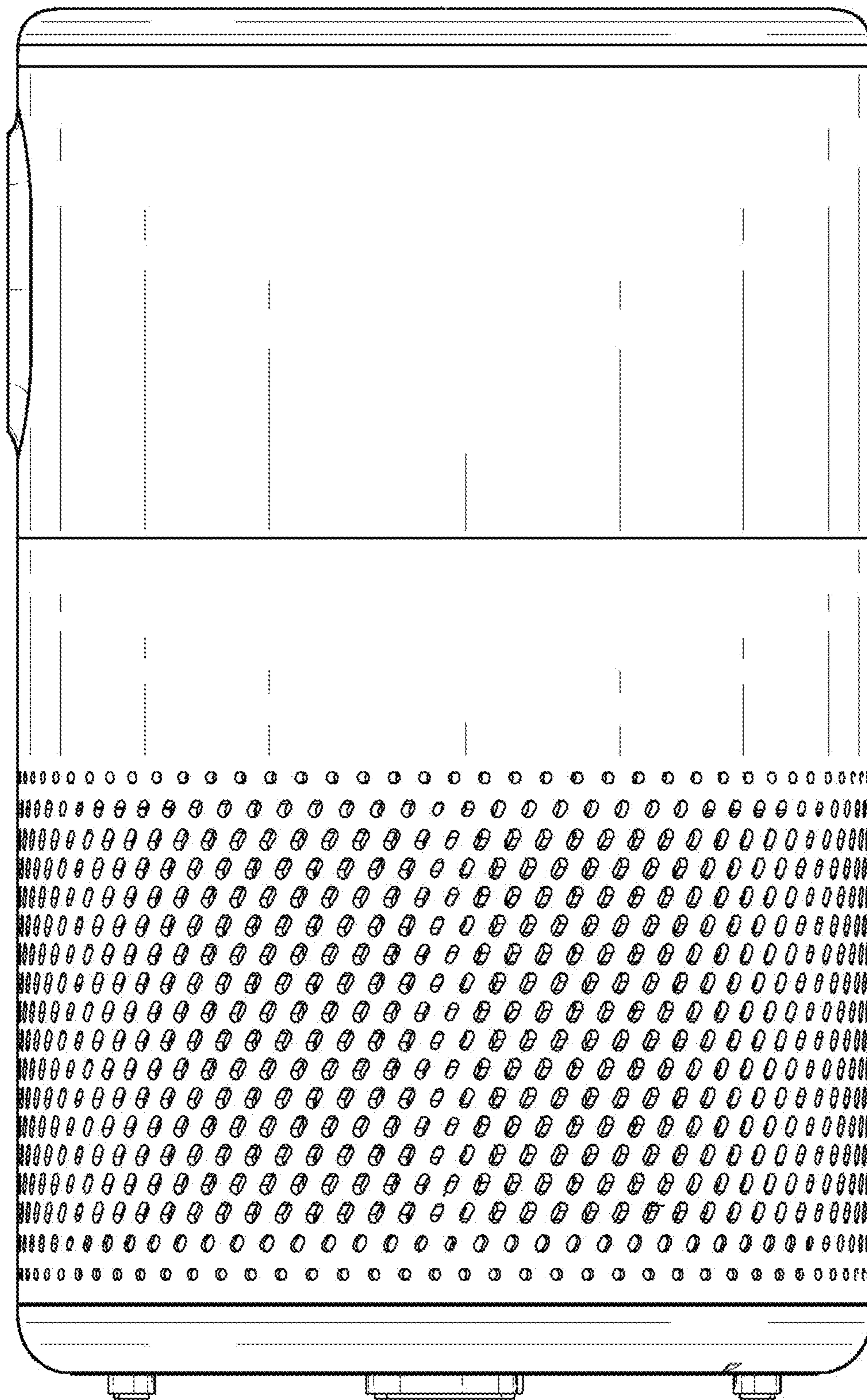


FIG. 5

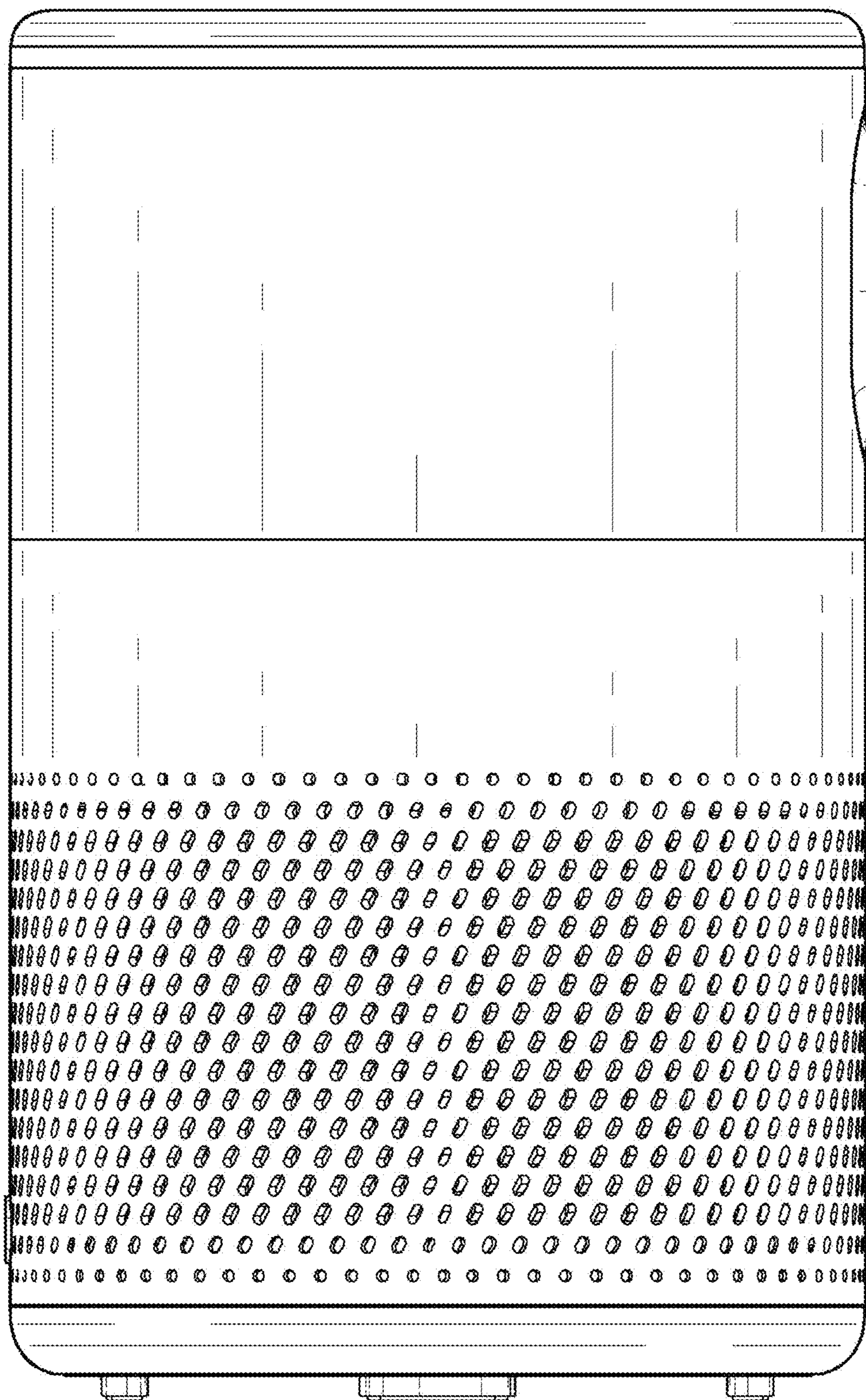


FIG. 6



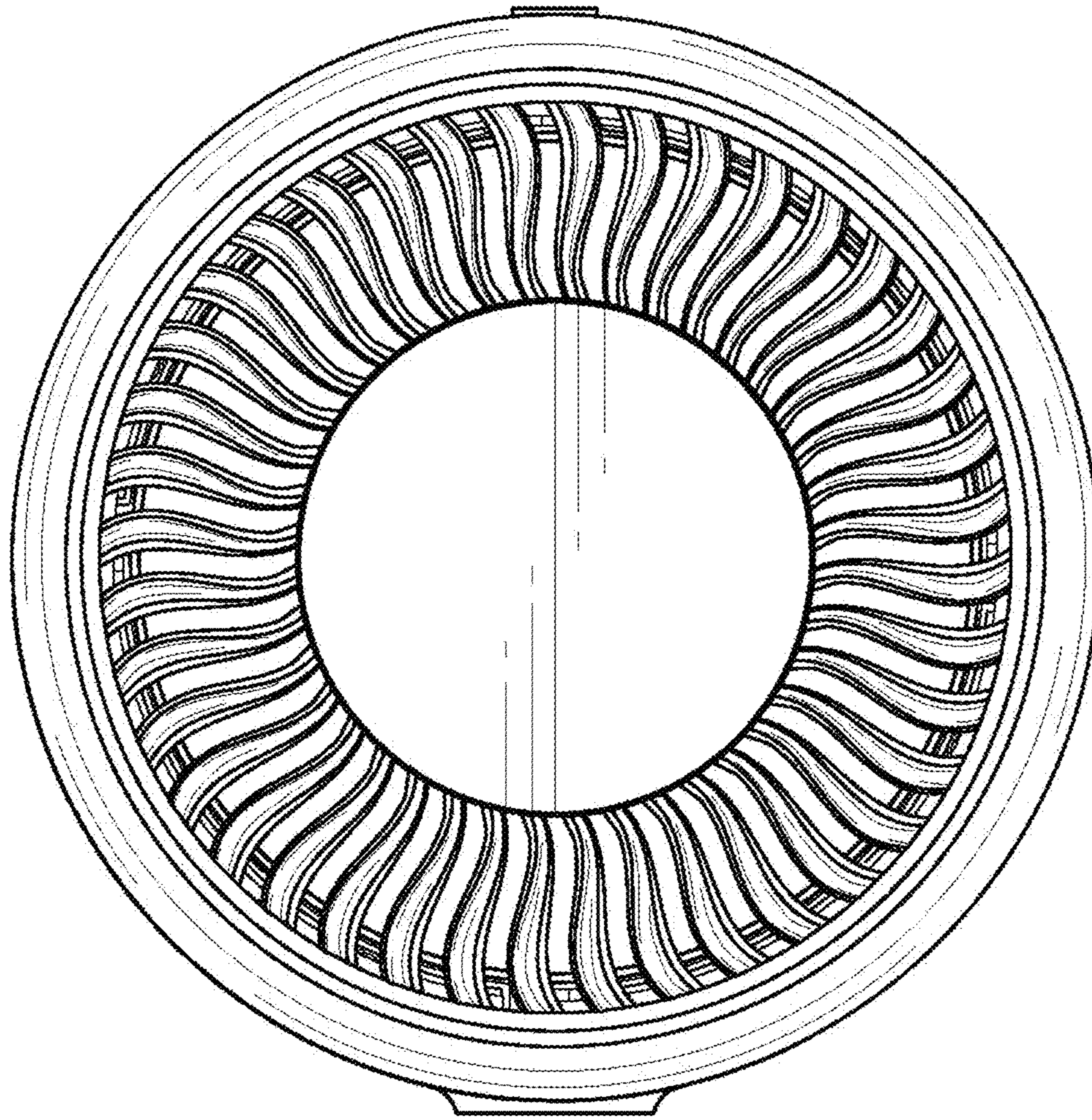


FIG. 7



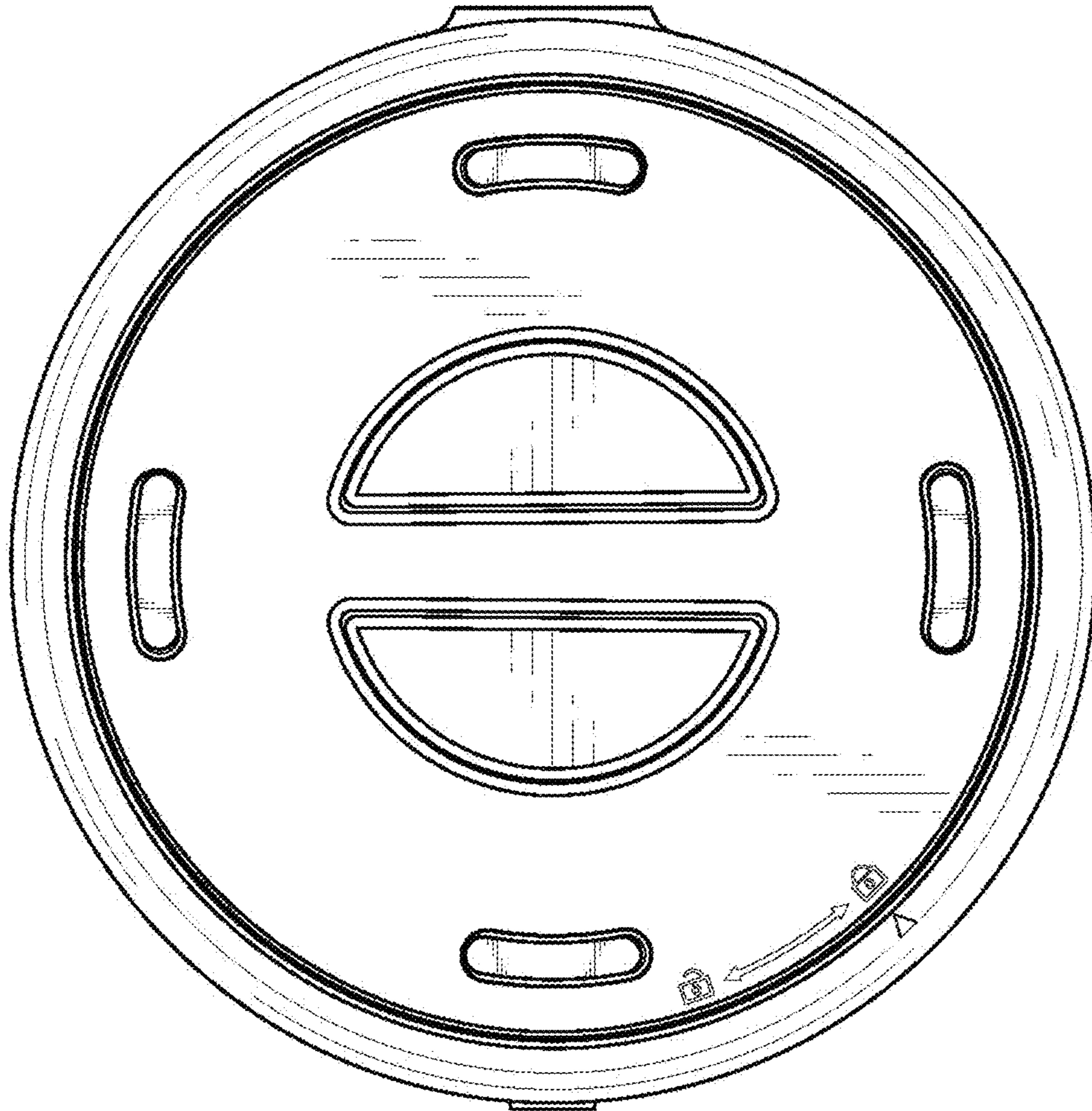


FIG. 8