



US00D979728S

(12) **United States Design Patent** (10) **Patent No.:** **US D979,728 S**  
**Luo** (45) **Date of Patent:** **\*\* Feb. 28, 2023**

(54) **HUMIDIFIER**

(71) Applicant: **ZHONGSHAN HAOQI  
ELECTRICAL APPLIANCE CO.,  
LTD, Zhongshan (CN)**

(72) Inventor: **Jinqi Luo, Loudi (CN)**

(73) Assignee: **ZHONGSHAN HAOQI  
ELECTRICAL APPLIANCE CO.,  
LTD, Zhongshan (CN)**

(\*\*) Term: **15 Years**

(21) Appl. No.: **29/784,085**

(22) Filed: **May 18, 2021**

(30) **Foreign Application Priority Data**

Feb. 2, 2021 (CN) ..... 202130073968.8

(51) **LOC (14) Cl.** ..... **23-04**

(52) **U.S. Cl.**  
USPC ..... **D23/356**

(58) **Field of Classification Search**  
USPC ..... D23/355-366, 352, 369, 332, 333, 335,  
D23/336, 342, 351  
CPC .. A61L 9/16; A61L 9/22; B01D 47/00; B01D  
47/027; B01D 2221/02; B01D 2259/4508;  
B03C 3/155; B03C 3/368; F24F 3/16;  
F24F 13/20; F24F 13/28  
See application file for complete search history.

(56) **References Cited**

U.S. PATENT DOCUMENTS

D468,414 S \* 1/2003 Fok ..... D23/378  
D558,319 S \* 12/2007 Ishiguro ..... D23/356

D586,899 S \* 2/2009 Searle ..... D23/364  
D654,577 S \* 2/2012 Smith ..... D23/314  
D745,129 S \* 12/2015 Nakagawa ..... D23/364  
D854,670 S \* 7/2019 Fang ..... D23/352  
D865,144 S \* 10/2019 Yoo ..... D23/333  
D886,268 S \* 6/2020 Montagnino ..... D23/364  
D912,795 S \* 3/2021 Wang ..... D23/364  
D915,574 S \* 4/2021 Levinson ..... D23/360  
D916,262 S \* 4/2021 Wang ..... D23/356  
D928,931 S \* 8/2021 Lyu ..... D23/364  
D935,008 S \* 11/2021 Oura ..... D23/366  
D935,586 S \* 11/2021 Sun ..... D23/356  
D947,341 S \* 3/2022 Xia ..... D23/364  
D947,343 S \* 3/2022 Xia ..... D23/364  
D953,501 S \* 5/2022 Seo ..... D23/356

\* cited by examiner

*Primary Examiner* — David G Muller

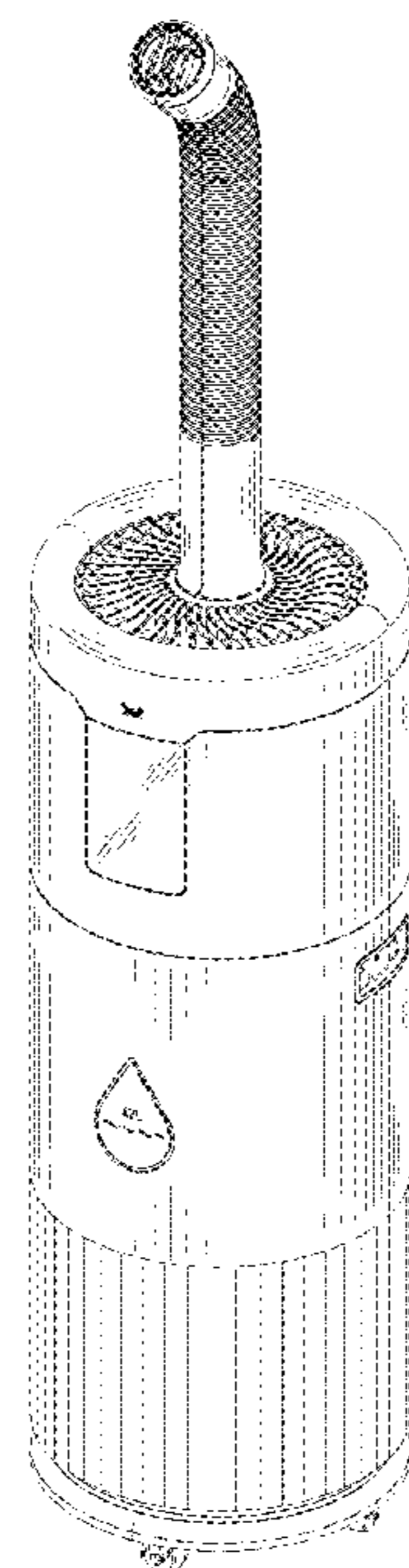
(57) **CLAIM**

The ornamental design for a humidifier, as shown and described.

**DESCRIPTION**

FIG. 1 is a perspective view of a humidifier showing my new design;  
FIG. 2 is another perspective view thereof;  
FIG. 3 is a front elevational view thereof;  
FIG. 4 is a rear elevational view thereof;  
FIG. 5 is a left side elevational view thereof;  
FIG. 6 is a right side elevational view thereof;  
FIG. 7 is a top plan view thereof; and,  
FIG. 8 is a bottom plan view thereof.  
The broken lines in the drawings depict portions of the humidifier that form no part of the claimed design.

**1 Claim, 8 Drawing Sheets**



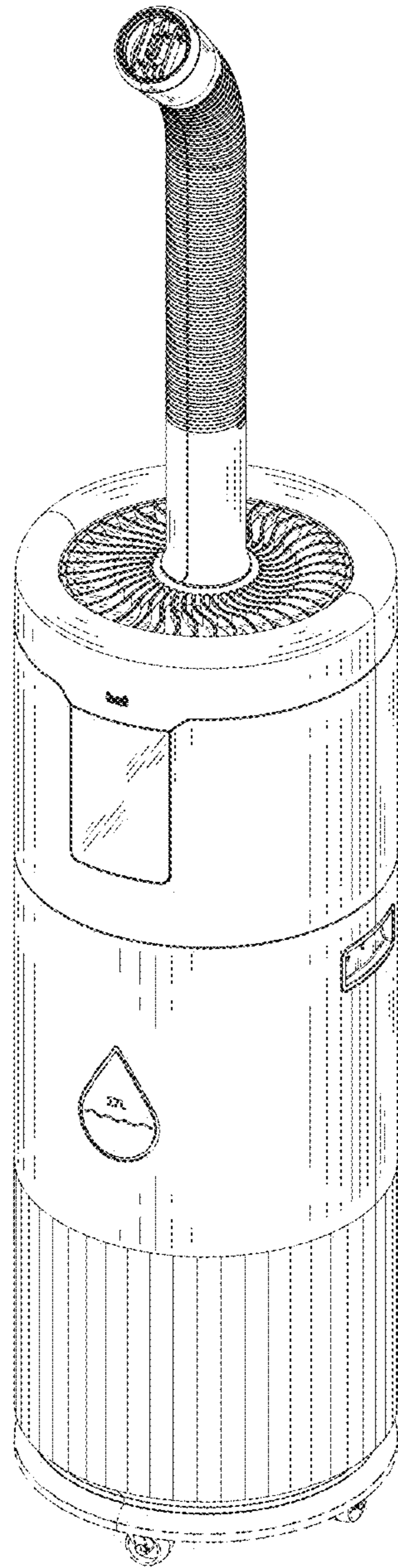


FIG.1

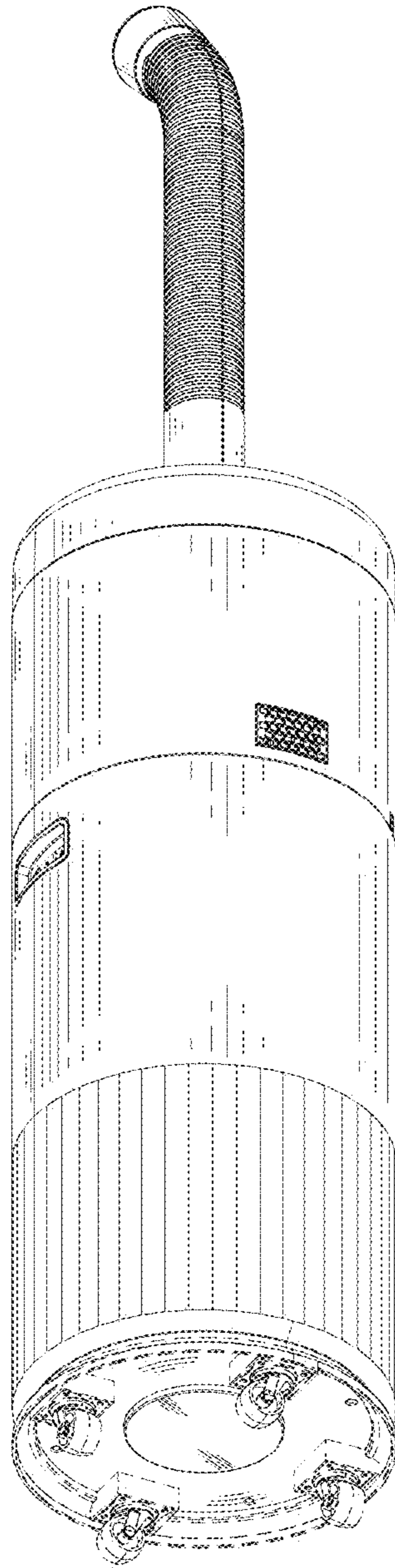


FIG.2

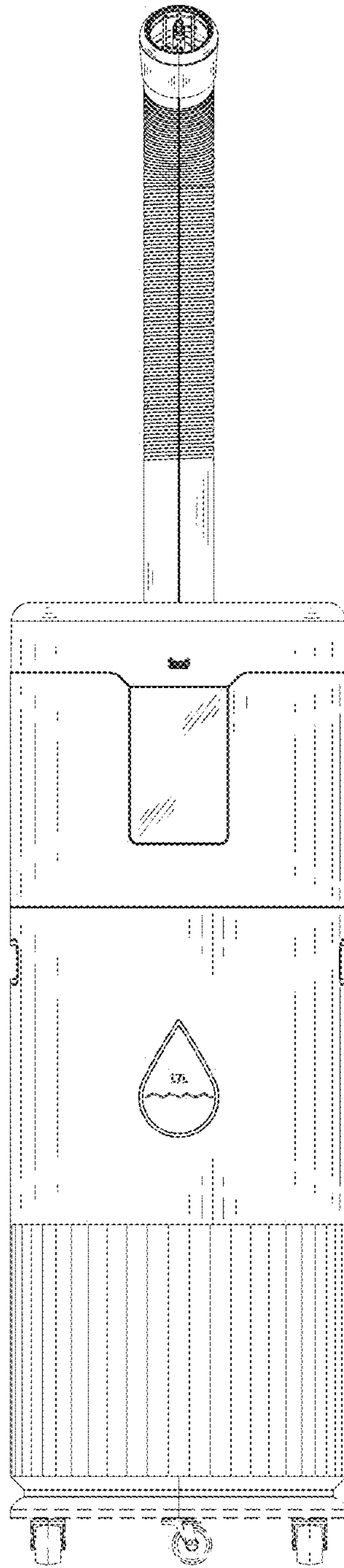


FIG. 3

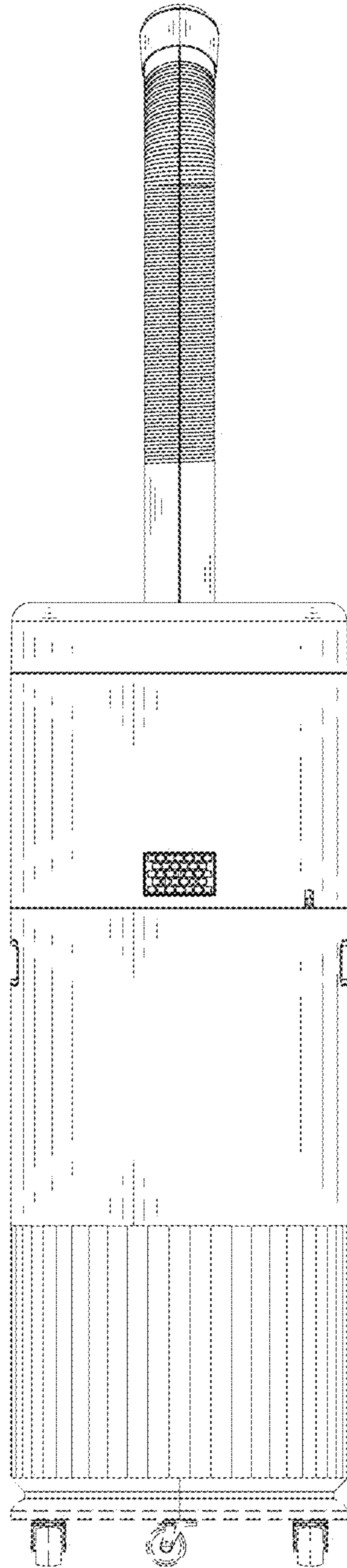


FIG.4

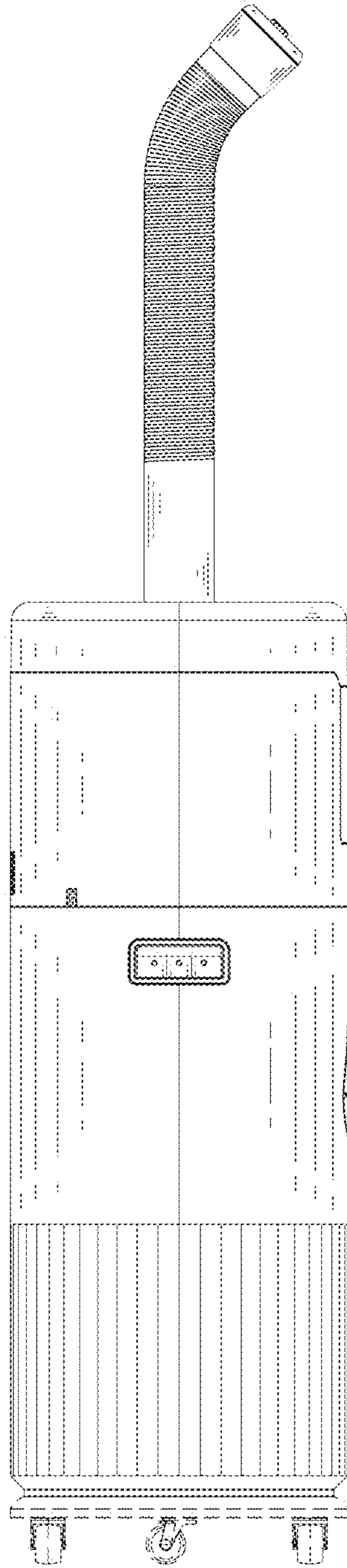


FIG. 5

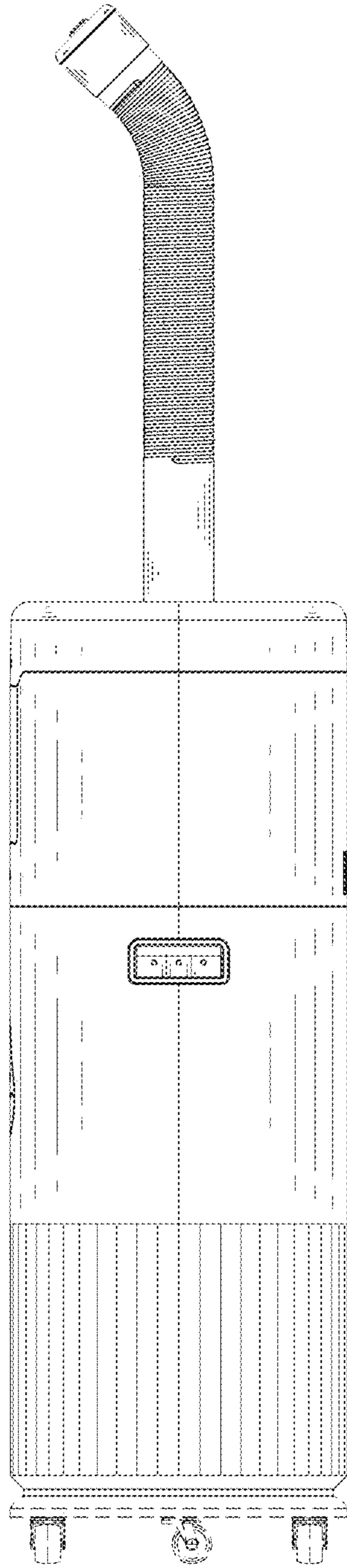


FIG.6

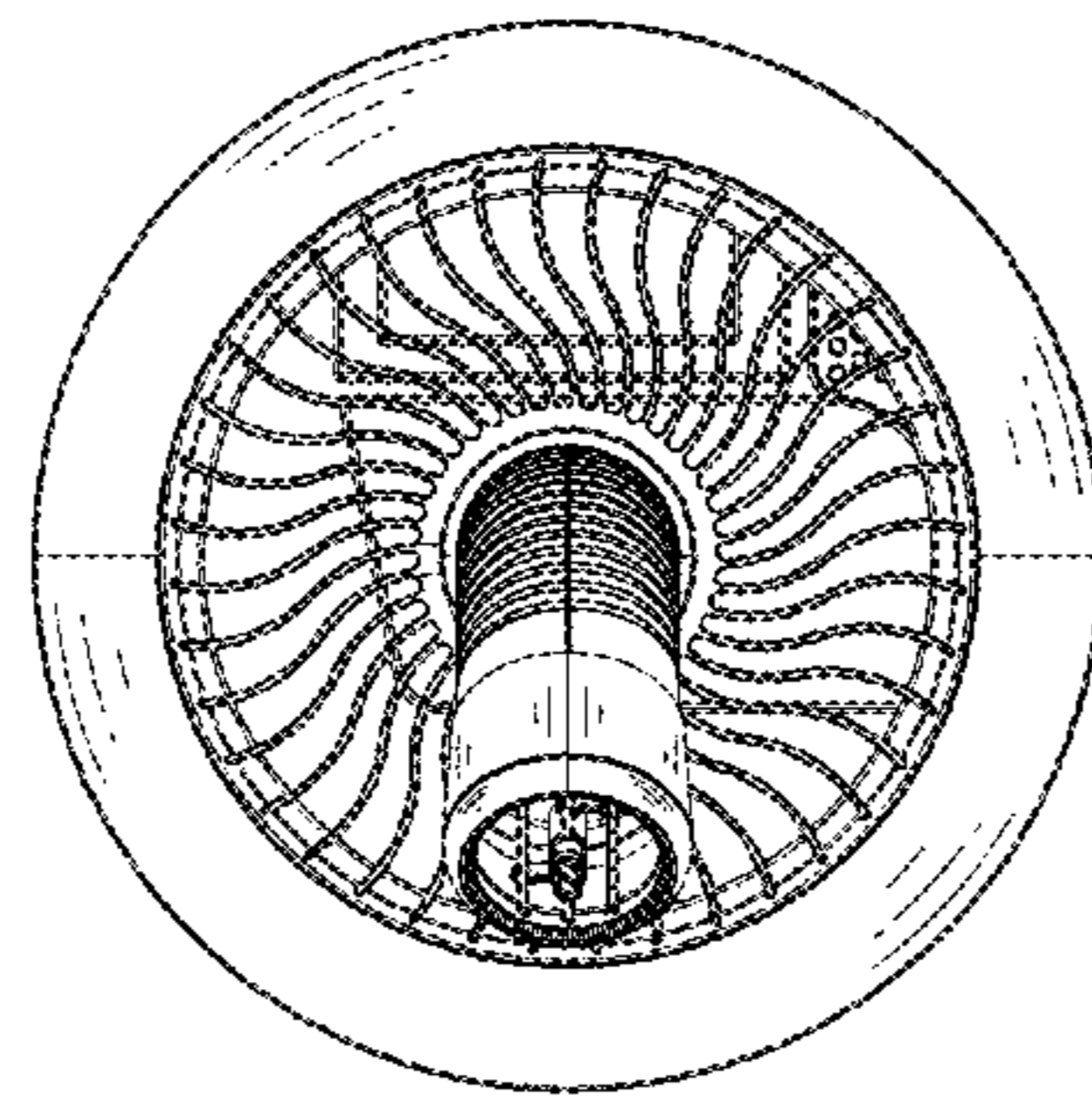


FIG. 7



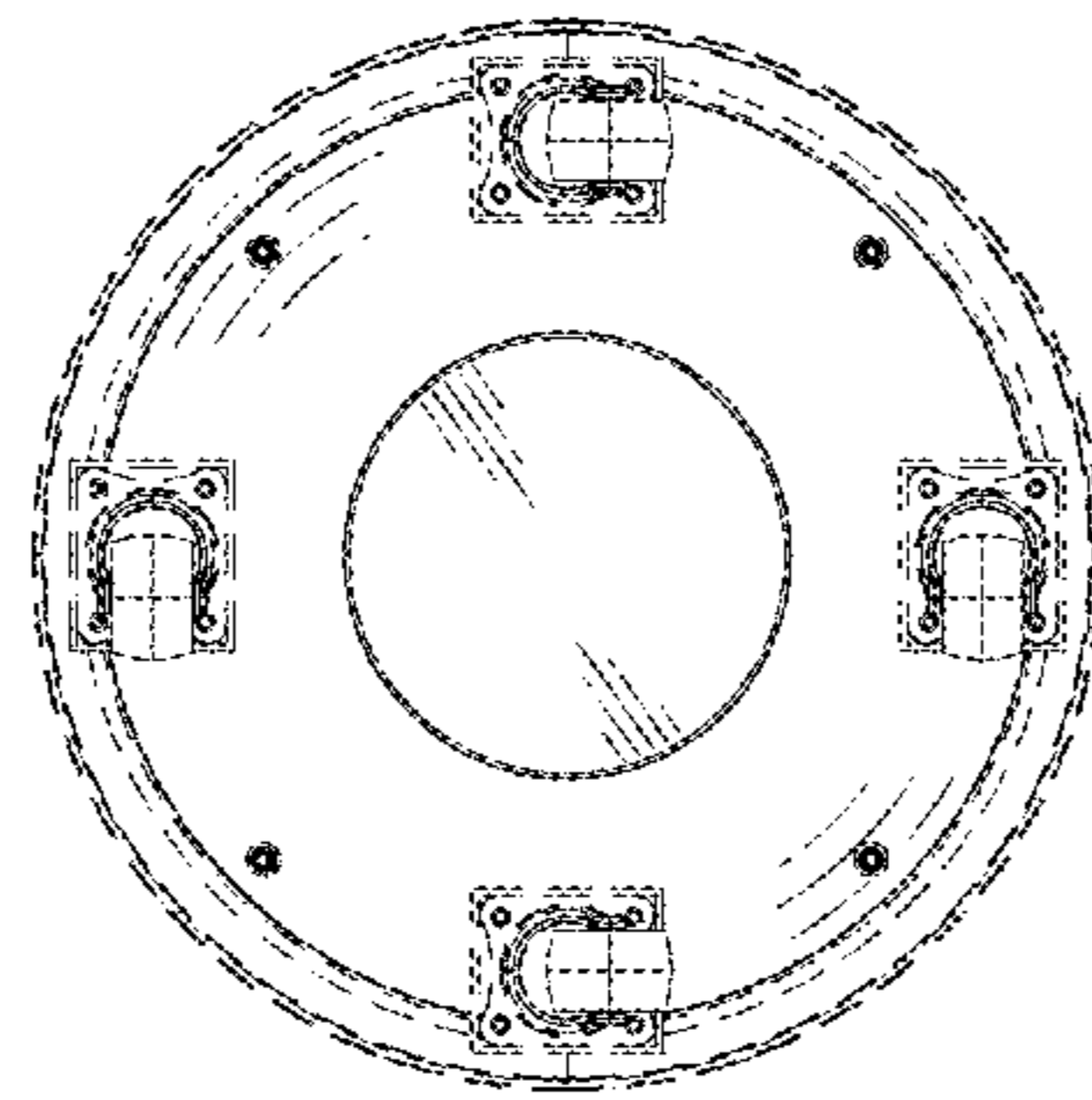


FIG. 8