



US00D979727S

(12) **United States Design Patent**
Qi

(10) **Patent No.:** **US D979,727 S**

(45) **Date of Patent:** **** Feb. 28, 2023**

(54) **HUMIDIFIER**

(71) Applicant: **SHENZHEN MEILI CONVENTION TRADING CO., LTD**, Shenzhen (CN)

(72) Inventor: **Junjie Qi**, Zhuzhou (CN)

(73) Assignee: **SHENZHEN MEILI CONVENTION TRADING CO., LTD**, Shenzhen (CN)

(**) Term: **15 Years**

(21) Appl. No.: **29/781,512**

(22) Filed: **Apr. 30, 2021**

(51) **LOC (14) Cl.** **23-04**

(52) **U.S. Cl.**
USPC **D23/356**

(58) **Field of Classification Search**
USPC D23/355-366, 352, 369, 332, 333, 335, D23/336, 342, 351
CPC .. A61L 9/16; A61L 9/22; B01D 47/00; B01D 47/027; B01D 2221/02; B01D 2259/4508; B03C 3/155; B03C 3/368; F24F 3/16; F24F 13/20; F24F 13/28
See application file for complete search history.

(56) **References Cited**

U.S. PATENT DOCUMENTS

D425,975 S * 5/2000 Wolfe D23/358
D538,416 S * 3/2007 Ediger D23/335

D542,903 S * 5/2007 Caserta D23/366
D791,292 S * 7/2017 Kim D23/333
D812,210 S * 3/2018 Tang D23/366
D828,534 S * 9/2018 Hu D23/366
D859,626 S * 9/2019 Hu D23/366
D873,399 S * 1/2020 Nykowski D23/364
D873,400 S * 1/2020 Nykowski D23/364
D882,747 S * 4/2020 Li D23/366
D934,402 S * 10/2021 Fitsch D23/356
D948,687 S * 4/2022 Liu D23/356
D958,951 S * 7/2022 Sward D23/364
D960,337 S * 8/2022 Sun D23/356
D965,125 S * 9/2022 Zhang D23/356
D965,127 S * 9/2022 Chen D23/356

* cited by examiner

Primary Examiner — David G Muller

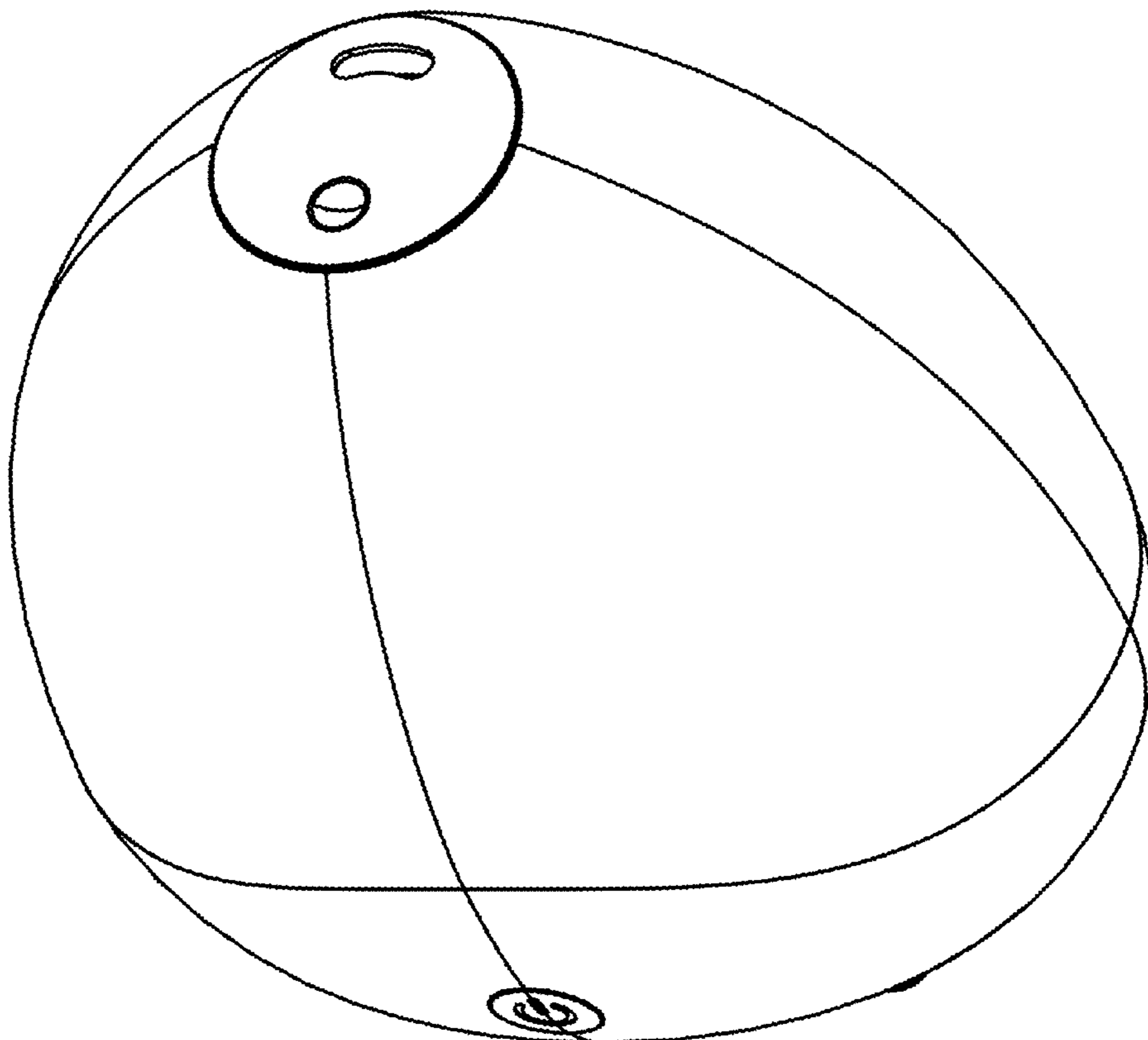
(57) **CLAIM**

The ornamental design for a humidifier, as shown and described.

DESCRIPTION

FIG. 1 is a perspective view of a humidifier showing my new design;
FIG. 2 is a front elevational view thereof;
FIG. 3 is a rear elevational view thereof;
FIG. 4 is a left side elevational view thereof;
FIG. 5 is a right side elevational view thereof;
FIG. 6 is a top plan view thereof; and,
FIG. 7 is a bottom plan view thereof.

1 Claim, 7 Drawing Sheets



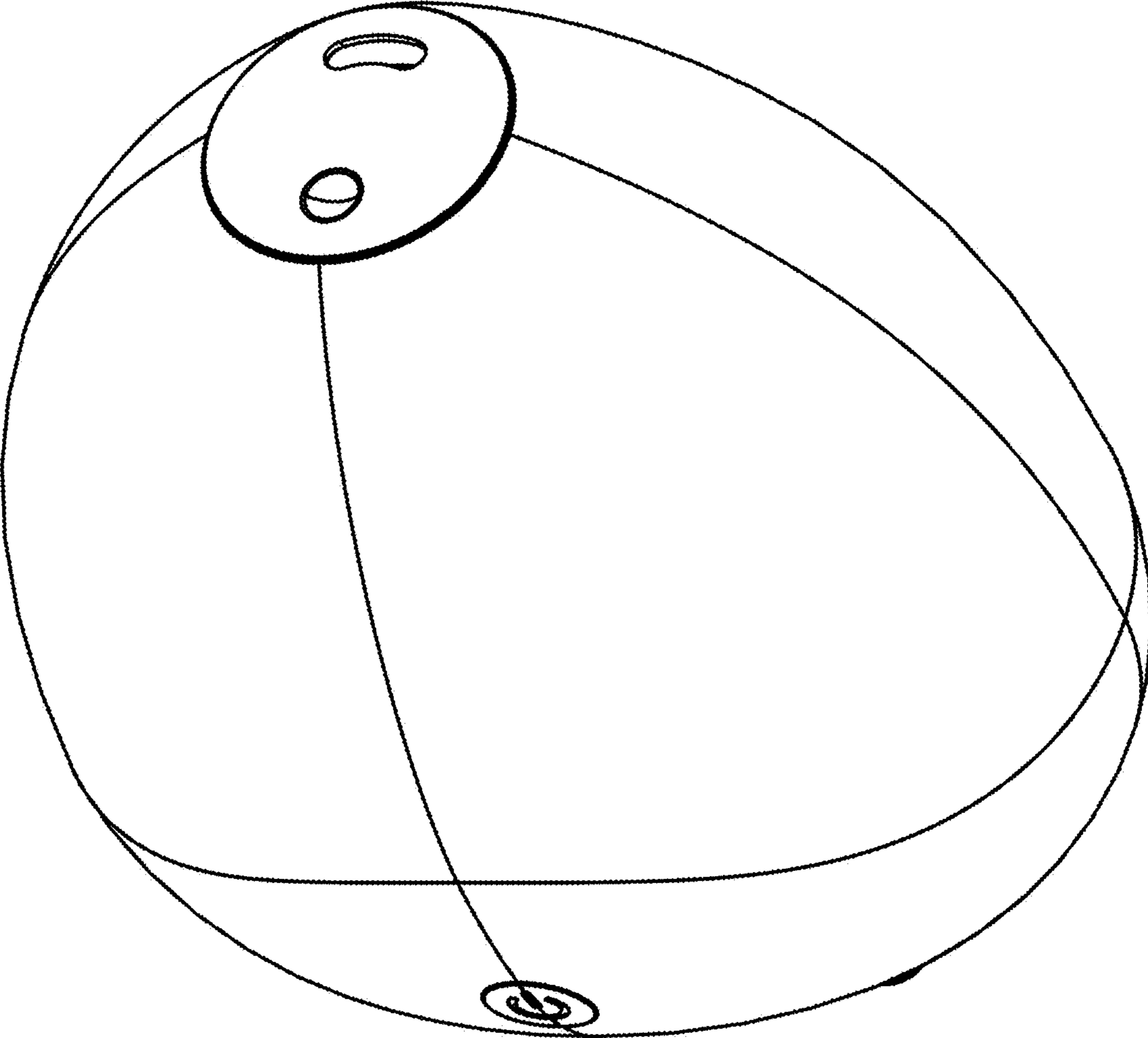


FIG. 1

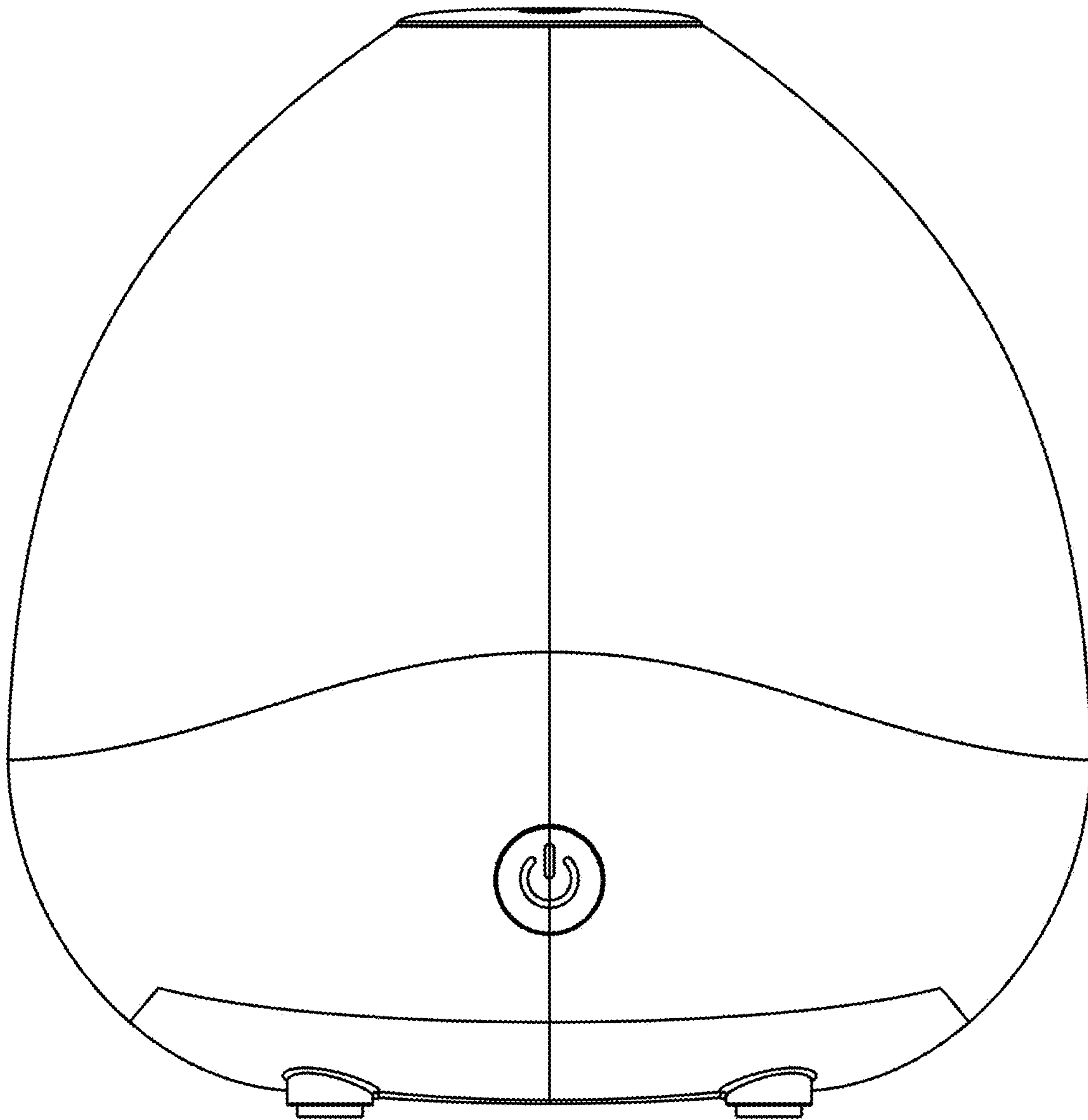


FIG. 2

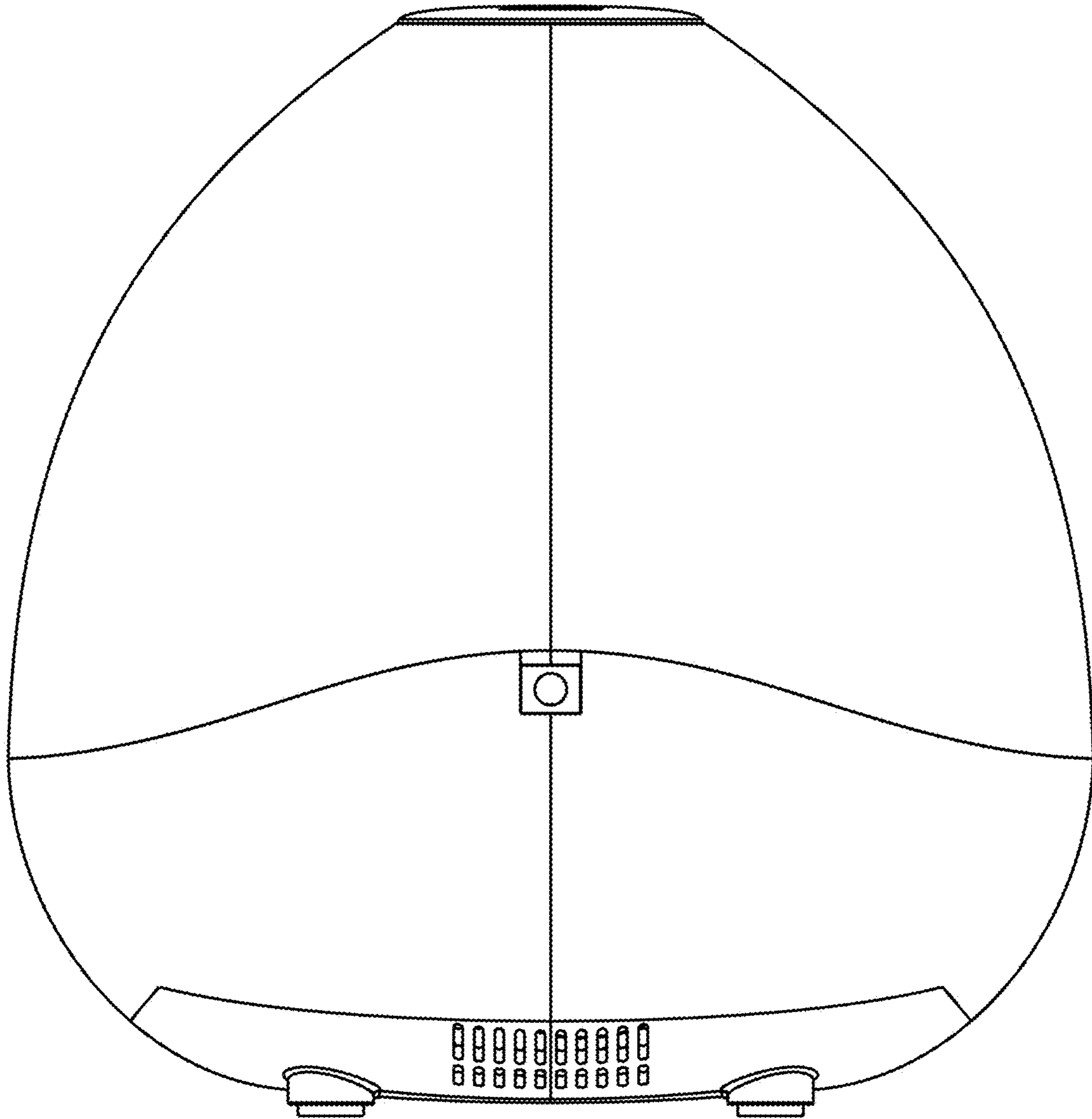


FIG. 3

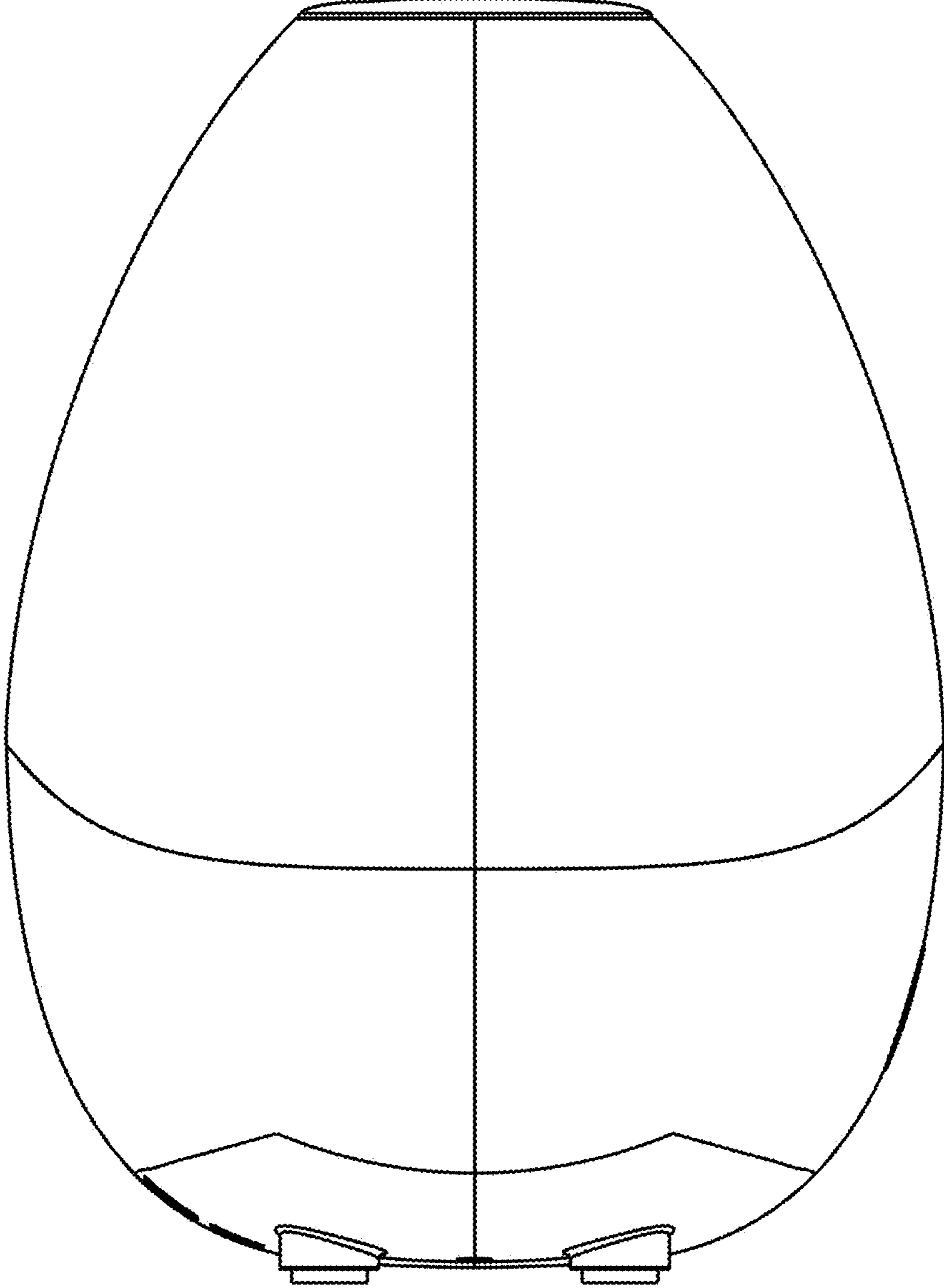


FIG. 4

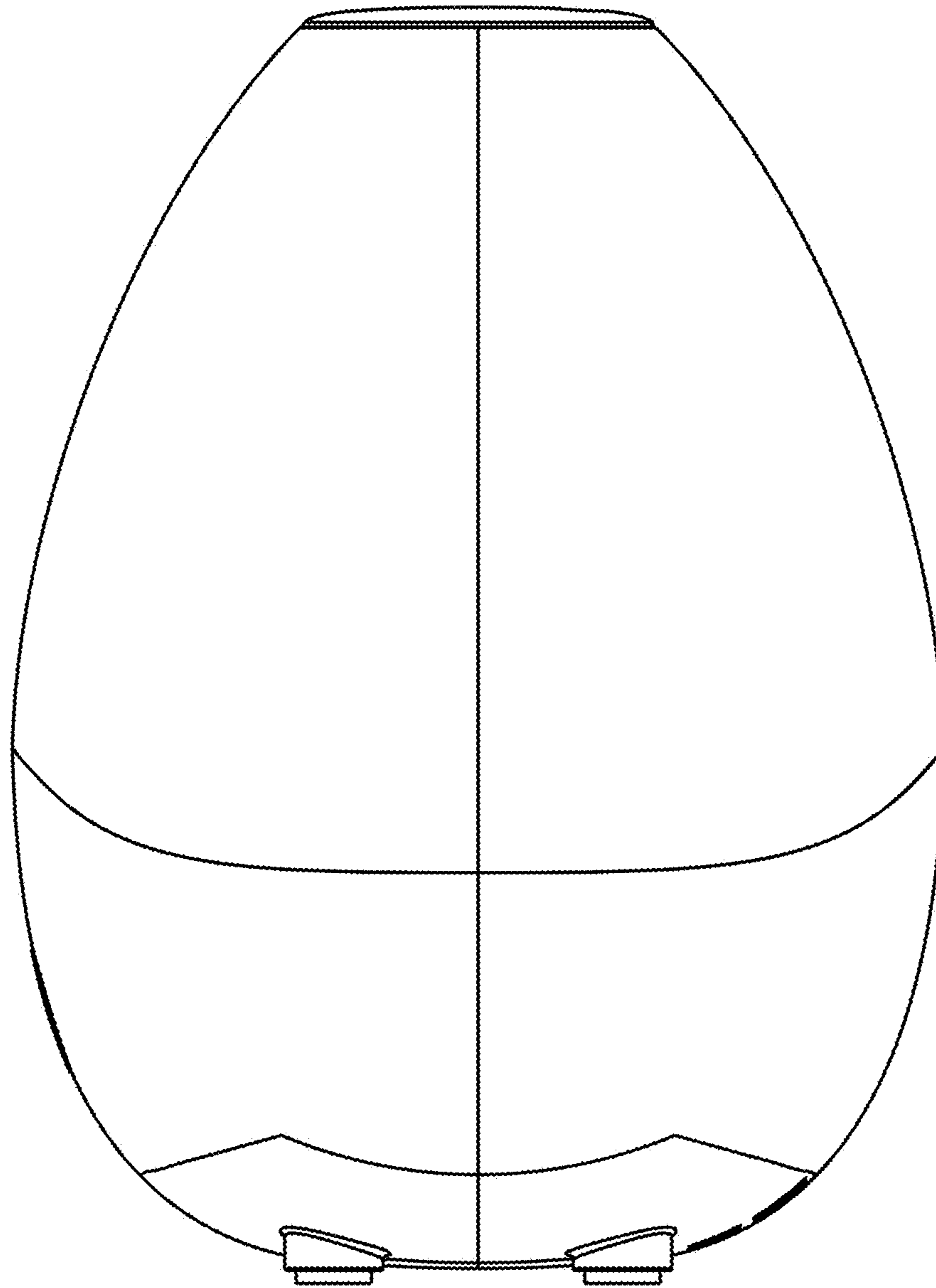


FIG. 5

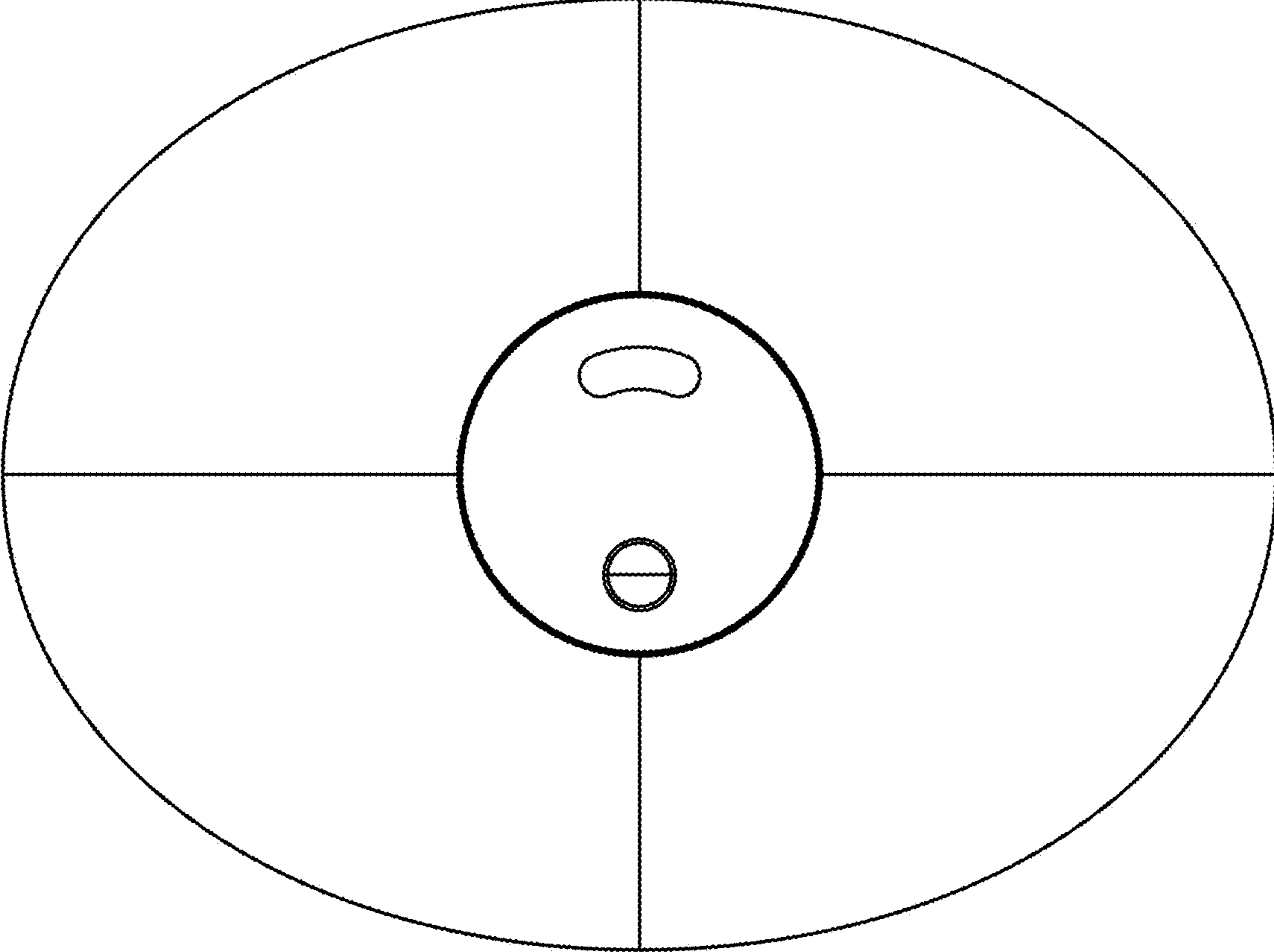


FIG. 6

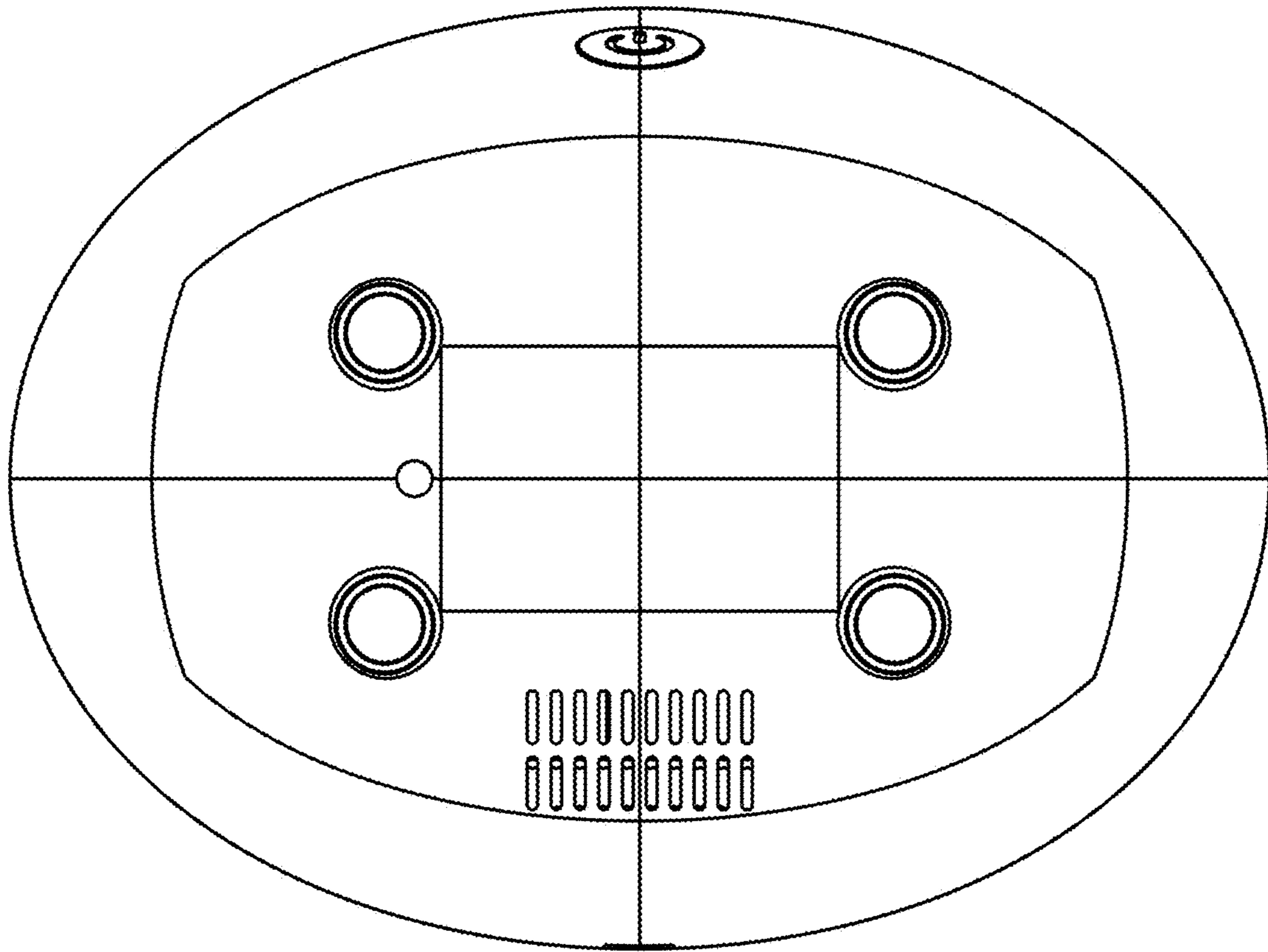


FIG. 7