

US00D979723S

(12) **United States Design Patent**
Jiang

(10) **Patent No.:** **US D979,723 S**

(45) **Date of Patent:** **** Feb. 28, 2023**

(54) **BIDET APPARATUS**

* cited by examiner

(71) Applicant: **Xiamen Soothingware Sanitary Co., Ltd.**, Xiamen (CN)

Primary Examiner — Robert A Delehanty

(74) *Attorney, Agent, or Firm* — Cooper Legal Group, LLC

(72) Inventor: **Jianbing Jiang**, Xiamen (CN)

(73) Assignee: **XIAMEN SOOTHINGWARE SANITARY CO., LTD.**, Xiamen (CN)

(57) **CLAIM**

The ornamental design for a bidet apparatus, as shown and described.

(**) Term: **15 Years**

(21) Appl. No.: **29/795,545**

DESCRIPTION

(22) Filed: **Jun. 18, 2021**

(30) **Foreign Application Priority Data**

May 17, 2021 (CN) 202130291846.6

(51) **LOC (14) Cl.** **23-02**

(52) **U.S. Cl.**
USPC **D23/309**

(58) **Field of Classification Search**
USPC D23/303, 308–309, 311–312
See application file for complete search history.

FIG. 1 is a front elevational view of a bidet apparatus showing the new design;
FIG. 2 is a rear elevational view thereof;
FIG. 3 is a left-side elevational view thereof;
FIG. 4 is a right-side elevational view thereof;
FIG. 5 is a top plan view thereof;
FIG. 6 is a bottom plan view thereof;
FIG. 7 is a first perspective view thereof;
FIG. 8 is a second perspective view thereof;
FIG. 9 is an enlarged view of the encircled portion '9' in FIG. 2 thereof; and,
FIG. 10 is an enlarged view of the encircled portion '10' in FIG. 6 thereof.

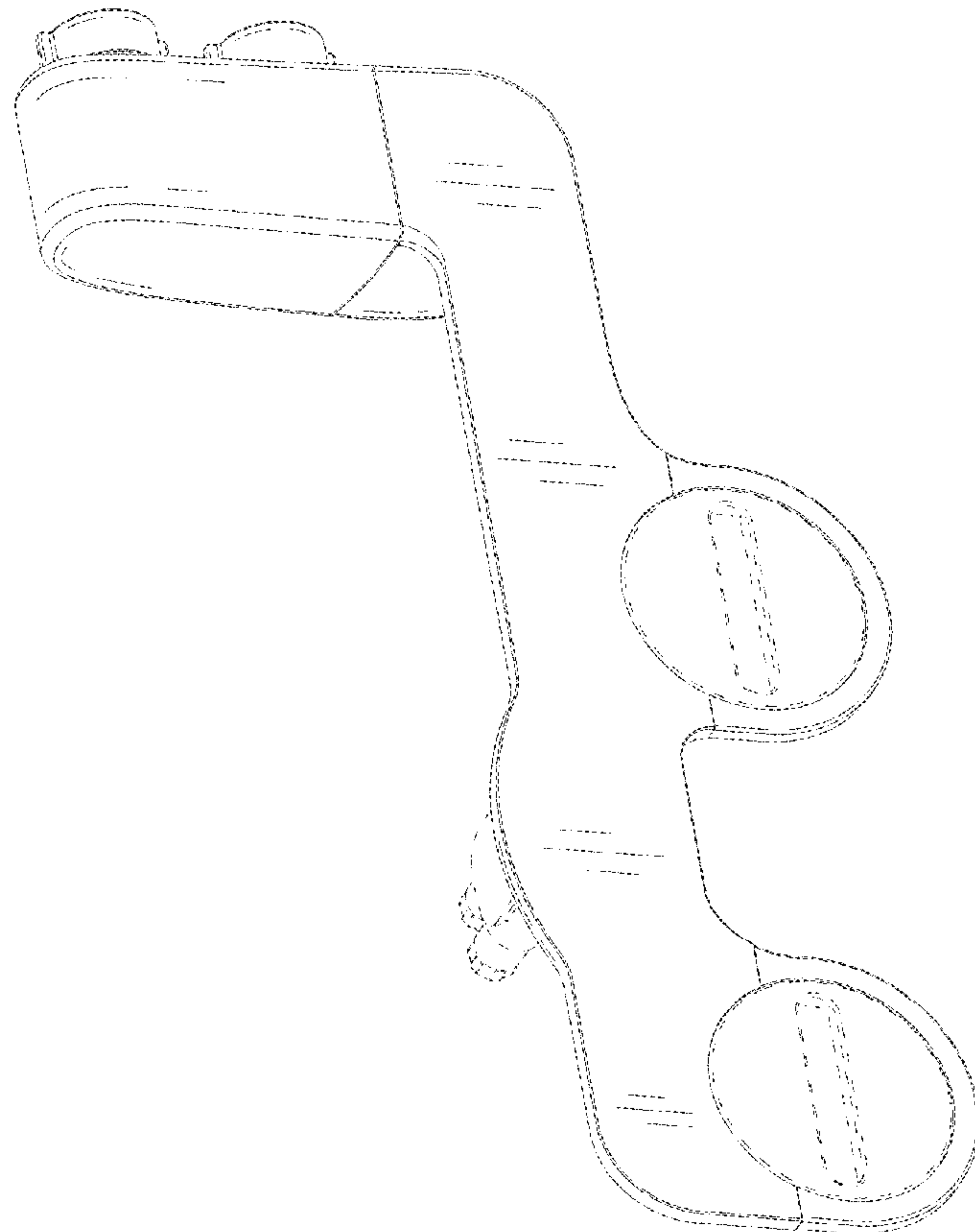
The broken lines shown in the drawings are for the purpose of illustrating portions of the article and form no part of the claimed design.

(56) **References Cited**

U.S. PATENT DOCUMENTS

10,844,586 B2 * 11/2020 Gupta E03C 1/12
D937,396 S * 11/2021 Yan D23/309
11,505,934 B2 * 11/2022 Gupta A47K 4/00

1 Claim, 10 Drawing Sheets



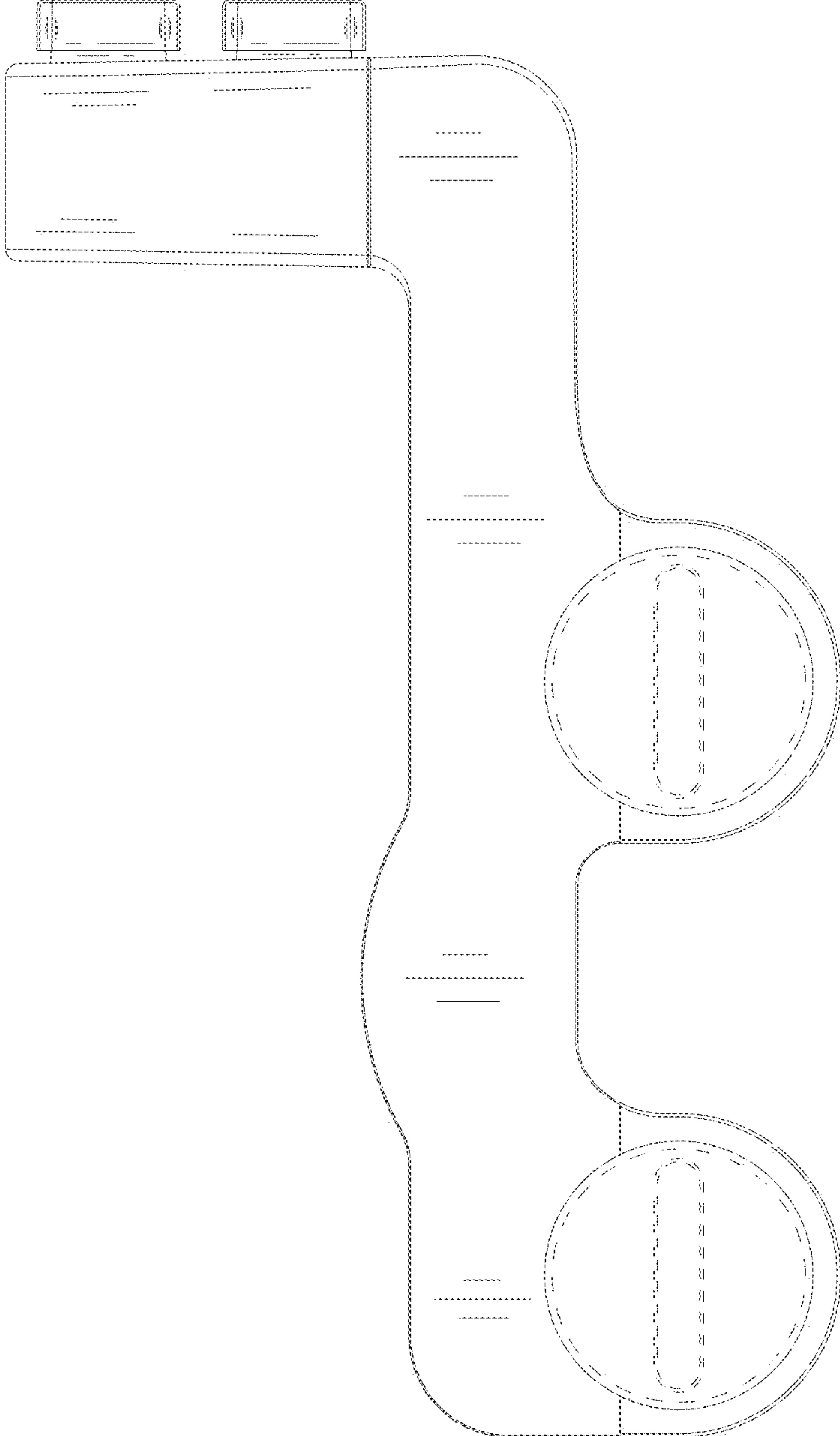


FIG. 1

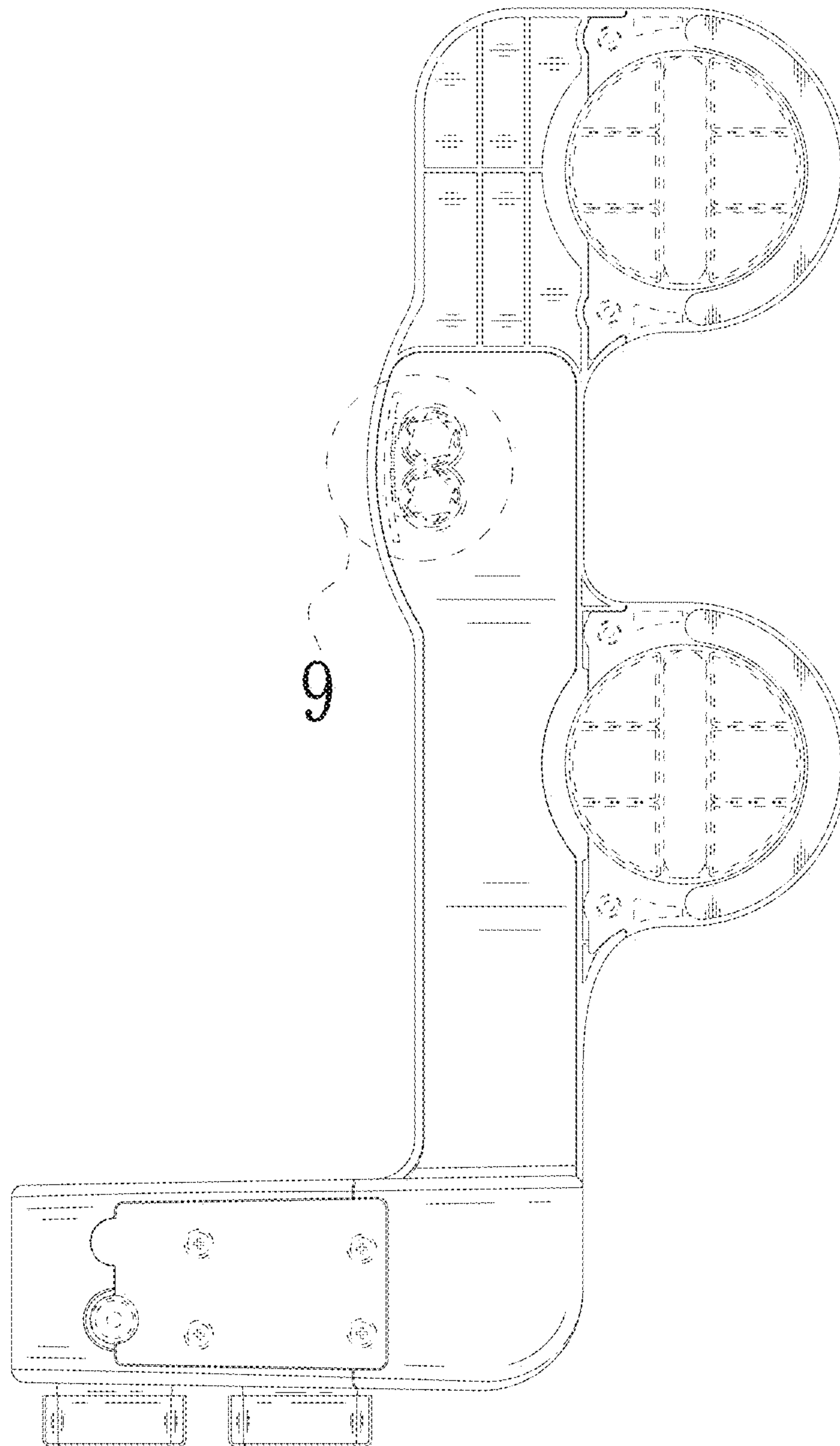


FIG. 2

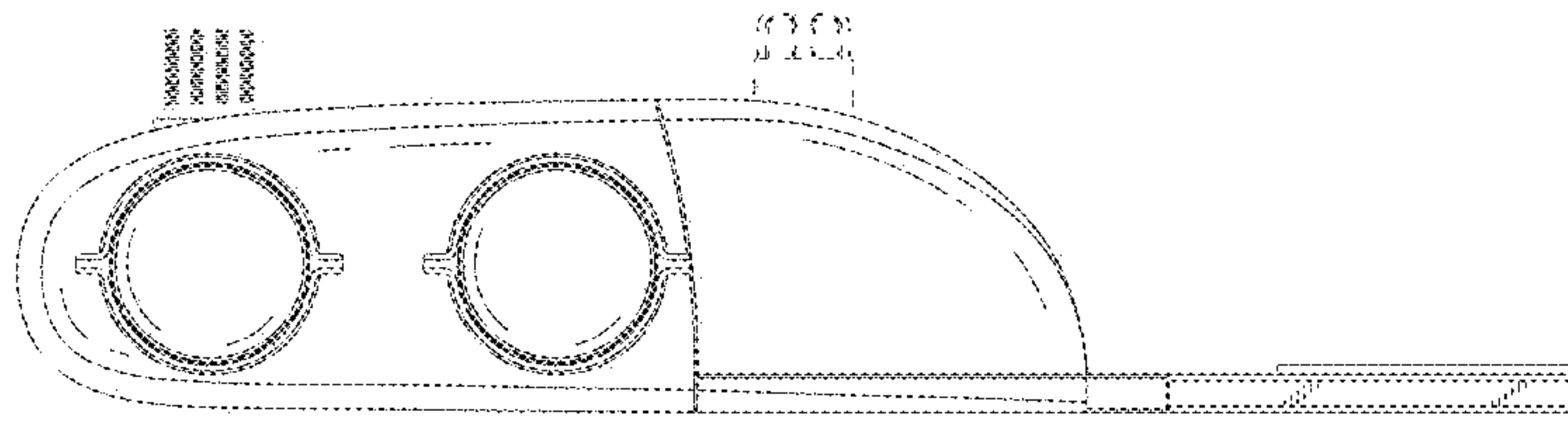


FIG. 3

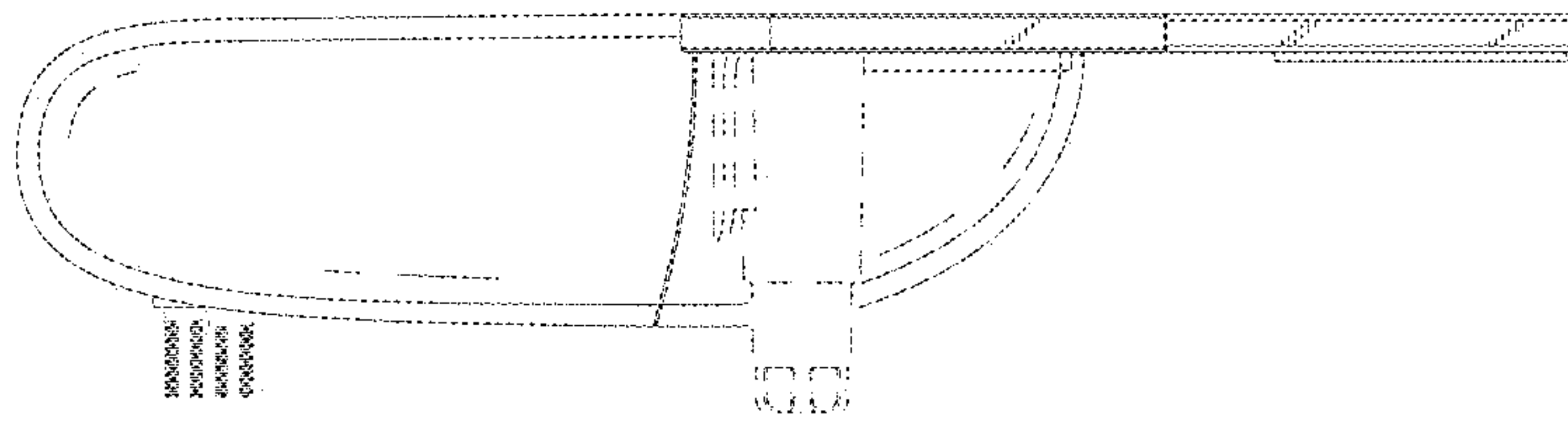


FIG. 4

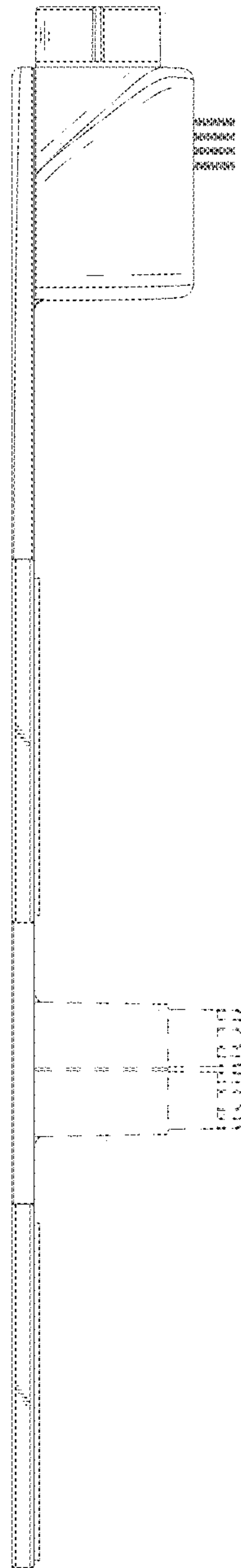


FIG. 5

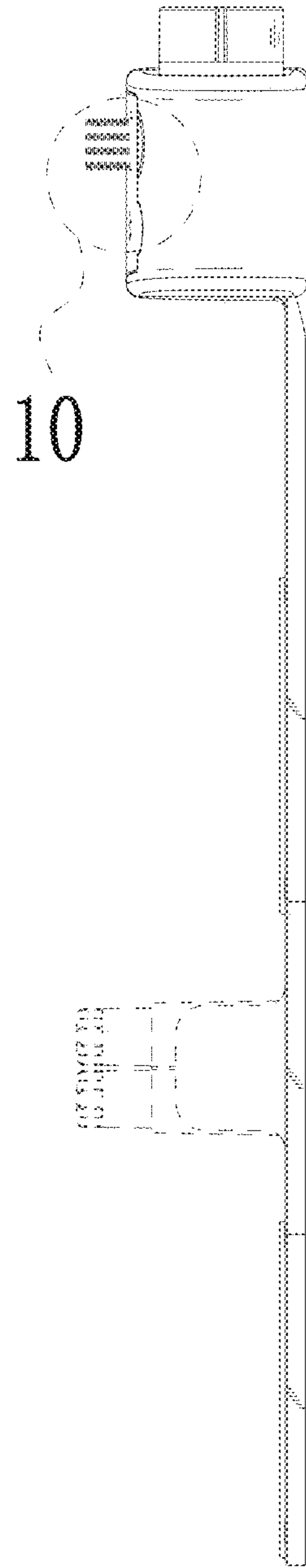


FIG. 6

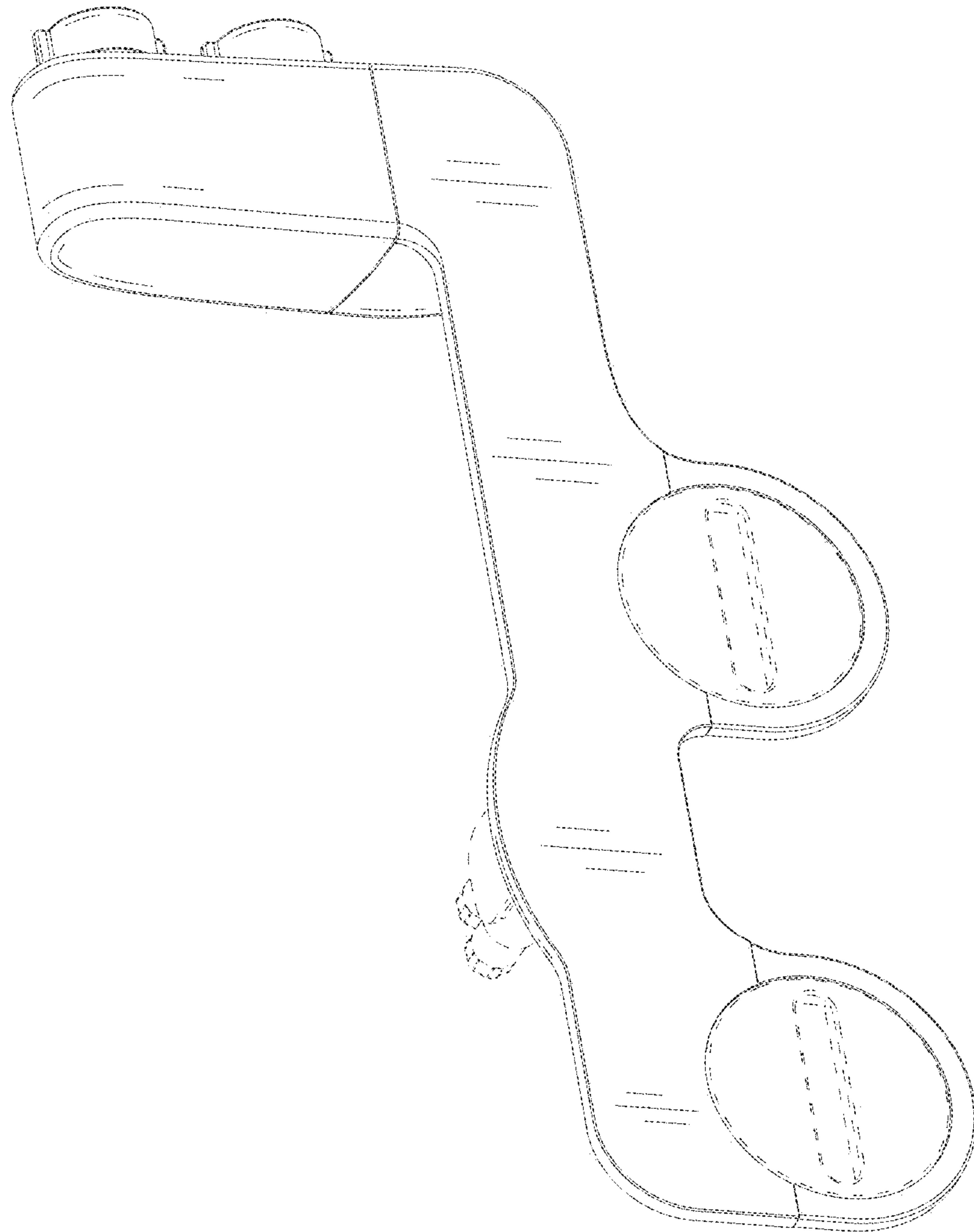


FIG. 7

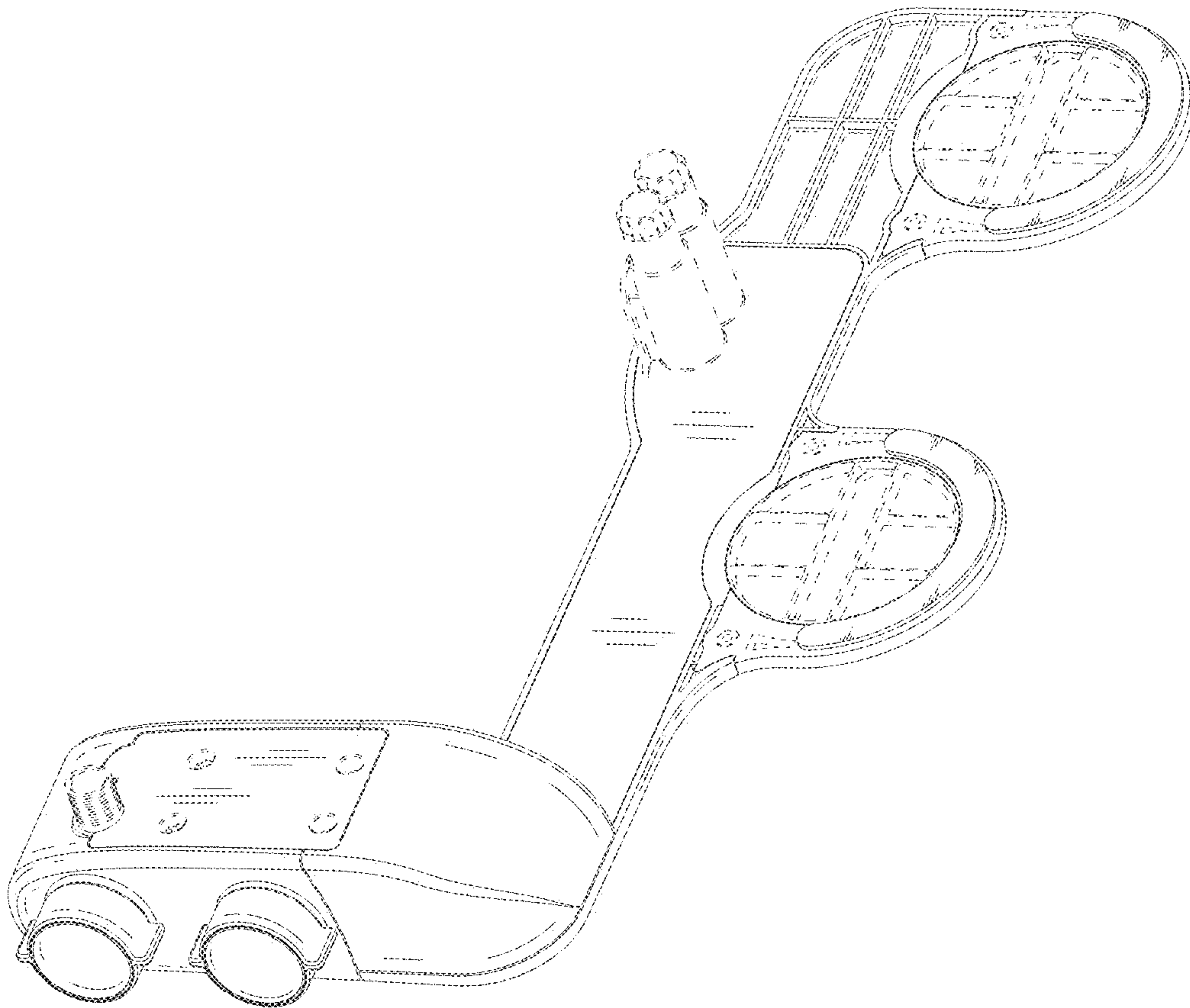


FIG. 8

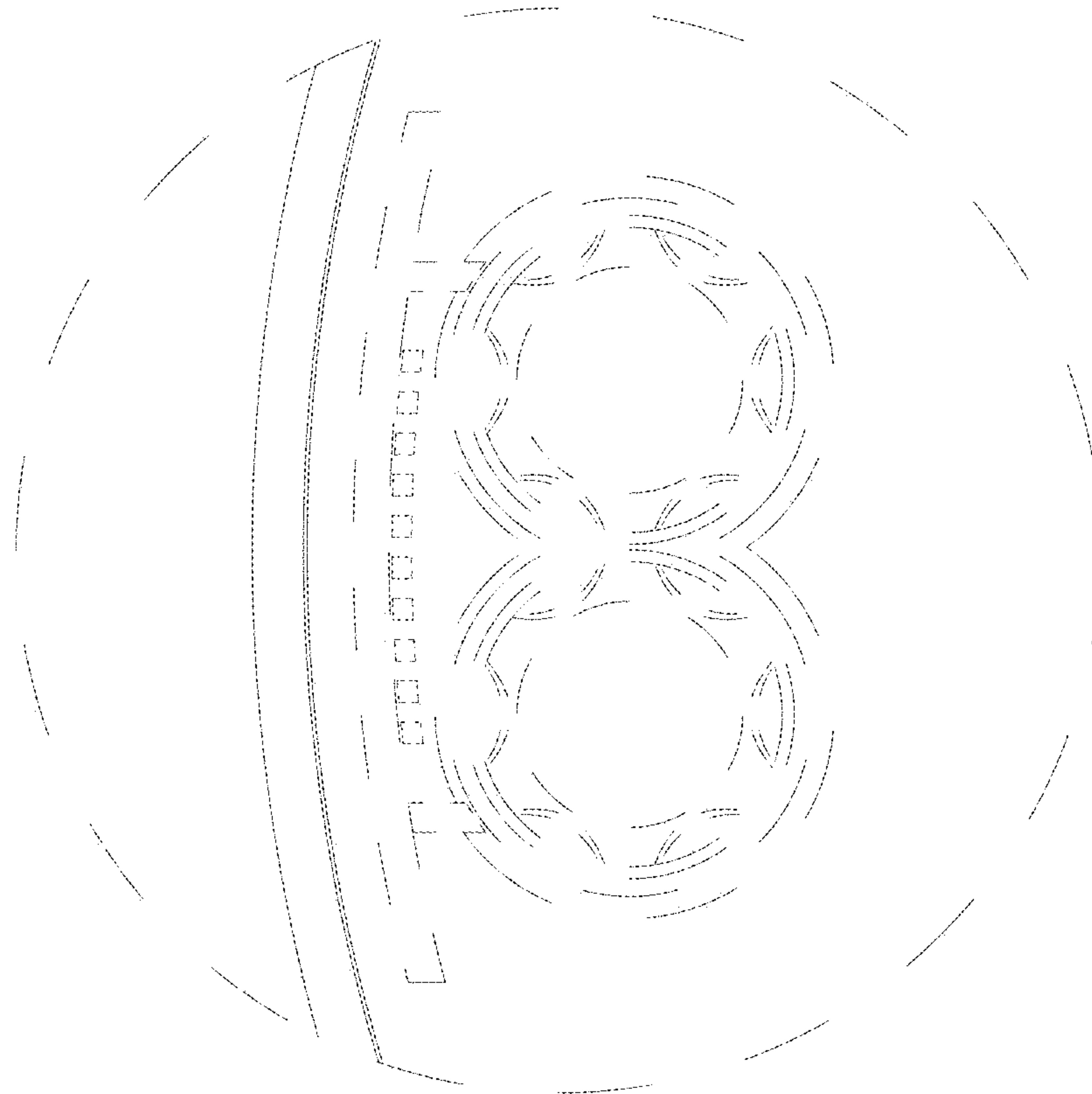


FIG. 9

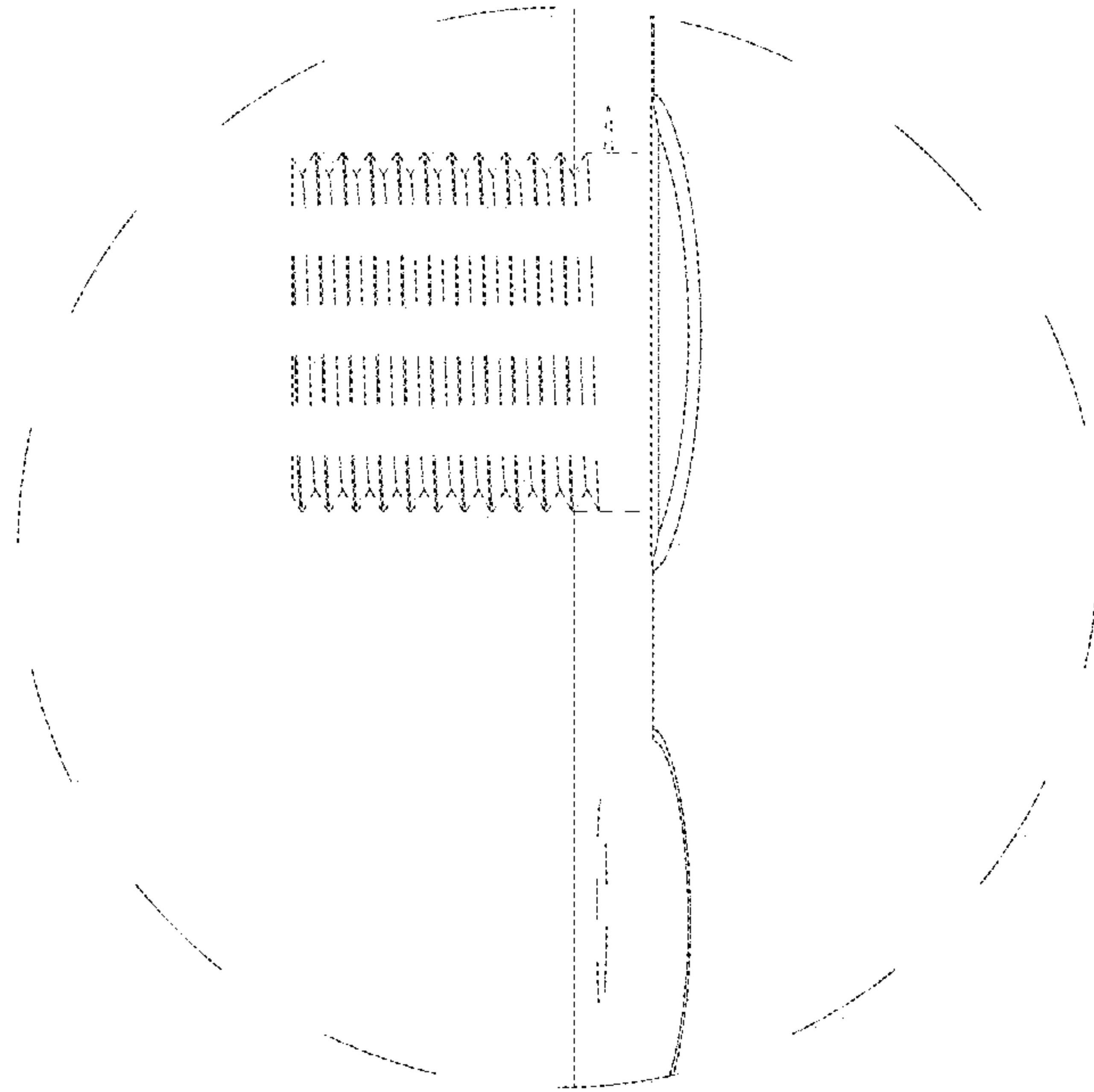


FIG. 10