



US00D979722S

(12) **United States Design Patent**  
**Jiang**

(10) **Patent No.:** **US D979,722 S**

(45) **Date of Patent:** **\*\* Feb. 28, 2023**

(54) **BIDET APPARATUS**

(71) Applicant: **Xiamen Soothingware Sanitary Co., Ltd.**, Xiamen (CN)

(72) Inventor: **Jianbing Jiang**, Xiamen (CN)

(73) Assignee: **XIAMEN SOOTHINGWARE SANITARY CO., LTD.**, Xiamen (CN)

(\*\*) Term: **15 Years**

(21) Appl. No.: **29/783,049**

(22) Filed: **May 11, 2021**

(30) **Foreign Application Priority Data**

Apr. 21, 2021 (CN) ..... 202130227691.X

(51) **LOC (14) Cl.** ..... **23-02**

(52) **U.S. Cl.**  
USPC ..... **D23/309**

(58) **Field of Classification Search**  
USPC ..... D23/303, 308–309, 311–312  
See application file for complete search history.

(56) **References Cited**

**U.S. PATENT DOCUMENTS**

D874,621 S *	2/2020	Gupta	.....	D23/309
D885,539 S *	5/2020	Yan	.....	D23/309
D937,396 S *	11/2021	Yan	.....	D23/309
D944,952 S *	3/2022	Cheng	.....	D23/311

**OTHER PUBLICATIONS**

OMIGO Element Non-Electric Bidet Attachment. The Spruce article “The 6 best Bidet Attachments of 2022”. <https://www.thespruce.com/best-bidet-attachments-4154316> (Year: 2022).\*

\* cited by examiner

*Primary Examiner* — Robert A Delehanty

(74) *Attorney, Agent, or Firm* — Cooper Legal Group, LLC

(57) **CLAIM**

The ornamental design for a bidet apparatus, as shown and described.

**DESCRIPTION**

FIG. 1 is a front elevational view of a bidet apparatus showing the new design;

FIG. 2 is a rear elevational view thereof;

FIG. 3 is a left-side elevational view thereof;

FIG. 4 is a right-side elevational view thereof;

FIG. 5 is a top plan view thereof;

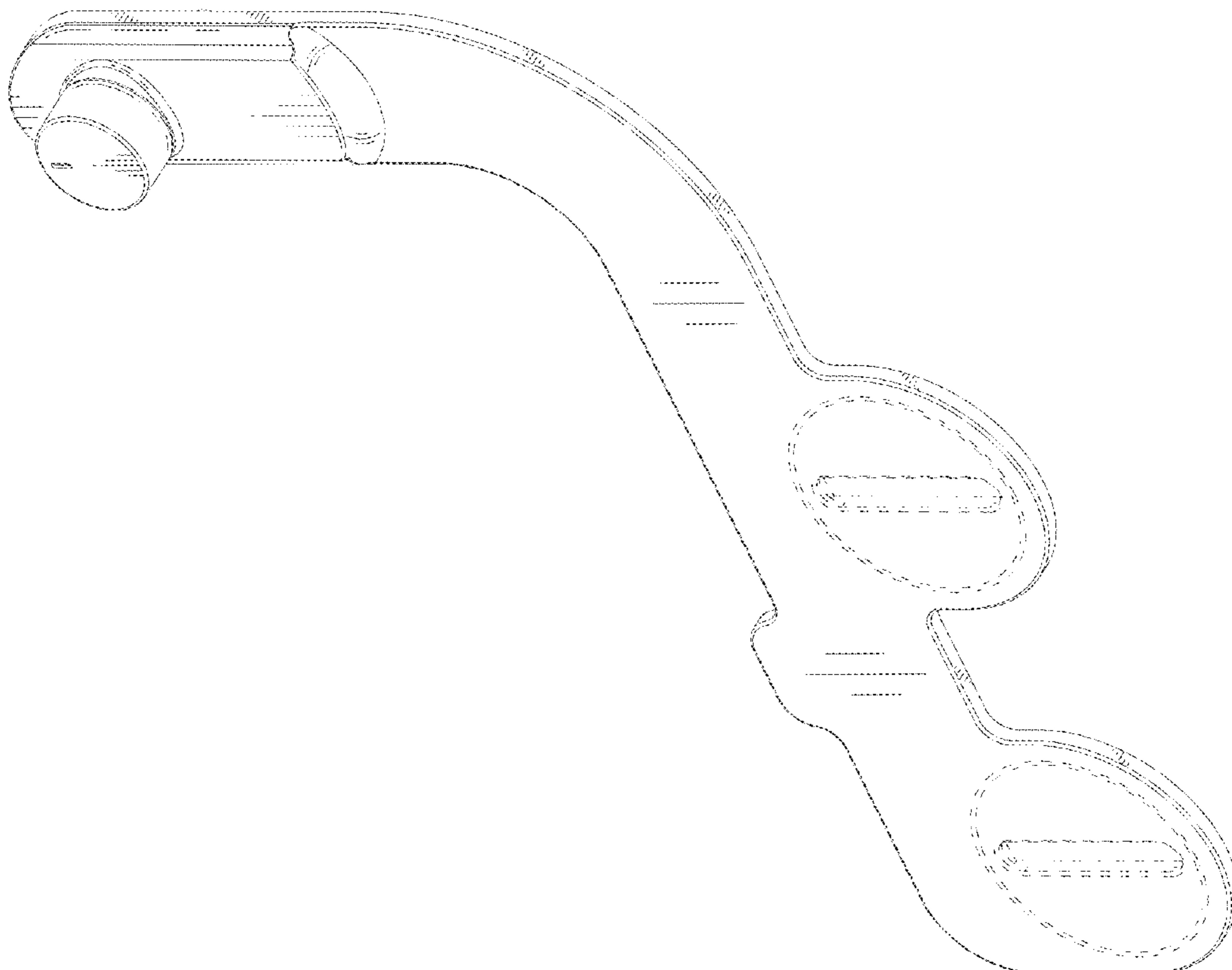
FIG. 6 is a bottom plan view thereof;

FIG. 7 is a first perspective view thereof; and,

FIG. 8 is a second perspective view thereof.

The broken lines shown in the drawings are for the purpose of illustrating portions of the article and form no part of the claimed design.

**1 Claim, 8 Drawing Sheets**



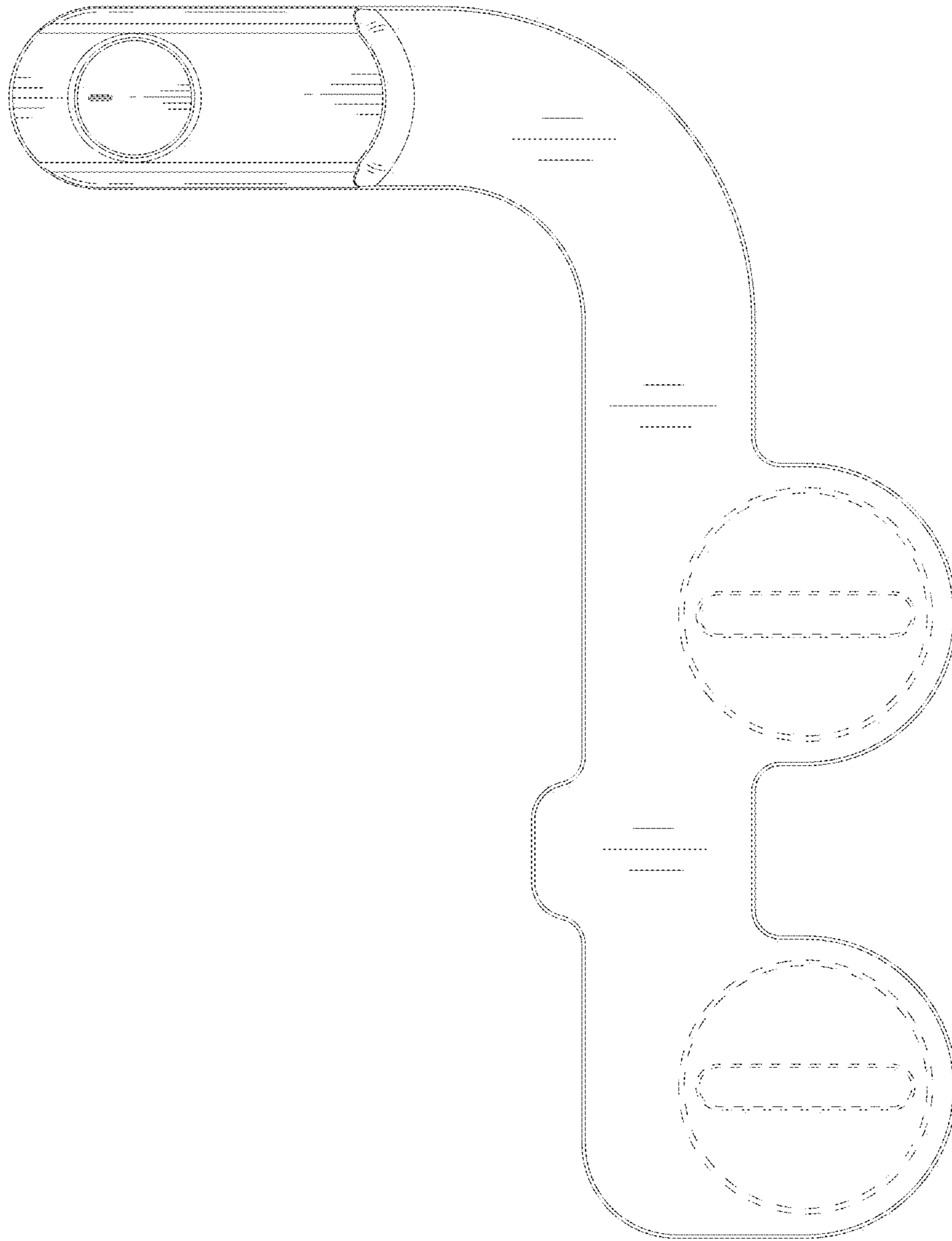


FIG. 1

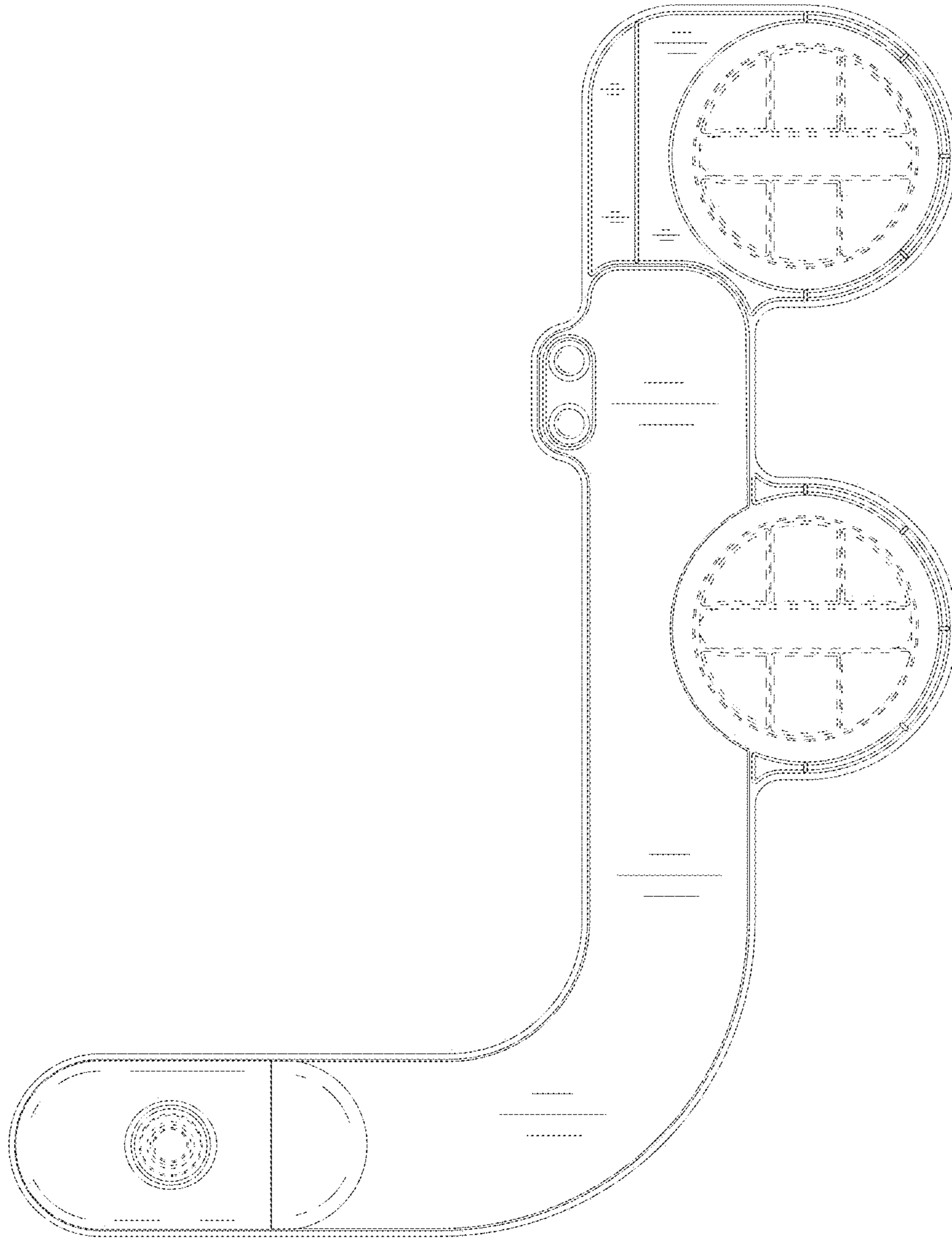


FIG. 2

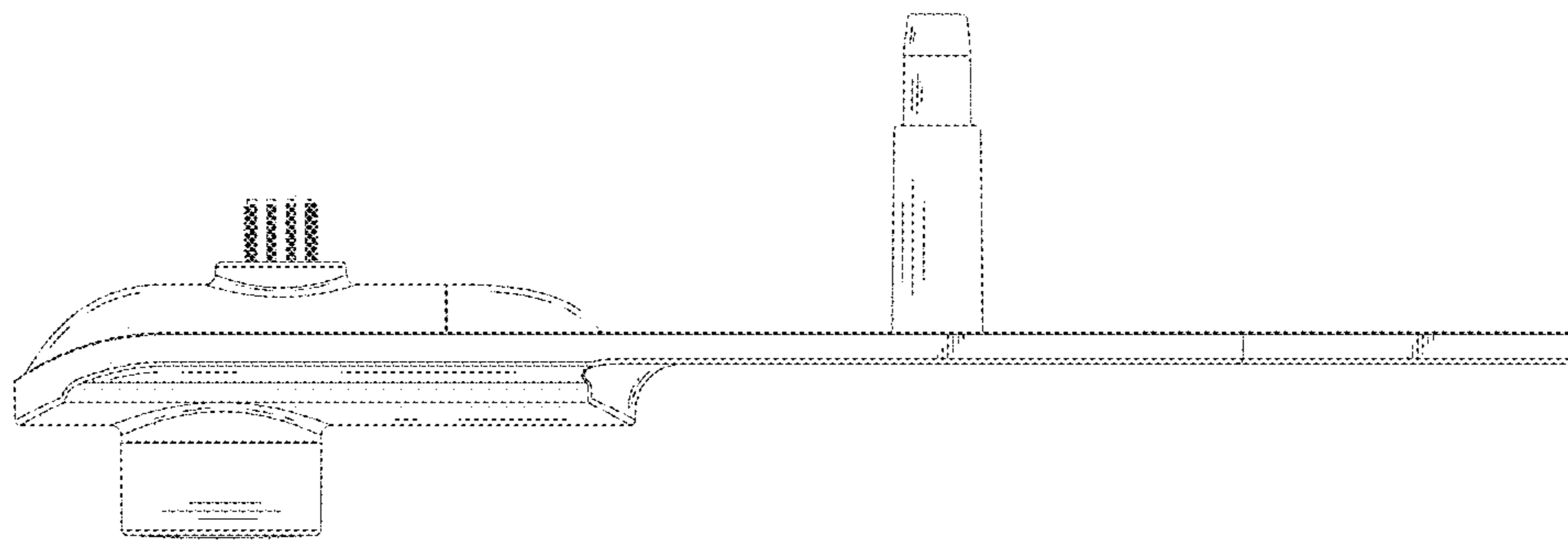


FIG. 3

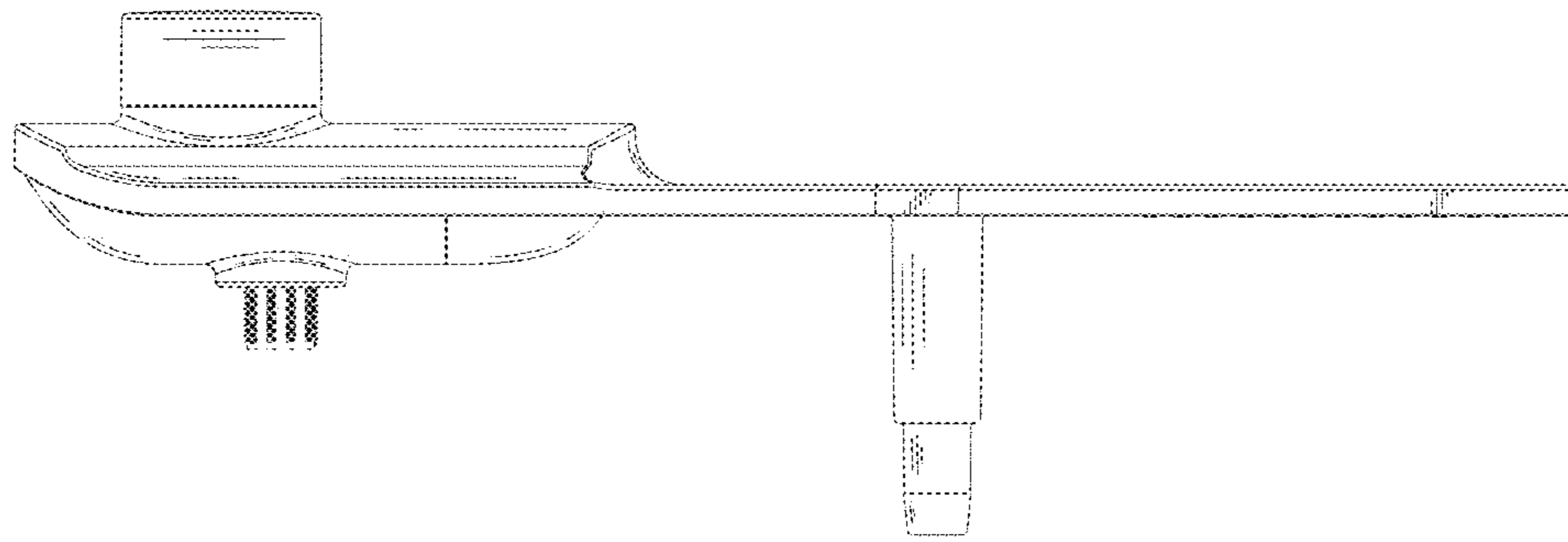


FIG. 4

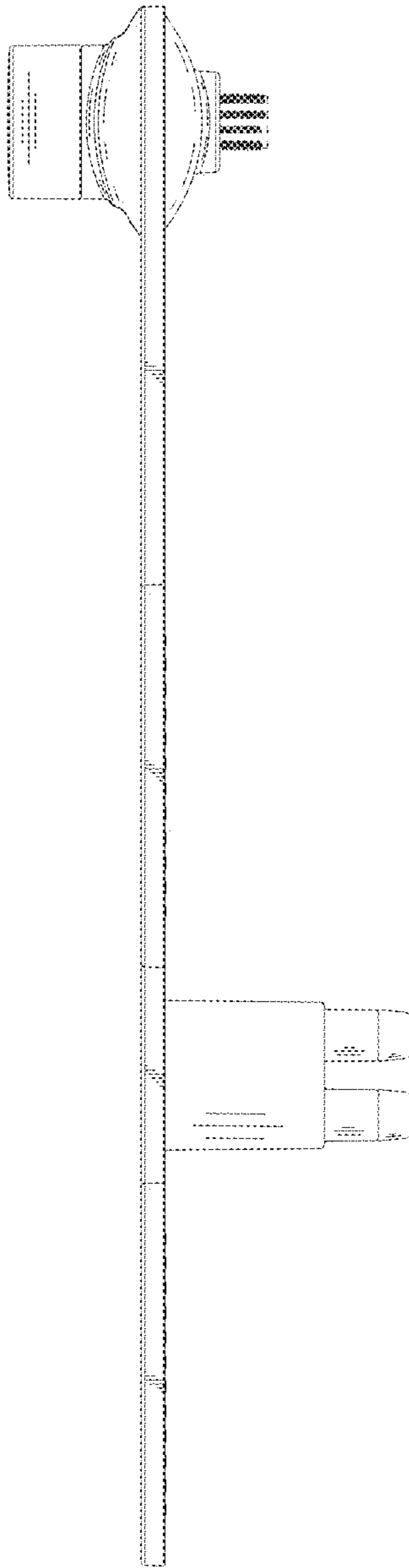


FIG. 5

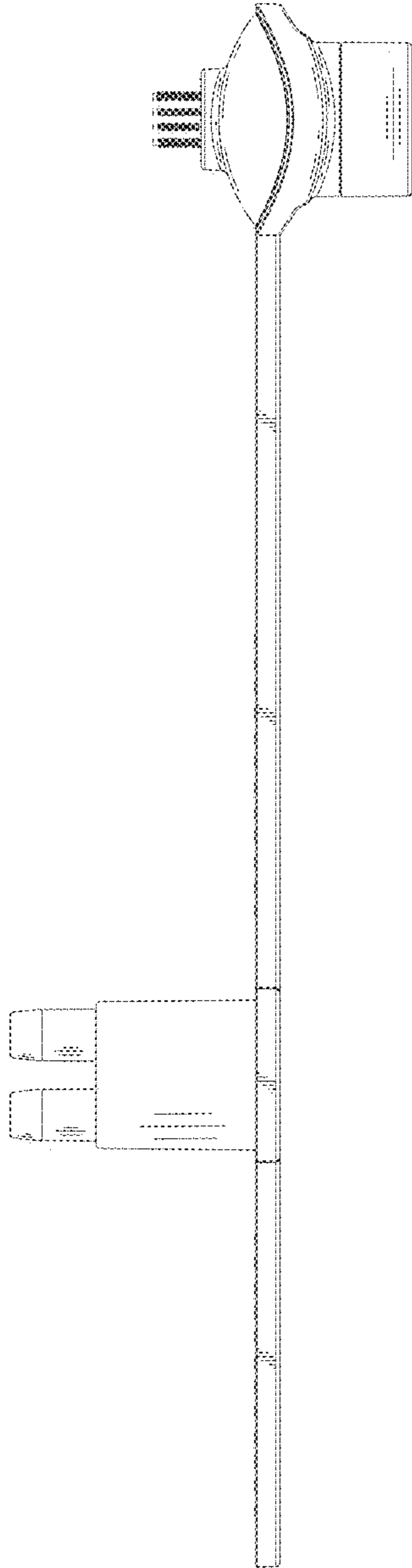


FIG. 6

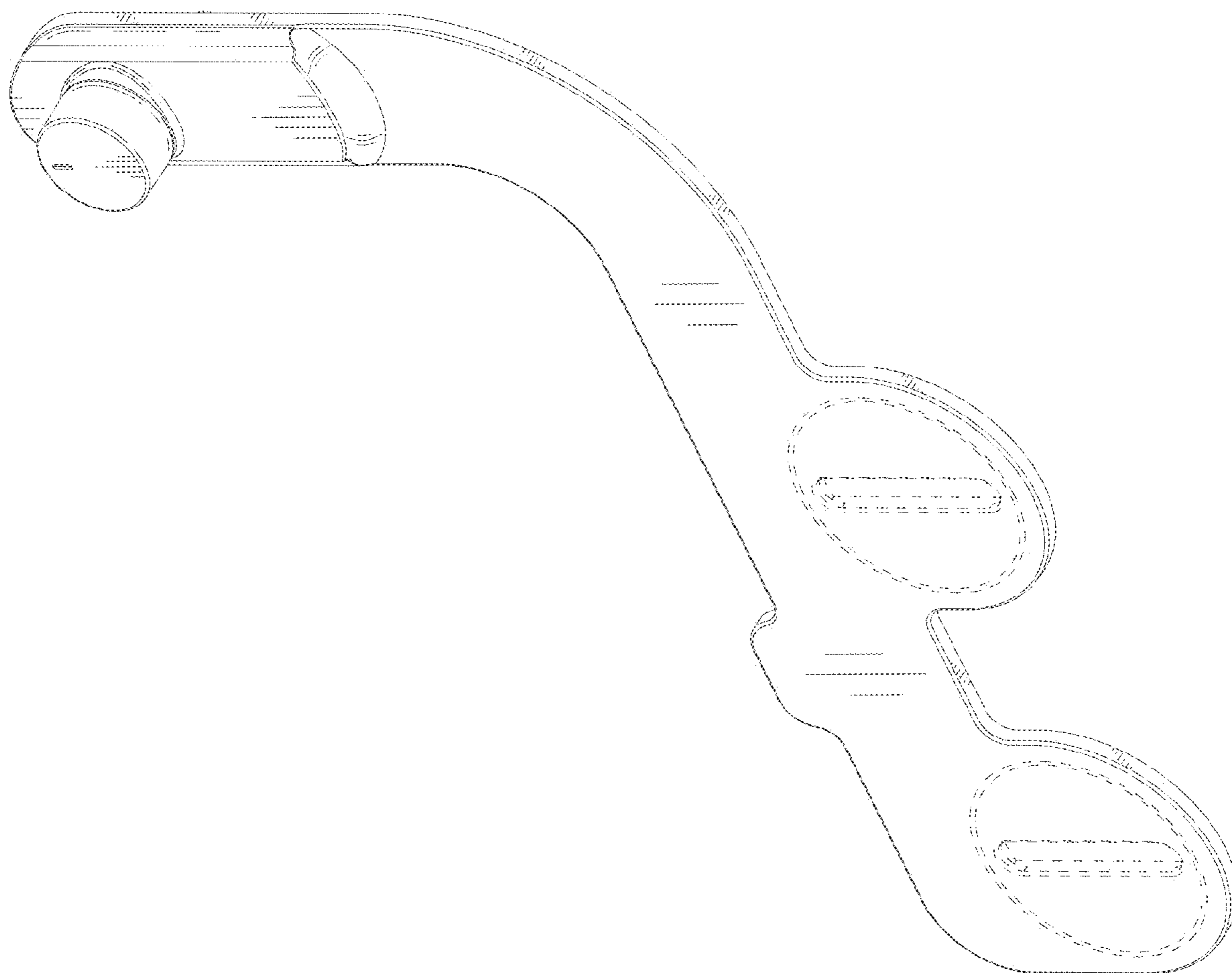


FIG. 7



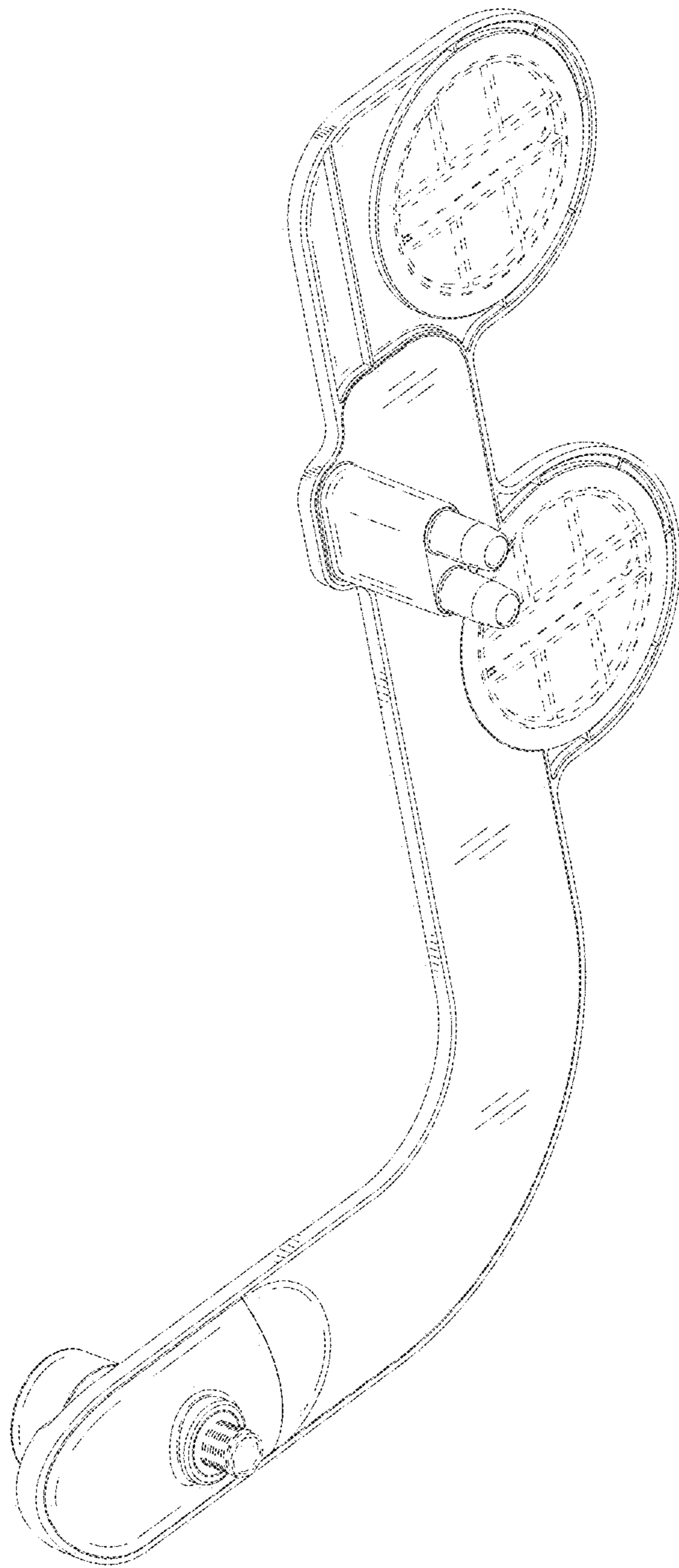


FIG. 8