



US00D979720S

(12) **United States Design Patent** (10) **Patent No.:** **US D979,720 S**  
**Cho** (45) **Date of Patent:** **\*\* Feb. 28, 2023**

(54) **INTEGRATED TOILET**

(71) Applicant: **VOVO Corporation**, Seoul (KR)

(72) Inventor: **Geumhwan Cho**, Torrance, CA (US)

(73) Assignee: **VOVO Corporation**, Seoul (KR)

(\*\*) Term: **15 Years**

(21) Appl. No.: **29/779,701**

(22) Filed: **Apr. 20, 2021**

(51) **LOC (14) Cl.** ..... **23-07**

(52) **U.S. Cl.**  
USPC ..... **D23/301**

(58) **Field of Classification Search**  
USPC ..... D23/278–279, 295–303, 309, 311, 499  
CPC ..... A47K 13/06; A47K 13/10  
See application file for complete search history.

(56) **References Cited**

**U.S. PATENT DOCUMENTS**

- 5,337,422 A \* 8/1994 Blankenship ..... A47K 11/023  
4/111.5
- D484,223 S \* 12/2003 Tani ..... D23/295
- D583,030 S \* 12/2008 Kobayashi ..... D23/295
- D600,333 S \* 9/2009 Liu ..... D23/295
- D639,400 S \* 6/2011 Kang ..... D23/295
- D663,391 S \* 7/2012 Iranyi ..... D23/295
- D704,316 S \* 5/2014 Ishikawa ..... D23/295
- D732,150 S \* 6/2015 Jung ..... D23/295
- D810,898 S \* 2/2018 Tsuduki ..... D23/295
- D811,563 S \* 2/2018 L’Henaff ..... D23/301
- D844,118 S \* 3/2019 Jeong ..... D23/295

(Continued)

**FOREIGN PATENT DOCUMENTS**

- CN 306151171 \* 11/2020
- CN 306453040 \* 4/2021

**OTHER PUBLICATIONS**

VOVO Stylement TCB-090SA Smart Bidet Toilet, announced Jul. 8, 2020[online], [site visited Sep. 22, 2022]. Available from internet,

URL:<<https://www.amazon.com/VOVO-TCB-090SA-Tankless-Integrated-Control/dp/B08CMPBMW3?th=1>> (Year: 2020).\*

(Continued)

*Primary Examiner* — David G Muller

*Assistant Examiner* — Jamaal Rasheed

(74) *Attorney, Agent, or Firm* — Youngil Lee

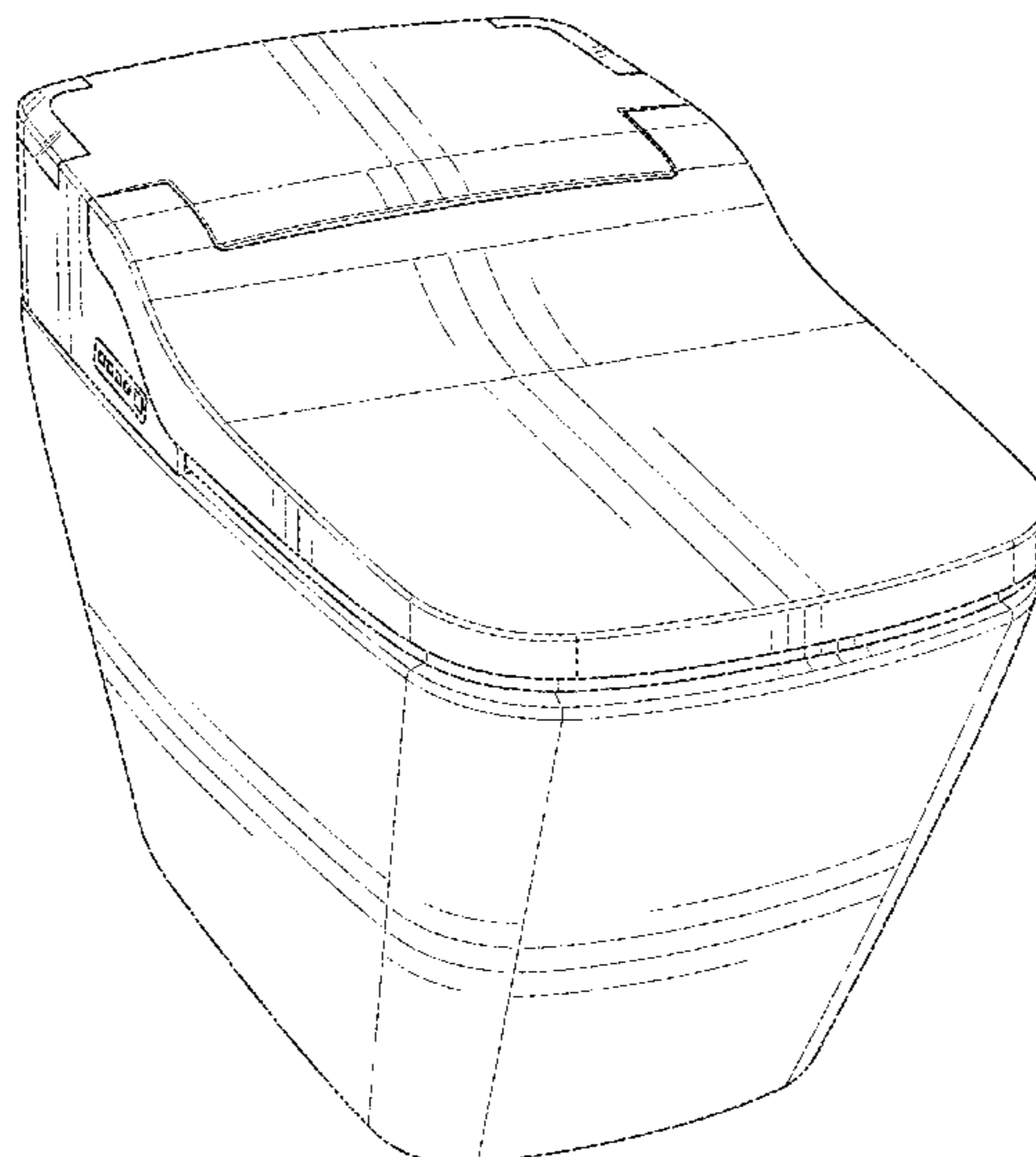
(57) **CLAIM**

What is claimed is the ornamental design for an integrated toilet, as shown and described.

**DESCRIPTION**

FIG. 1 is a top perspective view of an integrated toilet showing a bidet and a toilet of the new design;  
 FIG. 2 is a right side view thereof;  
 FIG. 3 is a left side view thereof;  
 FIG. 4 is a front view thereof;  
 FIG. 5 is a back view thereof;  
 FIG. 6 is a top plan view thereof;  
 FIG. 7 is a bottom plan view thereof;  
 FIG. 8 is a left perspective view of the bidet of the integrated toilet shown separately to show aspects of the design that are not visible when combined, with the spray nozzle in a fully extended position;  
 FIG. 9 is a right perspective view thereof;  
 FIG. 10 is a front view thereof;  
 FIG. 11 is a back view thereof;  
 FIG. 12 is a right side view thereof;  
 FIG. 13 is a left side view thereof;  
 FIG. 14 is a top view thereof;  
 FIG. 15 is a bottom plan view thereof; and,  
 FIG. 16 is a left perspective view thereof, with the spray nozzle in a fully retracted position.  
 The broken lines depict portions of the integrated toilet that form no part of the claimed design.

**1 Claim, 16 Drawing Sheets**



(56)

**References Cited**

U.S. PATENT DOCUMENTS

D862,666 S \* 10/2019 Song ..... D23/295  
D891,591 S \* 7/2020 Van Leeuwen ..... D23/299  
D891,592 S \* 7/2020 Berschin ..... D23/300  
D925,710 S \* 7/2021 Seum ..... D23/300  
D937,996 S \* 12/2021 Ando ..... D23/295  
D950,689 S \* 5/2022 Bucher ..... D23/295  
2004/0216395 A1 \* 11/2004 Wentworth, Jr. .... B60P 3/34  
52/79.5  
2016/0174783 A1 \* 6/2016 Mantel ..... E03D 9/08  
4/420.5  
2017/0340174 A1 \* 11/2017 Stevenson ..... A47K 13/02

OTHER PUBLICATIONS

R&T Tankless Smart Toilet, announced Jun. 18, 2021[online], [site visited Sep. 22, 2022]. Available from internet, URL:<<https://www.amazon.com/Tankless-Battery-Operated-Touchless-One-Piece-Intelligent/dp/B097GRLQZ1>> (Year: 2021).\*

\* cited by examiner

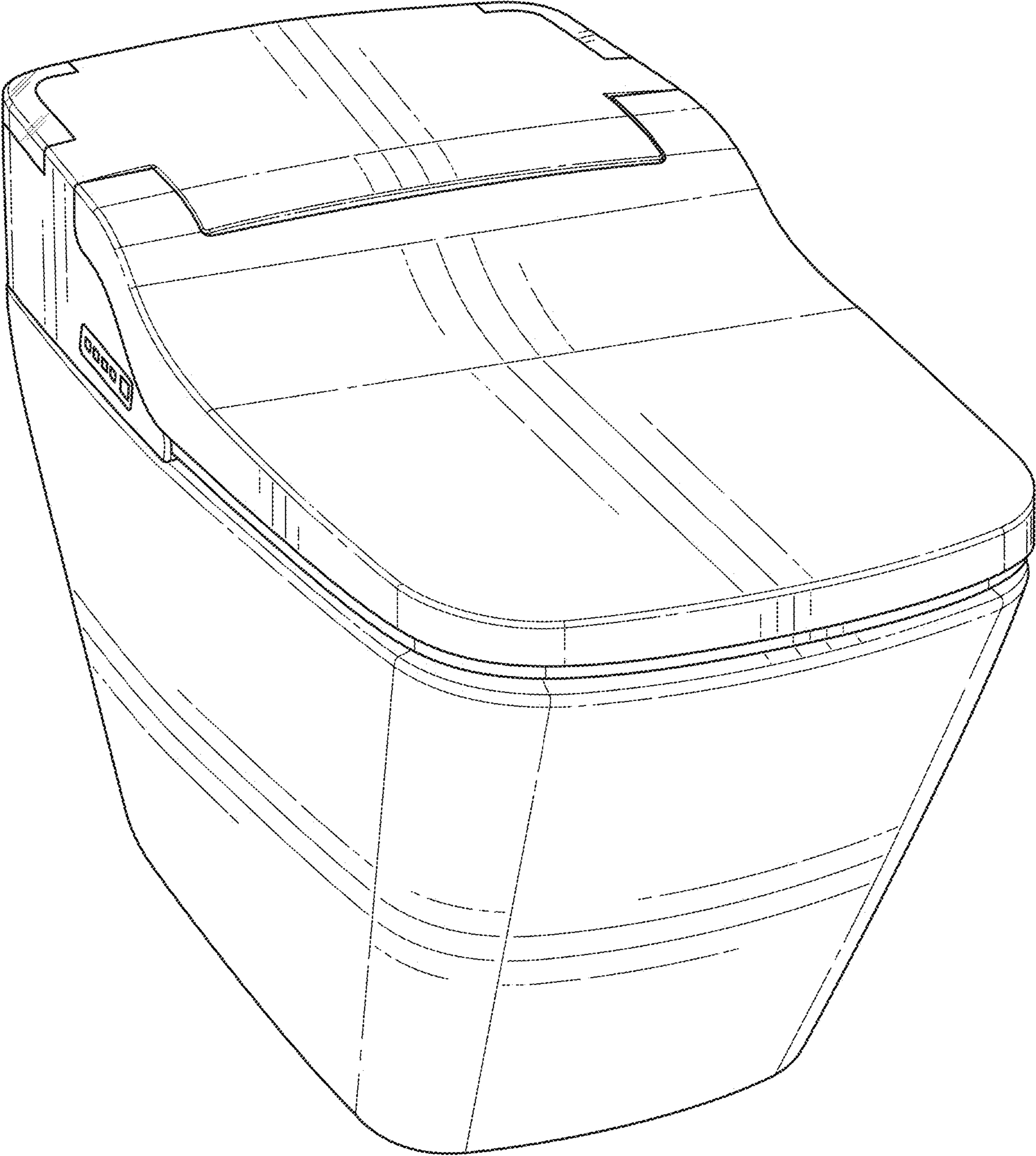


FIG. 1

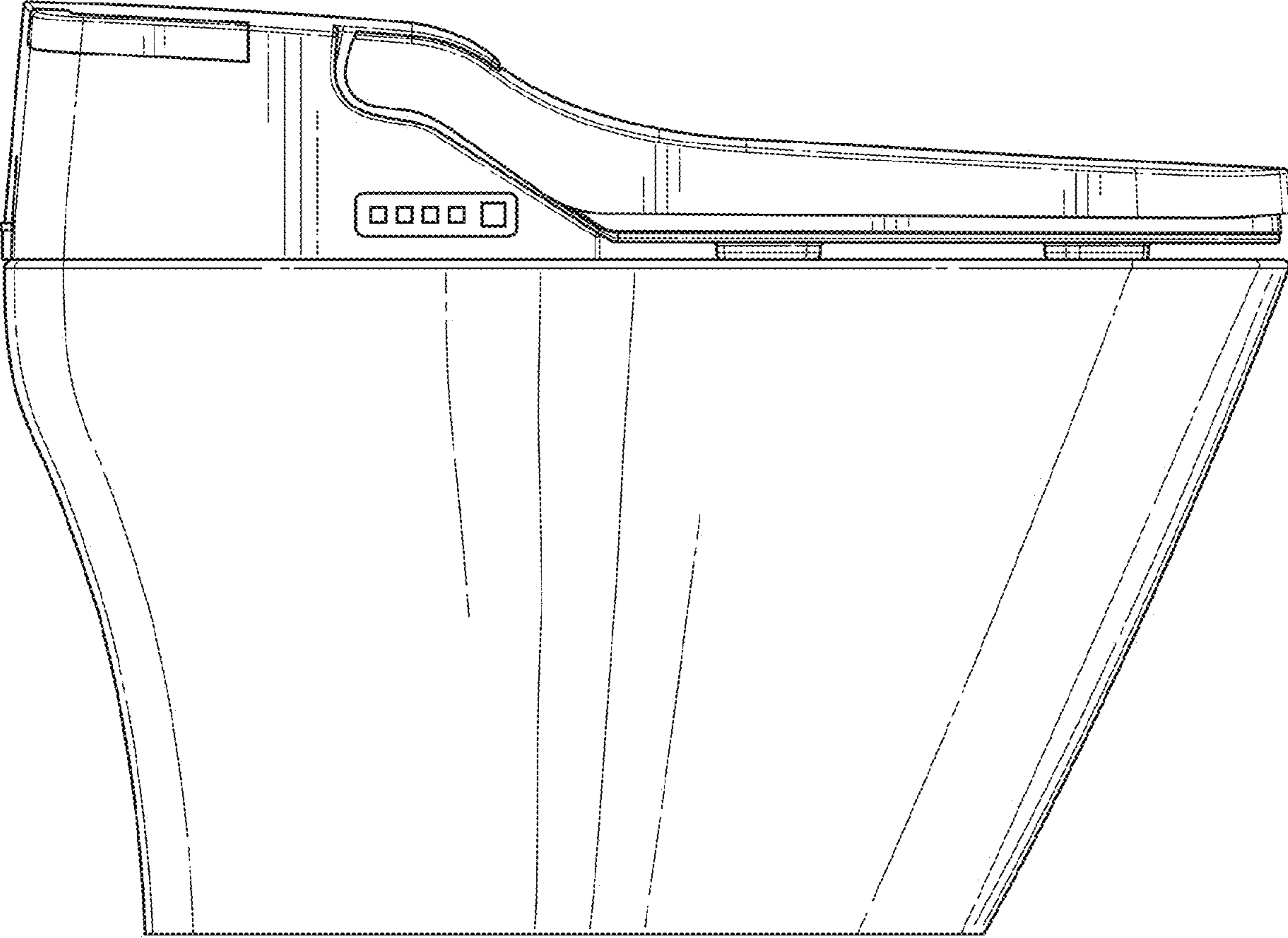


FIG. 2



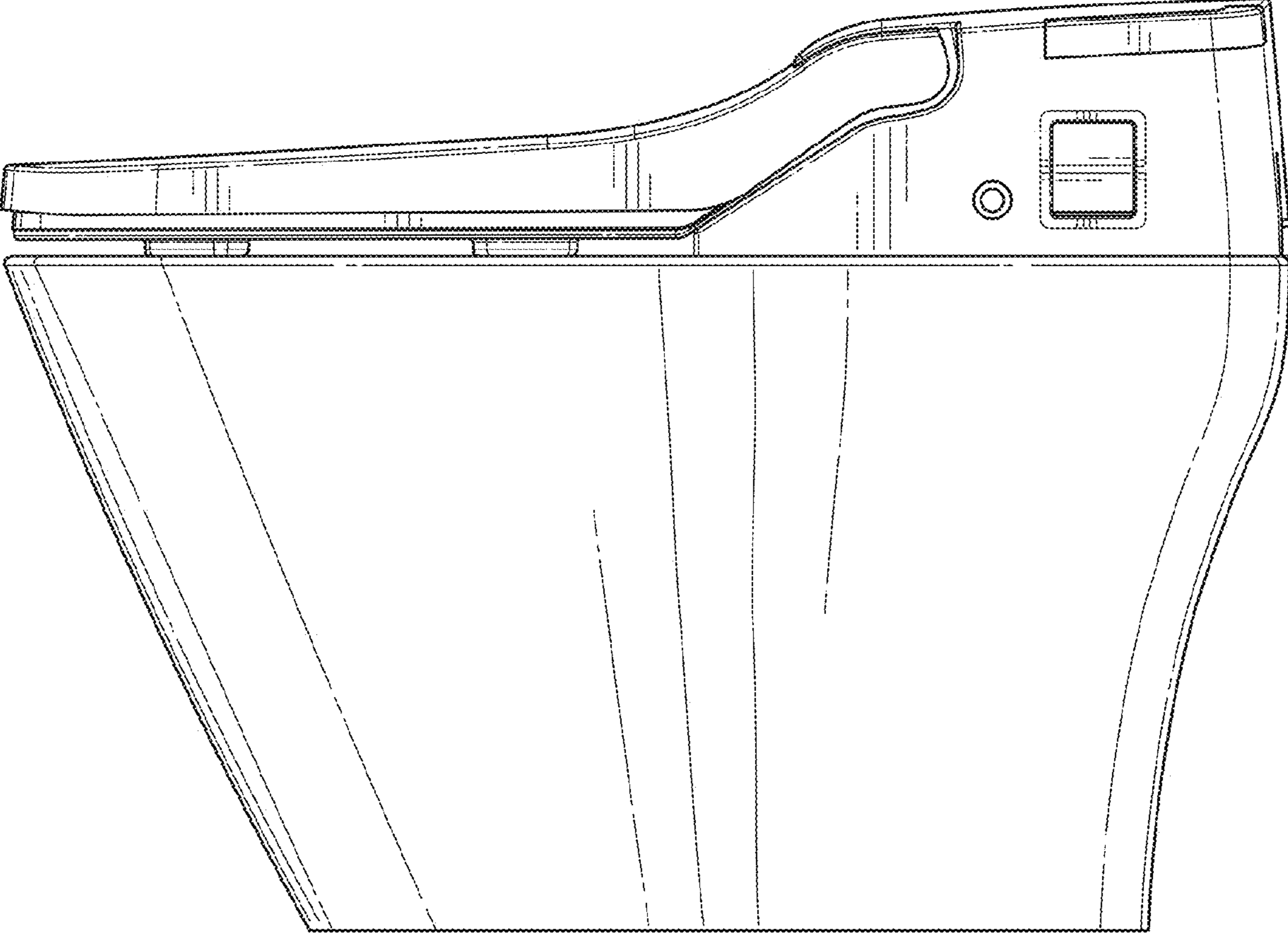


FIG. 3

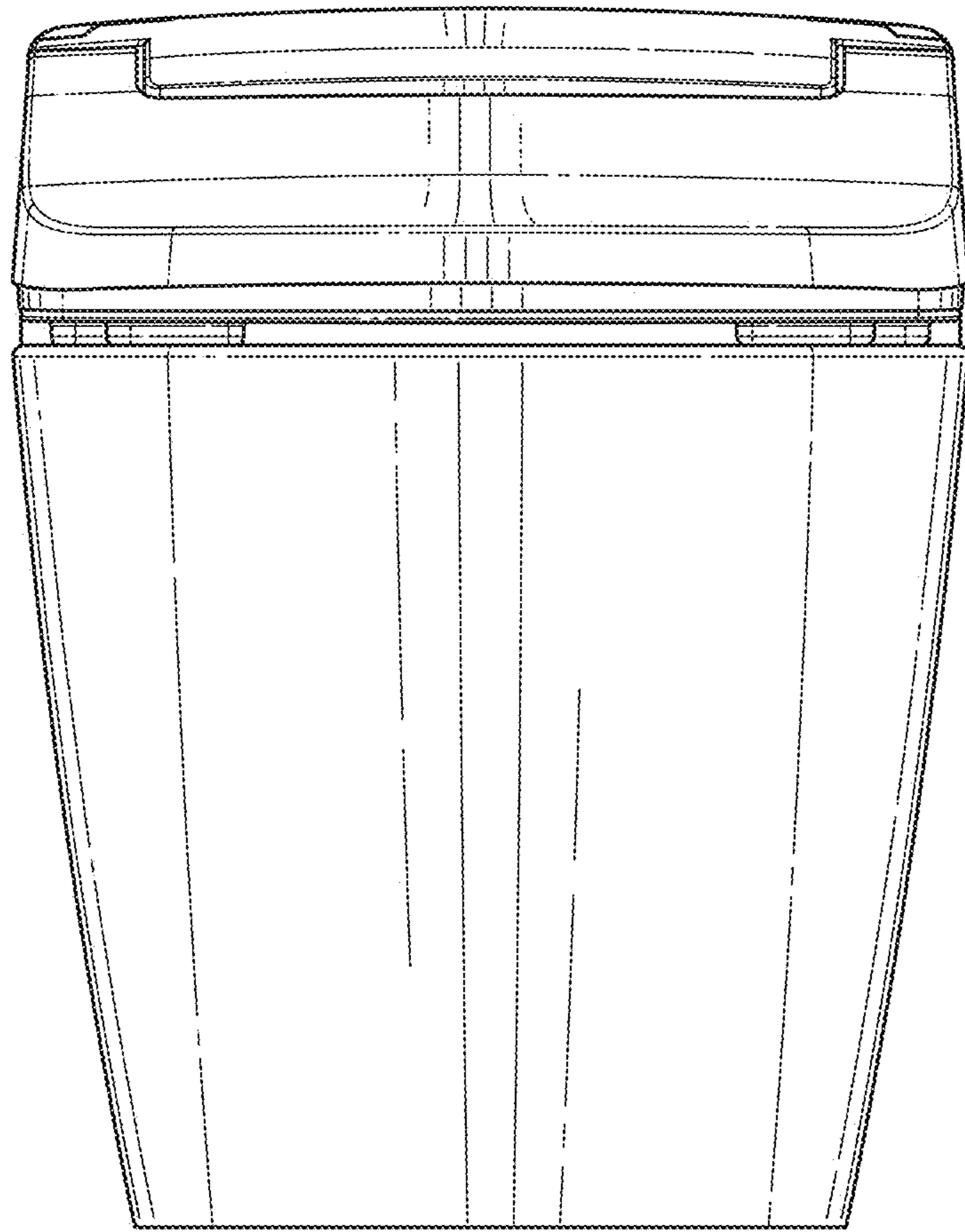


FIG. 4

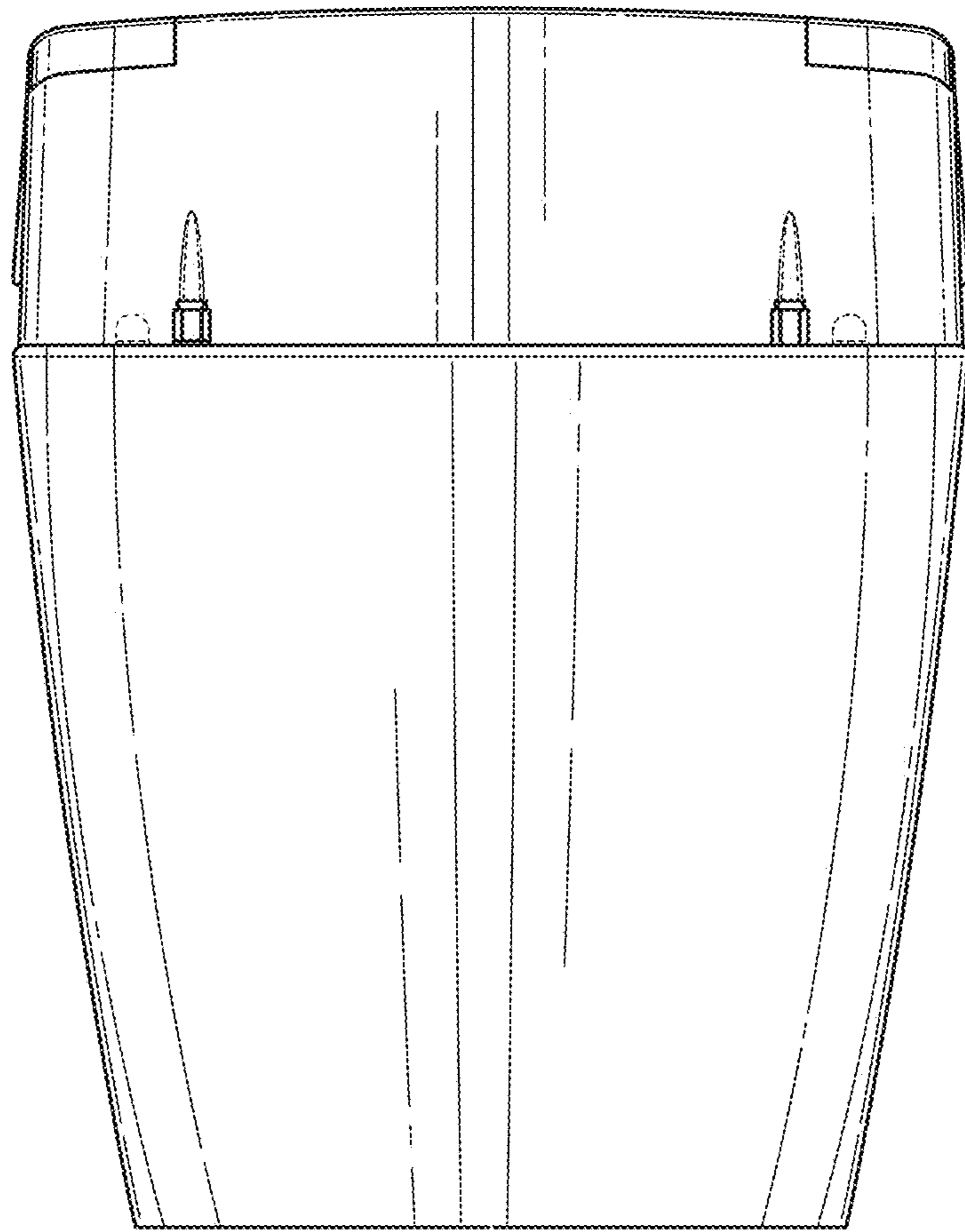


FIG. 5

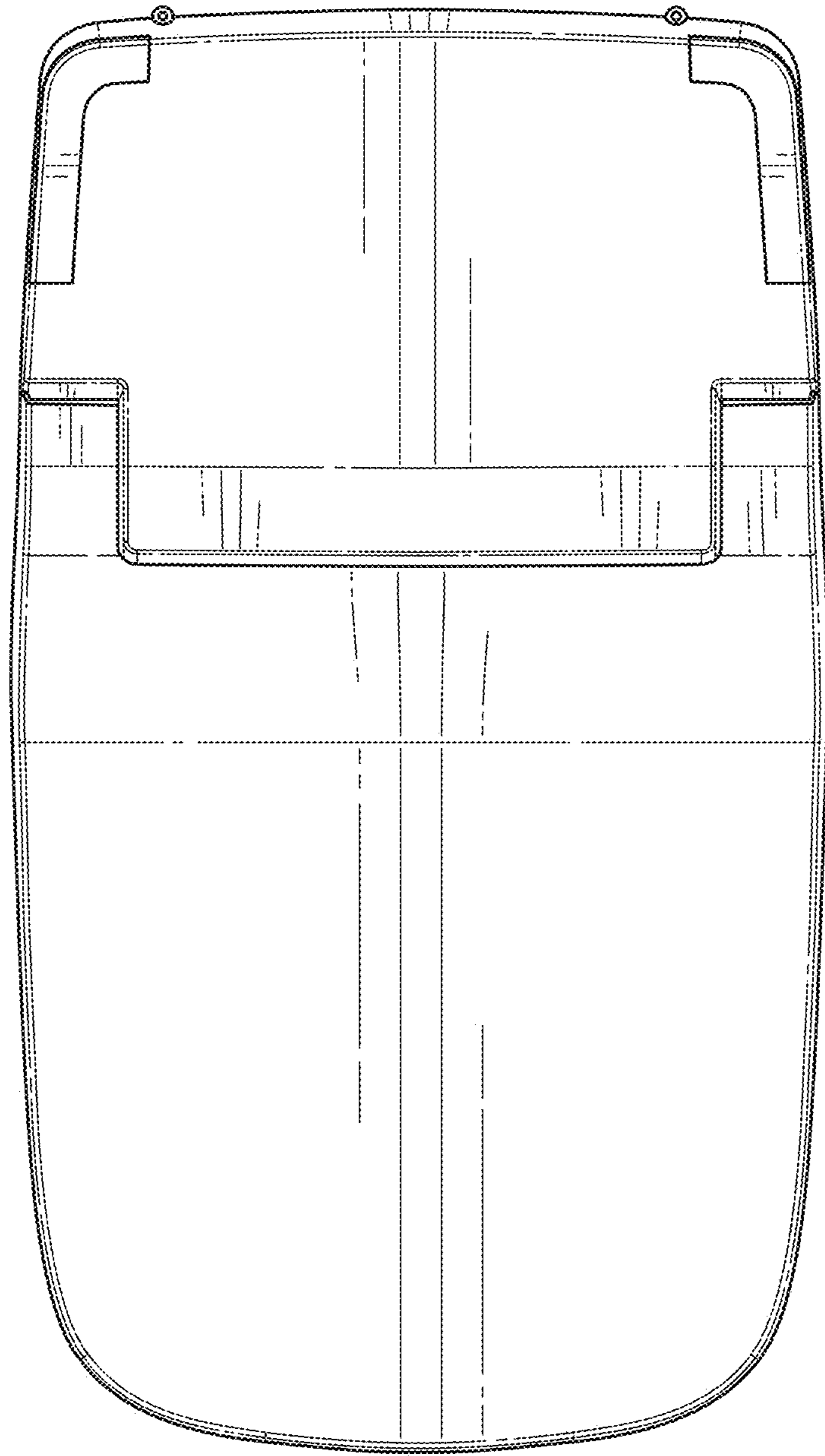


FIG. 6



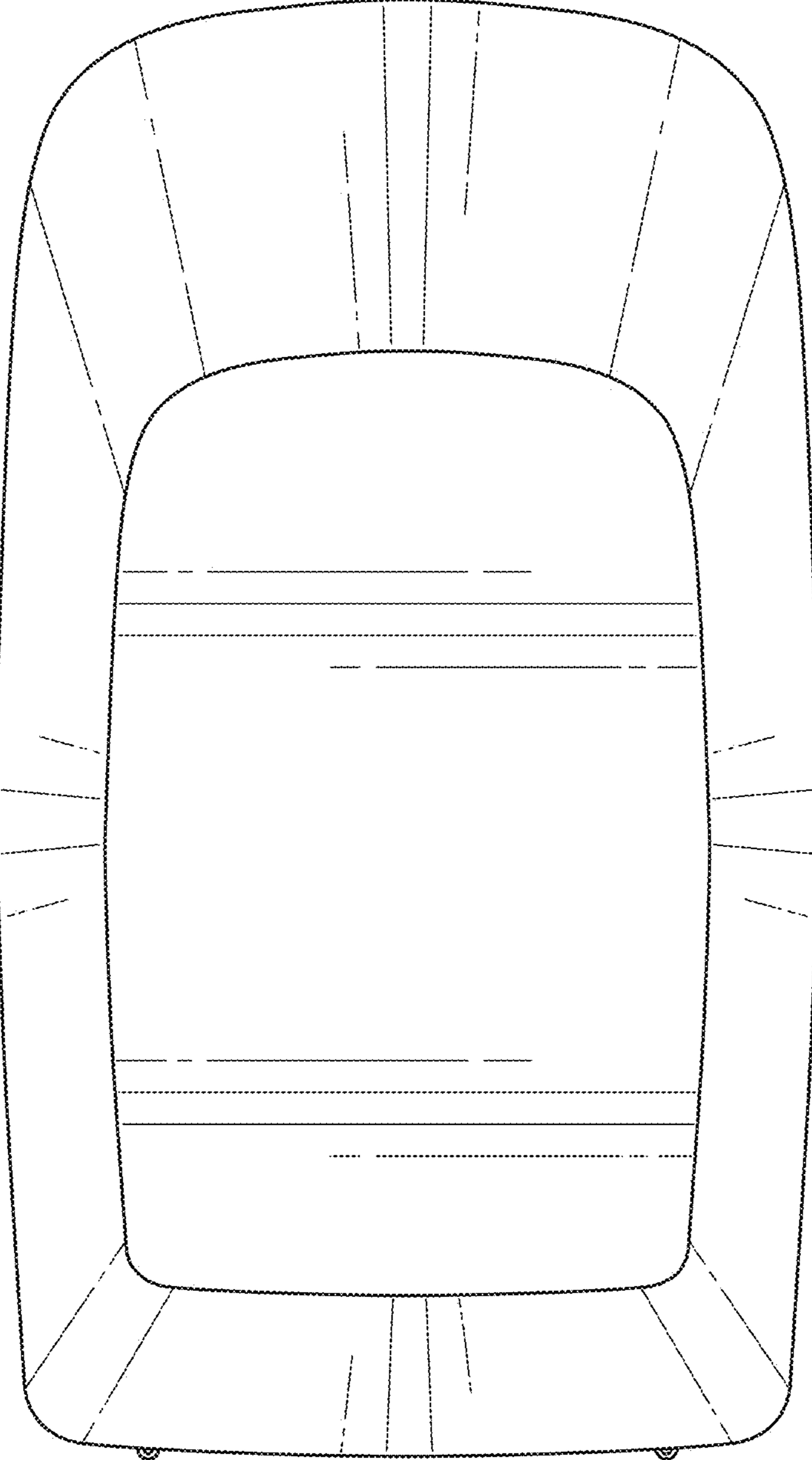


FIG. 7

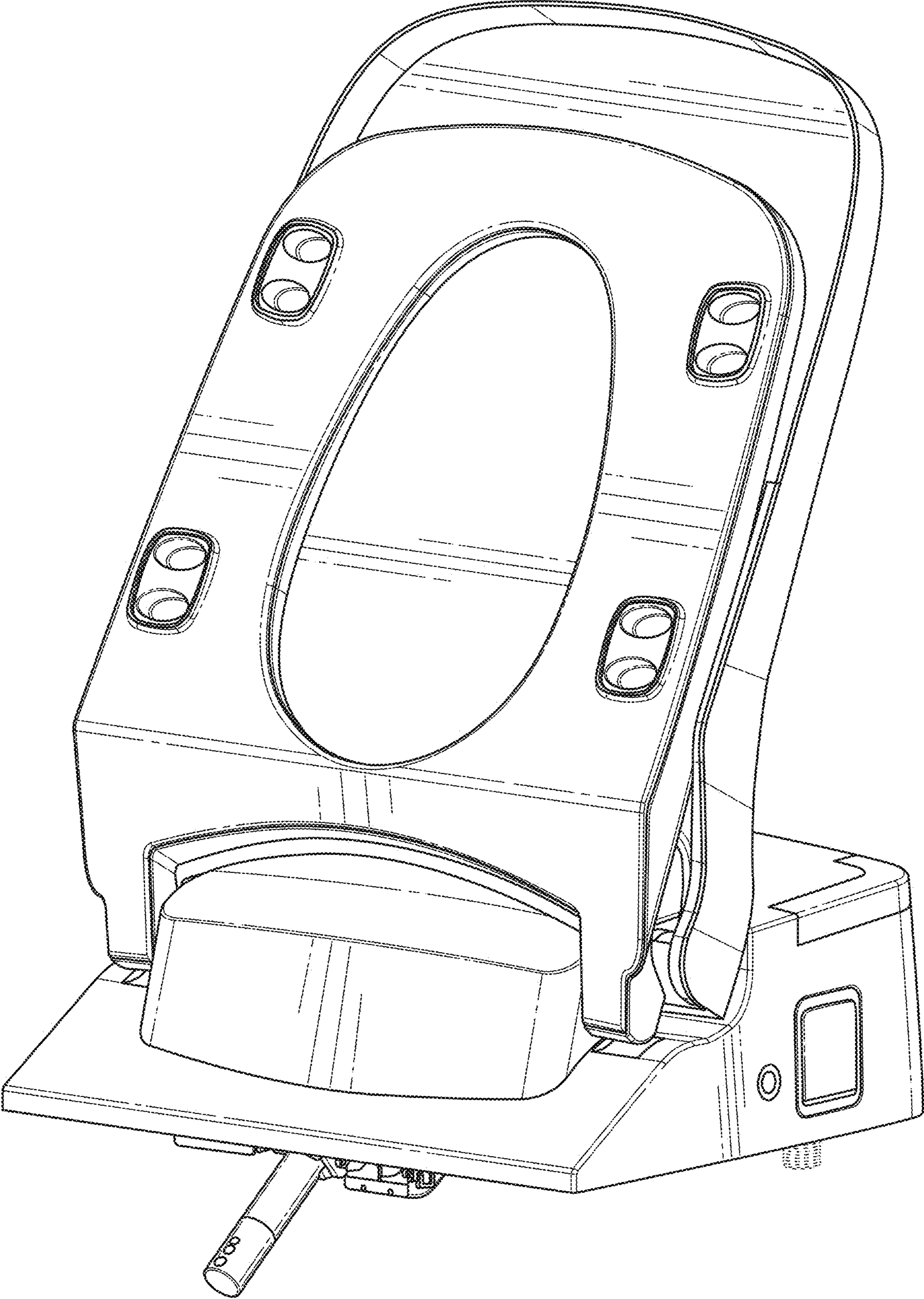


FIG. 8

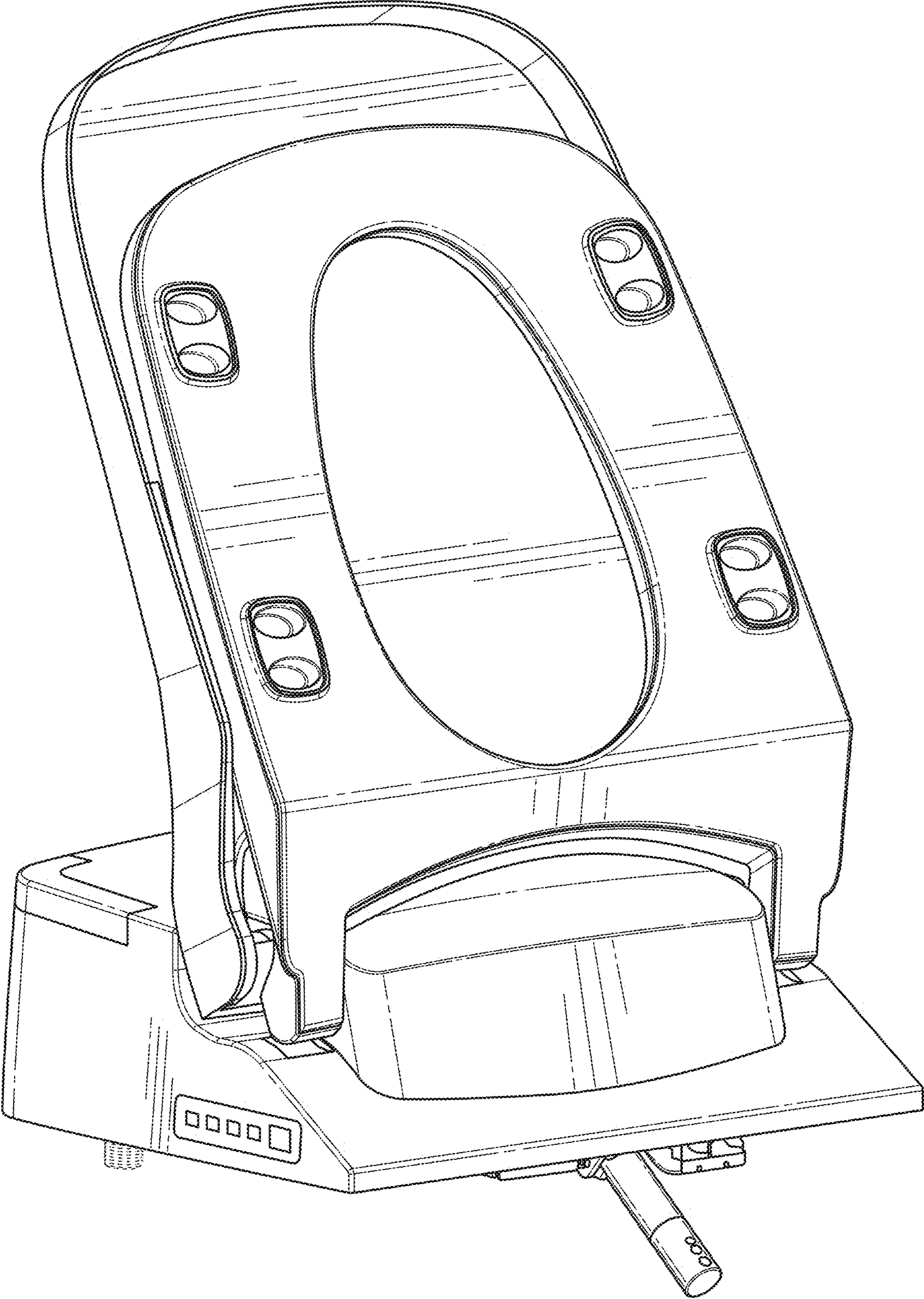


FIG. 9



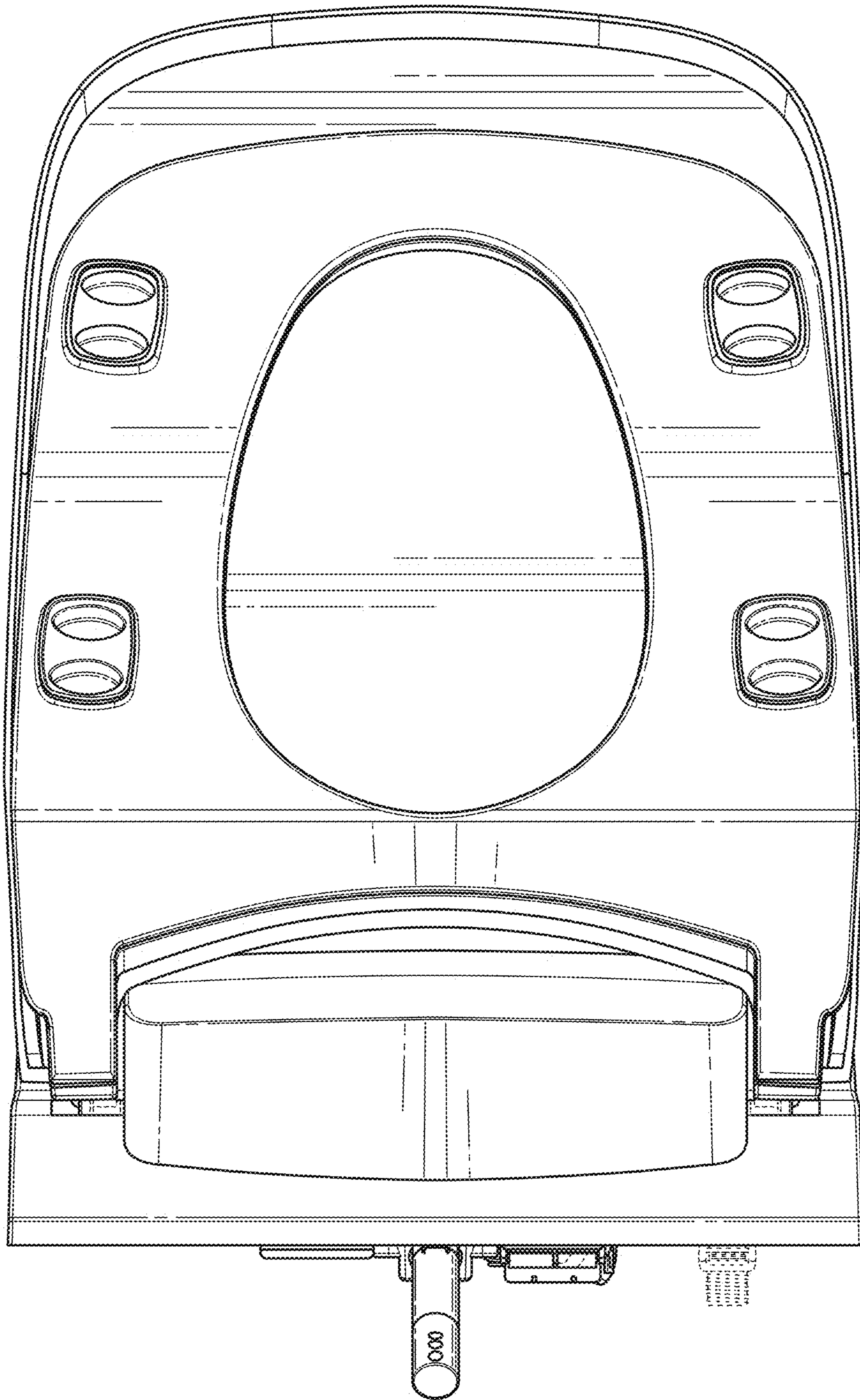


FIG. 10

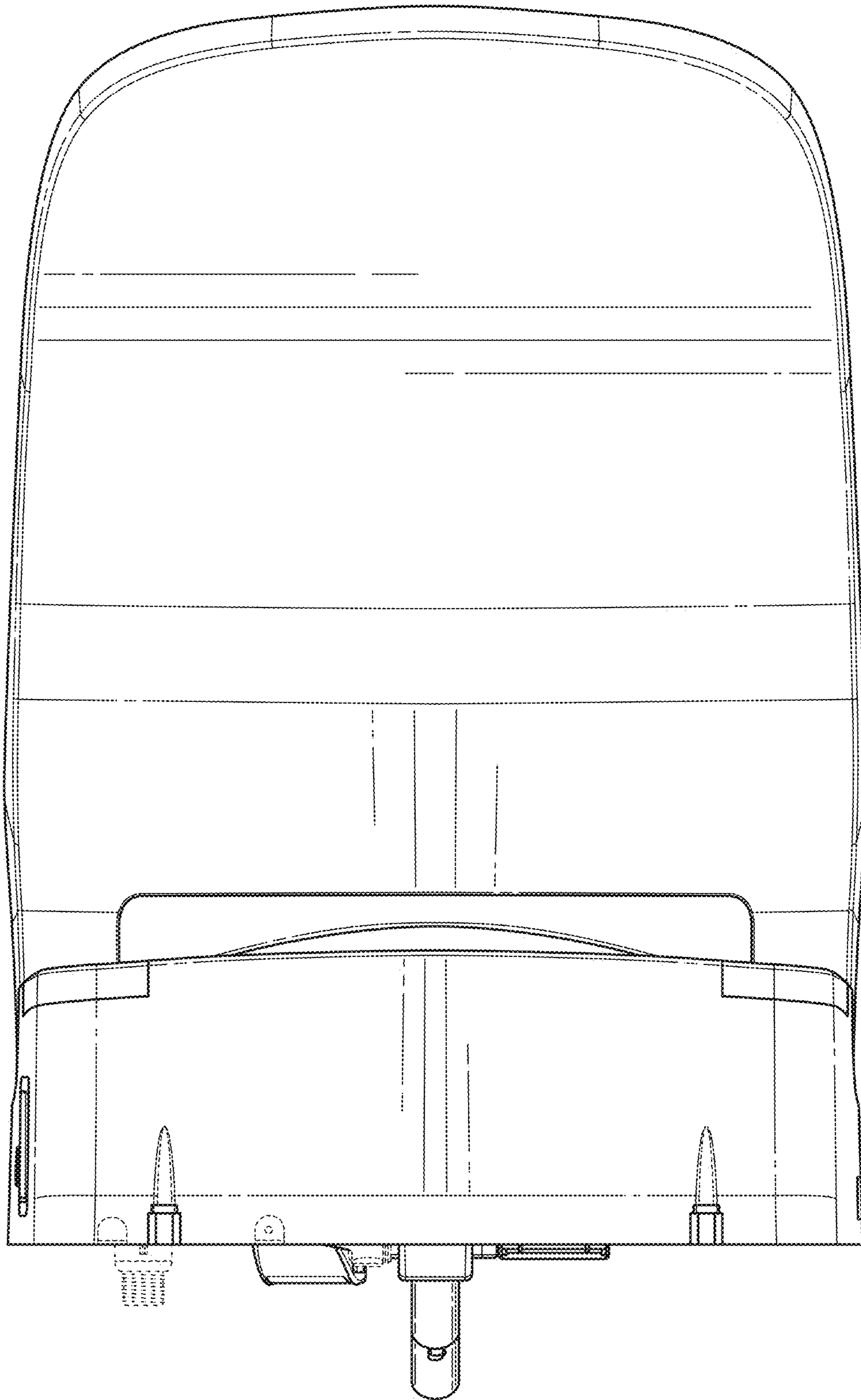


FIG. 11



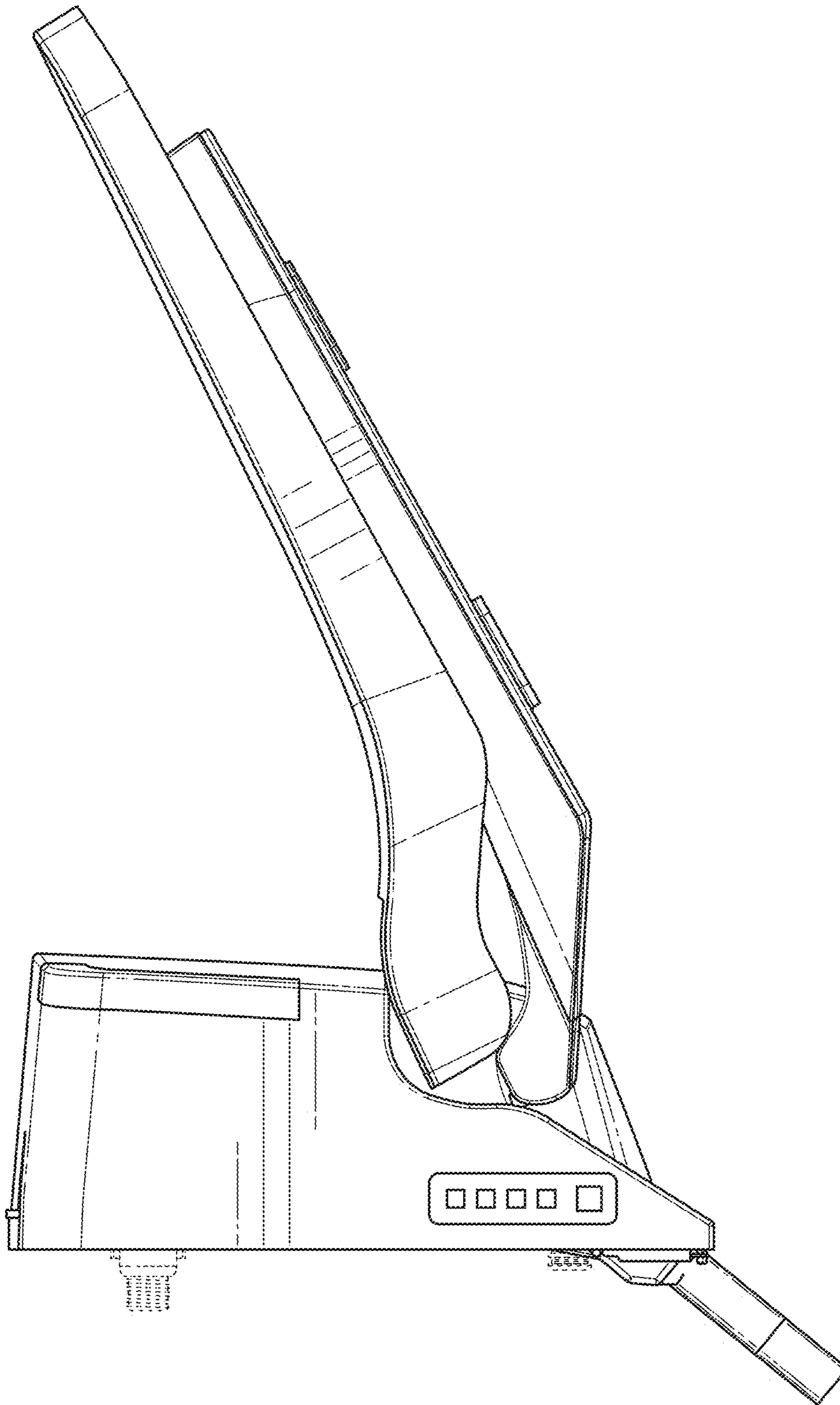


FIG. 12

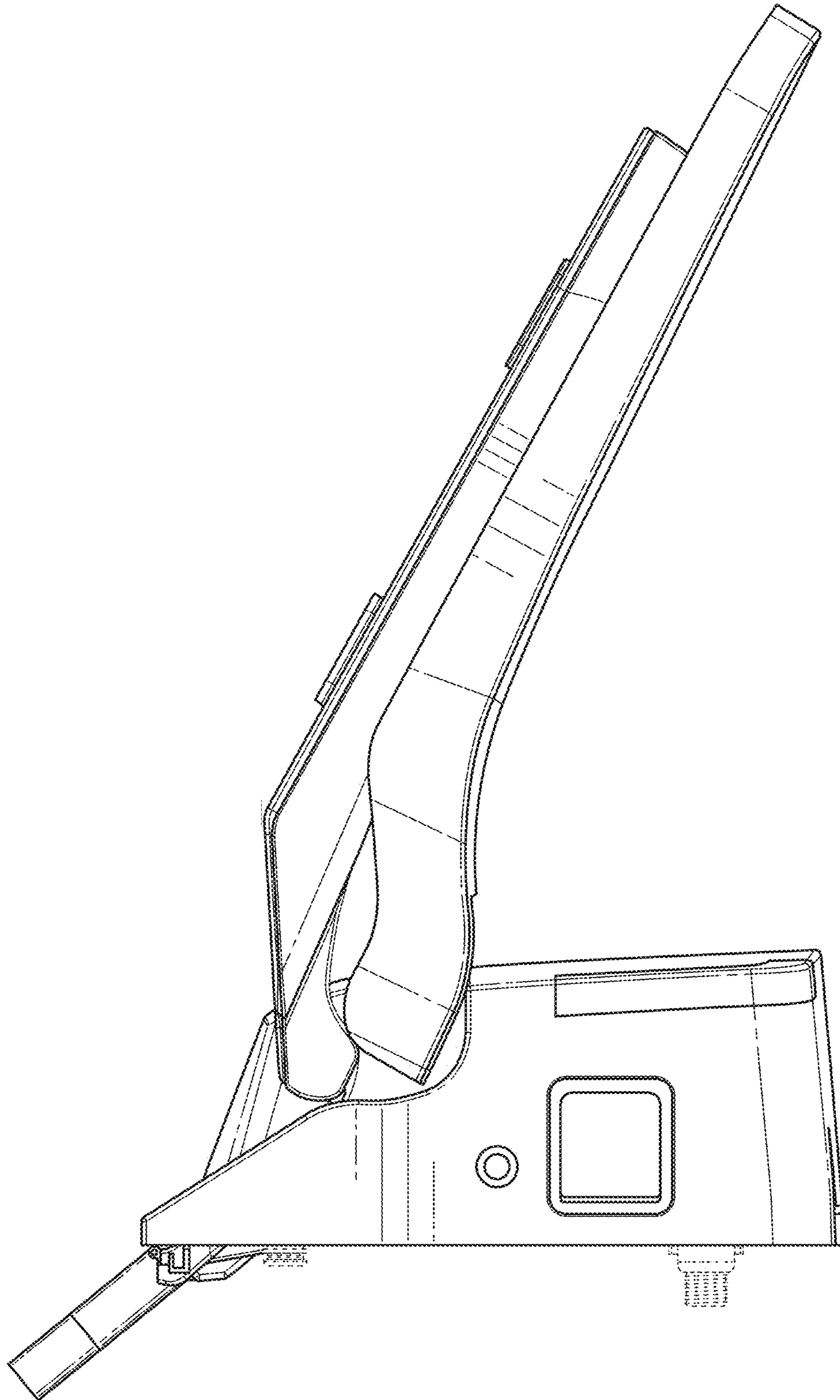


FIG. 13

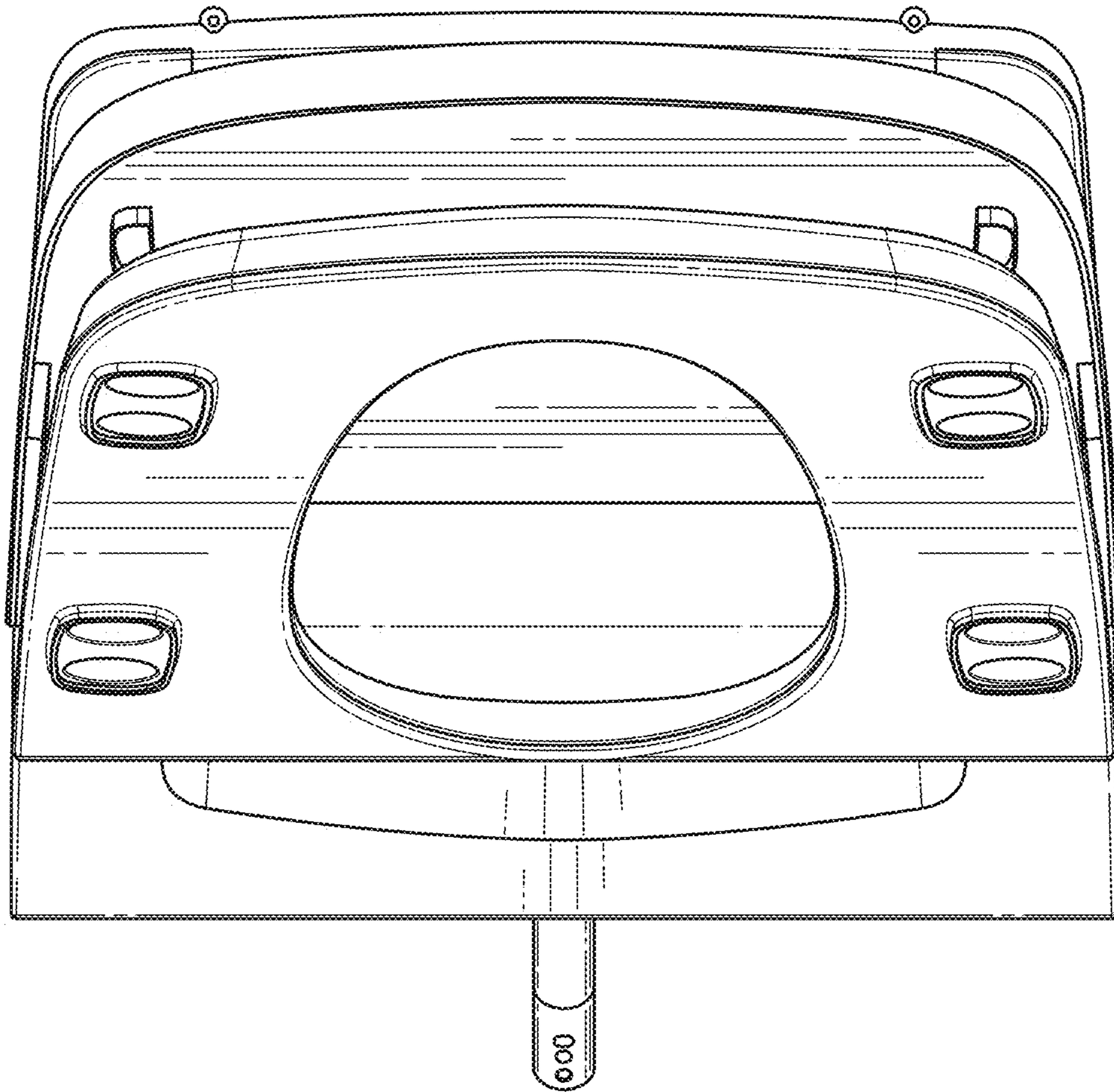


FIG. 14

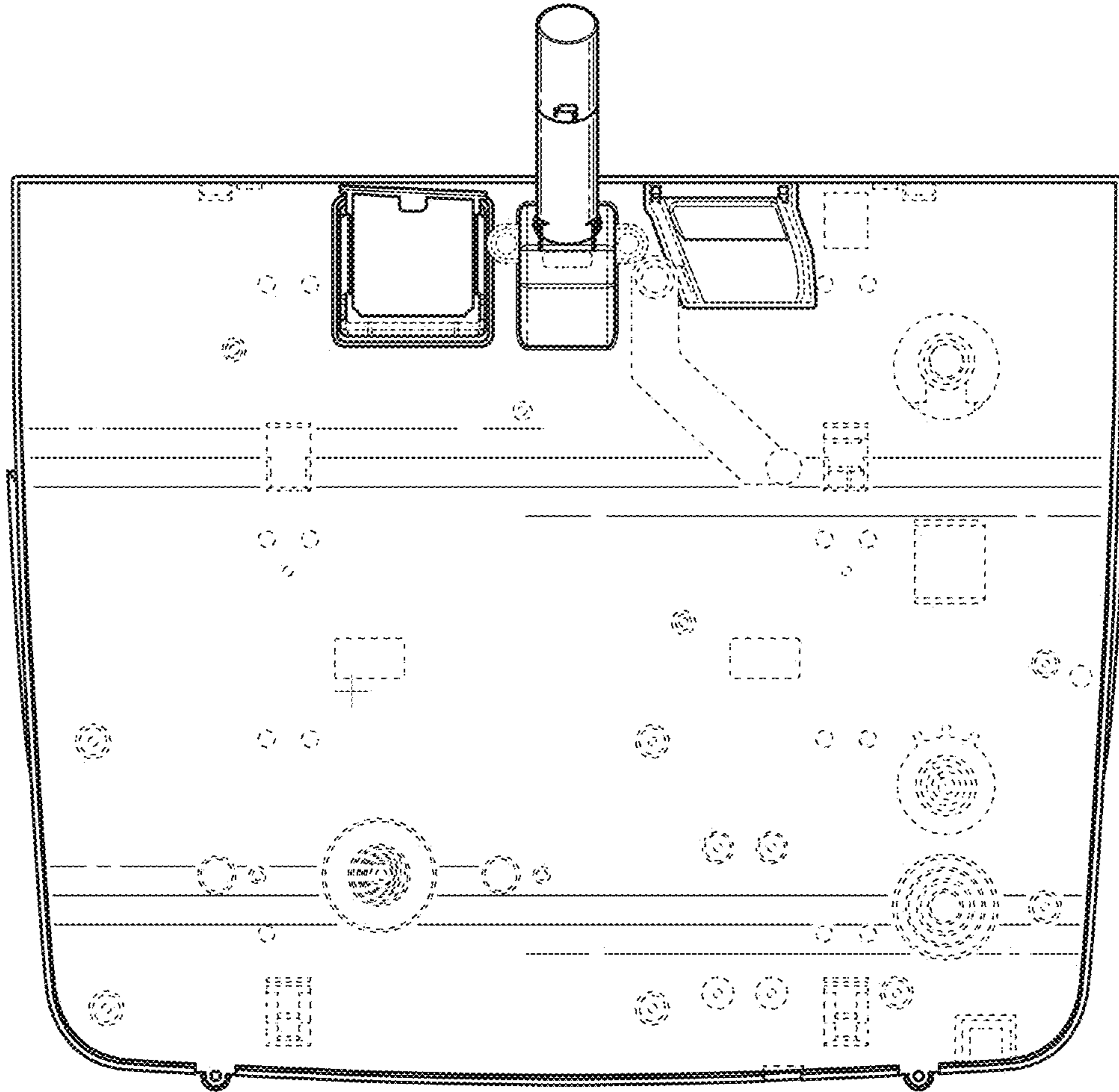


FIG. 15



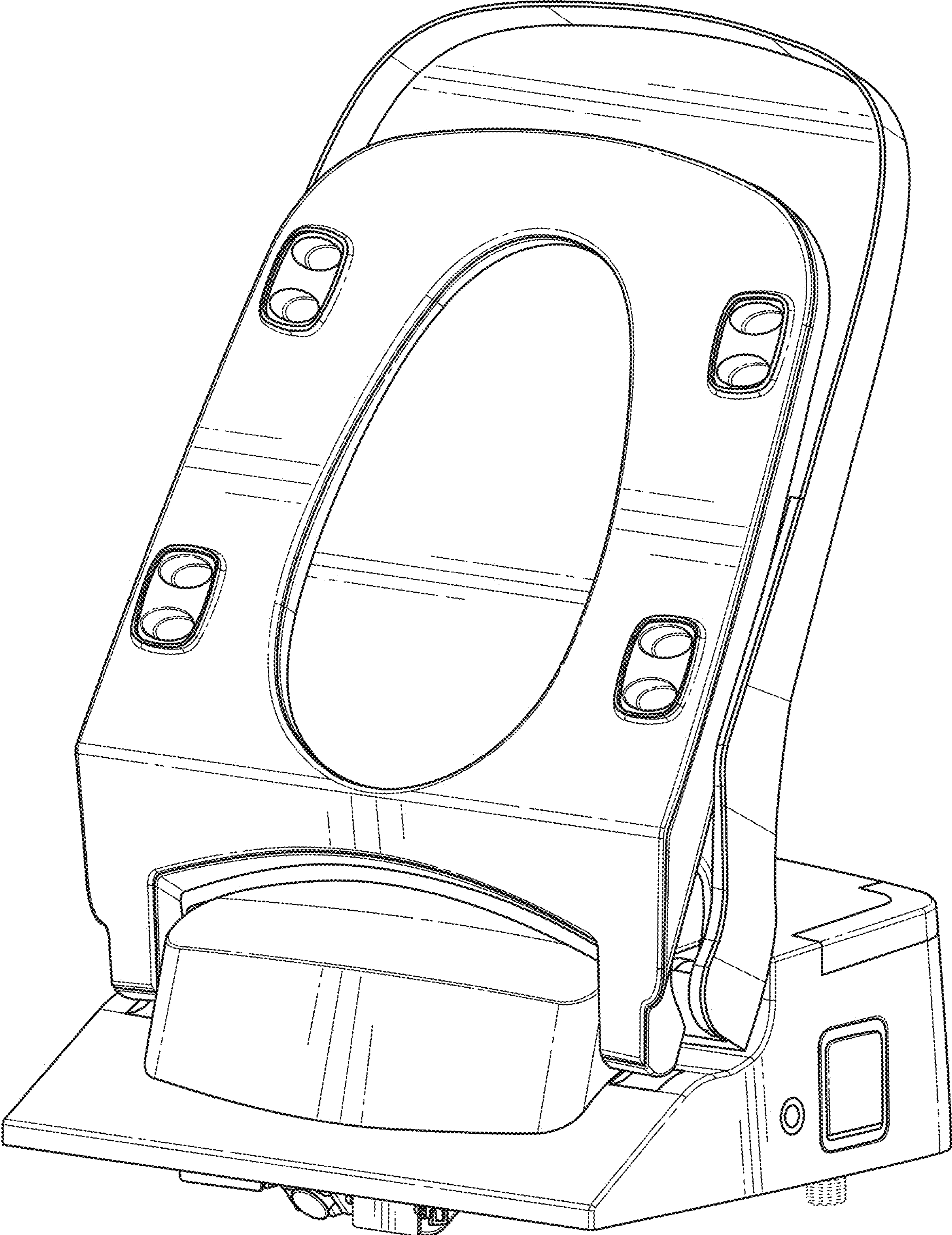


FIG. 16