



US00D979718S

(12) **United States Design Patent**
Stoler

(10) **Patent No.:** **US D979,718 S**

(45) **Date of Patent:** **** Feb. 28, 2023**

(54) **TUB SPOUT**

(71) Applicant: **DELTA FAUCET COMPANY,**
Indianapolis, IN (US)

(72) Inventor: **Benjamin Stoler,** Carmel, IN (US)

(73) Assignee: **DELTA FAUCET COMPANY,**
Indianapolis, IN (US)

(**) Term: **15 Years**

(21) Appl. No.: **29/777,289**

(22) Filed: **Apr. 5, 2021**

(51) **LOC (14) Cl.** **23-01**

(52) **U.S. Cl.**
USPC **D23/257**

(58) **Field of Classification Search**
USPC D23/238-243, 255, 257
CPC E03C 1/042
See application file for complete search history.

(56) **References Cited**

U.S. PATENT DOCUMENTS

- 3,079,093 A * 2/1963 Bellows E03C 1/0465
222/630
- D508,979 S * 8/2005 Otero D23/255
- D529,589 S * 10/2006 Veltz D23/257

- D546,424 S * 7/2007 Kohler, Jr. D23/255
- D573,695 S * 7/2008 Rexach D23/255
- 8,176,580 B2 * 5/2012 Kajuch E03C 1/04
4/678
- D710,976 S * 8/2014 Huang D23/255
- D791,282 S * 7/2017 Bahler D23/255
- D870,248 S * 12/2019 Spangler D23/257
- 10,619,334 B2 * 4/2020 Varma E03C 1/0404
- D912,217 S * 3/2021 Eads D23/255
- D954,230 S * 6/2022 Lazarini D23/255

* cited by examiner

Primary Examiner — Robert A Delehanty

(74) *Attorney, Agent, or Firm* — Jeffrey L. Doyle

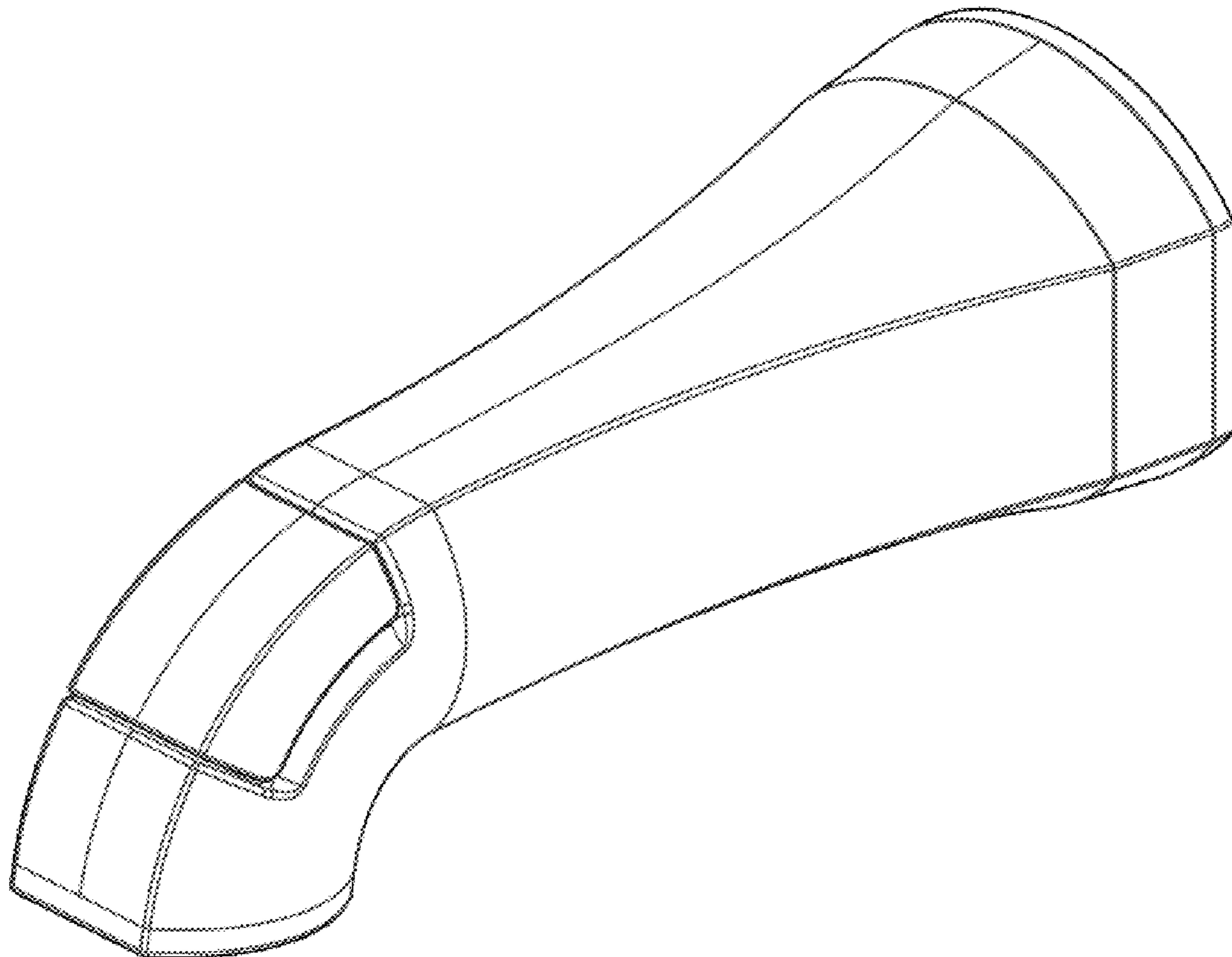
(57) **CLAIM**

The ornamental design for a tub spout, as shown and described.

DESCRIPTION

FIG. 1 is a front perspective view of a tub spout showing my new design;
 FIG. 2 is a rear perspective view thereof;
 FIG. 3 is a front elevational view thereof;
 FIG. 4 is a left side view thereof;
 FIG. 5 is a rear view thereof;
 FIG. 6 is a right side view thereof;
 FIG. 7 is a top plan view thereof; and,
 FIG. 8 is a bottom view thereof.

1 Claim, 4 Drawing Sheets



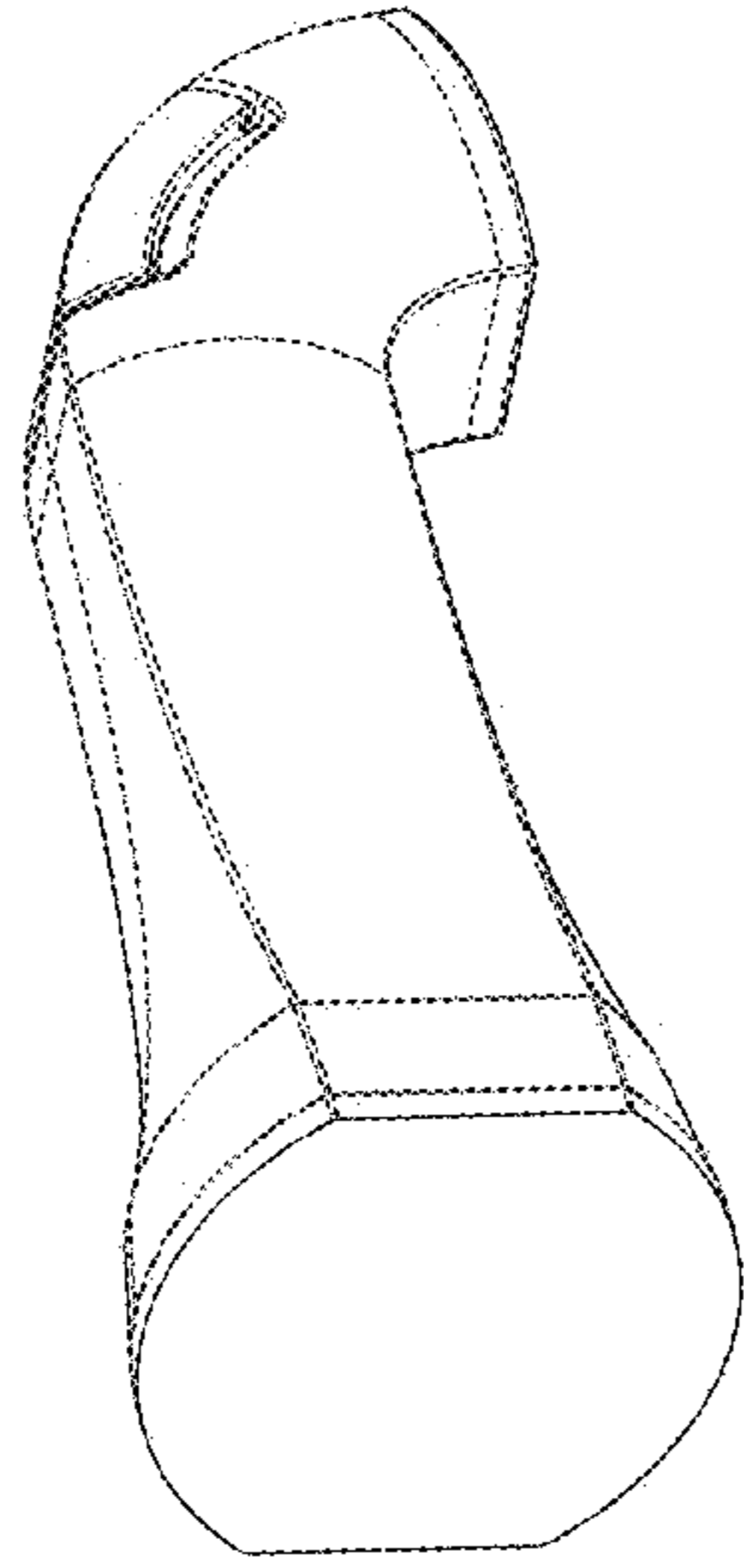


FIG - 2

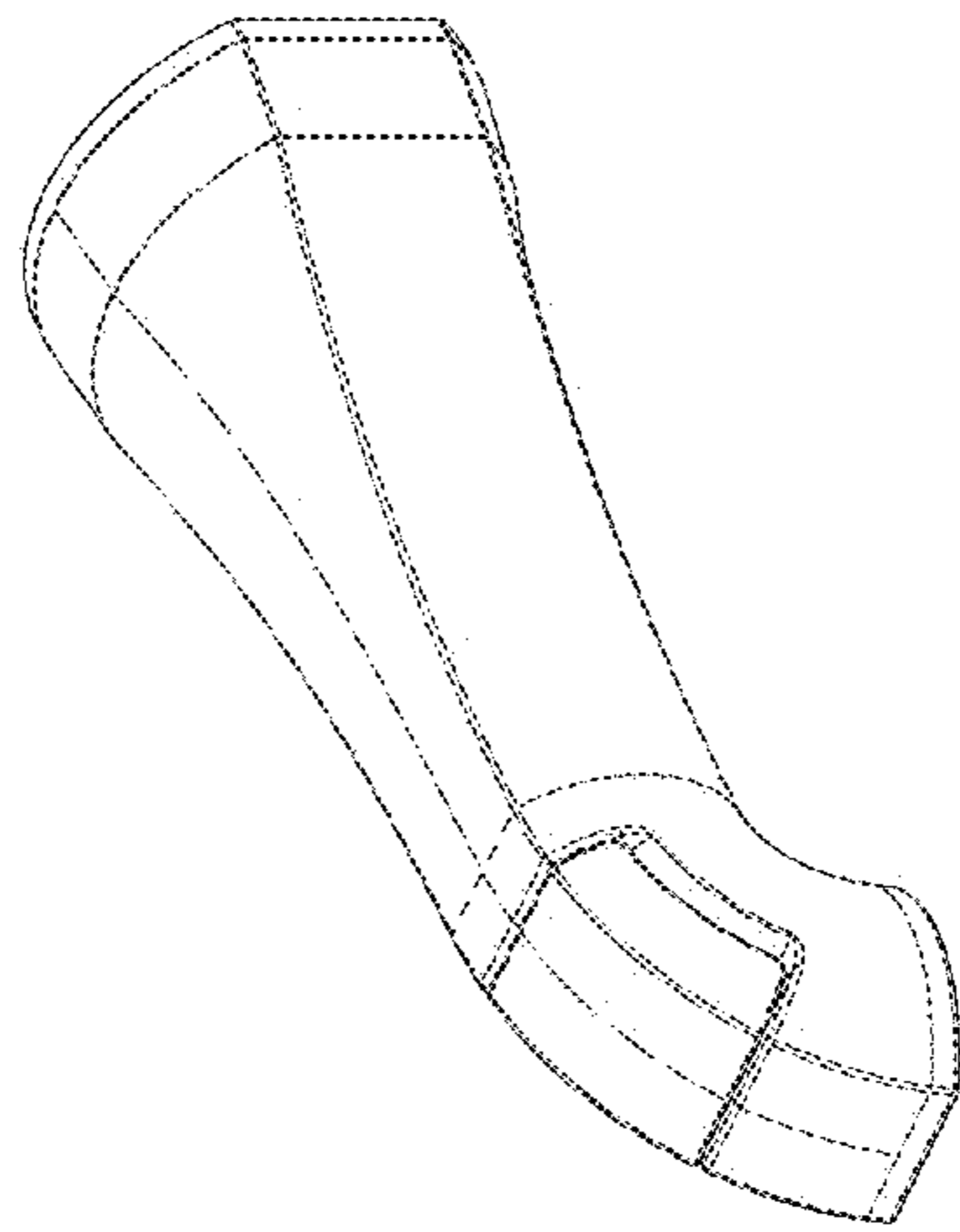


FIG - 1

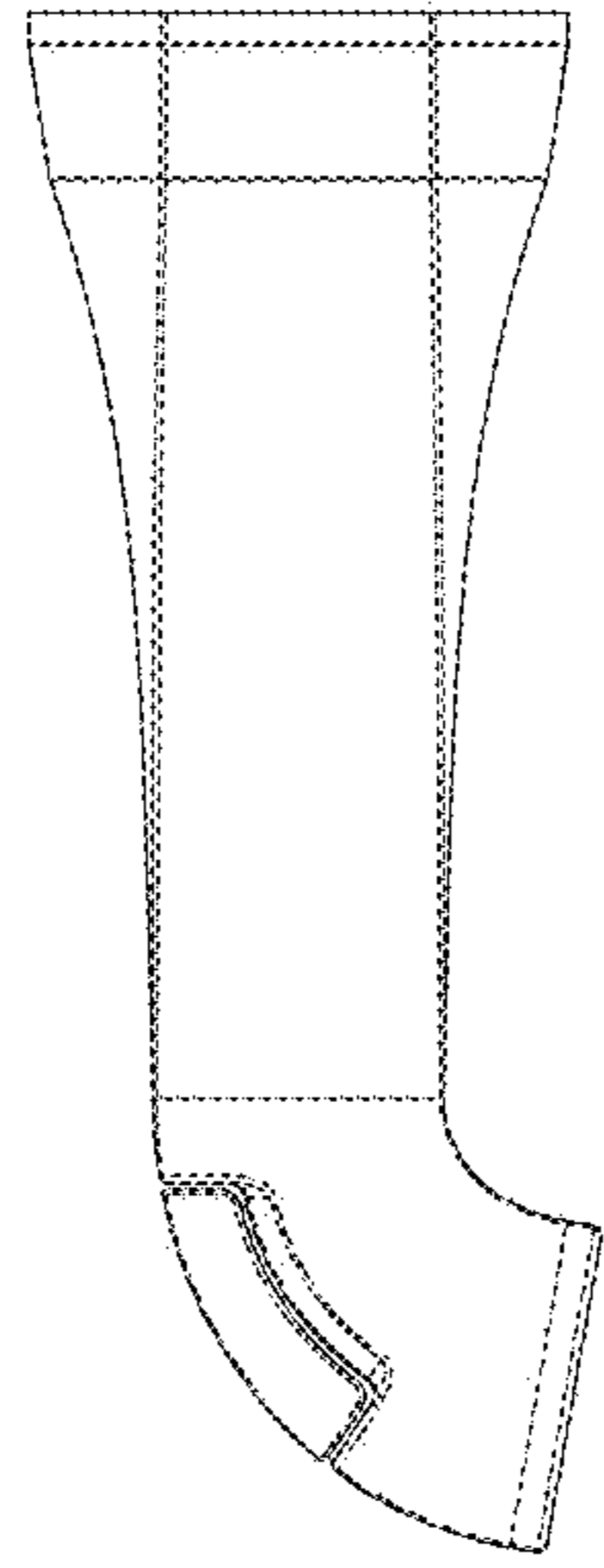


FIG - 4

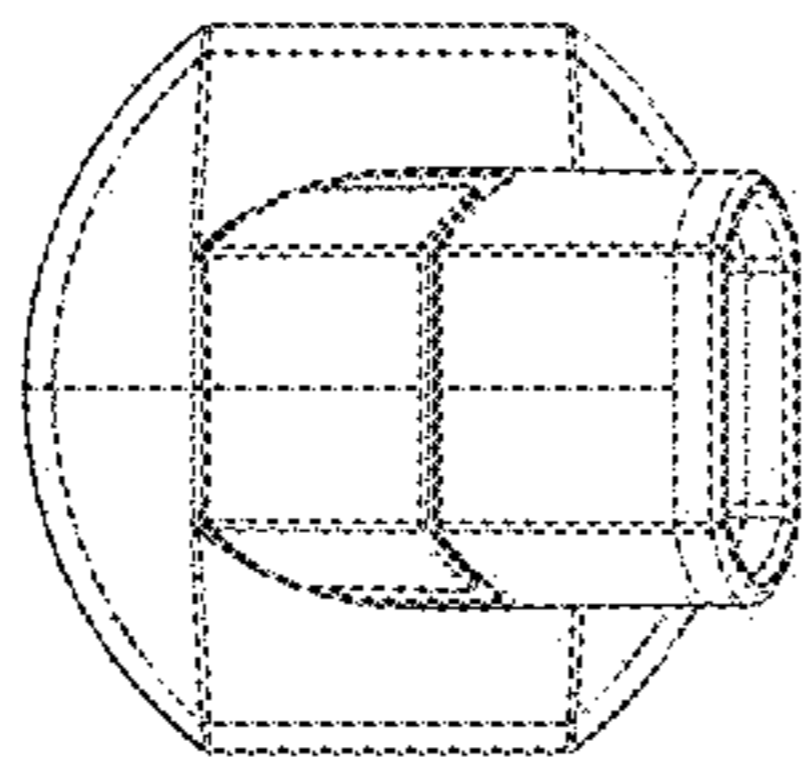


FIG - 3

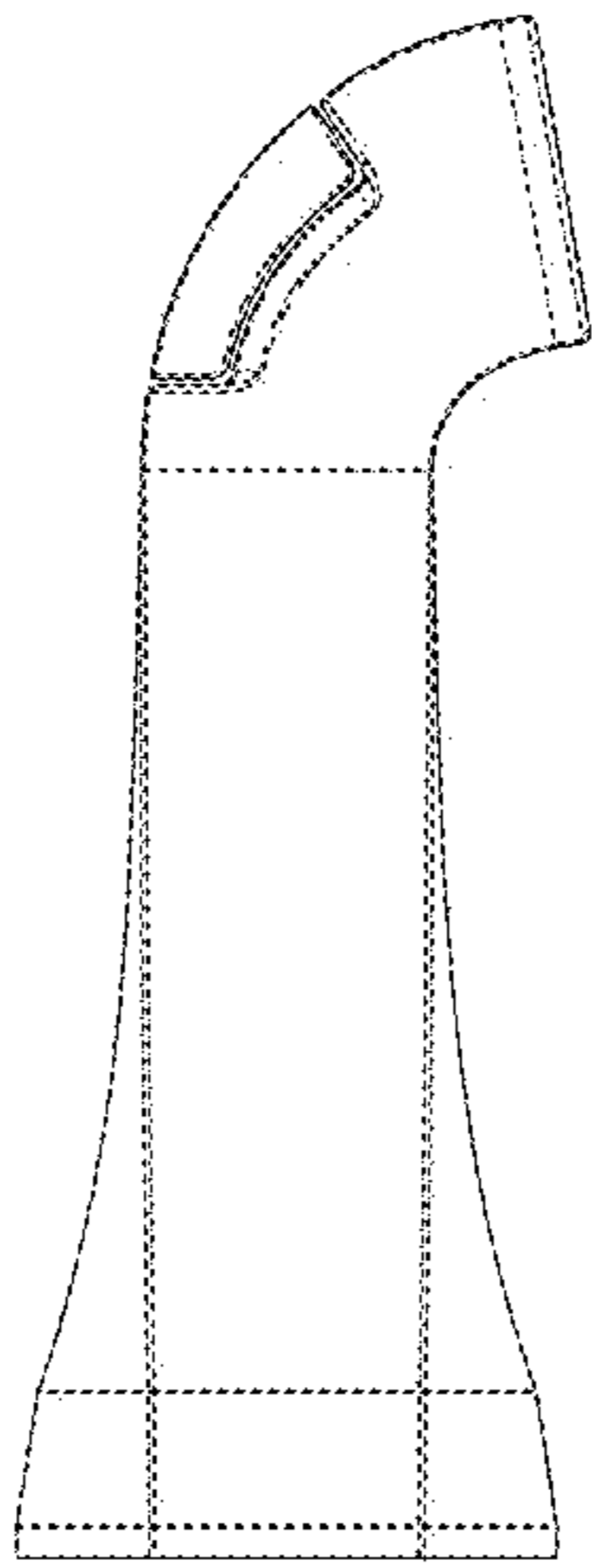


FIG - 6

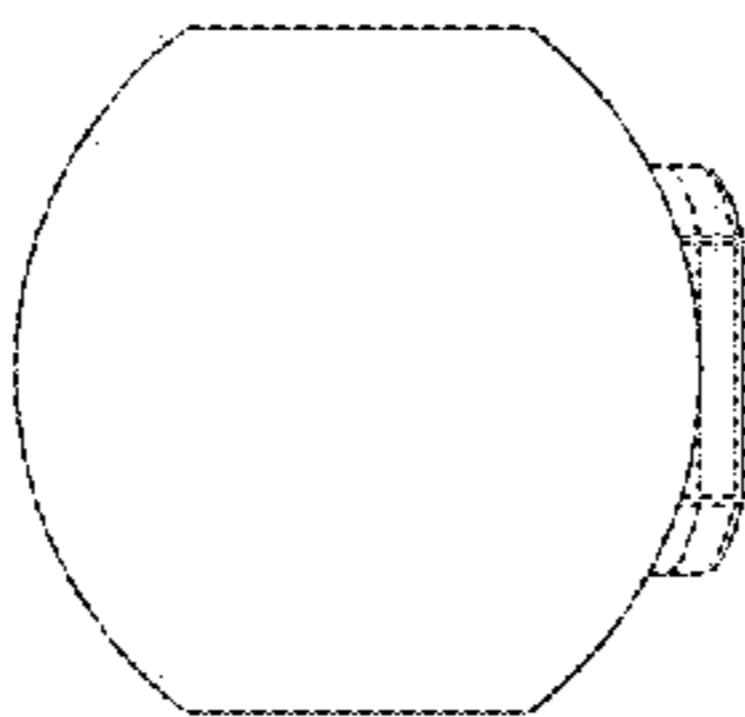


FIG - 5

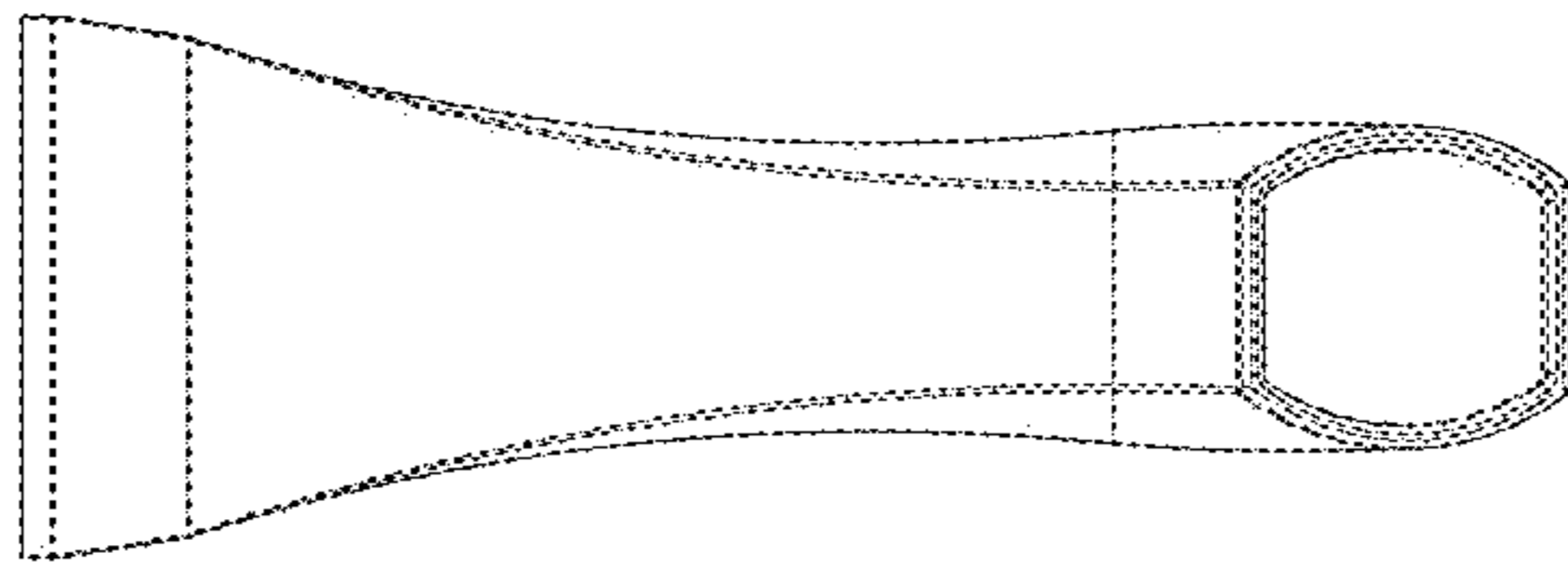


FIG - 8

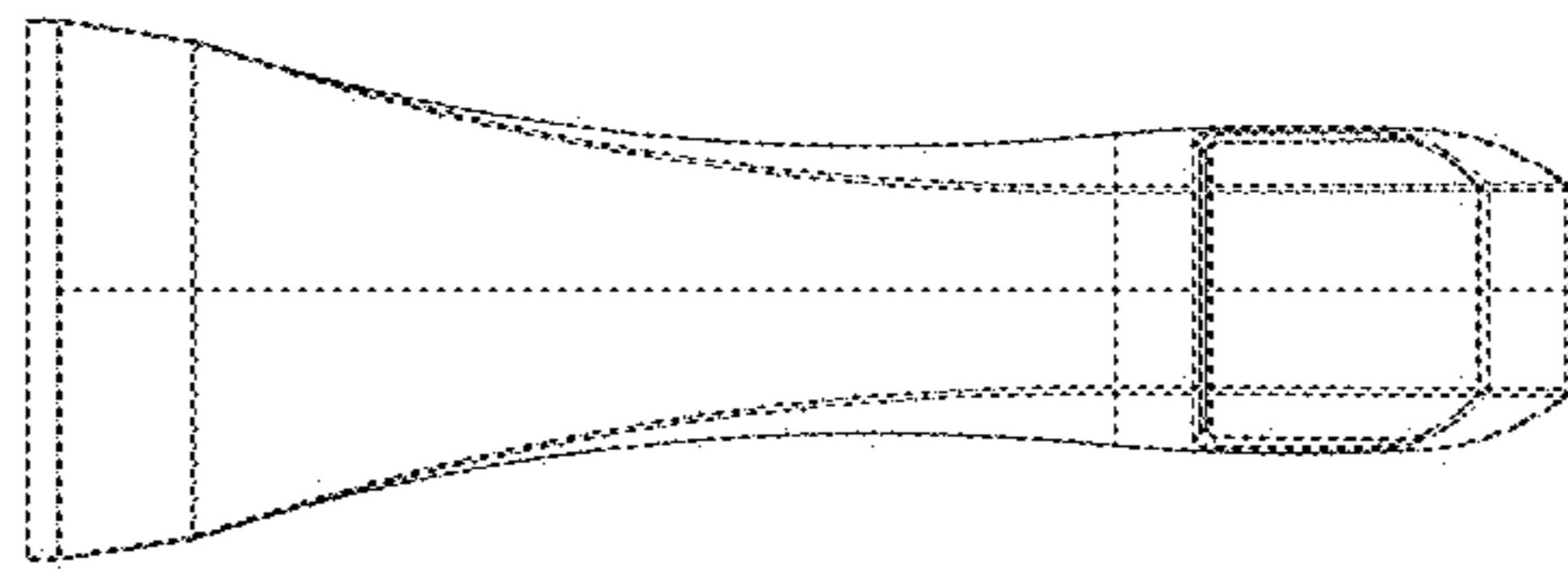


FIG - 7