



US00D979717S

(12) **United States Design Patent** (10) **Patent No.:** **US D979,717 S**
Kulig (45) **Date of Patent:** **** Feb. 28, 2023**

(54) **FAUCET HANDLE**

FOREIGN PATENT DOCUMENTS

- (71) Applicant: **Graff Faucets**, Milwaukee, WI (US)
- (72) Inventor: **Zbigniew Kulig**, Wadsworth, IL (US)
- (73) Assignee: **Graff Faucets**, Milwaukee, WI (US)
- (**) Term: **15 Years**

CA	167901	*	3/2017
IN	223914-0001	*	1/2011

- (21) Appl. No.: **29/762,248**
- (22) Filed: **Dec. 15, 2020**
- (51) **LOC (14) Cl.** **23-01**
- (52) **U.S. Cl.**
USPC **D23/252**
- (58) **Field of Classification Search**
USPC D23/238-244, 250, 252, 254-255, 257;
D8/300, 307-308
CPC F16K 31/602; F16K 31/605; F16K 31/607;
E03C 1/02; E03C 1/04
See application file for complete search history.

OTHER PUBLICATIONS

Moen 95612 Monticello Replacement Single Handle, first available Sep. 14, 2004[online], [site visited Jun. 29, 2022]. Available from internet, URL:<<https://www.amazon.com/Moen-95612-Replacement-Part/dp/B0017LLR9Y>> (Year: 2004).*

Delta Faucet H697PN Cassidy Two Lever Roman Tub Handle Kit, first available Jul. 22, 2012[online], [site visited Jun. 29, 2022]. Available from internet, URL:<<https://www.amazon.com/Faucet-H697PN-Cassidy-Handle-Polished/dp/B008K4NNCA?th=1>> (Year: 2012).*

* cited by examiner

Primary Examiner — David G Muller
Assistant Examiner — Jamaal Rasheed
 (74) *Attorney, Agent, or Firm* — Defillo & Associates, Inc.; Evelyn A. Defillo

(56) **References Cited**

U.S. PATENT DOCUMENTS

D378,231 S	*	2/1997	Dubin	D23/252
D429,521 S	*	8/2000	Doughty	D23/250
D455,195 S	*	4/2002	McKeone	D23/249
D461,536 S	*	8/2002	Singtoroj	D23/252
D466,986 S	*	12/2002	Singtoroj	D23/249
D468,405 S	*	1/2003	McKeone	D23/254
D509,569 S	*	9/2005	Svendsen	D23/252
D516,357 S	*	3/2006	Gilbert	D6/550
D522,628 S	*	6/2006	Fritz	D23/252
D571,896 S	*	6/2008	Hanna	D23/250
D810,884 S	*	2/2018	Garland	D23/252
D832,982 S	*	11/2018	Schaubach	D23/249
D867,548 S	*	11/2019	Chen	D23/255
D868,217 S	*	11/2019	Chen	D23/252
D931,986 S	*	9/2021	Ravassa	D23/252
D935,000 S	*	11/2021	Zhen	D23/250

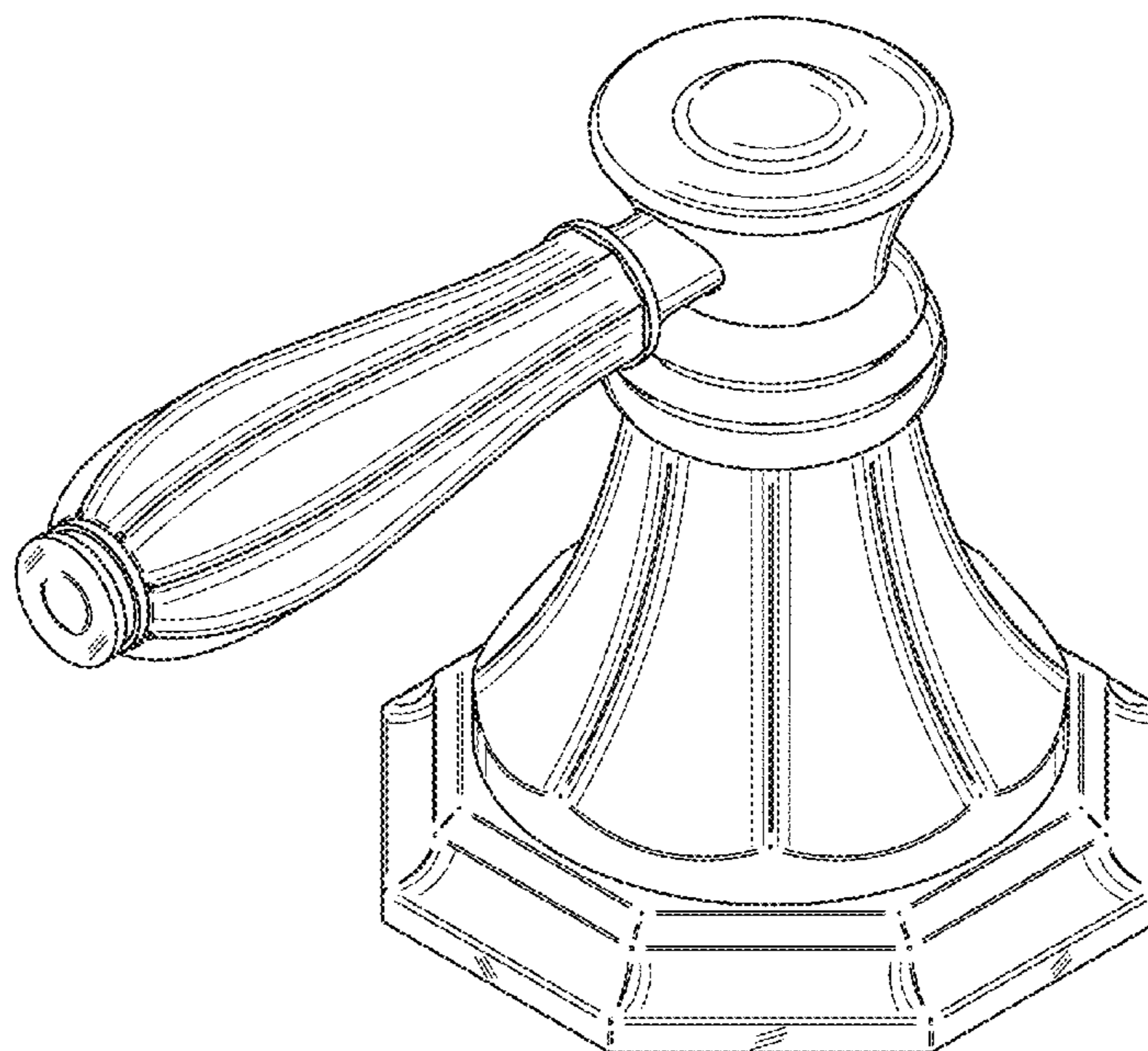
(57) **CLAIM**

The ornamental design for a faucet handle, as shown and described.

DESCRIPTION

FIG. 1 is a perspective front view of a faucet handle according to the present invention;
 FIG. 2 is a front view of the faucet handle of FIG. 1;
 FIG. 3 is a side view of the faucet handle of FIG. 1;
 FIG. 4 is a back view of the faucet handle of FIG. 1; and,
 FIG. 5 is a top view of the faucet handle of FIG. 1.
 The portion of the faucet handle shown in broken lines form no part of the claimed design.

1 Claim, 5 Drawing Sheets



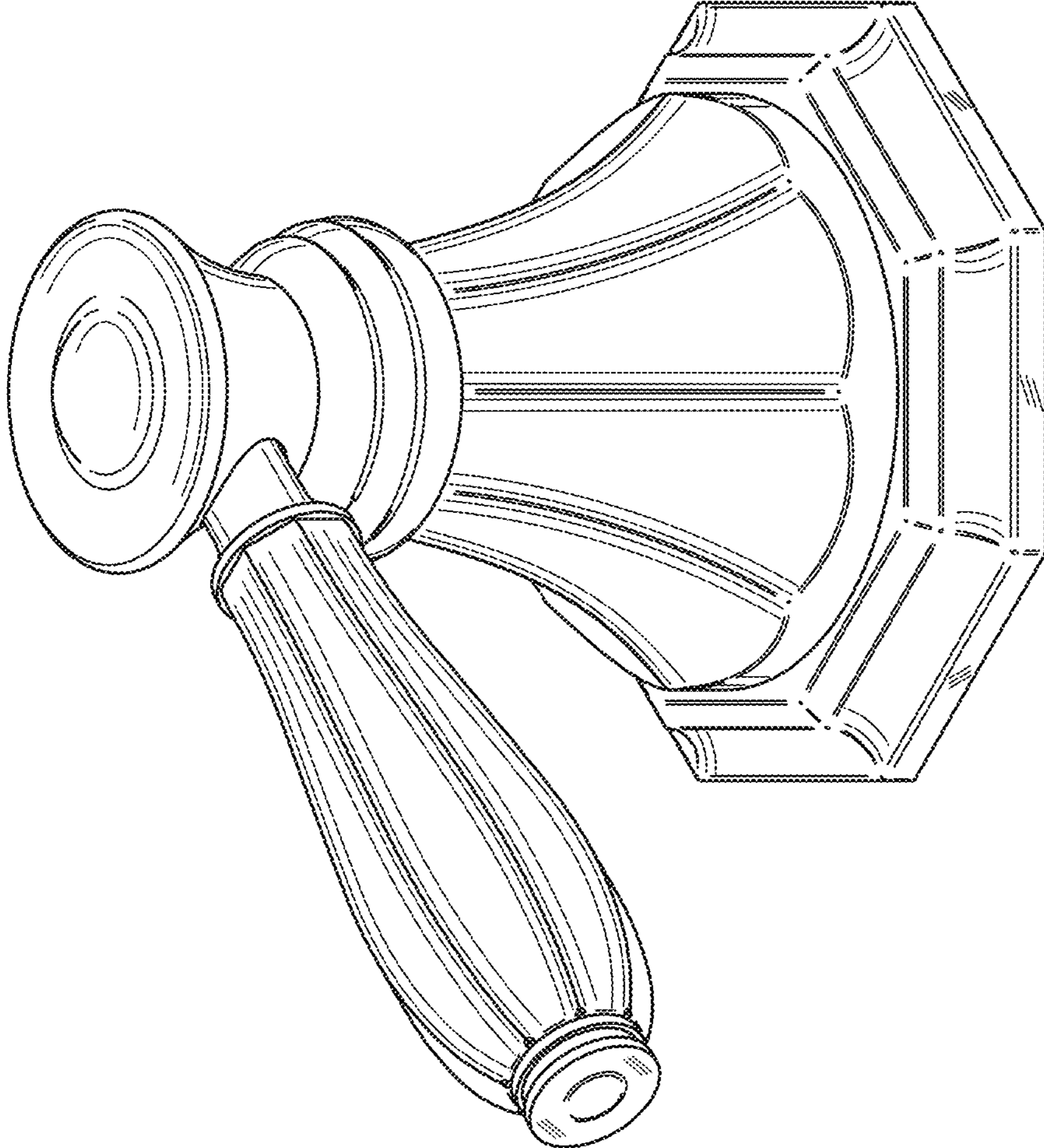


FIG. 1

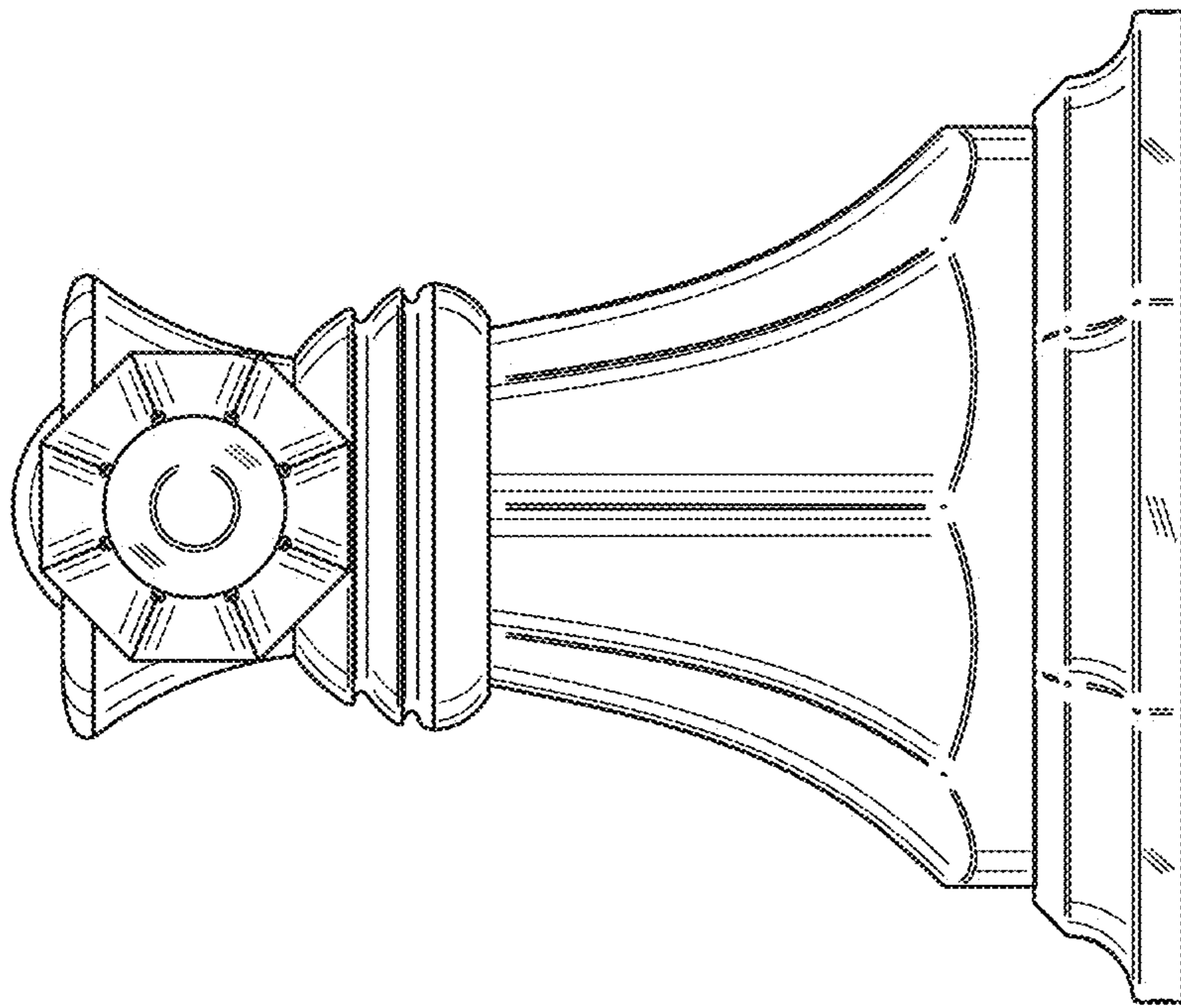


FIG. 2

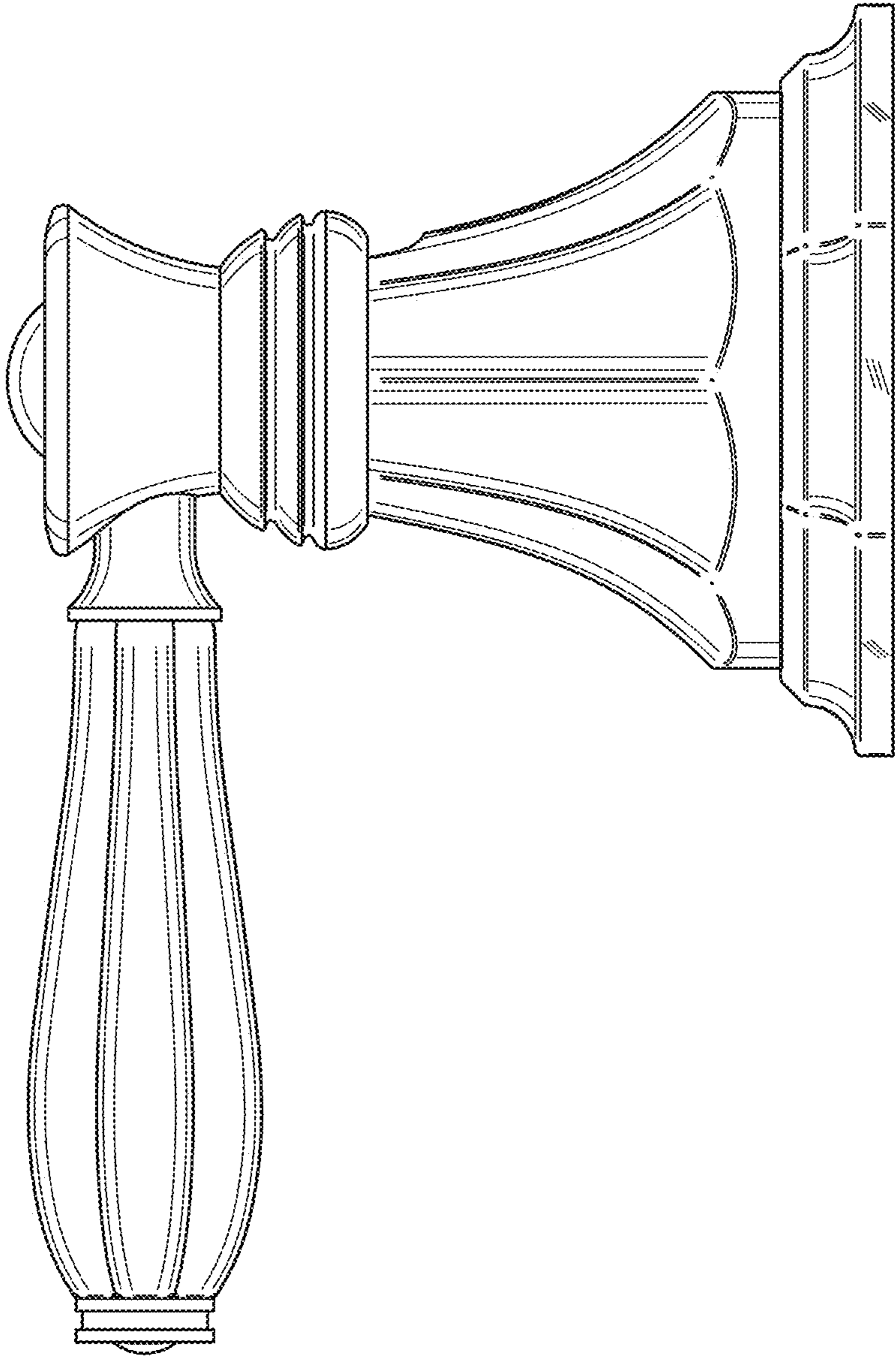


FIG. 3

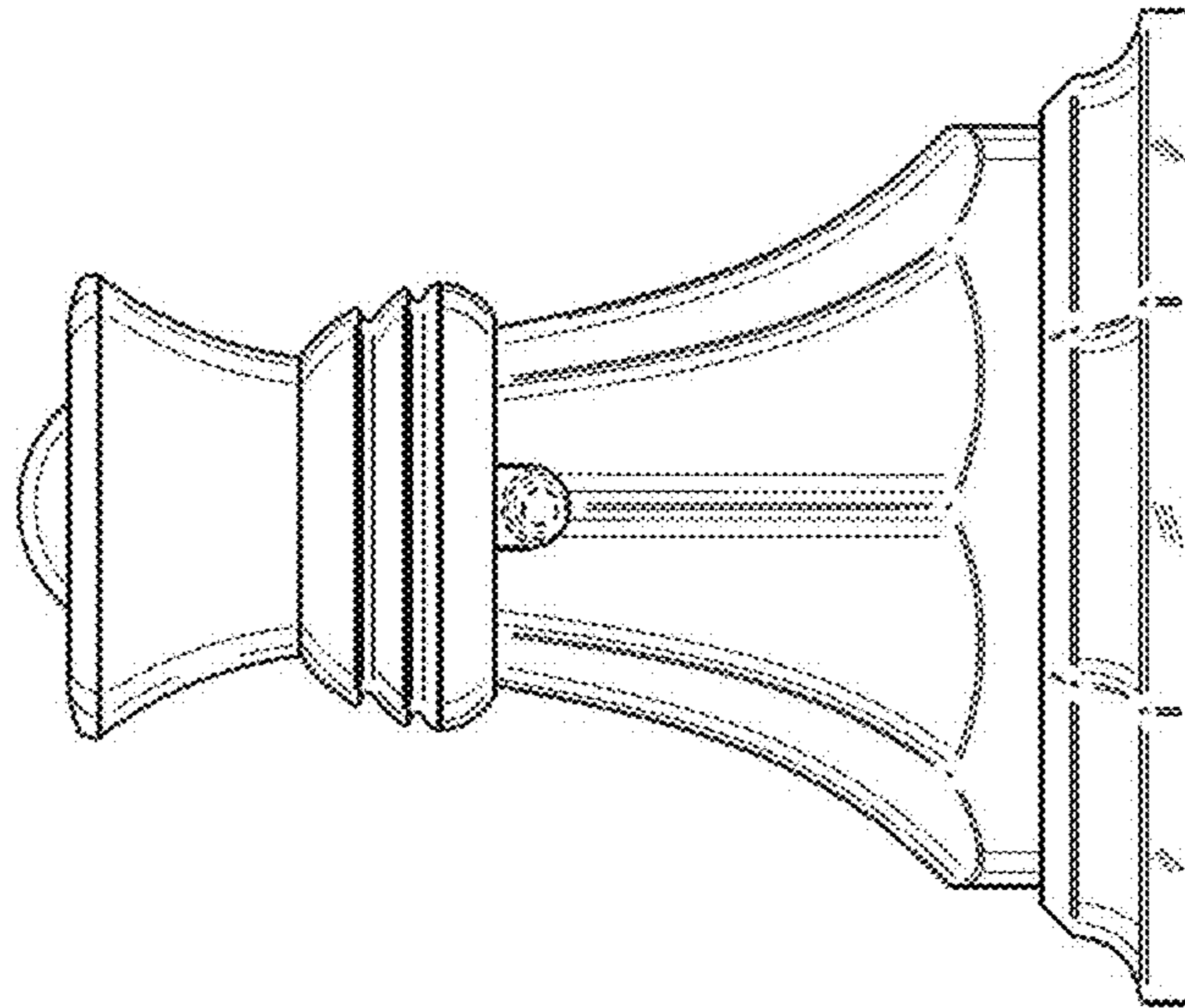


FIG. 4

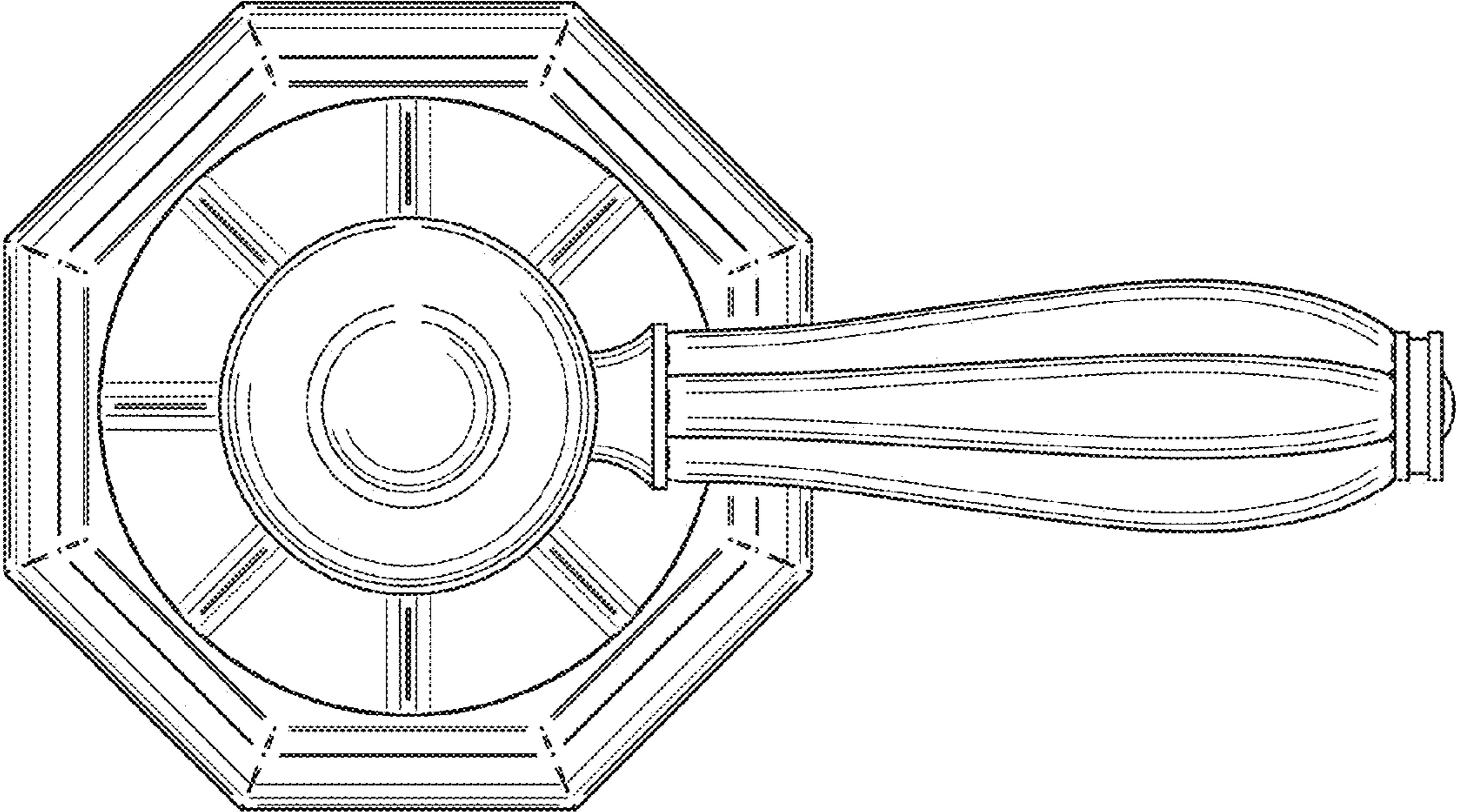


FIG. 5