



US00D979716S

(12) **United States Design Patent** (10) **Patent No.:** **US D979,716 S**  
**Tu** (45) **Date of Patent:** **\*\* Feb. 28, 2023**

(54) **EXTENSION ARM FOR SHOWER HEAD**

(71) Applicant: **Wenzhou Kebao Sanitary Ware Co., LTD**, Wenzhou (CN)

(72) Inventor: **Jiabin Tu**, Wenzhou (CN)

(73) Assignee: **Wenzhou Kebao Sanitary Ware Co., LTD**, Wenzhou (CN)

(\*\*) Term: **15 Years**

(21) Appl. No.: **29/860,808**

(22) Filed: **Nov. 22, 2022**

(51) **LOC (14) Cl.** ..... **23-01**

(52) **U.S. Cl.**  
USPC ..... **D23/243**

(58) **Field of Classification Search**  
USPC ..... D23/213, 214, 215, 223, 224, 226, 229, 230, 238, 243–245, 262–264  
CPC ..... A61H 9/0021; A61H 33/00; B05B 1/00; B05B 1/14; B05B 1/185; B05B 1/08; B05B 1/02; B05B 1/26; B05B 12/002; B05B 1/18; B05B 9/01  
See application file for complete search history.

(56) **References Cited**

**U.S. PATENT DOCUMENTS**

D347,262 S *	5/1994	Black	.....	D23/230
D398,370 S	9/1998	Purdy		
D551,324 S *	9/2007	Wilcox	.....	D23/243
D557,380 S *	12/2007	Shieh	.....	D23/238
D560,762 S *	1/2008	Eckhaus	.....	D23/249
D563,192 S *	3/2008	Barry	.....	D23/245
D665,873 S	8/2012	Wilson		
D751,667 S *	3/2016	Bahler	.....	D23/213
D835,237 S *	12/2018	Ziemann	.....	D23/238
D835,238 S *	12/2018	Ziemann	.....	D23/238
D862,652 S *	10/2019	Zeng	.....	D23/238
D917,014 S *	4/2021	Wang	.....	D23/238

D919,051 S *	5/2021	Zeng	.....	D23/238
D924,362 S *	7/2021	Zhu	.....	D23/238
D927,647 S *	8/2021	Liang	.....	D23/238
D931,416 S *	9/2021	Chen	.....	D23/238
D935,565 S *	11/2021	Liu	.....	D23/238

(Continued)

**OTHER PUBLICATIONS**

Owofan Kitchen Faucets Commercial Solid Brass Single Handle Single Lever Pull Down Sprayer, May 23, 2018, amazon.com, Sep. 21, 2022, URL: <https://www.amazon.com/dp/B07D8F5NCW/> (Year: 2018).\*

(Continued)

*Primary Examiner* — Keith J Wilson

(74) *Attorney, Agent, or Firm* — ScienBiziP, P.C.

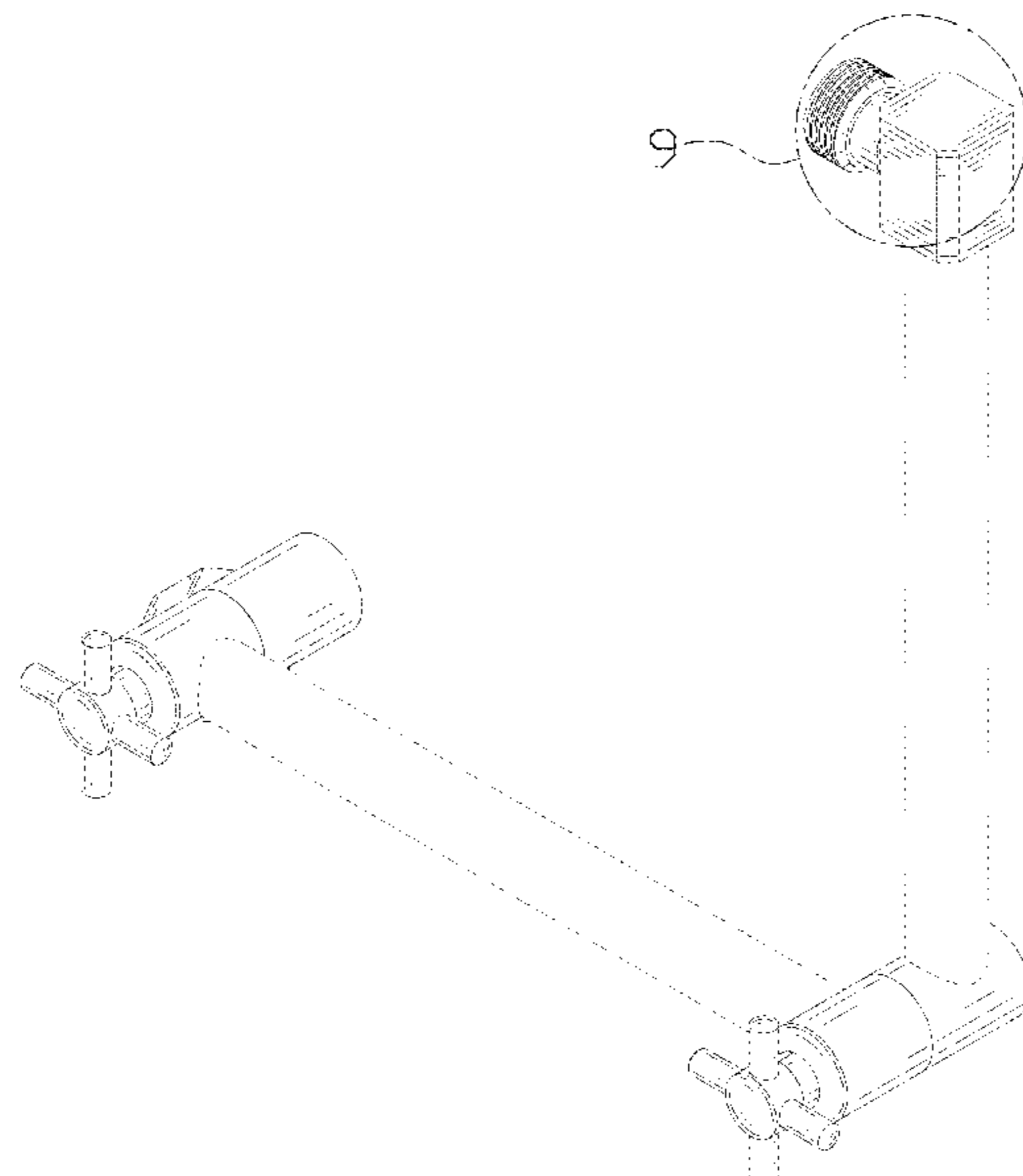
(57) **CLAIM**

The ornamental design for an extension arm for shower head, as shown and described.

**DESCRIPTION**

FIG. 1 is a front, right and top perspective view of an extension arm for shower head, showing my design. FIG. 2 is a rear, left and bottom perspective view thereof. FIG. 3 is a front elevation view thereof. FIG. 4 is a rear elevation view thereof. FIG. 5 is a left side elevation view thereof. FIG. 6 is a right side elevation view thereof. FIG. 7 is a top plan view thereof. FIG. 8 is a bottom plan view thereof. FIG. 9 is an enlarged view of detail 9 in FIG. 1. FIG. 10 is an enlarged view of detail 10 in FIG. 3; and, FIG. 11 is a front and top perspective view of the extension arm for shower head in a usable state. The broken lines depict portions of the extension arm for shower head that form no part of the claimed design. In addition, the dot-dash broken lines in FIGS. 1, 3, 9, and 10 depict the boundaries of the enlargements that form no part of the claimed design.

**1 Claim, 11 Drawing Sheets**



(56)

**References Cited**

U.S. PATENT DOCUMENTS

D946,119 S \* 3/2022 Levi ..... D23/238  
D954,196 S \* 6/2022 Downey ..... D23/238  
D964,520 S \* 9/2022 Kulig ..... D23/238  
D967,341 S \* 10/2022 Yan ..... D23/249  
D968,575 S \* 11/2022 Li ..... D23/245

OTHER PUBLICATIONS

Bathfinesse Kitchen Faucet with Pull Down Sprayer Faucet, Jun. 18, 2021, amazon.com, Sep. 21, 2022, URL: <https://www.amazon.com/dp/B094C3CH71/> (Year: 2021).\*

BWE Black Kitchen Faucet with Pull Down Sprayer 3 Function, Mar. 9, 2022, amazon.com, Sep. 21, 2022, URL: <https://www.amazon.com/dp/B09FGG4JZF/> (Year: 2022).\*

Bright Showers Brass Shower Head Extension Arm, Aug. 27, 2020, amazon.com, Dec. 6, 2022, URL: <https://www.amazon.com/dp/B08GS8D6V3/> (Year: 2020).\*

PDPBath Solid Brass Shower Arm 3 Way Shower Diverter, Aug. 3, 2022, amazon.com, Dec. 6, 2022, URL: <https://www.amazon.com/PDPBath-Diverter-Showerhead-Universal-Connection/dp/B0B8HJJ2LX/> (Year: 2022).\*

\* cited by examiner

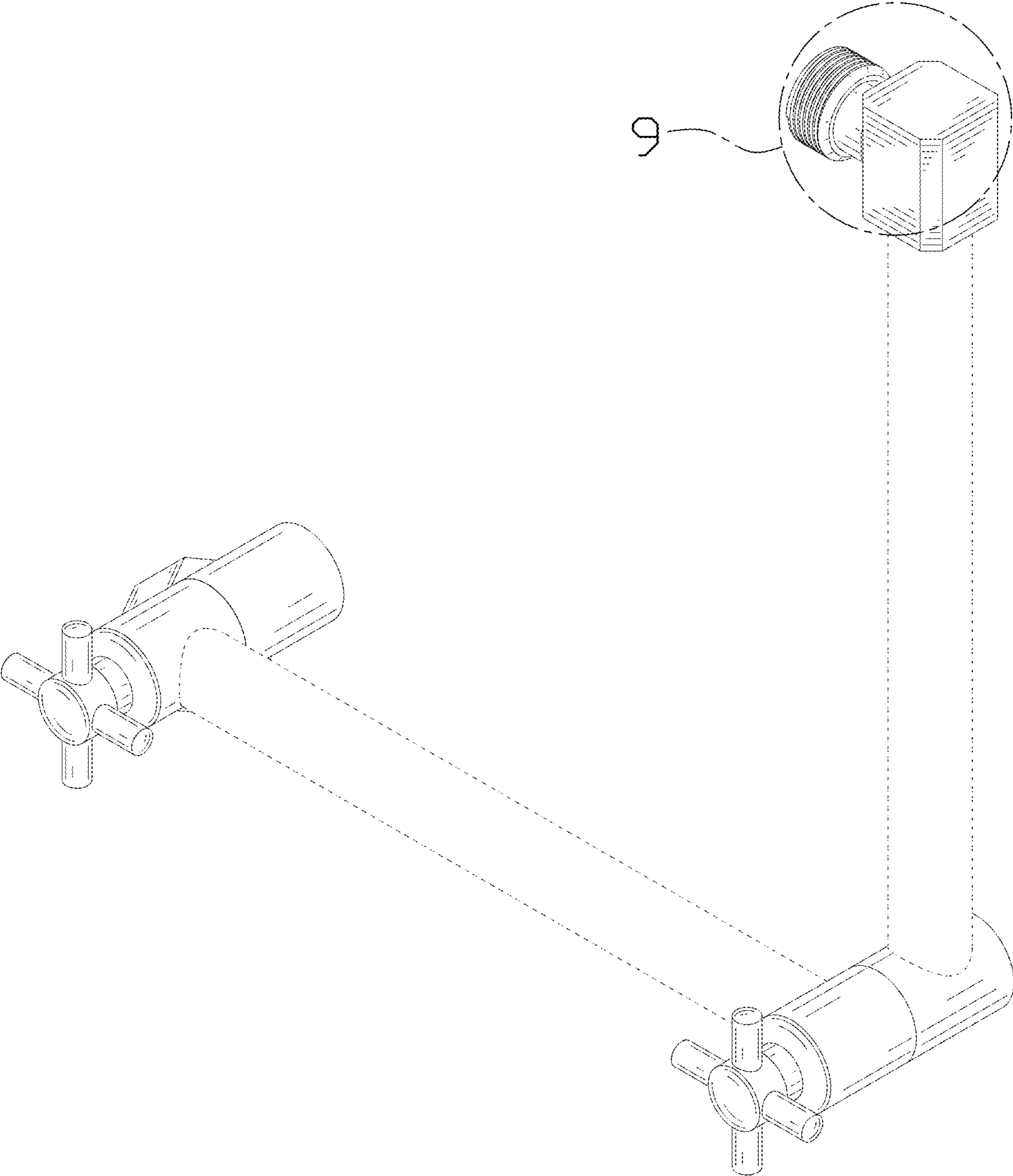


FIG. 1

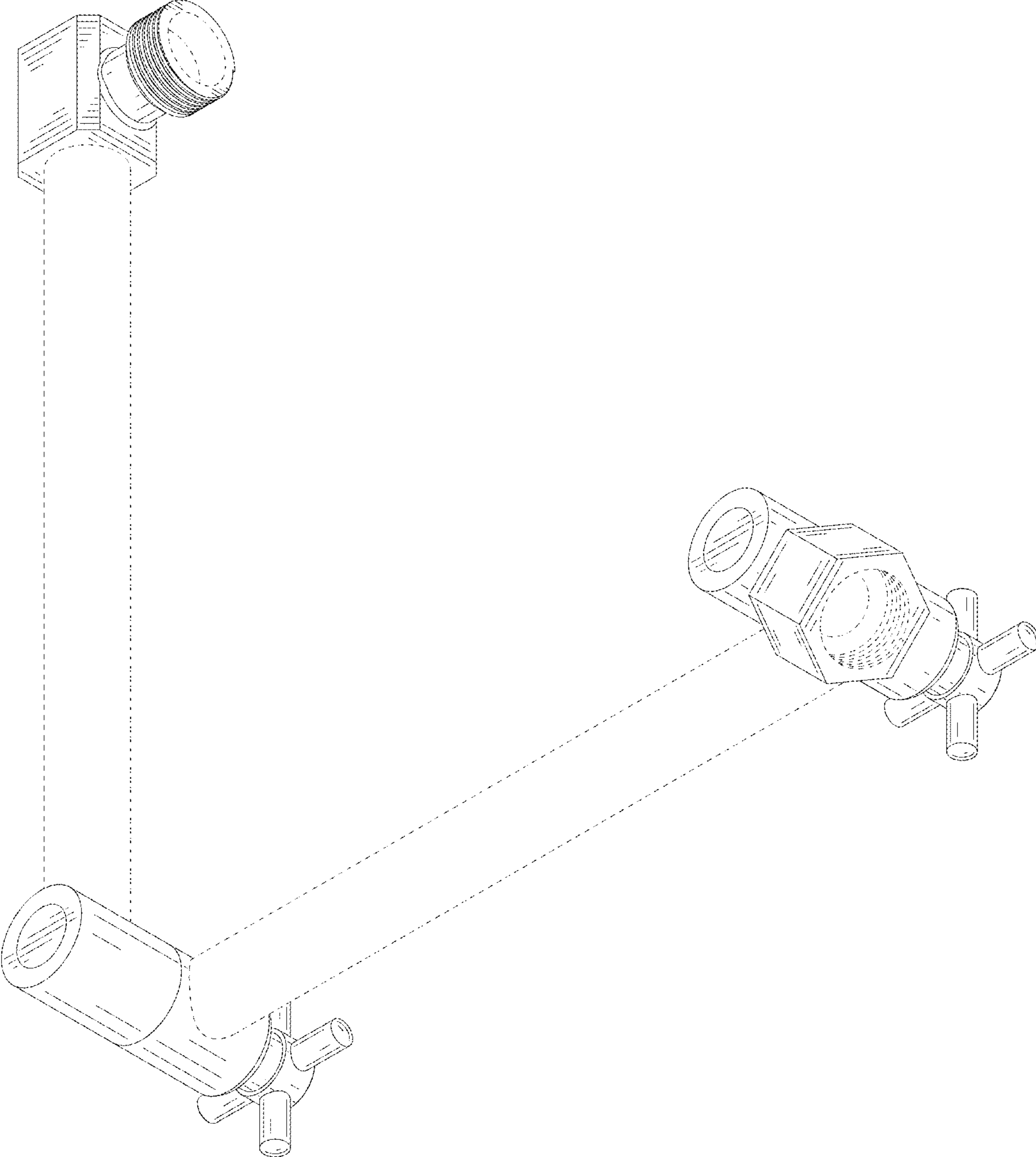


FIG. 2

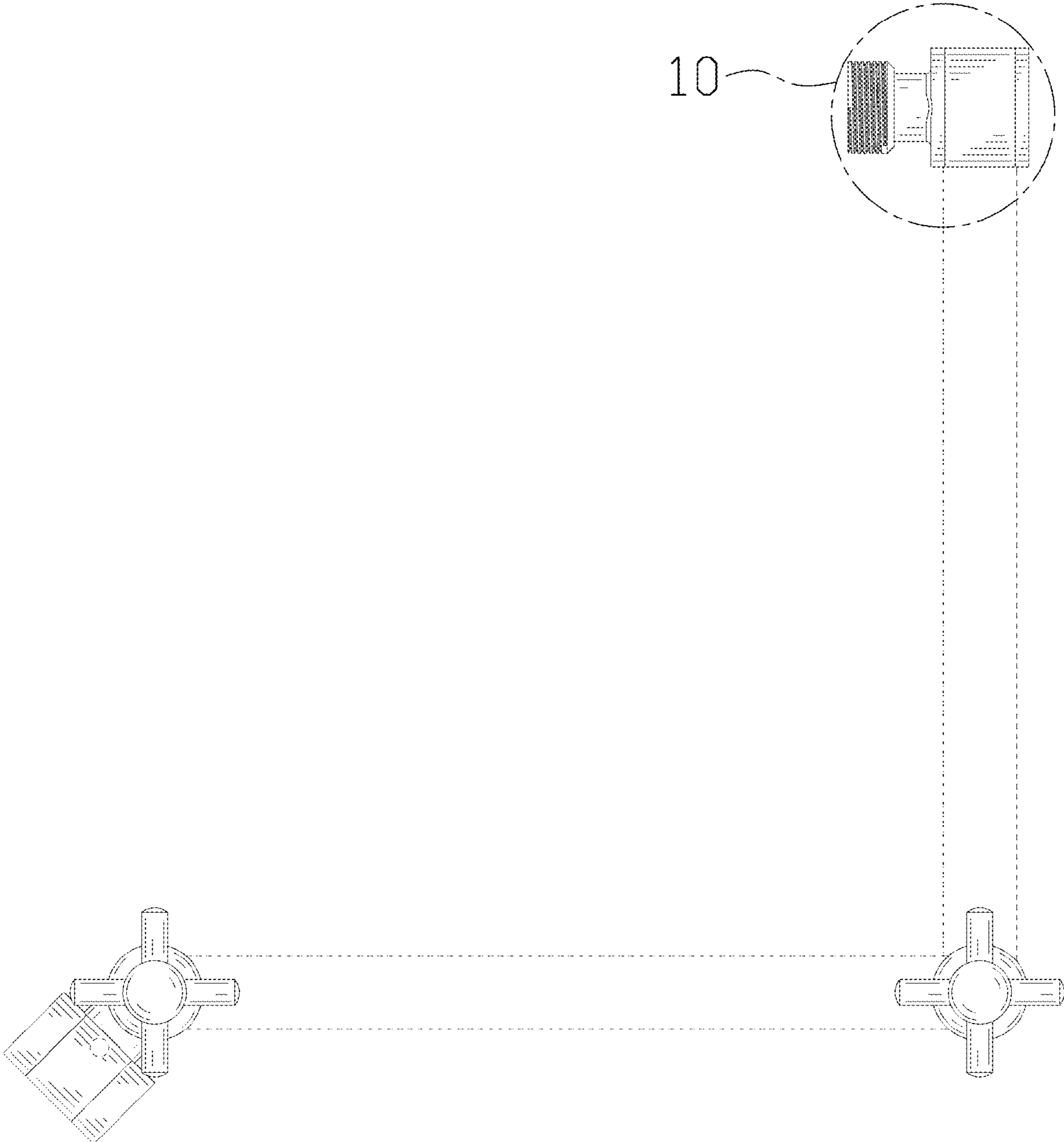


FIG. 3

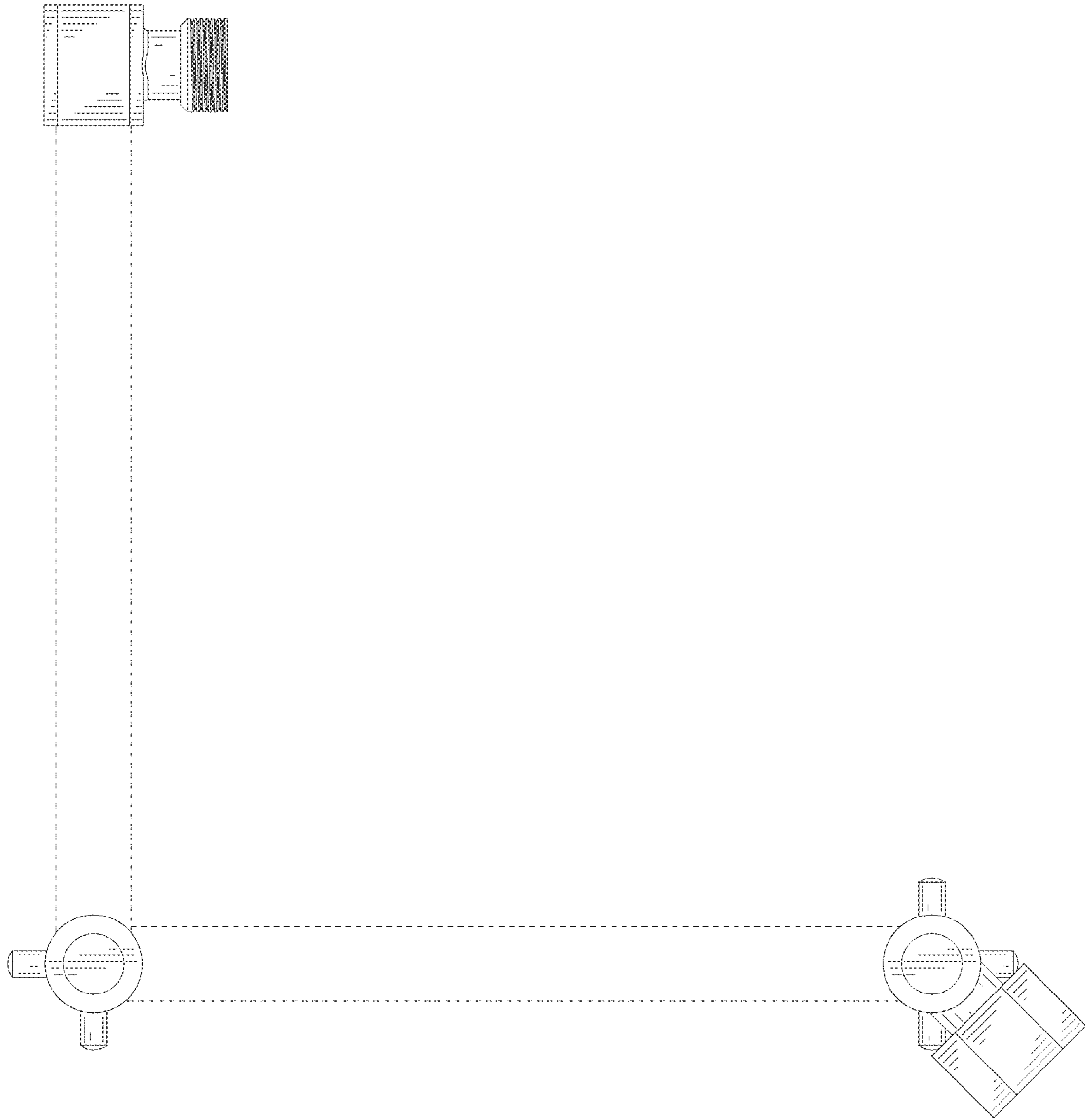


FIG. 4

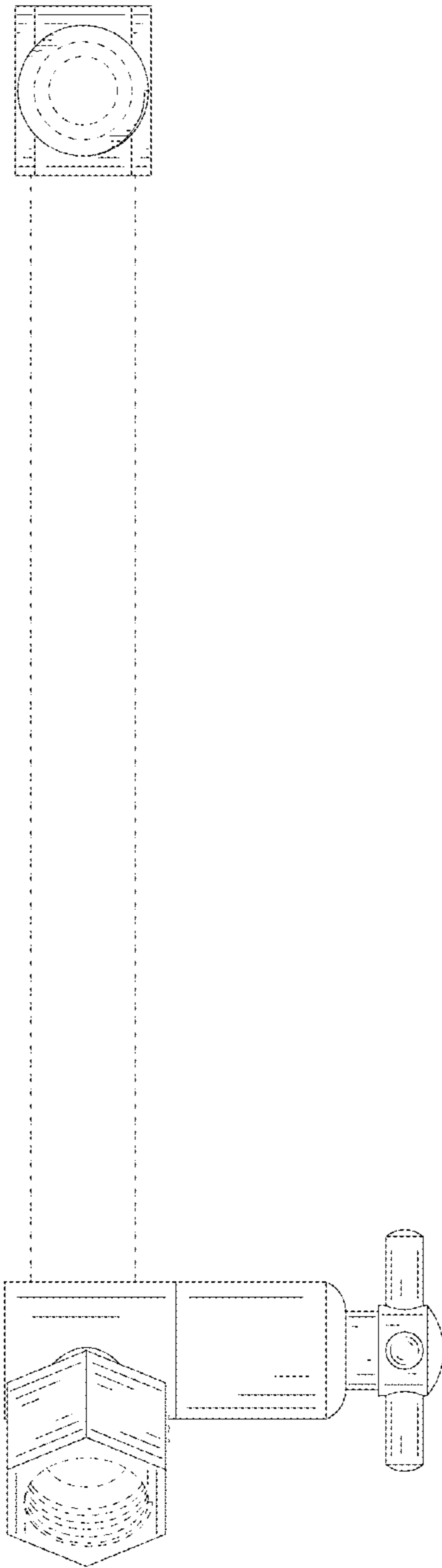


FIG. 5





FIG. 6





FIG. 7



FIG. 8

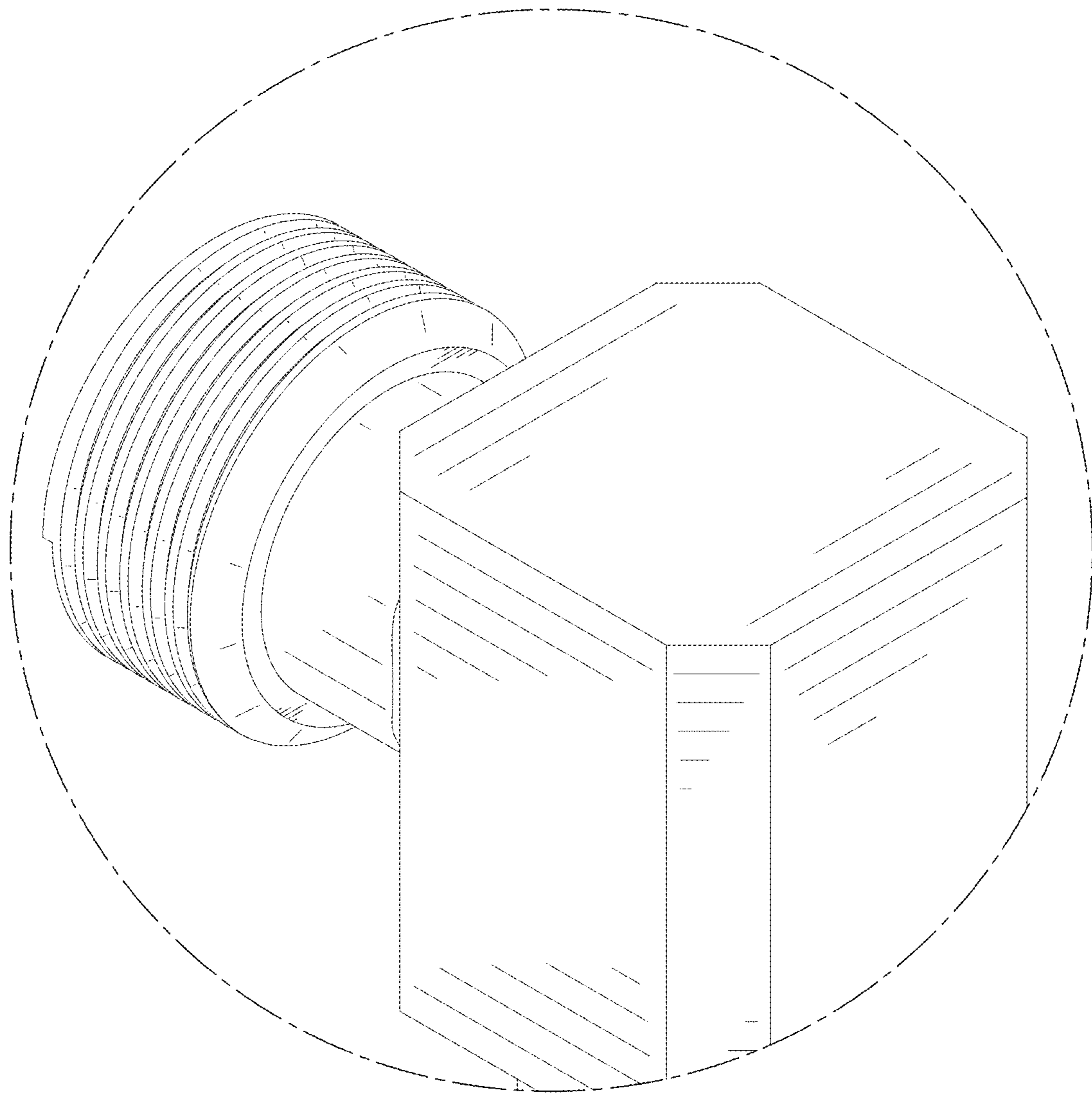


FIG. 9

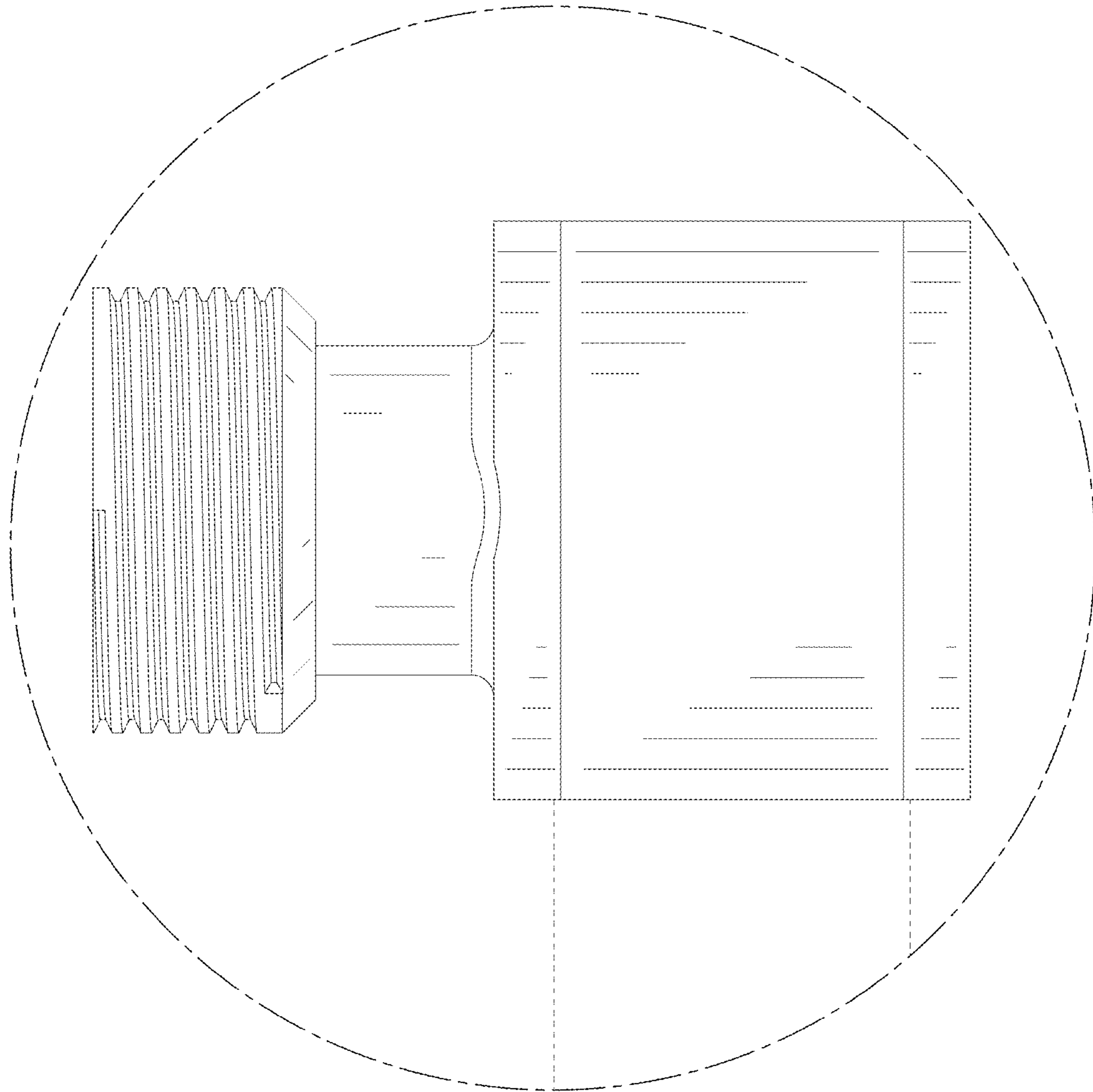


FIG. 10

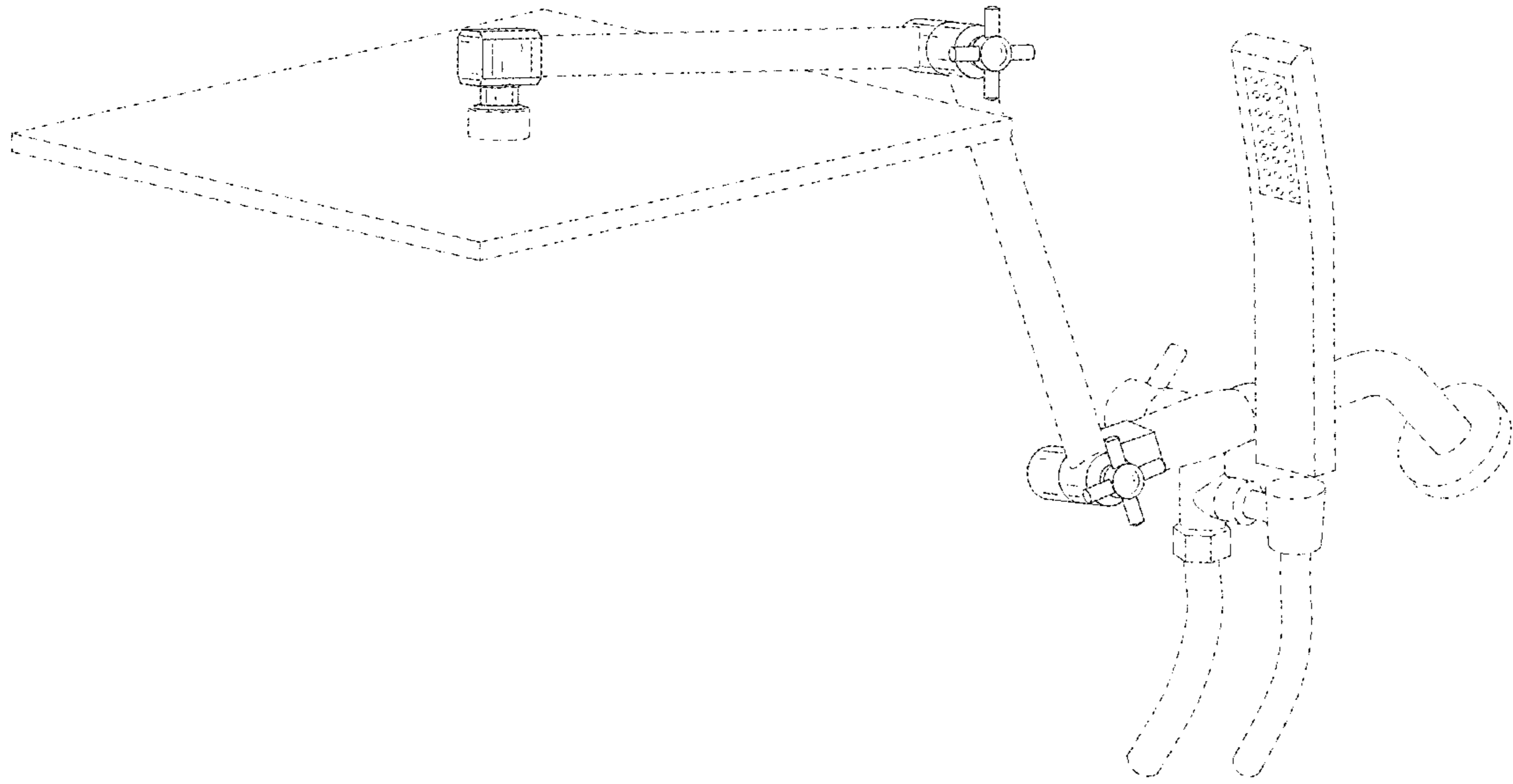


FIG. 11