



US00D979715S

(12) **United States Design Patent**
Feng

(10) **Patent No.:** **US D979,715 S**

(45) **Date of Patent:** **** Feb. 28, 2023**

(54) **FAUCET**

(71) Applicant: **Jiafu Feng**, Suzhou (CN)

(72) Inventor: **Jiafu Feng**, Suzhou (CN)

(**) Term: **15 Years**

(21) Appl. No.: **29/851,875**

(22) Filed: **Sep. 1, 2022**

(51) **LOC (14) Cl.** **23-01**

(52) **U.S. Cl.**
USPC **D23/241**

(58) **Field of Classification Search**
USPC D23/238, 241–243, 249, 250, 252, 254;
D8/307–308

See application file for complete search history.

(56) **References Cited**

U.S. PATENT DOCUMENTS

6,341,617 B1 *	1/2002	Wilson	E03C 1/04 137/359
D540,918 S *	4/2007	Haug	D23/242
D589,595 S *	3/2009	Eilmus	D23/238
D685,880 S *	7/2013	Fritz	D23/242
D811,527 S	2/2018	Fritz		

D835,239 S *	12/2018	Ziemann	D23/242
D852,933 S *	7/2019	Garland	D23/249
D930,118 S	9/2021	Elser		

* cited by examiner

Primary Examiner — Robert A Delehanty

(74) *Attorney, Agent, or Firm* — Daniel M. Cohn;
Howard M. Cohn

(57) **CLAIM**

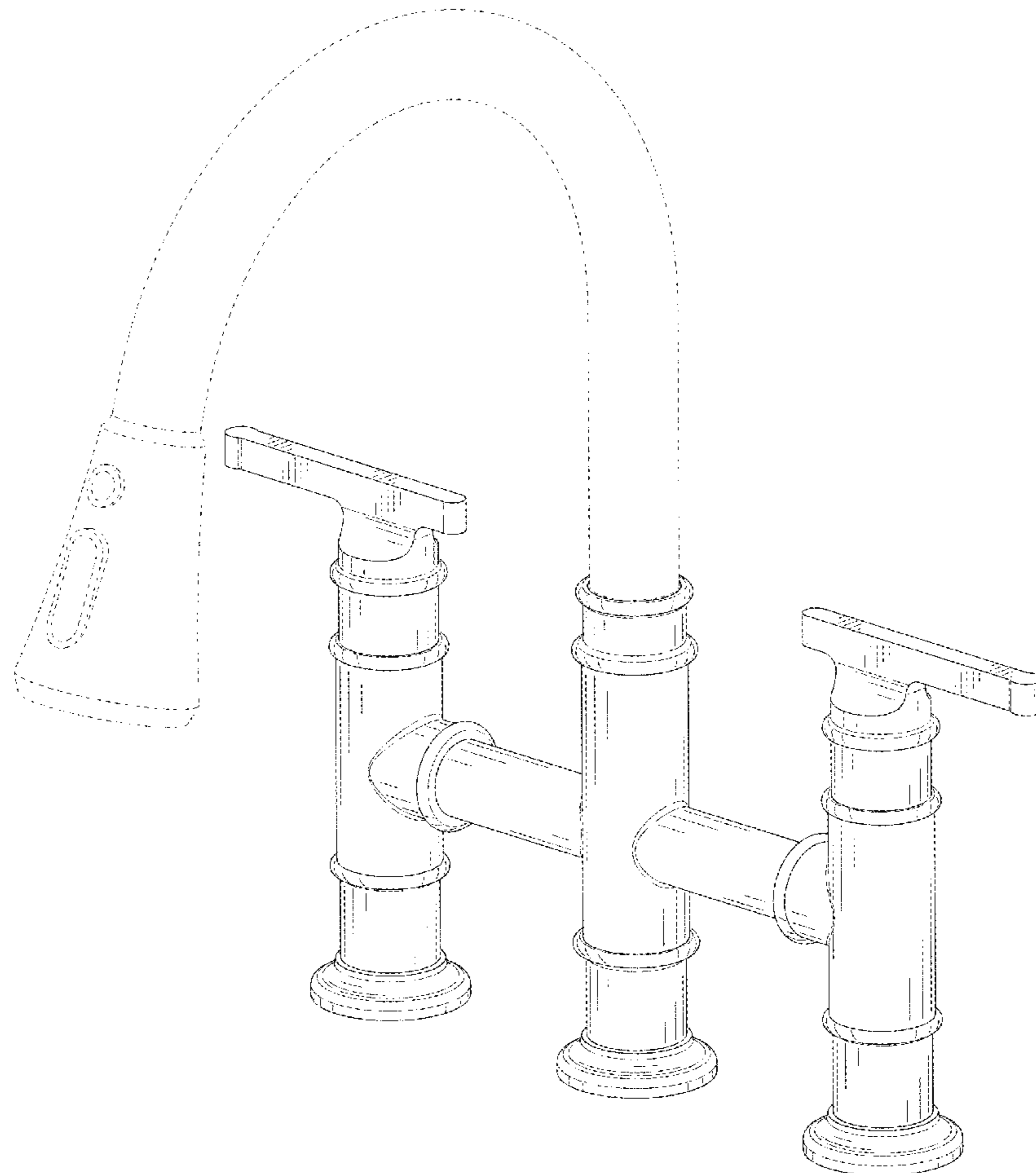
The ornamental design for a faucet, as shown and described.

DESCRIPTION

FIG. 1 is a perspective view of a faucet showing my new design;
 FIG. 2 is another perspective view thereof;
 FIG. 3 is a front elevational view thereof;
 FIG. 4 is a rear elevational view thereof;
 FIG. 5 is a left side elevational view thereof;
 FIG. 6 is a right side elevational view thereof;
 FIG. 7 is a top plan view thereof; and,
 FIG. 8 is a bottom plan view thereof.

The broken lines in the drawings depict portions of the faucet that form no part of the claimed design.

1 Claim, 8 Drawing Sheets



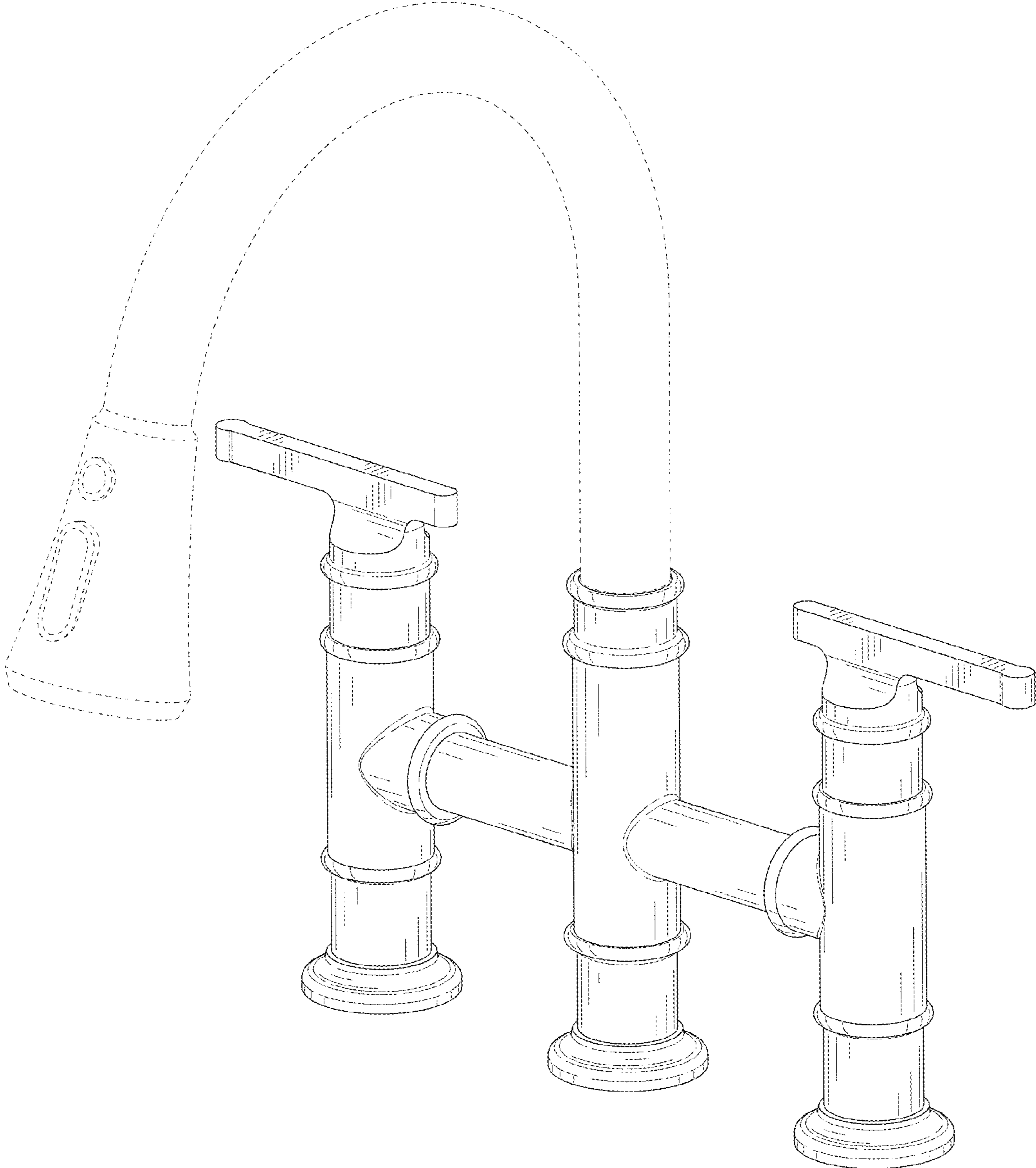


FIG. 1

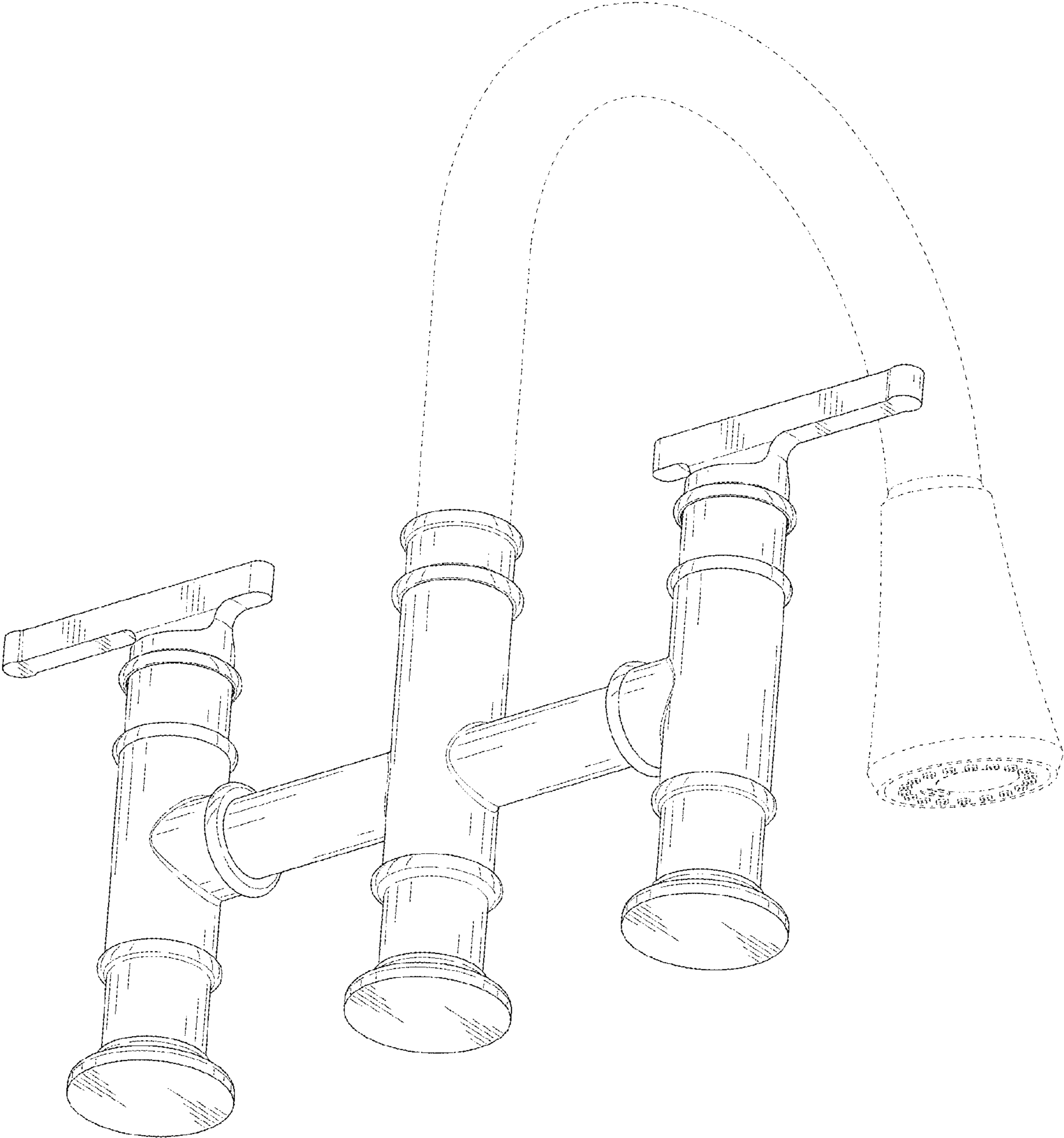


FIG. 2

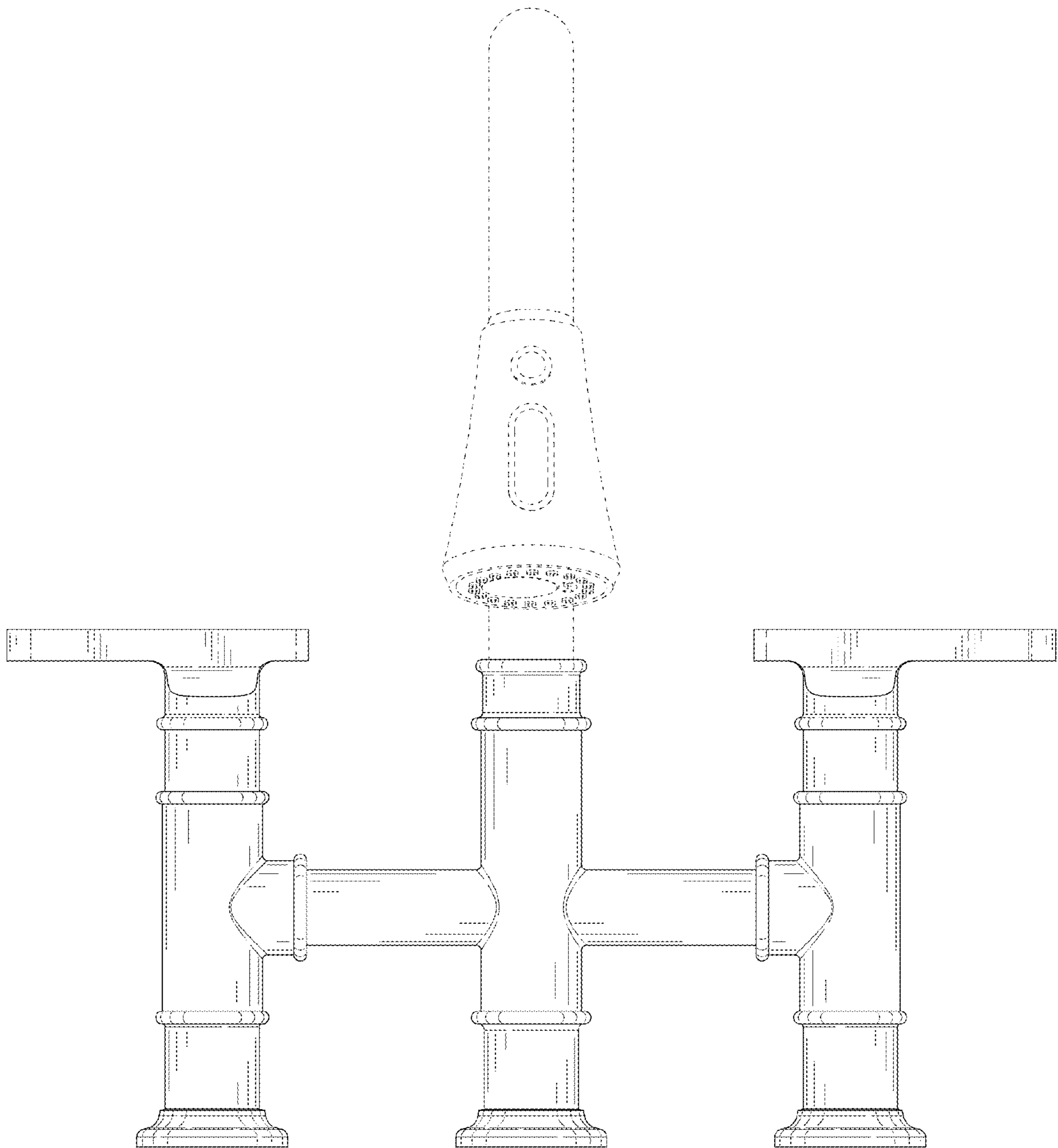


FIG. 3

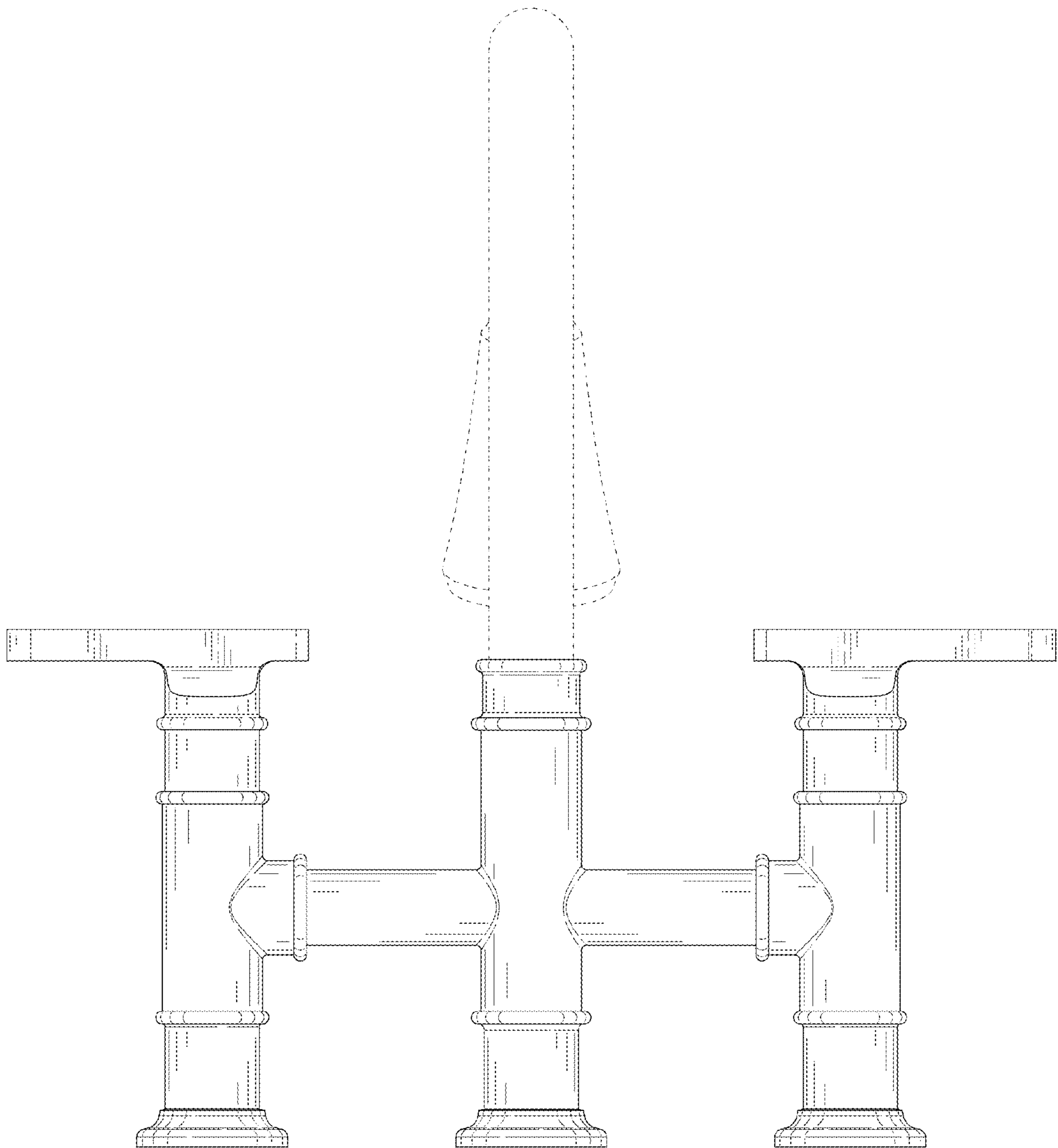


FIG. 4

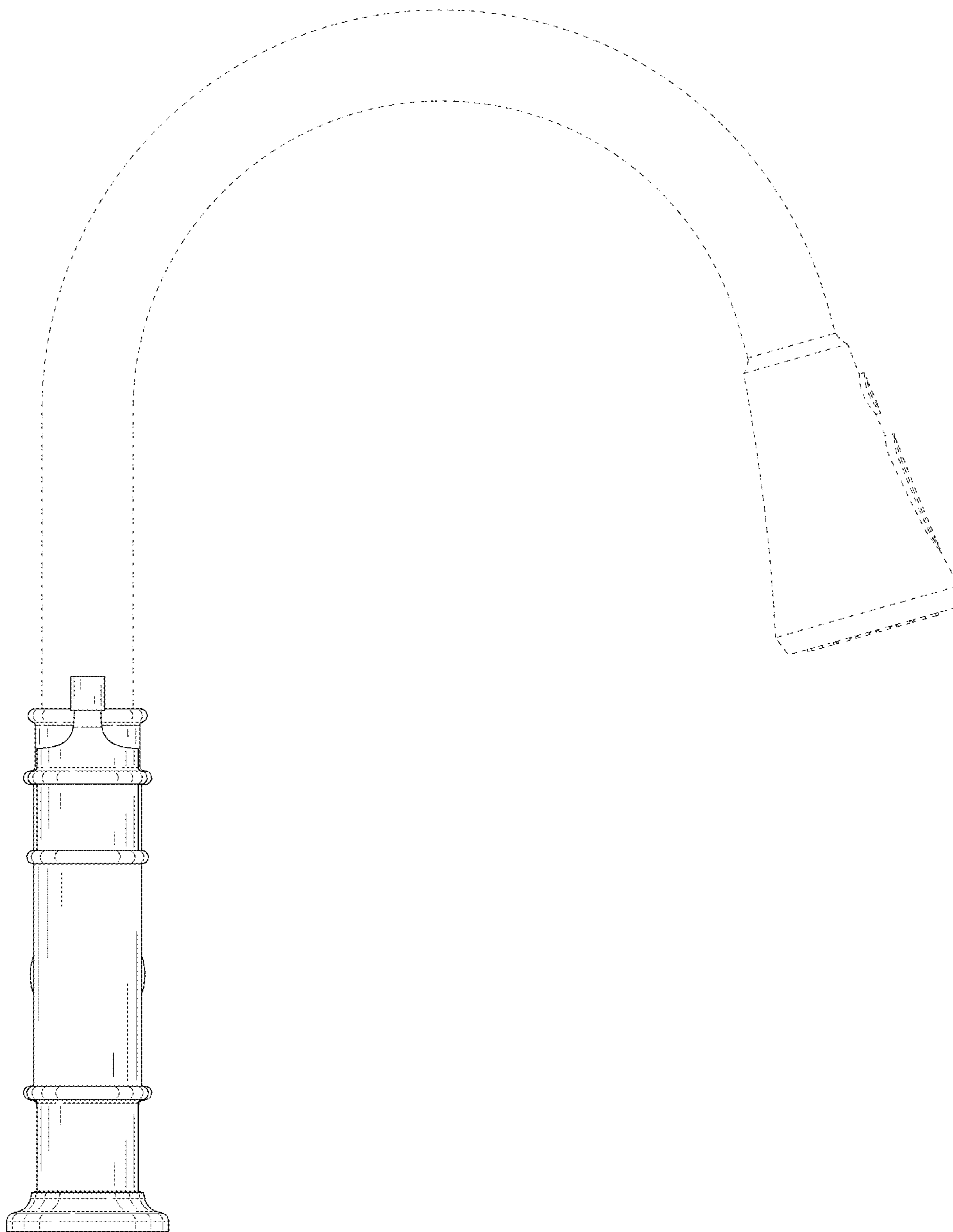


FIG. 5

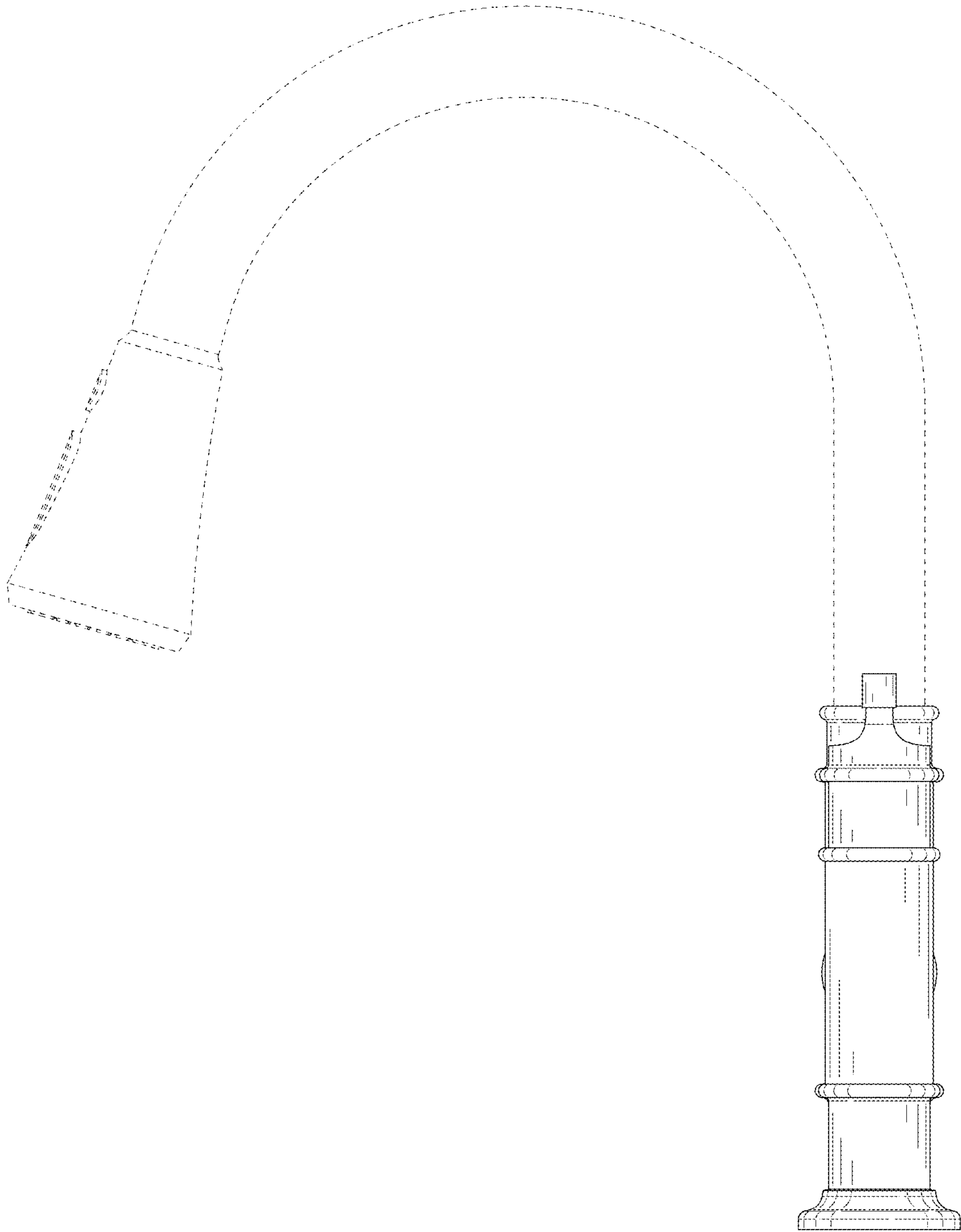


FIG. 6

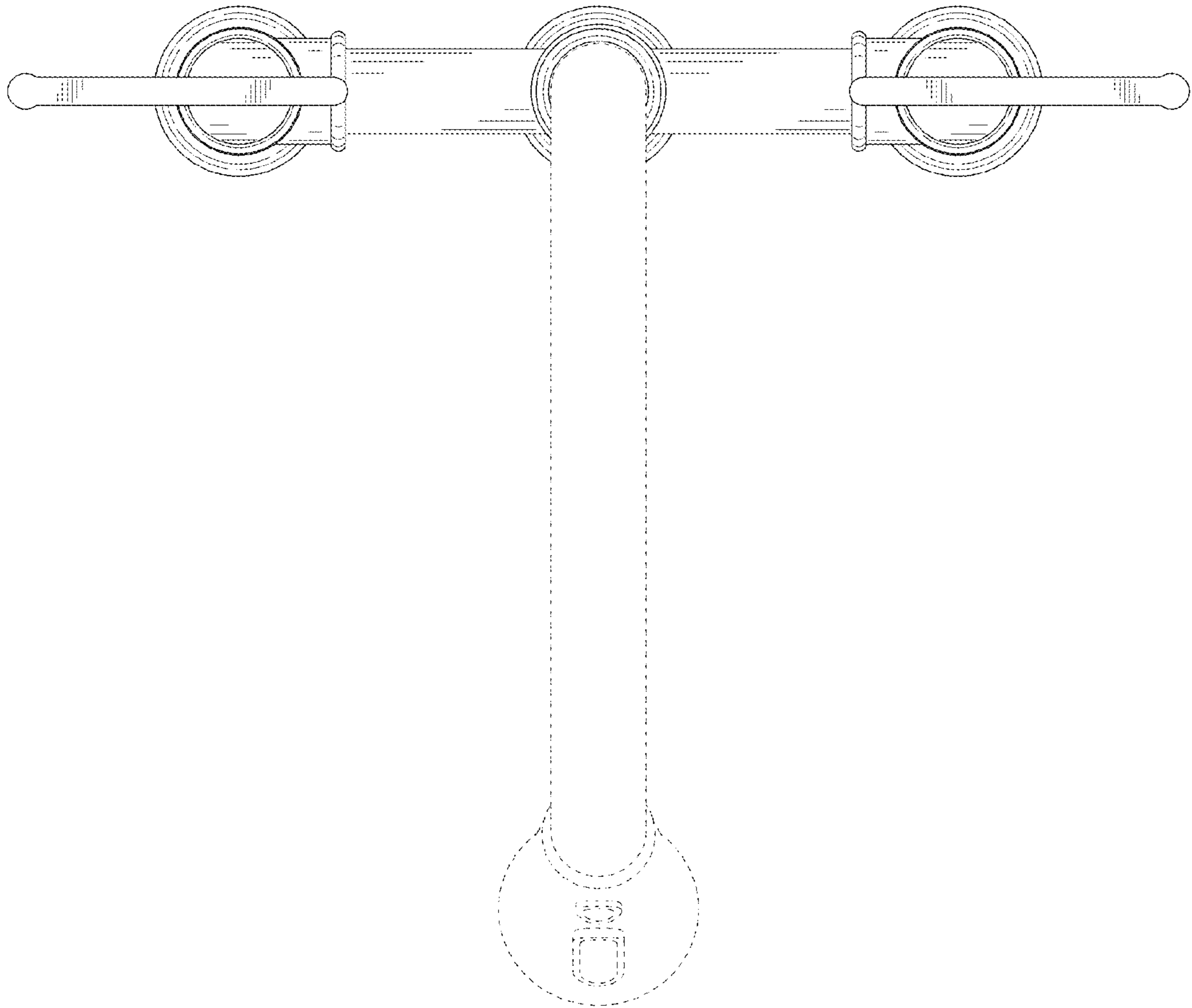


FIG. 7

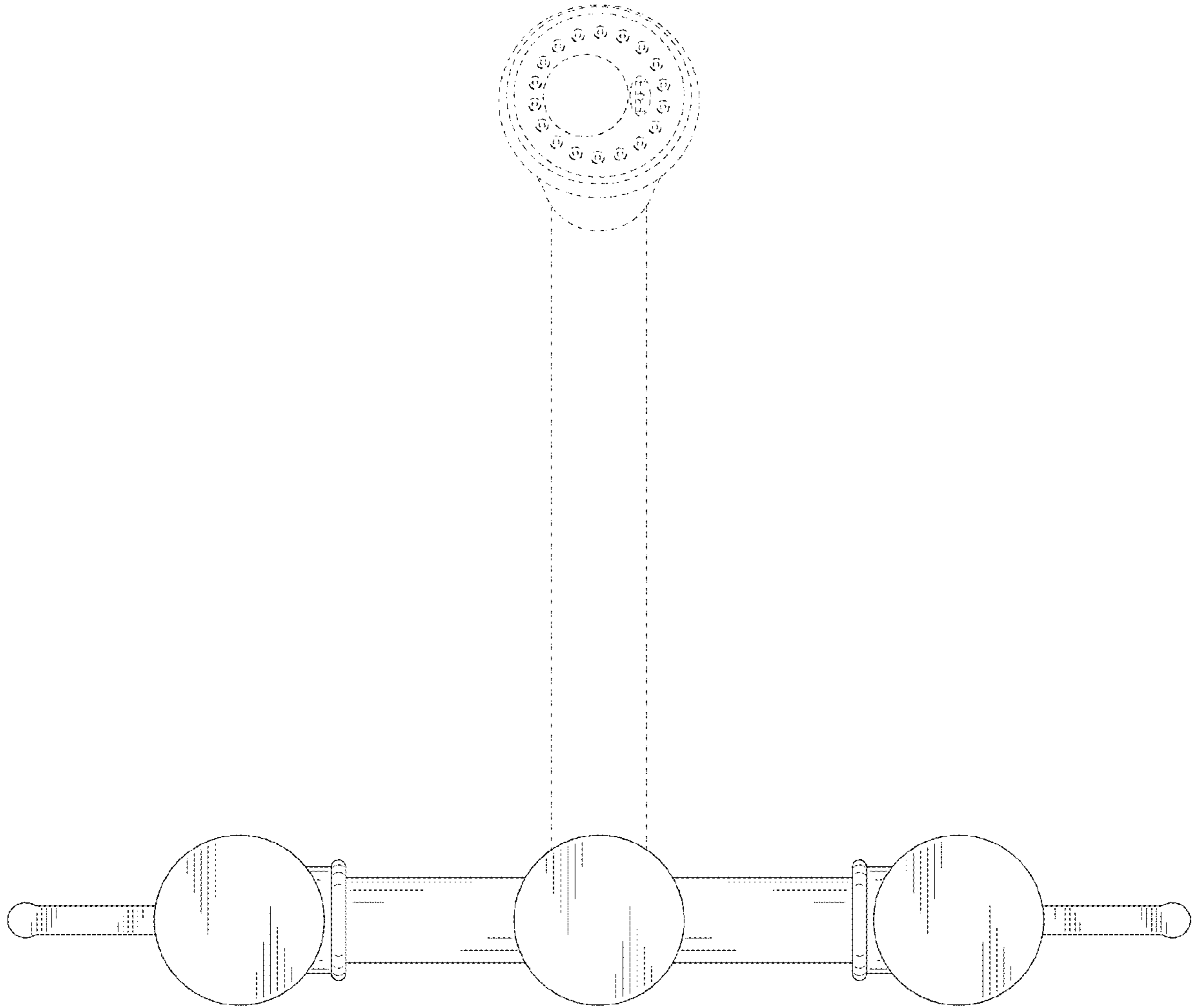


FIG. 8