



US00D979712S

(12) **United States Design Patent**
Garcia

(10) **Patent No.:** **US D979,712 S**

(45) **Date of Patent:** **** Feb. 28, 2023**

(54) **VALVE FLUSH TOOL**

(71) Applicant: **John Garcia**, Murray, UT (US)

(72) Inventor: **John Garcia**, Murray, UT (US)

(**) Term: **15 Years**

(21) Appl. No.: **29/775,674**

(22) Filed: **Mar. 24, 2021**

(51) **LOC (14) Cl.** **23-01**

(52) **U.S. Cl.**

USPC **D23/233**

(58) **Field of Classification Search**

USPC D23/321, 421, 209, 213–235, 259, 262;
D8/2; D15/28

CPC F15B 2211/7053; F15B 2211/20576; F15B
2211/20546; F15B 13/0402; F15B
2211/30525; F15B 2211/40515; F15B
2211/30505; F15B 2211/6355; F15B
2211/428; F15B 2211/50536; F15B
13/0417; F15B 15/149; F15B 3/00; F15B
2211/528; F15B 13/02; F15B 2211/3058;
F15B 13/042; F15B 21/00

See application file for complete search history.

(56) **References Cited**

U.S. PATENT DOCUMENTS

D351,216 S *	10/1994	Millett	D23/233
D371,188 S *	6/1996	Ziegenbein	D23/233
D449,872 S *	10/2001	Lohde	D23/233
D628,274 S *	11/2010	Wessol	D23/233
D636,059 S *	4/2011	Shorey	D23/233
D692,983 S *	11/2013	Nissen	D23/233
D697,587 S *	1/2014	Nissen	D23/233
D699,815 S *	2/2014	Petersen	D23/233
D711,508 S *	8/2014	Yumoto	D23/233
D720,831 S *	1/2015	O'Banion	D23/233
D720,833 S *	1/2015	Whitton	D23/233
D725,747 S *	3/2015	Alexander	D23/233
D728,745 S *	5/2015	Duncan	D23/233
D732,641 S *	6/2015	Hermann	D23/233

D739,919 S *	9/2015	Alexander	F16K 31/002 D23/233
D748,759 S *	2/2016	Lo Cicero	D23/233
D753,795 S *	4/2016	Rahms	D23/233
D758,541 S *	6/2016	Keller	D23/233

(Continued)

FOREIGN PATENT DOCUMENTS

CN 202130492303.0 * 11/2021

OTHER PUBLICATIONS

Bonnet—All VOM valves, copyright date 2022 [online] [site visited Oct. 4, 2022] https://www.dripworks.com/bonnet-all-vom-valves?sku=VOMBON&gclid=EAIaIQobChMluYKDt-m8-QIV8_iBx1aEAF5EAQYBiABEgKk8PD_BwE (Year: 2022).*

(Continued)

Primary Examiner — Amy C Wierenga

Assistant Examiner — Andrea Marie McKay

(74) *Attorney, Agent, or Firm* — Sam IP Legal Solutions, P.C.; Ryan D. Sam

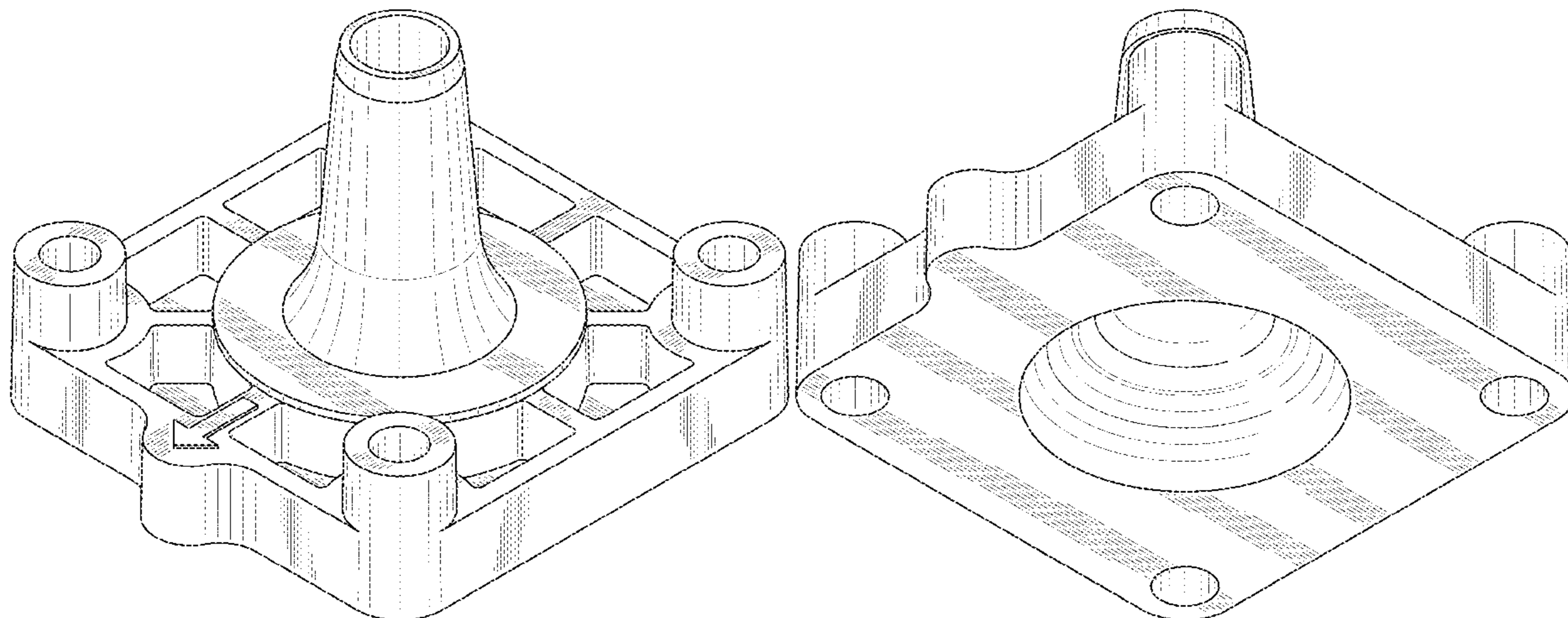
(57) **CLAIM**

The ornamental design for a valve flush tool, as shown and described.

DESCRIPTION

FIG. 1 is a top perspective view of a valve flush tool embodying my new design;
FIG. 2 is a bottom perspective view thereof;
FIG. 3 is a top plan view thereof;
FIG. 4 is a bottom plan view thereof;
FIG. 5 is a front elevational view thereof;
FIG. 6 is a rear elevational view thereof;
FIG. 7 is a right-side elevational view thereof, the left-side elevational view being a mirror image; and,
FIG. 8 is a sectional view taken along the line 8-8 from FIG. 3.

1 Claim, 6 Drawing Sheets



(56)

References Cited

U.S. PATENT DOCUMENTS

D760,871 S * 7/2016 Boyer D23/233
D768,822 S * 10/2016 Harck D23/233
D770,018 S * 10/2016 Musolf D23/233
D770,595 S * 11/2016 Suzuki D23/233
D774,984 S * 12/2016 Panichgasem D23/233
D800,870 S * 10/2017 Daniels D23/233
D812,190 S * 3/2018 Harck D23/233
D820,393 S * 6/2018 Tickle D23/233
D834,145 S * 11/2018 McNamara F16K 31/002
D23/233
D835,241 S * 12/2018 Dietzen D23/233
D864,354 S * 10/2019 Asada D23/233
D876,586 S * 2/2020 Asada D23/233
D886,236 S * 6/2020 Pfund D23/233
D894,340 S * 8/2020 Roden D23/233
D908,191 S * 1/2021 Li D23/233

D910,719 S * 2/2021 Cooper D15/7
10,907,638 B2 * 2/2021 Wilds F04D 29/708
D912,205 S * 3/2021 Cordua D23/233
D917,013 S * 4/2021 Pfund D23/233
D917,667 S * 4/2021 Chien D23/233
D917,668 S * 4/2021 Xie D23/233
D919,048 S * 5/2021 Li D23/233
D919,049 S * 5/2021 Li D23/233
D954,178 S * 6/2022 Mikesch D23/233
D958,937 S * 7/2022 Pfund F04D 29/708
D23/233

OTHER PUBLICATIONS

Water Pump AIRTEX 1963, website date 2022 [online] [site visited Oct. 4, 2022] <https://www.trodo.com/water-pump-airtex-1963> (Year: 2022).*

* cited by examiner

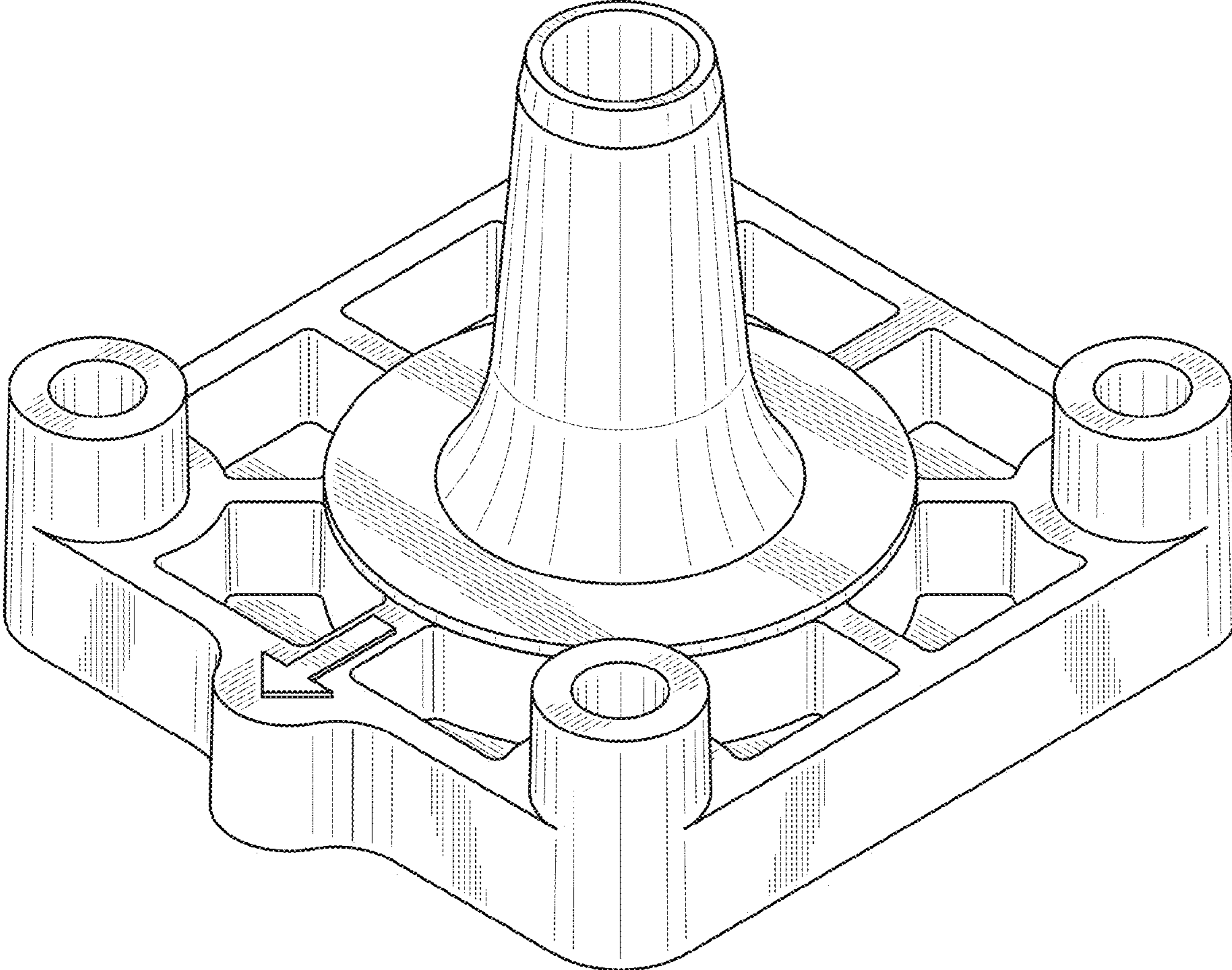


FIG. 1

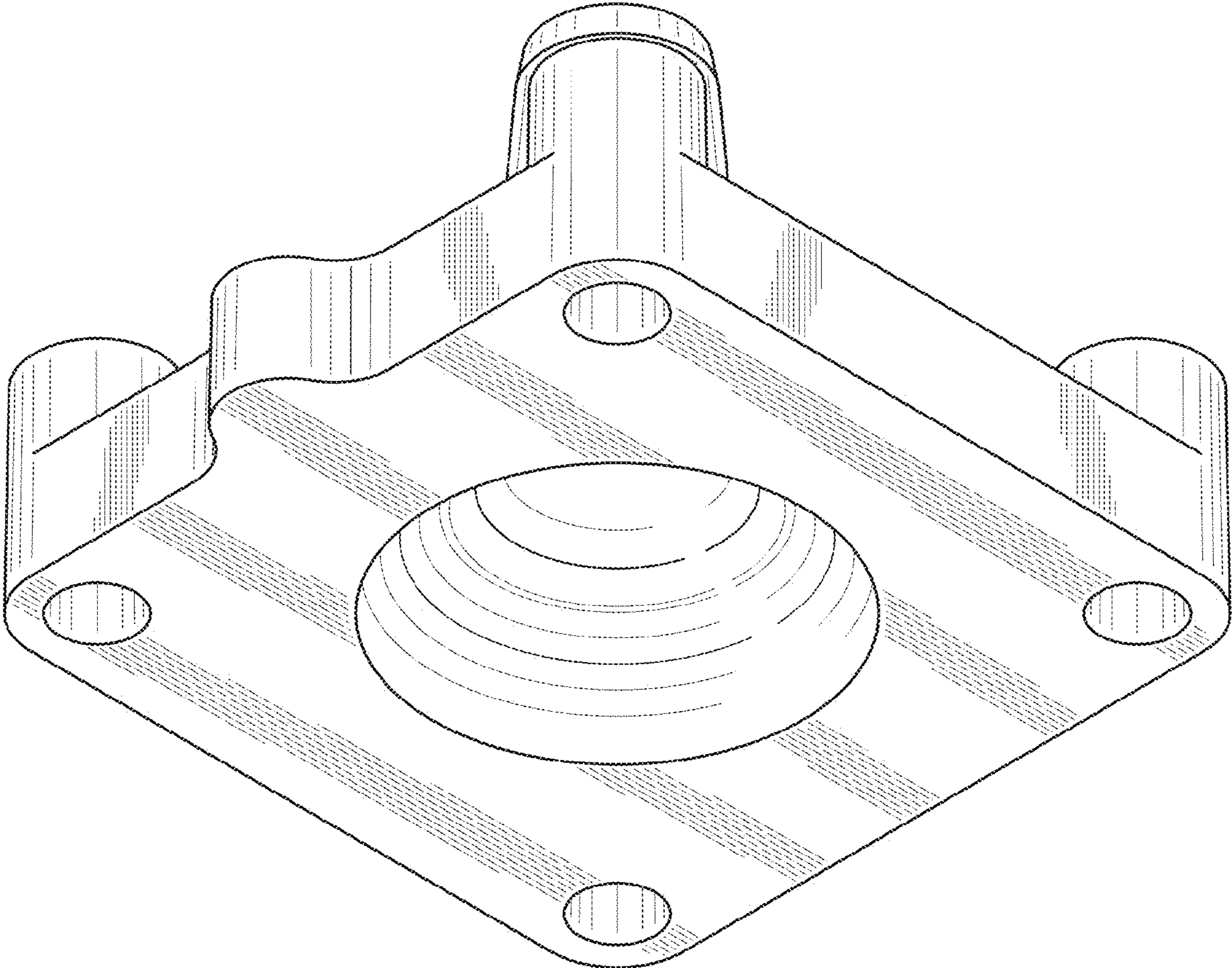


FIG. 2

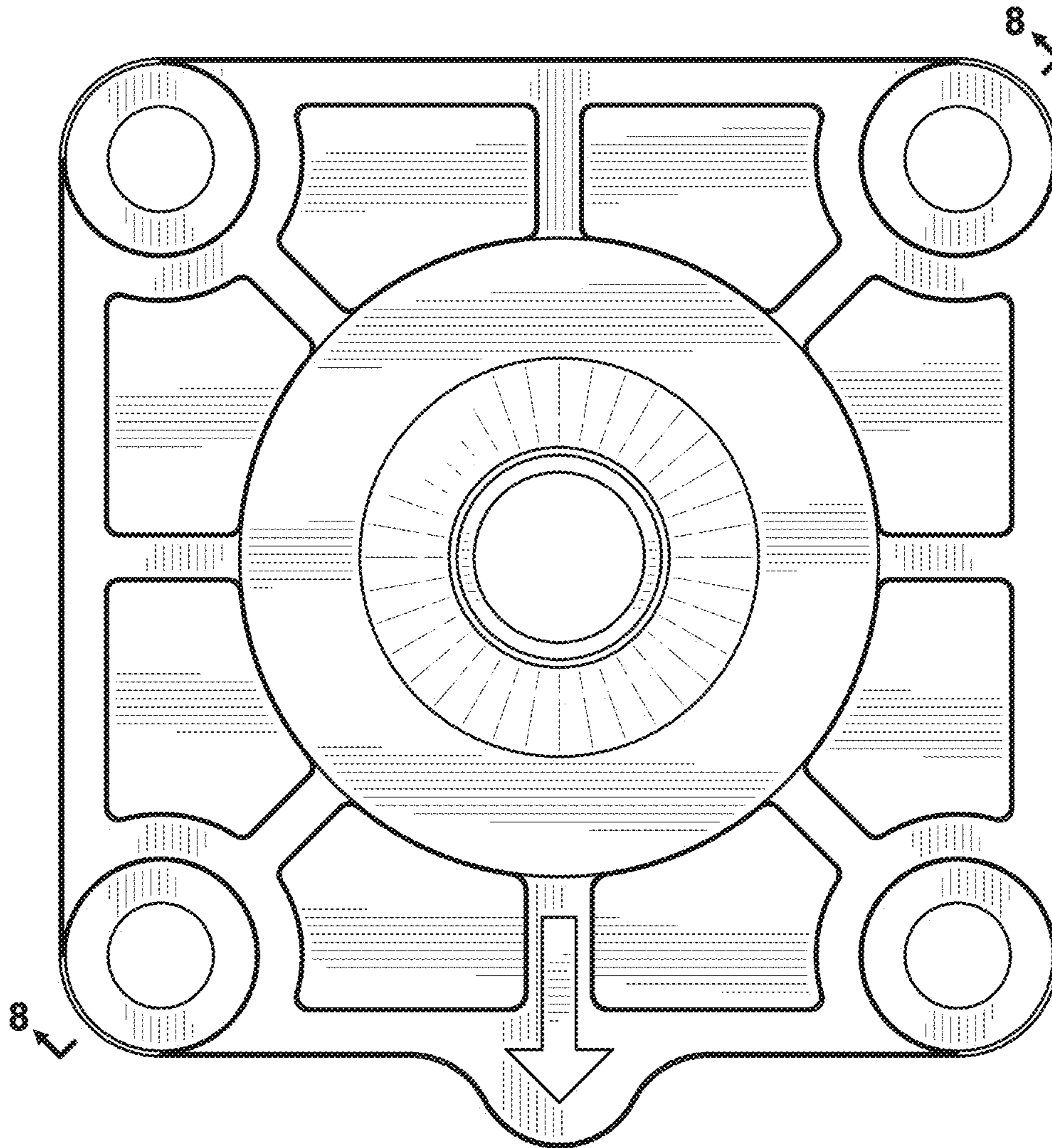


FIG. 3

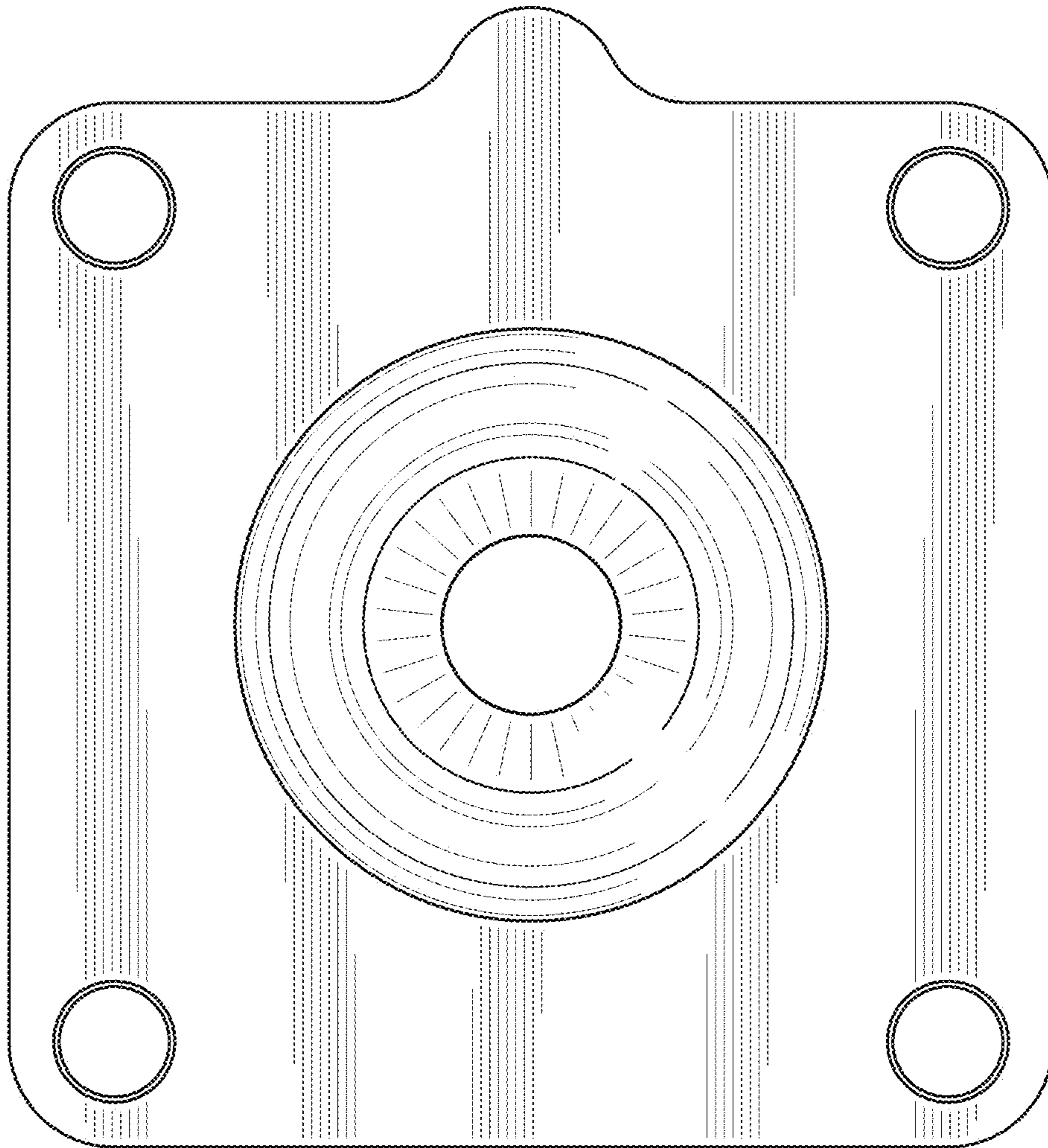


FIG. 4

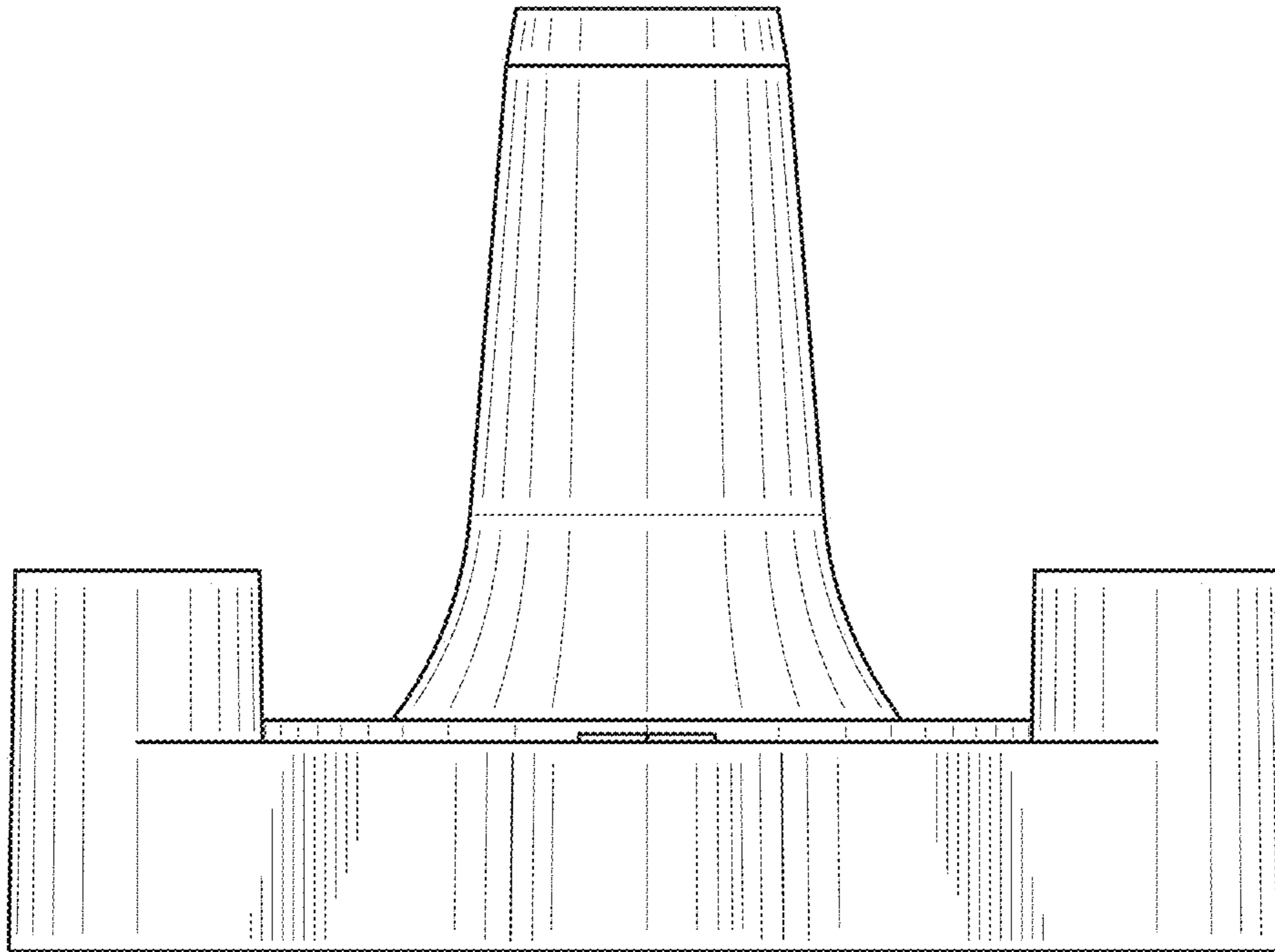


FIG. 5

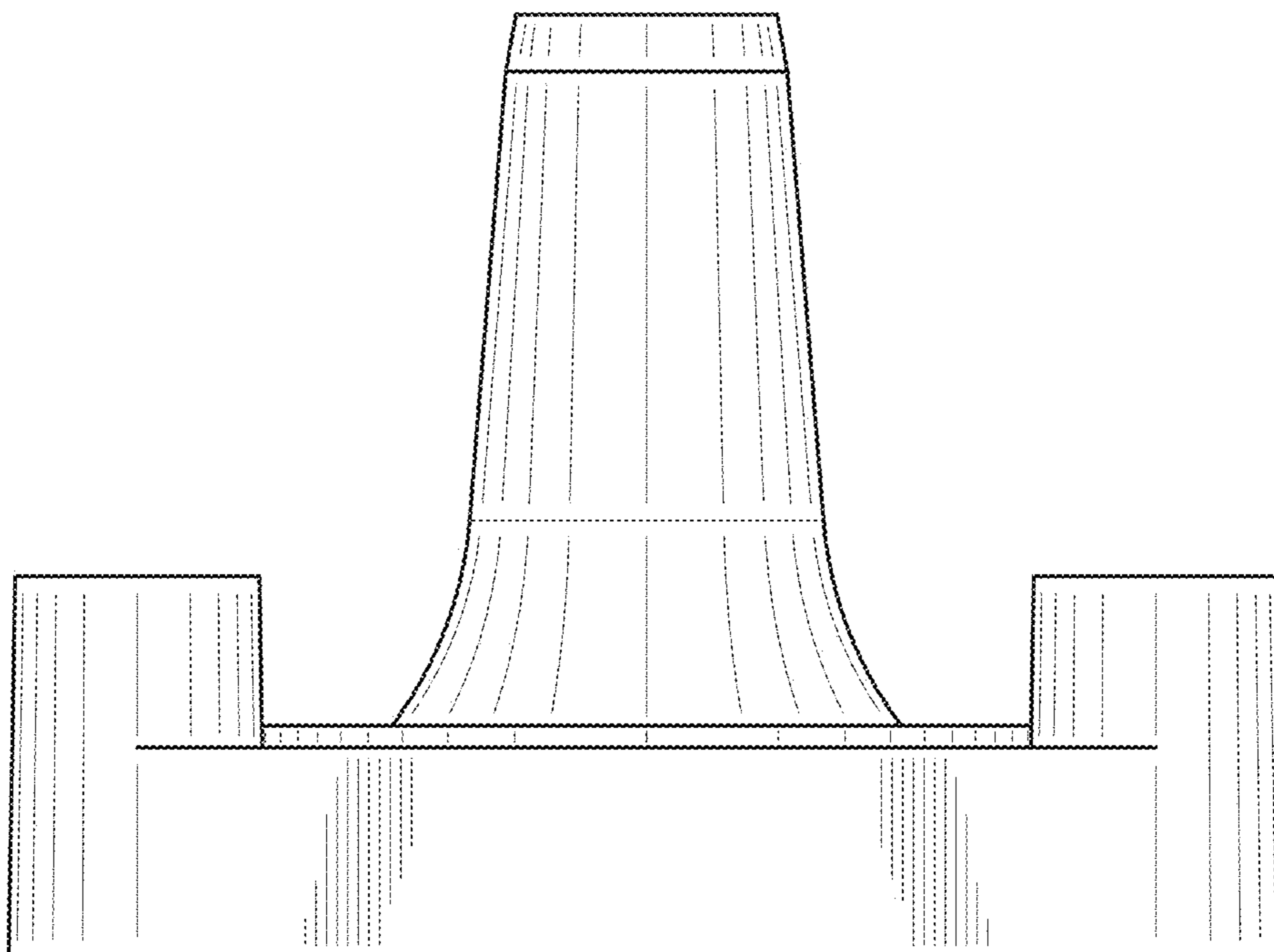


FIG. 6

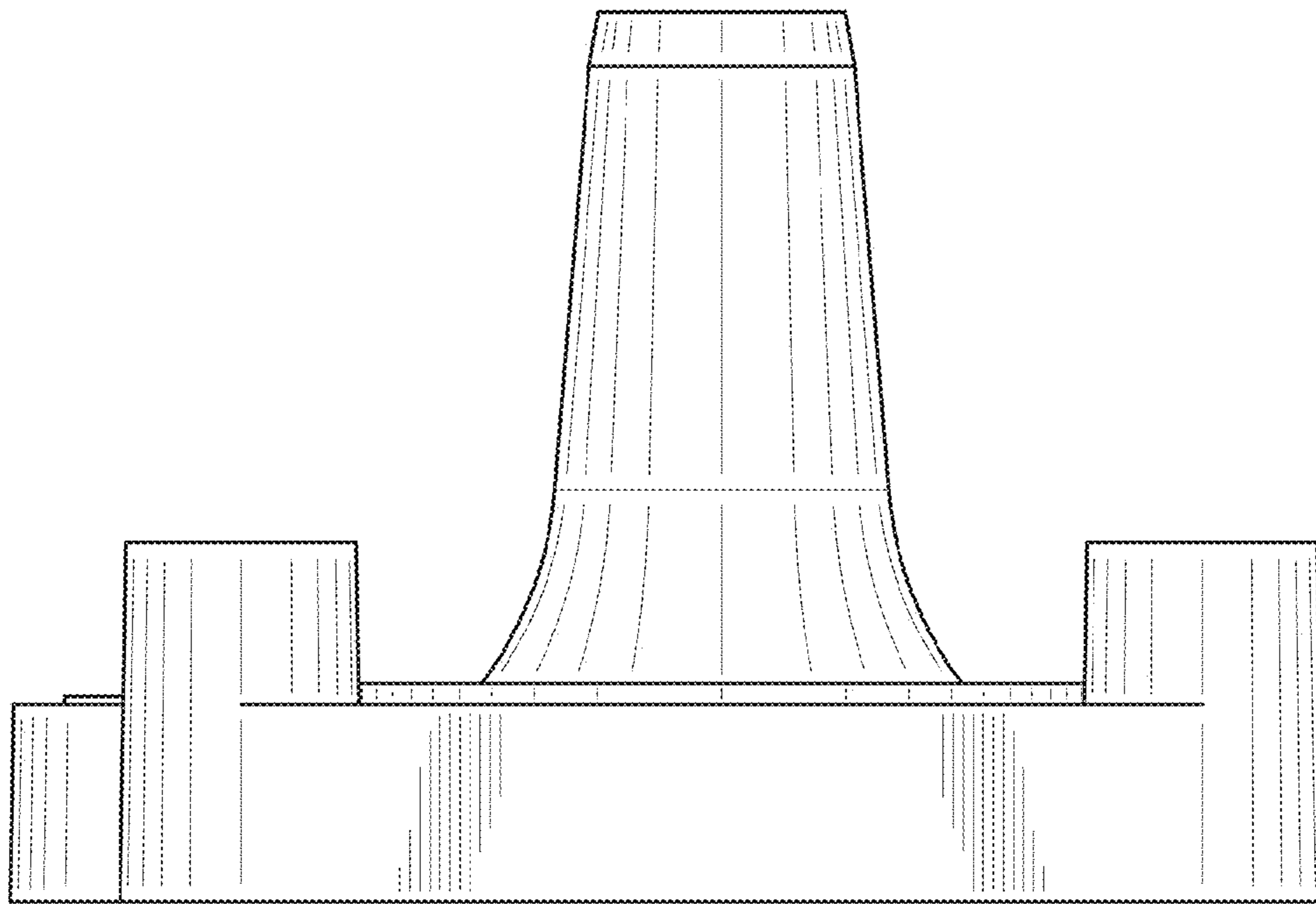


FIG. 7

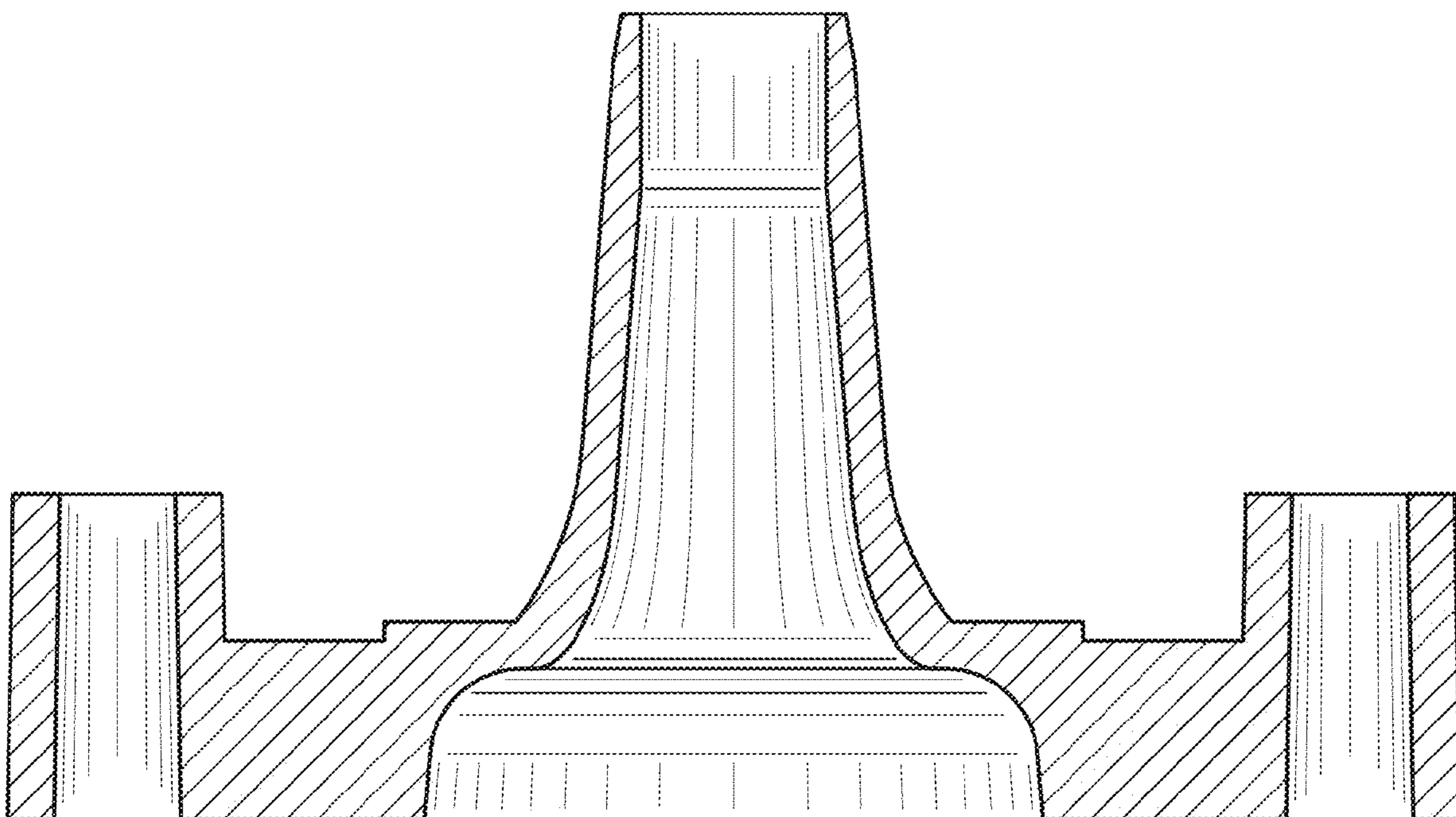


FIG. 8