



US00D979711S

(12) **United States Design Patent**  
**Garcia**

(10) **Patent No.:** **US D979,711 S**

(45) **Date of Patent:** **\*\* Feb. 28, 2023**

(54) **VALVE FLUSH TOOL**

(71) Applicant: **John Garcia**, Murray, UT (US)

(72) Inventor: **John Garcia**, Murray, UT (US)

(\*\*) Term: **15 Years**

(21) Appl. No.: **29/775,671**

(22) Filed: **Mar. 24, 2021**

(51) **LOC (14) Cl.** ..... **23-01**

(52) **U.S. Cl.**

USPC ..... **D23/233**

(58) **Field of Classification Search**

USPC ..... D23/321, 421, 209, 213–235, 259, 262;  
D8/2; D15/28

CPC .... F15B 2211/7053; F15B 2211/20576; F15B  
2211/20546; F15B 13/0402; F15B  
2211/30525; F15B 2211/40515; F15B  
2211/30505; F15B 2211/6355; F15B  
2211/428; F15B 2211/50536; F15B  
13/0417; F15B 15/149; F15B 3/00; F15B  
2211/528; F15B 13/02; F15B 2211/3058;  
F15B 13/042; F15B 21/00

See application file for complete search history.

(56) **References Cited**

**U.S. PATENT DOCUMENTS**

D351,216 S *	10/1994	Millett	.....	D23/233
D371,188 S *	6/1996	Ziegenbein	.....	D23/233
D449,872 S *	10/2001	Lohde	.....	D23/233
D628,274 S *	11/2010	Wessol	.....	D23/233
D636,059 S *	4/2011	Shorey	.....	D23/233
D692,983 S *	11/2013	Nissen	.....	D23/233
D697,587 S *	1/2014	Nissen	.....	D23/233
D699,815 S *	2/2014	Petersen	.....	D23/233
D711,508 S *	8/2014	Yumoto	.....	D23/233
D720,831 S *	1/2015	O'Banion	.....	D23/233
D720,833 S *	1/2015	Whitton	.....	D23/233
D725,747 S *	3/2015	Alexander	.....	D23/233
D728,745 S *	5/2015	Duncan	.....	D23/233
D732,641 S *	6/2015	Hermann	.....	D23/233

D739,919 S \* 9/2015 Alexander ..... F16K 31/002  
D23/233

D748,759 S \* 2/2016 Lo Cicero ..... D23/233

D753,795 S \* 4/2016 Rahms ..... D23/233

(Continued)

**FOREIGN PATENT DOCUMENTS**

CN 202130323314.6 \* 4/2022

**OTHER PUBLICATIONS**

[1] Rain Bird <sup>3</sup>/<sub>4</sub>in. Anti-Siphon Irrigation Valve with Flow Control, Oldest Review Date: Aug. 28, 2010 [online] [site visited Aug. 10, 2022] <https://www.homedepot.com/p/Rain-Bird-3-4-in-Anti-Siphon-Irrigation-Valve-with-Flow-Control-DASASVF075/100036021> (Year: 2010).\*

(Continued)

*Primary Examiner* — Amy C Wierenga

*Assistant Examiner* — Andrea Marie McKay

(74) *Attorney, Agent, or Firm* — Sam IP Legal Solutions, P.C.; Ryan D. Sam

(57) **CLAIM**

The ornamental design for a valve flush tool, as shown and described.

**DESCRIPTION**

FIG. 1 is a top perspective view of a valve flush tool embodying my new design;

FIG. 2 is a bottom perspective view thereof;

FIG. 3 is a top plan view thereof;

FIG. 4 is a bottom plan view thereof;

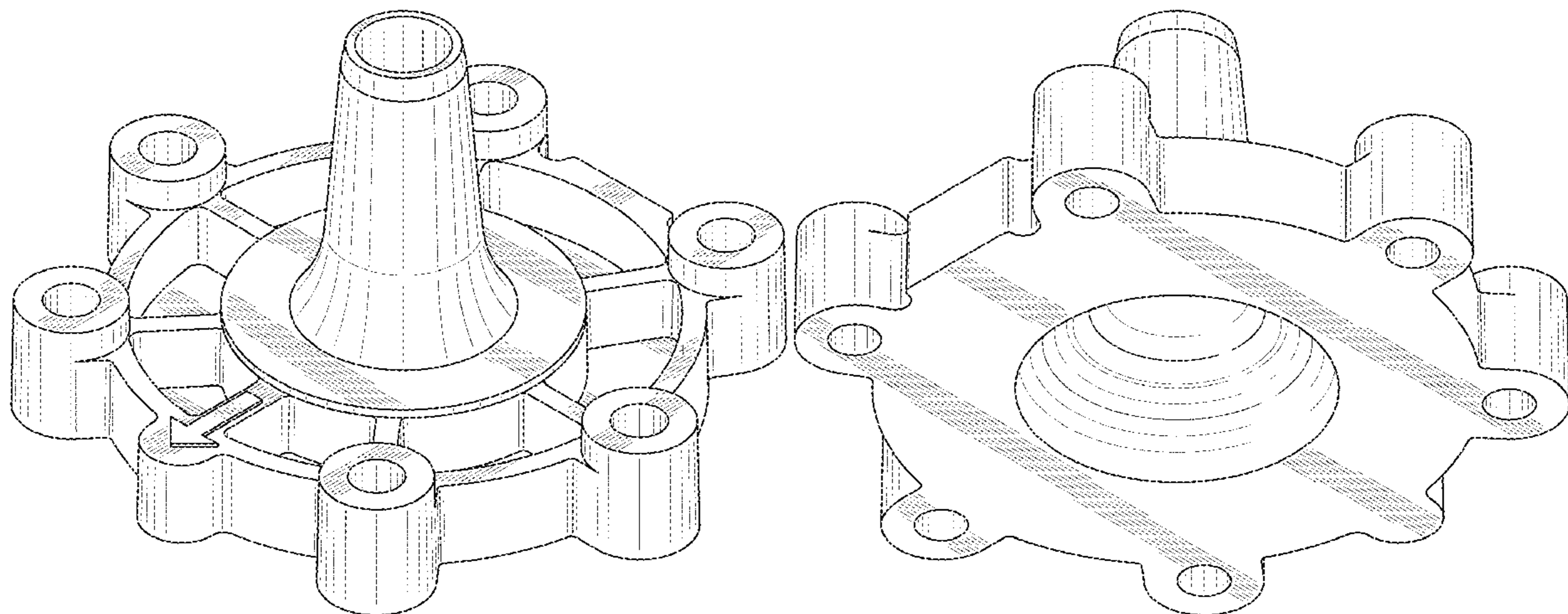
FIG. 5 is a front elevational view thereof;

FIG. 6 is a rear elevational view thereof;

FIG. 7 is a right-side elevational view thereof, the left-side elevational view being a mirror image; and,

FIG. 8 is a sectional view taken along the line 8-8 from FIG. 3.

**1 Claim, 6 Drawing Sheets**



(56)

References Cited

U.S. PATENT DOCUMENTS

D758,541 S \* 6/2016 Keller ..... D23/233  
 D760,871 S \* 7/2016 Boyer ..... D23/233  
 D768,822 S \* 10/2016 Harck ..... D23/233  
 D770,018 S \* 10/2016 Musolf ..... D23/233  
 D770,595 S \* 11/2016 Suzuki ..... D23/233  
 D774,984 S \* 12/2016 Panichgasem ..... D23/233  
 D800,870 S \* 10/2017 Daniels ..... D23/233  
 D812,190 S \* 3/2018 Harck ..... D23/233  
 D820,393 S \* 6/2018 Tickle ..... D23/233  
 D834,145 S \* 11/2018 McNamara ..... F16K 31/002  
 D23/233  
 D835,241 S \* 12/2018 Dietzen ..... D23/233  
 D864,354 S \* 10/2019 Asada ..... D23/233  
 D876,586 S \* 2/2020 Asada ..... D23/233  
 D886,236 S \* 6/2020 Pfund ..... D23/233  
 D894,340 S \* 8/2020 Roden ..... D23/233  
 D908,191 S \* 1/2021 Li ..... D23/233  
 D910,719 S \* 2/2021 Cooper ..... D15/7  
 10,907,638 B2 \* 2/2021 Wilds ..... F04D 29/708

D912,205 S \* 3/2021 Cordua ..... D23/233  
 D917,013 S \* 4/2021 Pfund ..... D23/233  
 D917,667 S \* 4/2021 Chien ..... D23/233  
 D917,668 S \* 4/2021 Xie ..... D23/233  
 D919,048 S \* 5/2021 Li ..... D23/233  
 D919,049 S \* 5/2021 Li ..... D23/233  
 D954,178 S \* 6/2022 Mikesch ..... D23/233  
 D958,937 S \* 7/2022 Pfund ..... F04D 29/708  
 D23/233

OTHER PUBLICATIONS

[2] Rain Bird—Troubleshooting and Maintenance Guide for Residential Automatic Valves, Copyright Date 2016 [online] [site visited Aug. 10, 2022] <https://images.thdstatic.com/catalog/pdfimages/93/9382a49d-7463-47a8-9c95-4c76dcc8e1e3.pdf> (Year: 2016).\*  
 [3] Irritrol HR1 Replacement Bonnet | R719901, review date Apr. 26, 2015 [online] [https://www.sprinklerwarehouse.com/irritrol-hr1-replacement-bonnet-r719901?gclid=EAIaIQobChMlg5qbr-i8-QIV4oFbCh3DKAH0EAKYAIAABEgL4-fD\\_BwE](https://www.sprinklerwarehouse.com/irritrol-hr1-replacement-bonnet-r719901?gclid=EAIaIQobChMlg5qbr-i8-QIV4oFbCh3DKAH0EAKYAIAABEgL4-fD_BwE) (Year: 2015).\*

\* cited by examiner



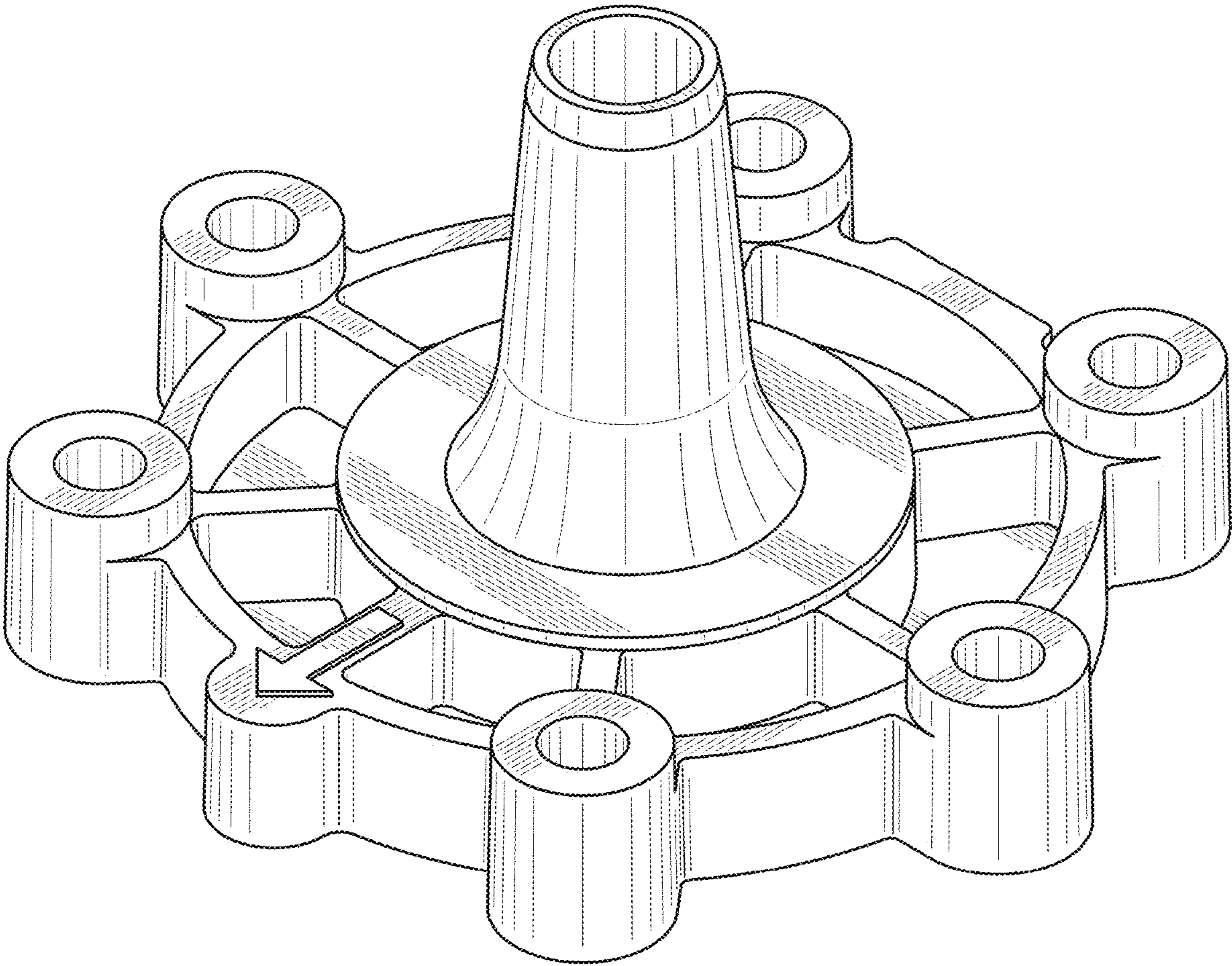


FIG. 1

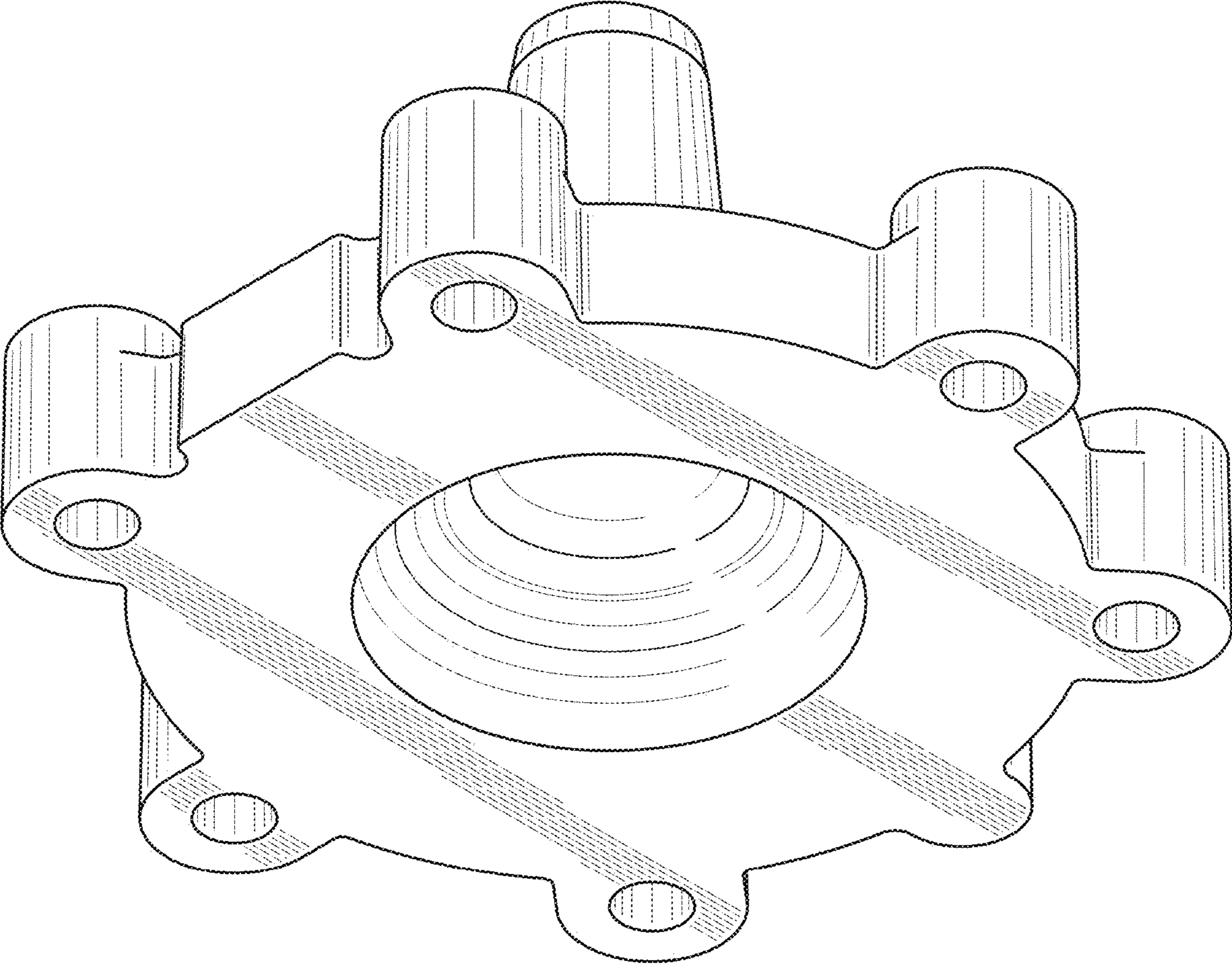


FIG. 2

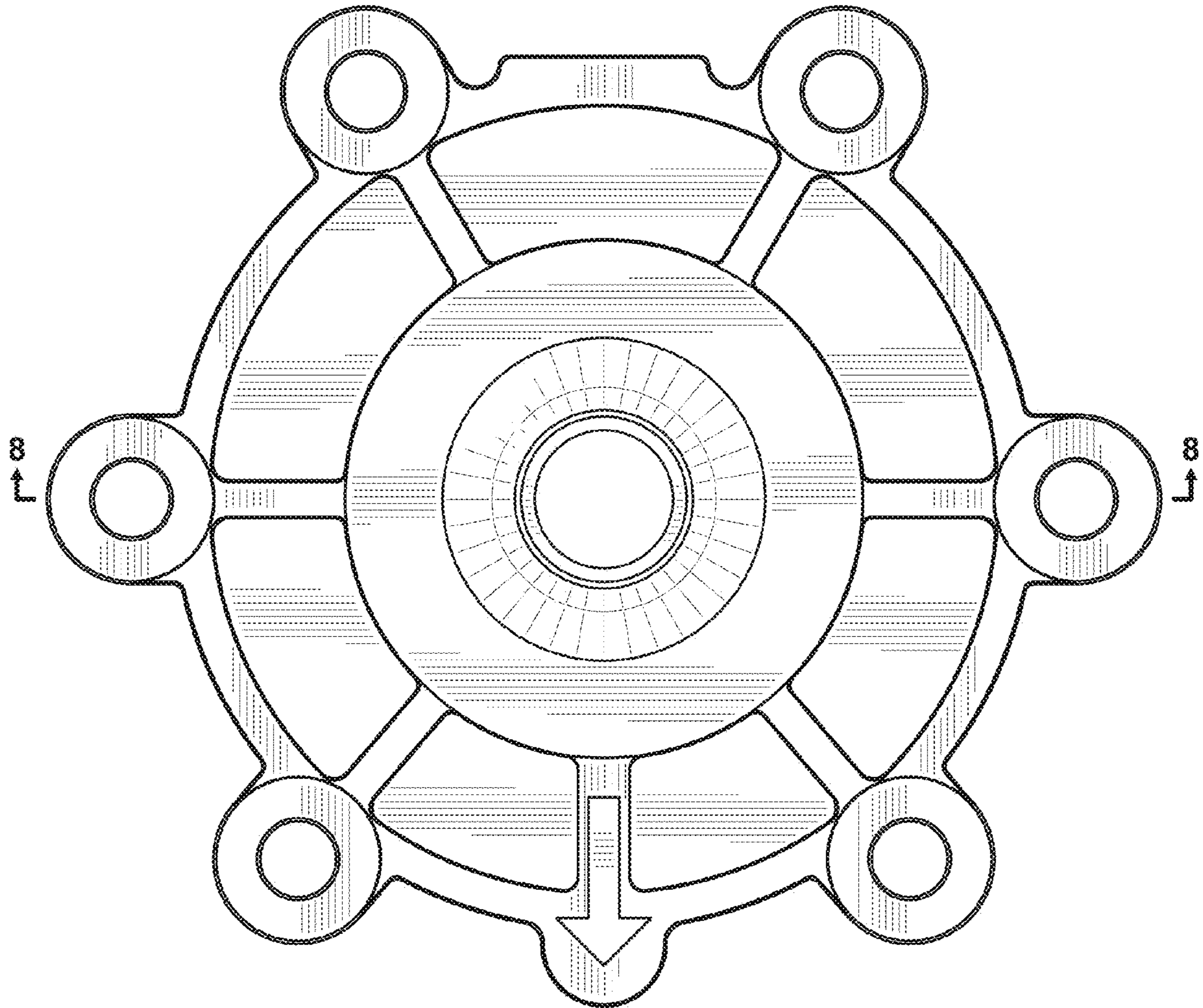


FIG. 3



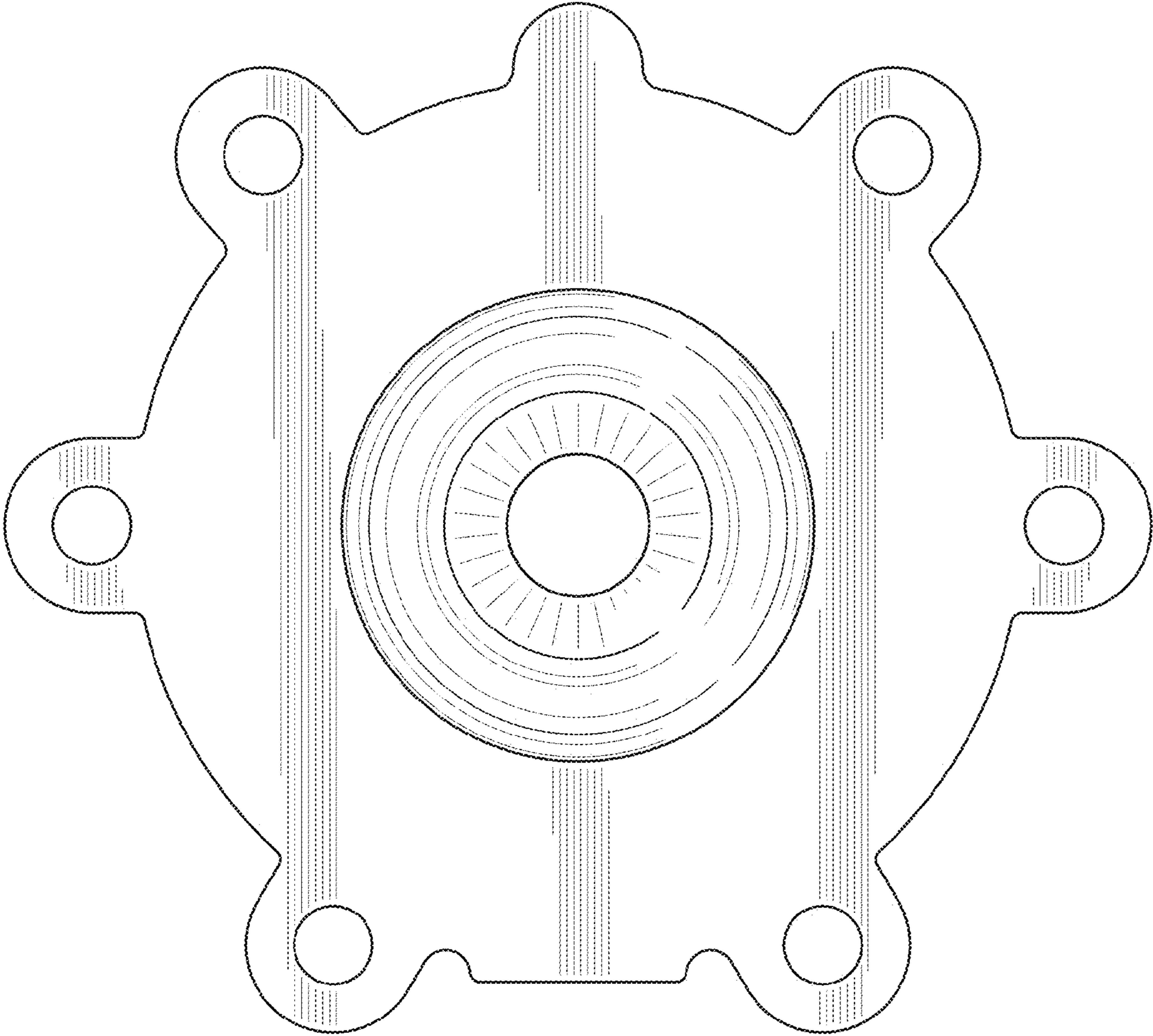


FIG. 4

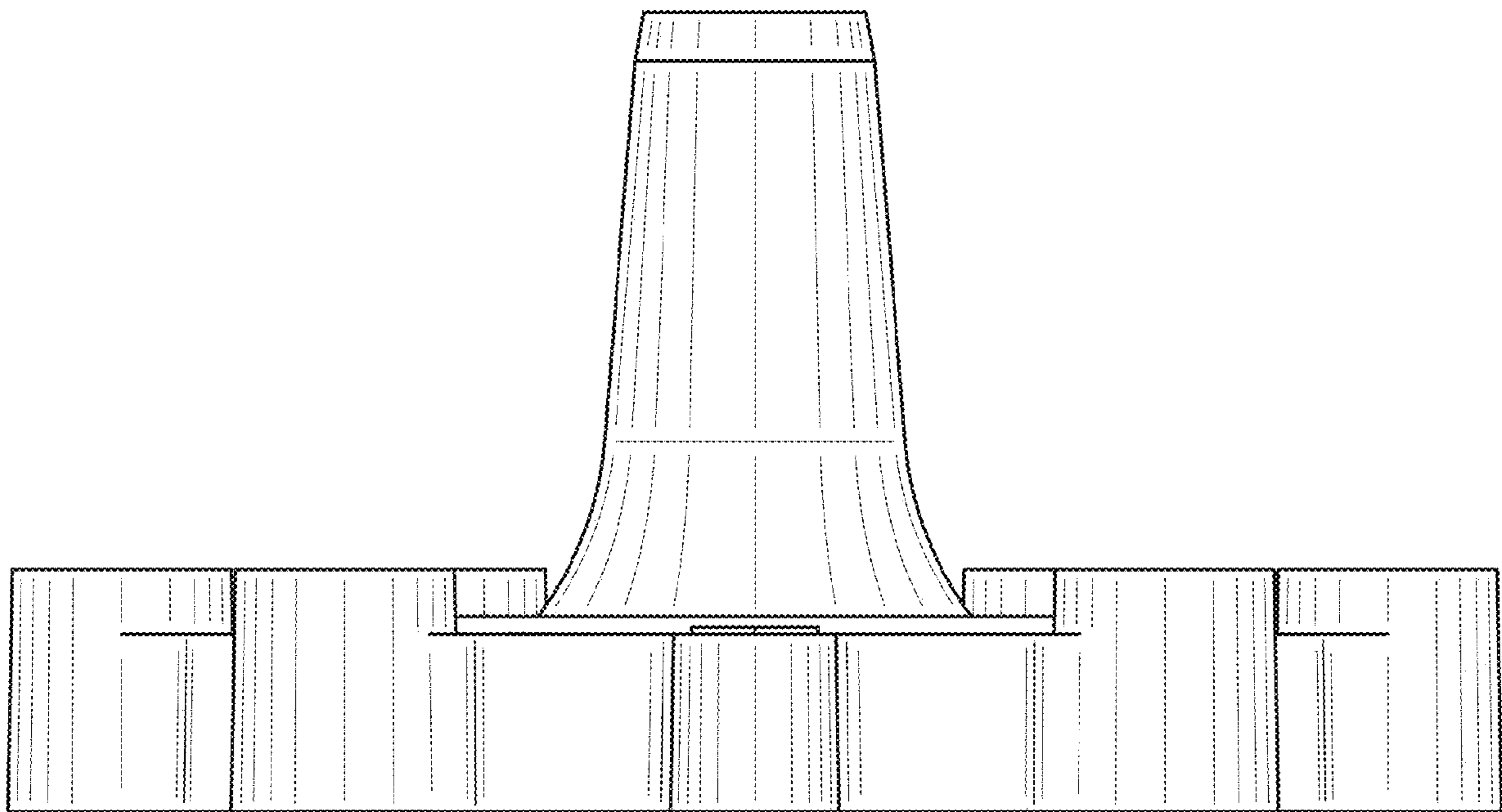


FIG. 5

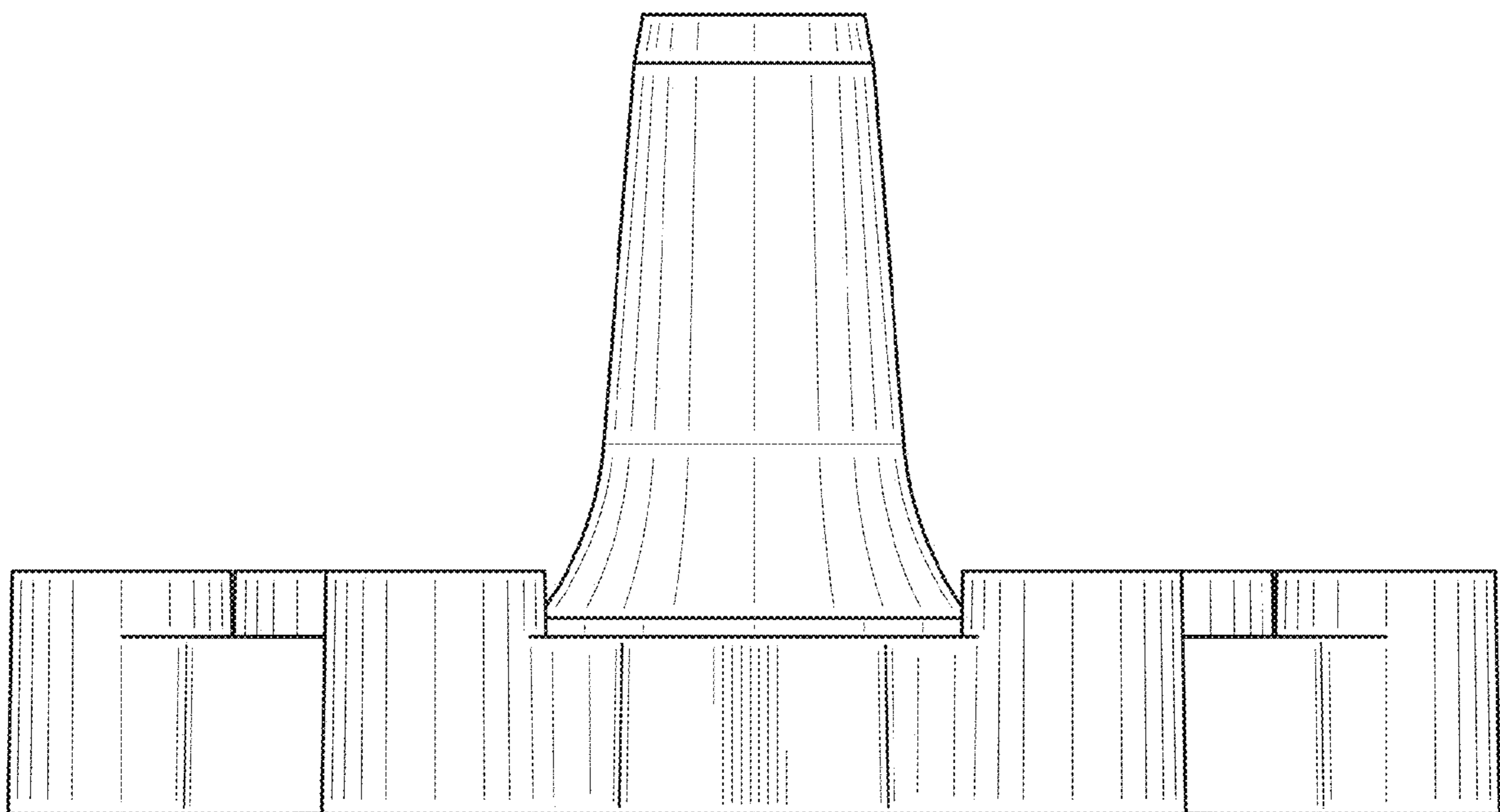


FIG. 6

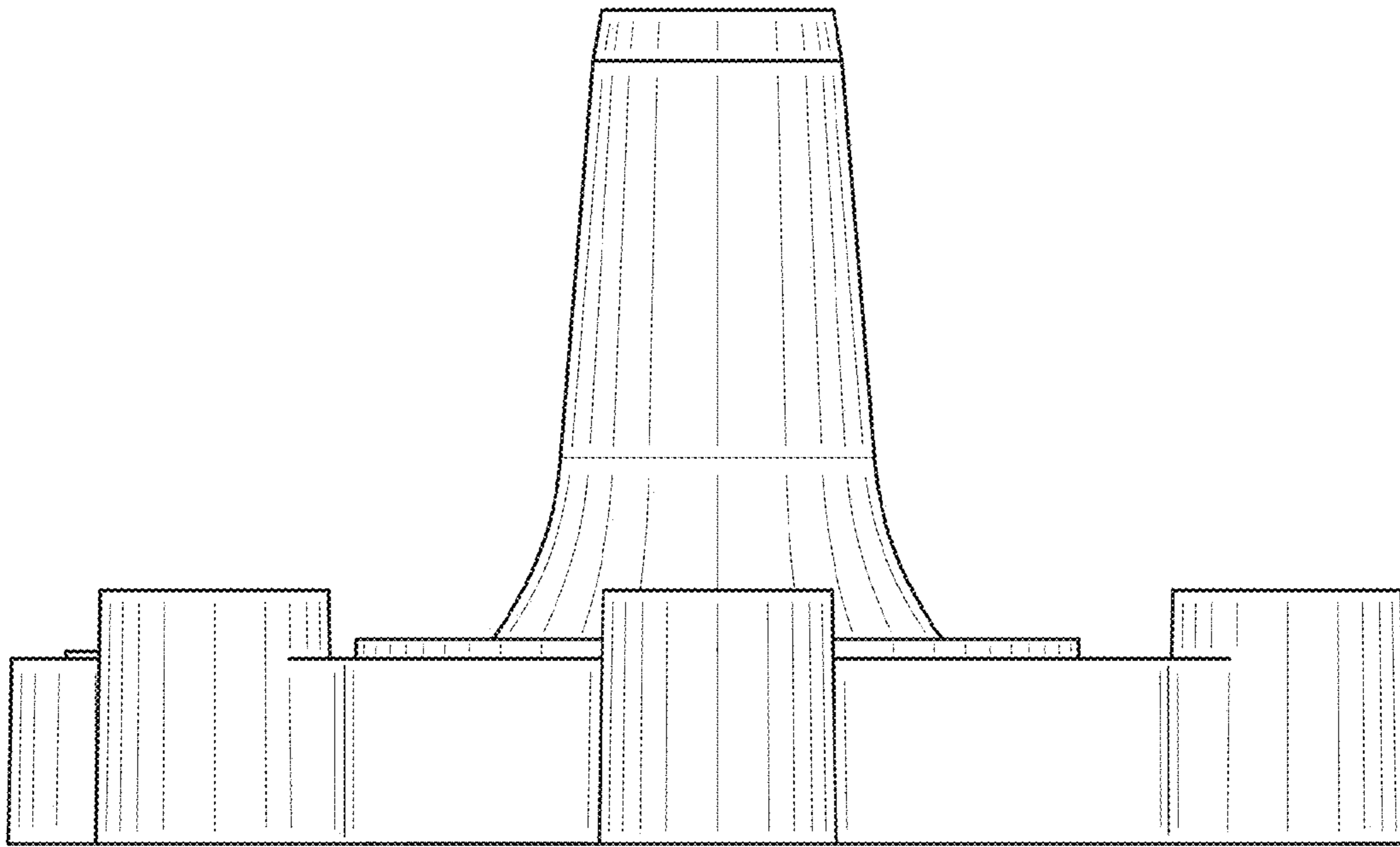


FIG. 7

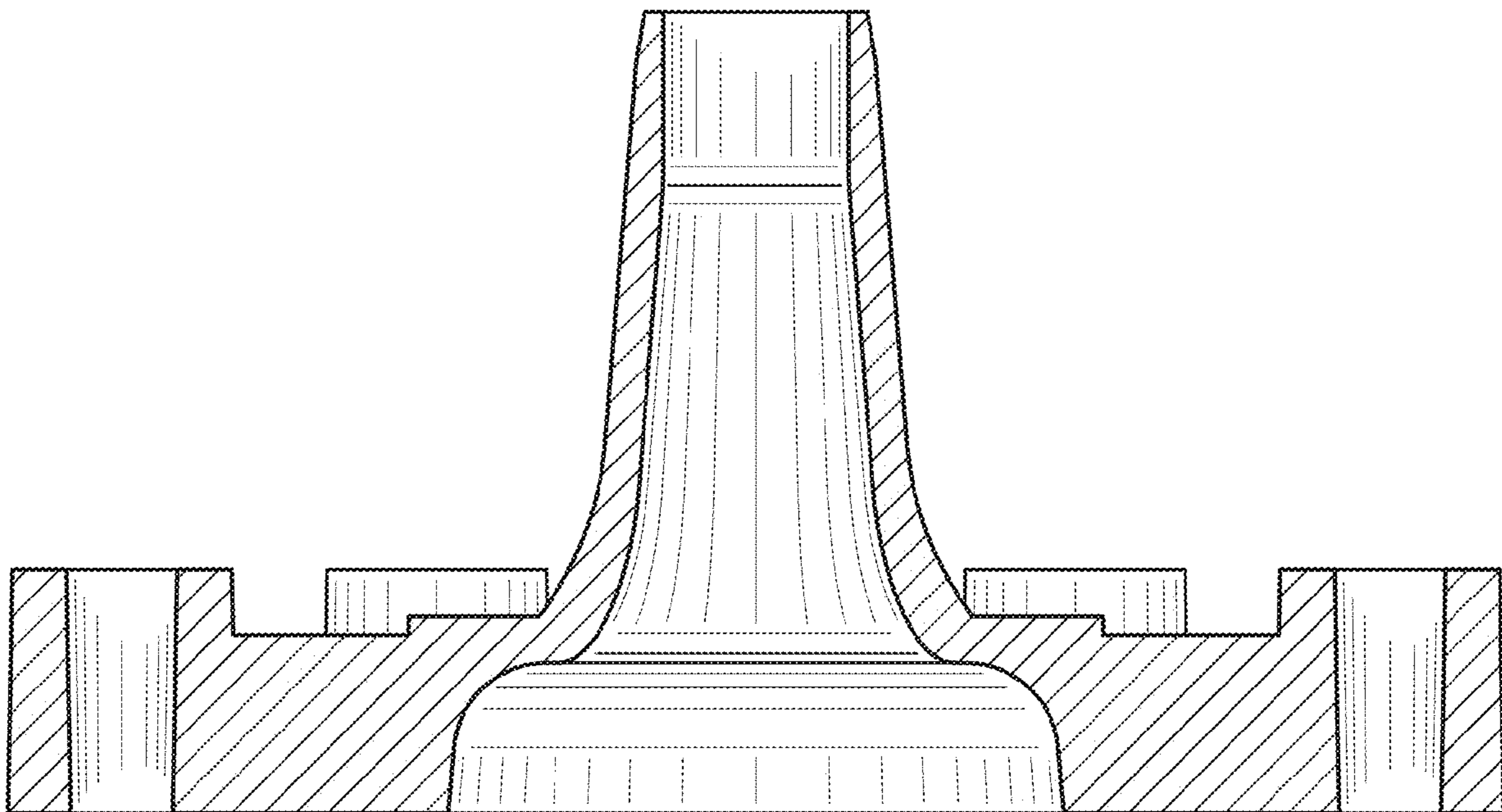


FIG. 8