



US00D979710S

(12) **United States Design Patent**
Li et al.

(10) **Patent No.:** **US D979,710 S**
(45) **Date of Patent:** **** Feb. 28, 2023**

(54) **HANDHELD SHOWER HEAD**
(71) Applicant: **XIAMEN DELMEI SANITARY WARE CO., LTD.**, Xiamen (CN)
(72) Inventors: **Wenjun Li**, Nanping (CN); **Weilong Luo**, Quanzhou (CN); **Haihua Su**, Xiamen (CN); **Pingqing Zhang**, Xiamen (CN)

(73) Assignee: **XIAMEN DELMEI SANITARY WARE CO., LTD.**, Xiamen (CN)

(**) Term: **15 Years**

(21) Appl. No.: **29/805,847**

(22) Filed: **Aug. 31, 2021**

(30) **Foreign Application Priority Data**

Aug. 17, 2021 (CN) 202130534907.7

(51) **LOC (14) Cl.** **23-01**

(52) **U.S. Cl.**
USPC **D23/223**

(58) **Field of Classification Search**
USPC D23/223, 213, 214, 215, 221, 222, 224, D23/226, 227, 228, 229, 230, 238, 239, D23/304
CPC A61H 9/0021; A61H 33/00; B05B 1/304; B05B 1/308; B05B 1/00; B05B 1/14; B05B 1/185; B05B 1/08; B05B 1/02; B05B 1/26; B05B 12/002; B05B 1/18; B05B 9/01; E03C 1/0401; E03C 1/0408; E03C 1/066

See application file for complete search history.

(56) **References Cited**

U.S. PATENT DOCUMENTS

D590,916 S * 4/2009 Schoenherr D23/223
D590,917 S * 4/2009 Schoenherr D23/223
D655,386 S * 3/2012 Schoenherr D23/223

D655,387 S * 3/2012 Schoenherr D23/223
D655,390 S * 3/2012 Schoenherr D23/223
D655,783 S * 3/2012 Schoenherr D23/223
D669,156 S * 10/2012 Schoenherr D23/223
D694,361 S * 11/2013 Schoenherr D23/223
D697,177 S * 1/2014 Schoenherr D23/223
D713,004 S * 9/2014 Schoenherr D23/223
D713,498 S * 9/2014 Schoenherr D23/223
10,132,423 B1 * 11/2018 Lan B05B 1/185

(Continued)

OTHER PUBLICATIONS

“Ablink High Pressure Shower Head with Handheld 6 Modes Chrome Shower Head . . .” First Available Jun. 18, 2021; Visited Online Dec. 10, 2022; https://www.amazon.com/Ablink-Pressure-Handheld-Stainless-Adjustable/dp/B097H8KK7V/ref=psdc_468240_t4_B089GZZZC1 (Year: 2021).*

Primary Examiner — Amy C Wierenga

Assistant Examiner — Kathryn Elizabeth Zieno

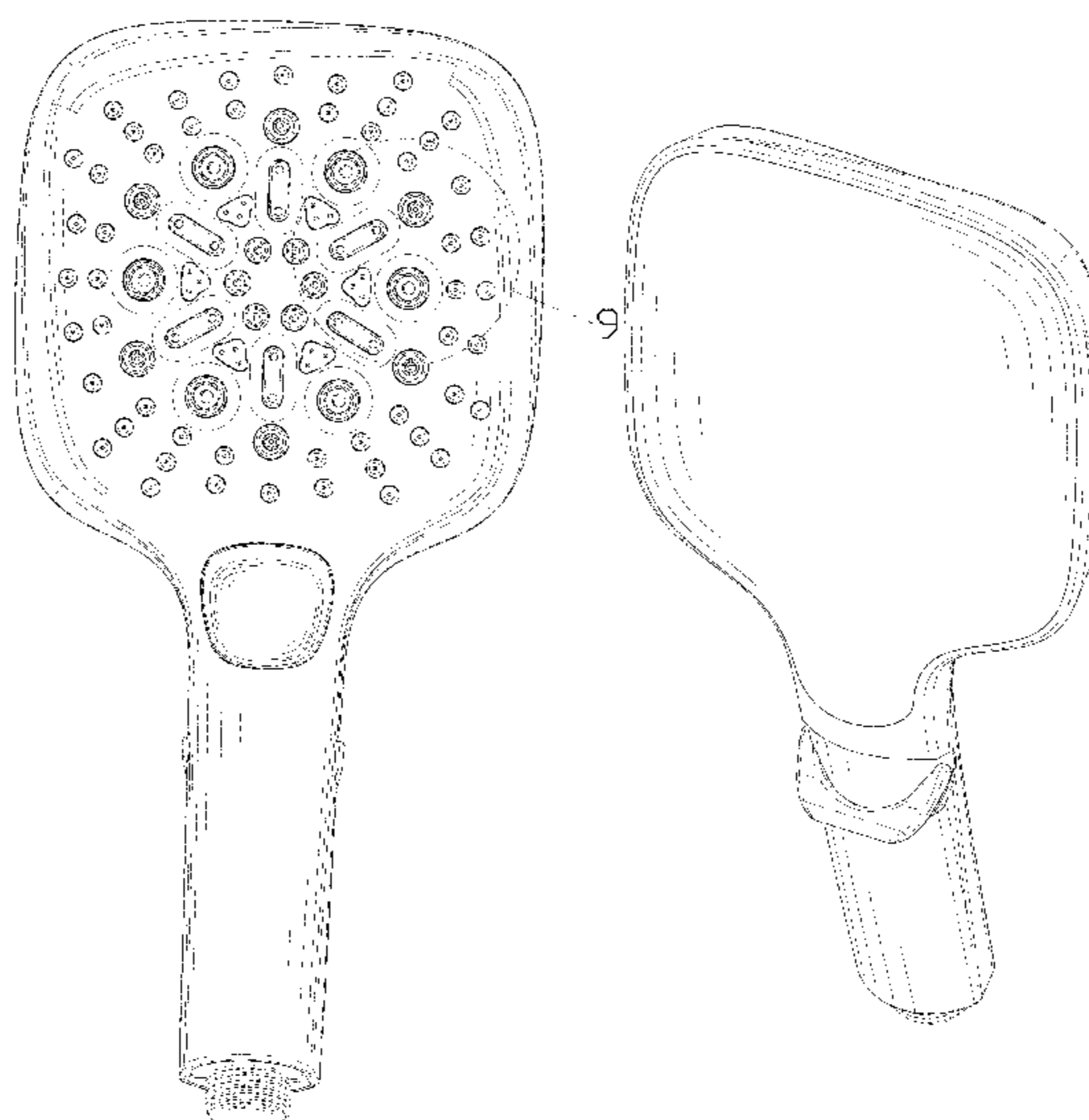
(57) **CLAIM**

The ornamental design for a handheld shower head, as shown and described.

DESCRIPTION

FIG. 1 is a perspective view of a handheld shower head showing our new design;
FIG. 2 is another perspective view thereof;
FIG. 3 is a front elevational view thereof;
FIG. 4 is a rear elevational view thereof;
FIG. 5 is a left side elevational view thereof;
FIG. 6 is a right side elevational view thereof;
FIG. 7 is a top plan view thereof;
FIG. 8 is a bottom plan view thereof; and,
FIG. 9 is an enlarged view of portion 9 shown in FIG. 1. The dash-dash broken lines in the drawings depict portions of the handheld shower head that form no part of the claimed design. The dot-dash broken lines represent boundaries of the enlarged portion and form no part of the claimed design.

1 Claim, 9 Drawing Sheets



(56)

References Cited

U.S. PATENT DOCUMENTS

D841,126 S * 2/2019 Lai D23/223
D858,700 S * 9/2019 Stoler D23/223
D869,608 S * 12/2019 Seum D23/223
D925,699 S * 7/2021 Komatsu D23/223
D957,574 S * 7/2022 Park D23/226
D961,048 S * 8/2022 He D23/223
D965,742 S * 10/2022 Yan D23/223
D970,689 S * 11/2022 Yan D23/223
D972,082 S * 12/2022 Oesterle D23/223
2016/0310972 A1 * 10/2016 Lin B05B 1/18

* cited by examiner

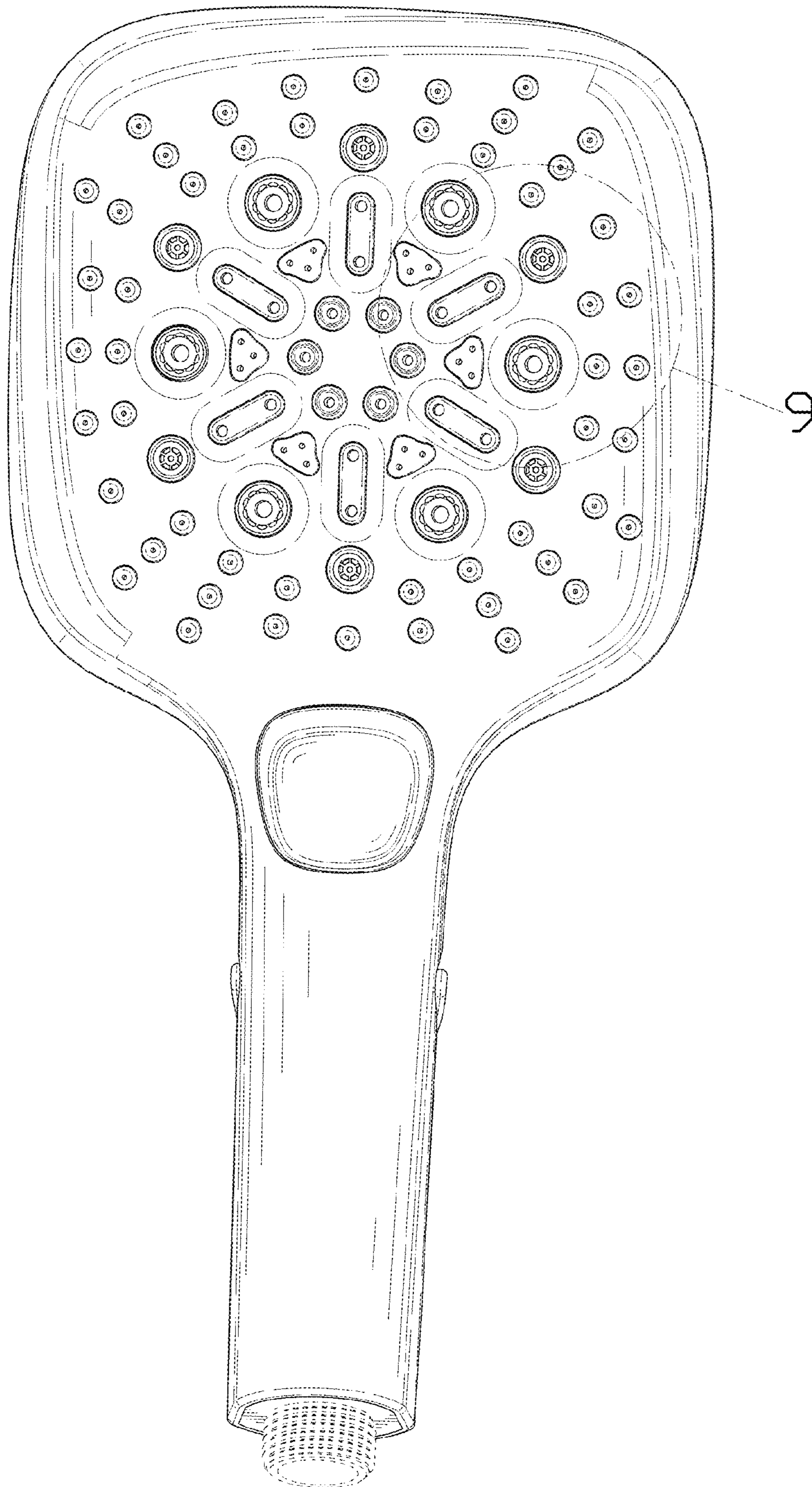


FIG. 1

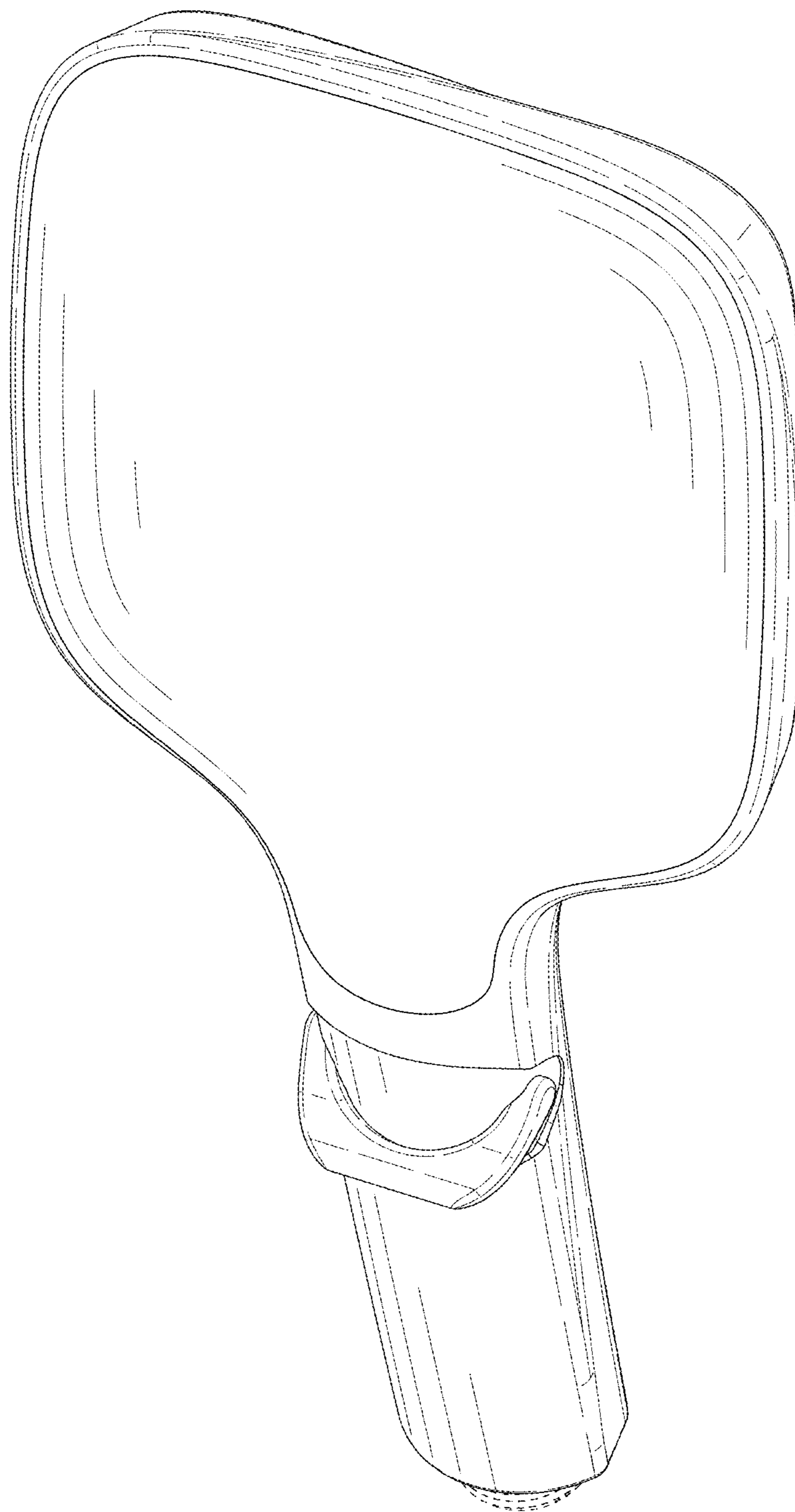


FIG. 2

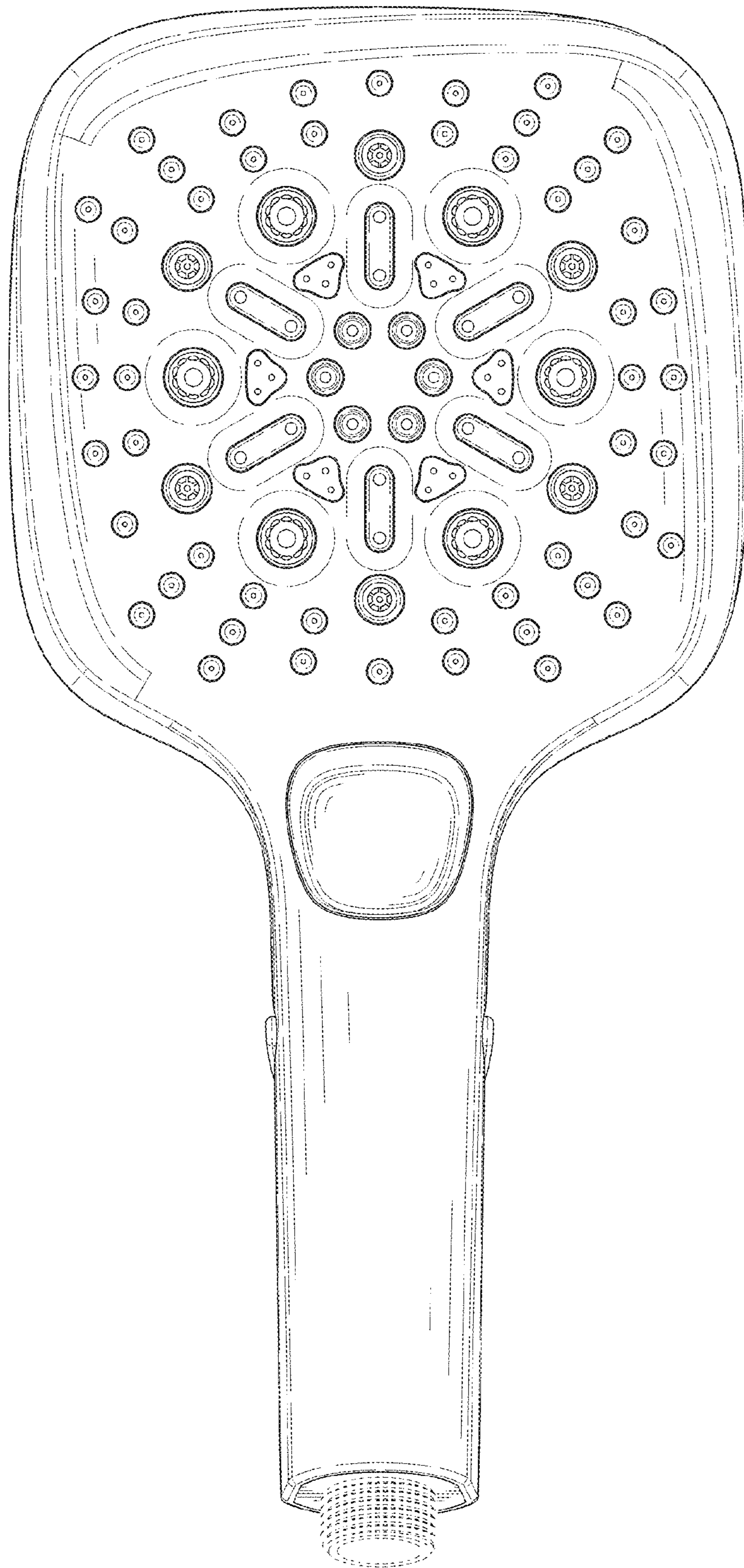


FIG. 3

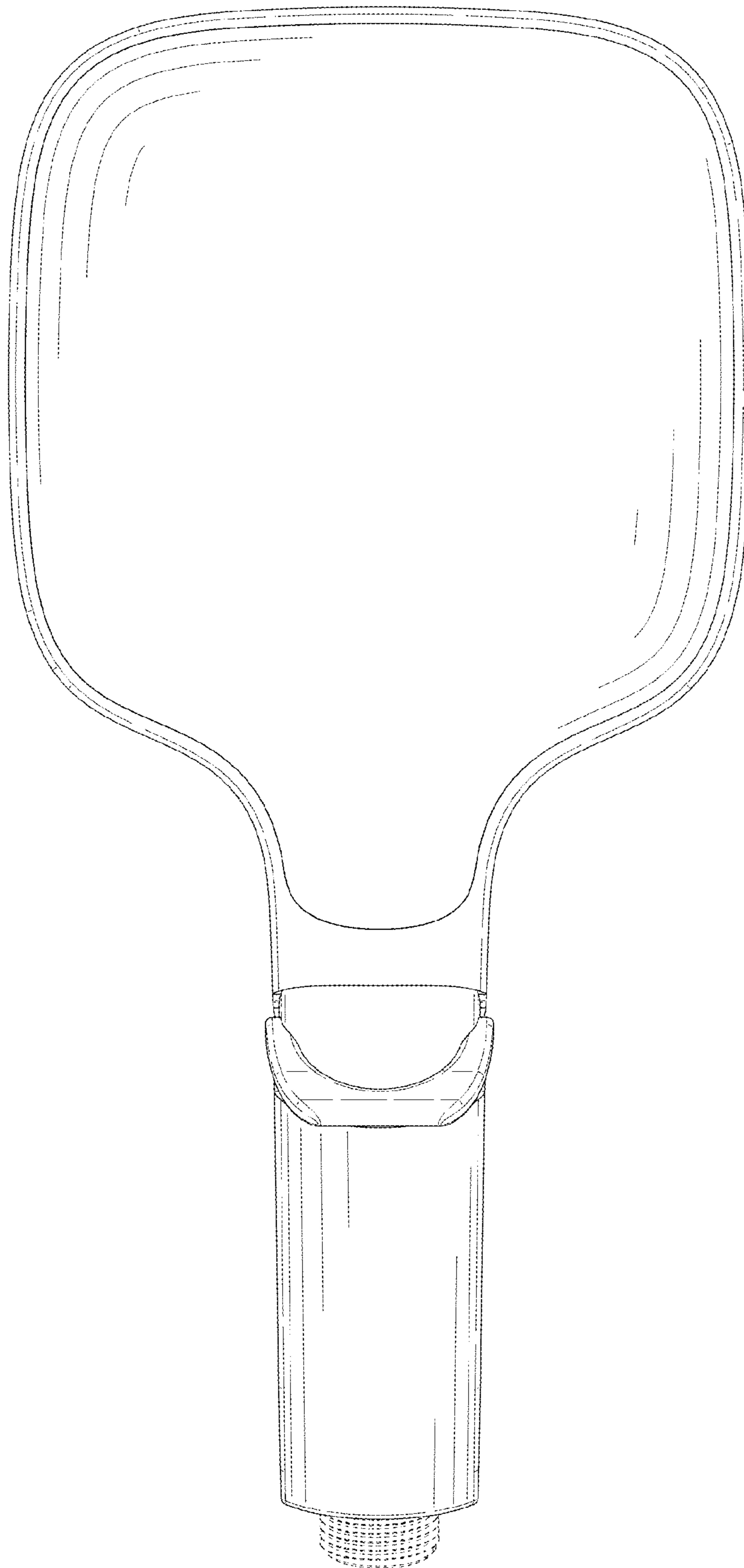


FIG. 4

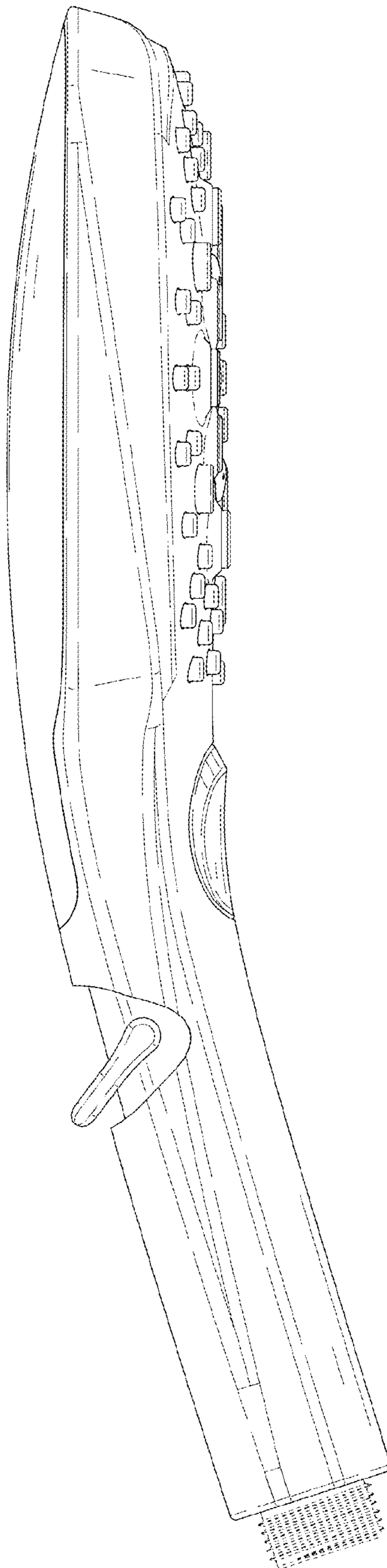


FIG. 5

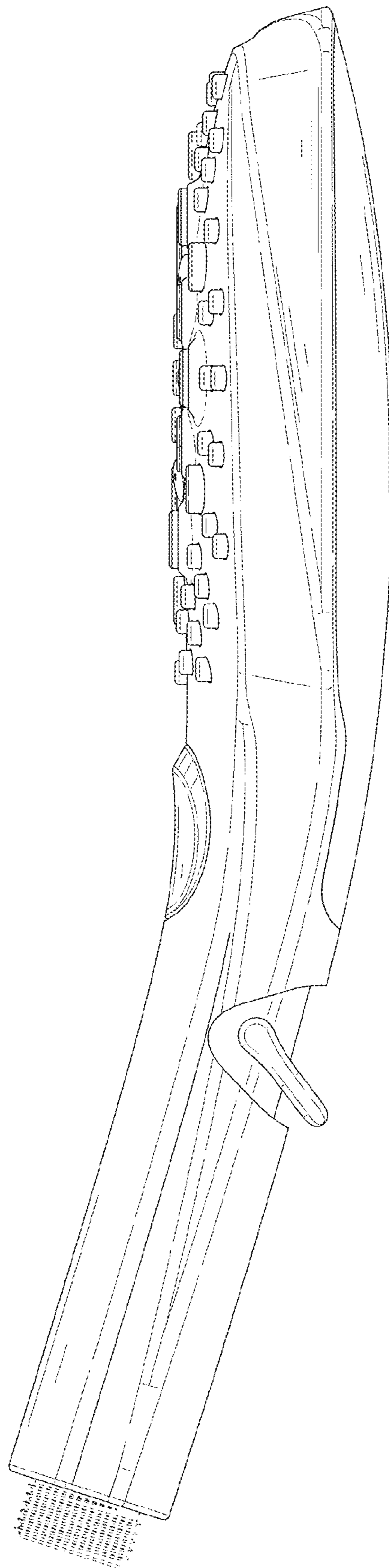


FIG. 6

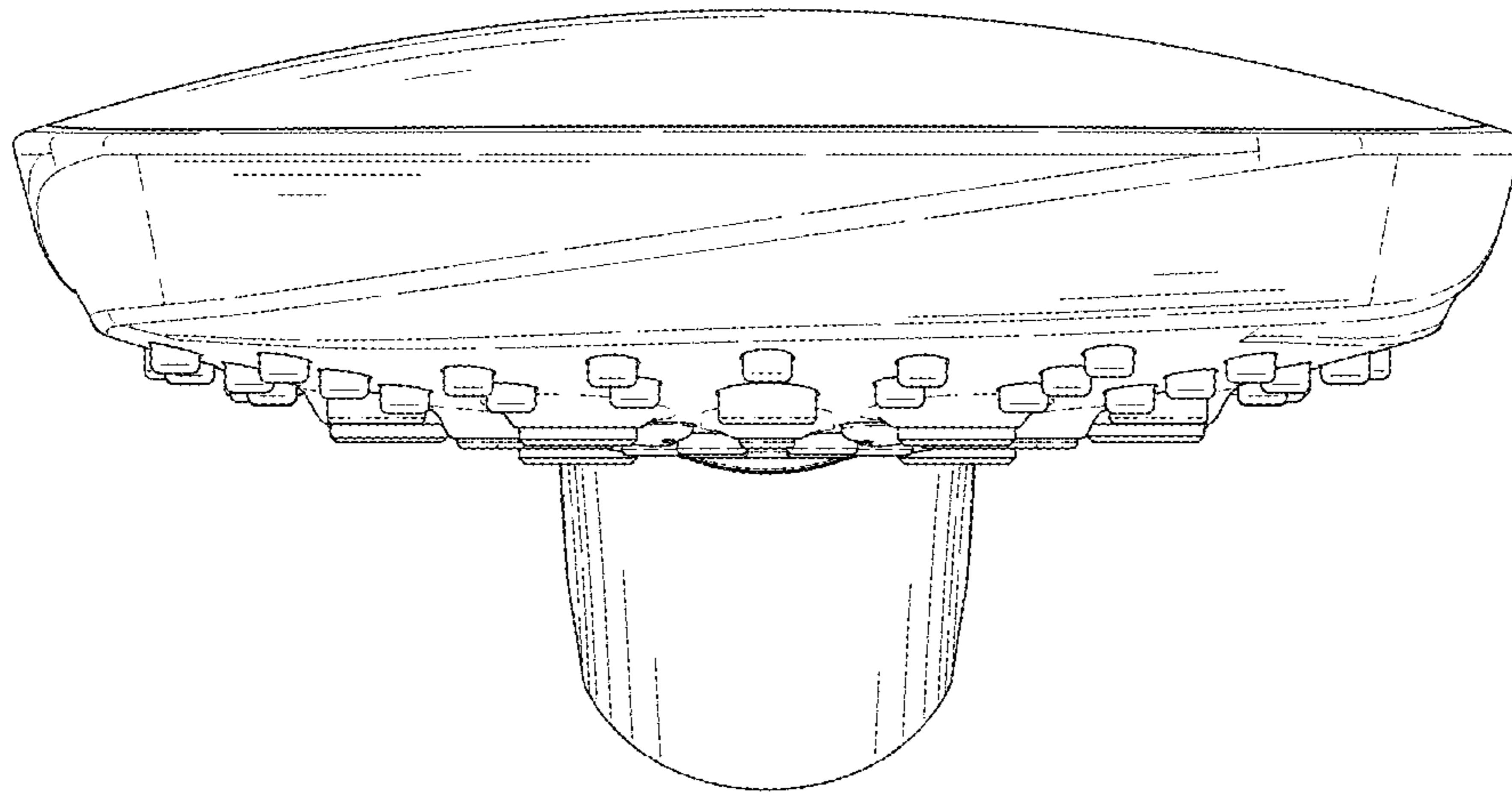


FIG. 7

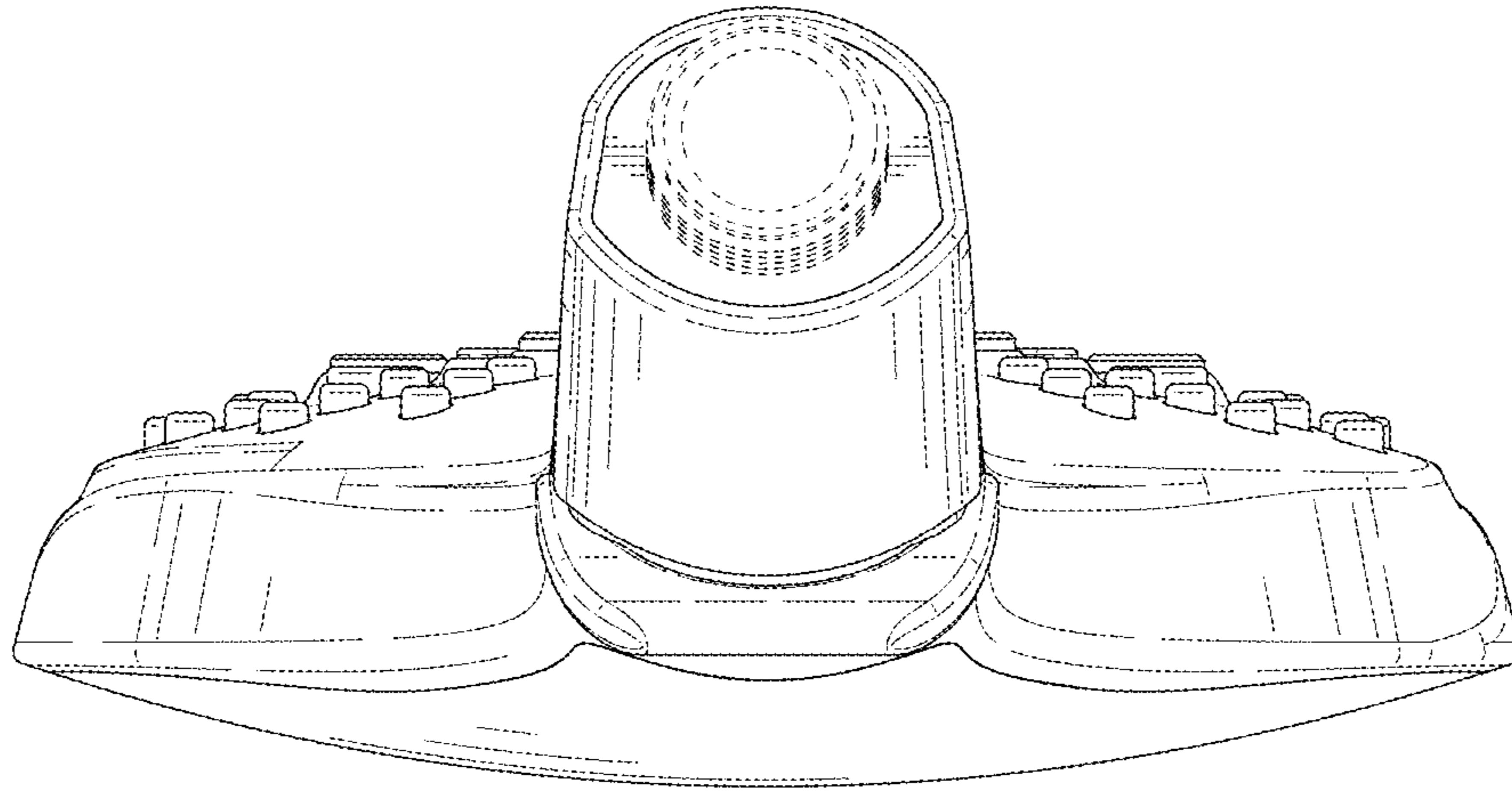


FIG. 8

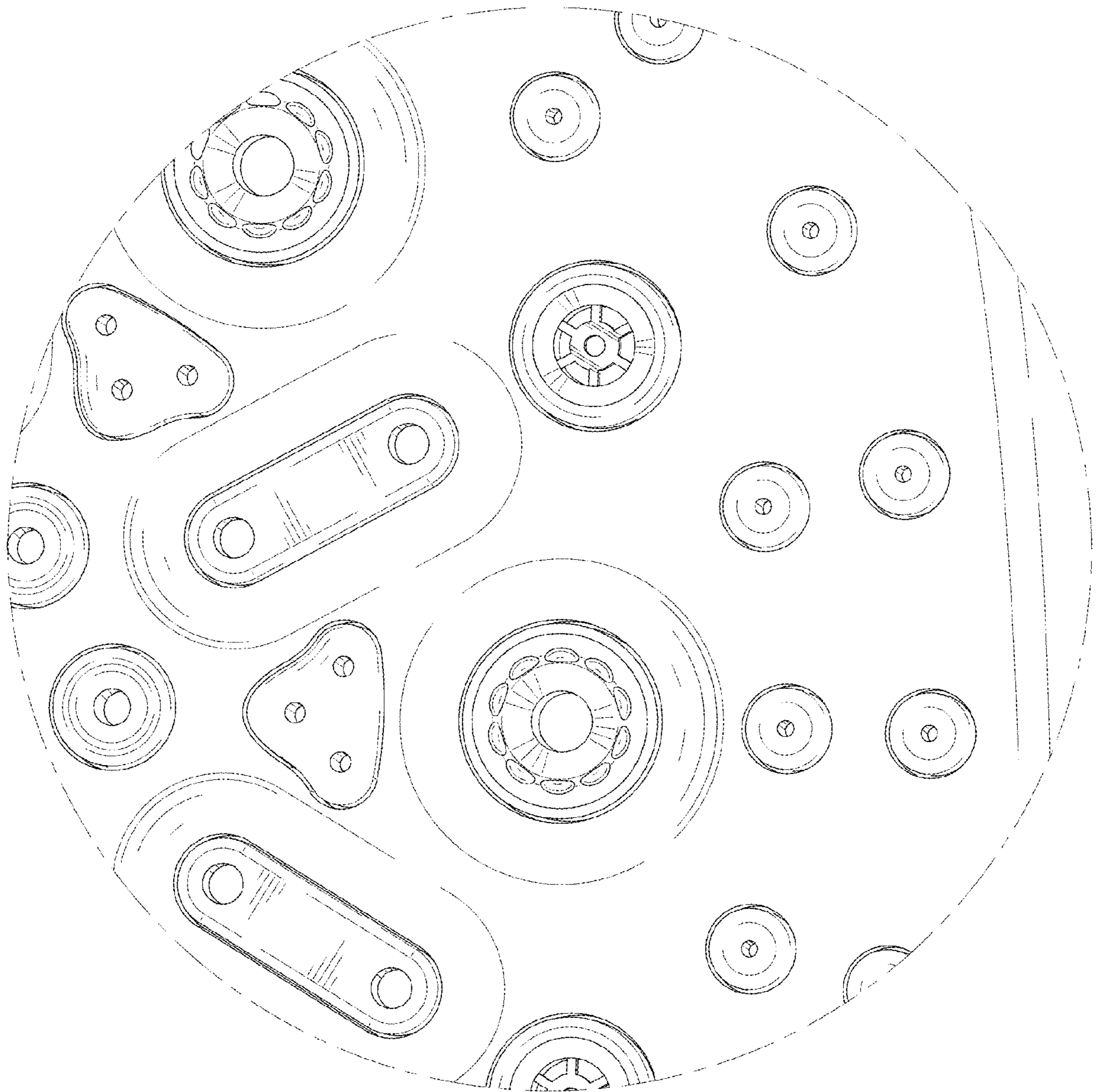


FIG. 9