



US00D979708S

(12) **United States Design Patent**
Hoenderboom et al.

(10) **Patent No.:** **US D979,708 S**
(45) **Date of Patent:** **** Feb. 28, 2023**

- (54) **SLOPE SCREEN SPRAY SYSTEM**
- (71) Applicant: **Nijhuis Water Technology B.V.**,
Doetinchem (NL)
- (72) Inventors: **Robin Jacques Vincent Hoenderboom**,
Dinxperlo (NL); **Randy Nienhuis**, Wehl
(NL); **Hendrik Willem Herman**
Menkveld, Vorden (NL)
- (73) Assignee: **Nijhuis Water Technology B.V.**,
Doetinchem (NL)
- (**) Term: **15 Years**
- (21) Appl. No.: **29/703,690**
- (22) Filed: **Aug. 29, 2019**
- (51) **LOC (14) Cl.** **23-01**
- (52) **U.S. Cl.**
USPC **D23/214**
- (58) **Field of Classification Search**
USPC D23/213, 214, 215, 221-222, 223, 224,
D23/226, 229, 230
CPC A61H 9/0021; A61H 33/00; B05B 1/00;
B05B 1/14; B05B 1/185; B05B 1/08;
B05B 1/02; B05B 1/26; B05B 12/002;
B05B 1/18; B05B 9/01
See application file for complete search history.

- (56) **References Cited**
U.S. PATENT DOCUMENTS

D315,395 S * 3/1991 Clivio D23/216
D470,218 S * 2/2003 Alkalay D23/216
(Continued)

OTHER PUBLICATIONS

Slant screen solid liquid separator poultry manure dewatering machine by Zhehan, Apr. 15, 2019, youtube.com, Mar. 21, 2022. URL: <https://www.youtube.com/watch?v=s-3FG0wk1y8> (Year: 2019).*

(Continued)

Primary Examiner — Keith J Wilson
(74) *Attorney, Agent, or Firm* — N.V. Nederlandsch Octrooibureau

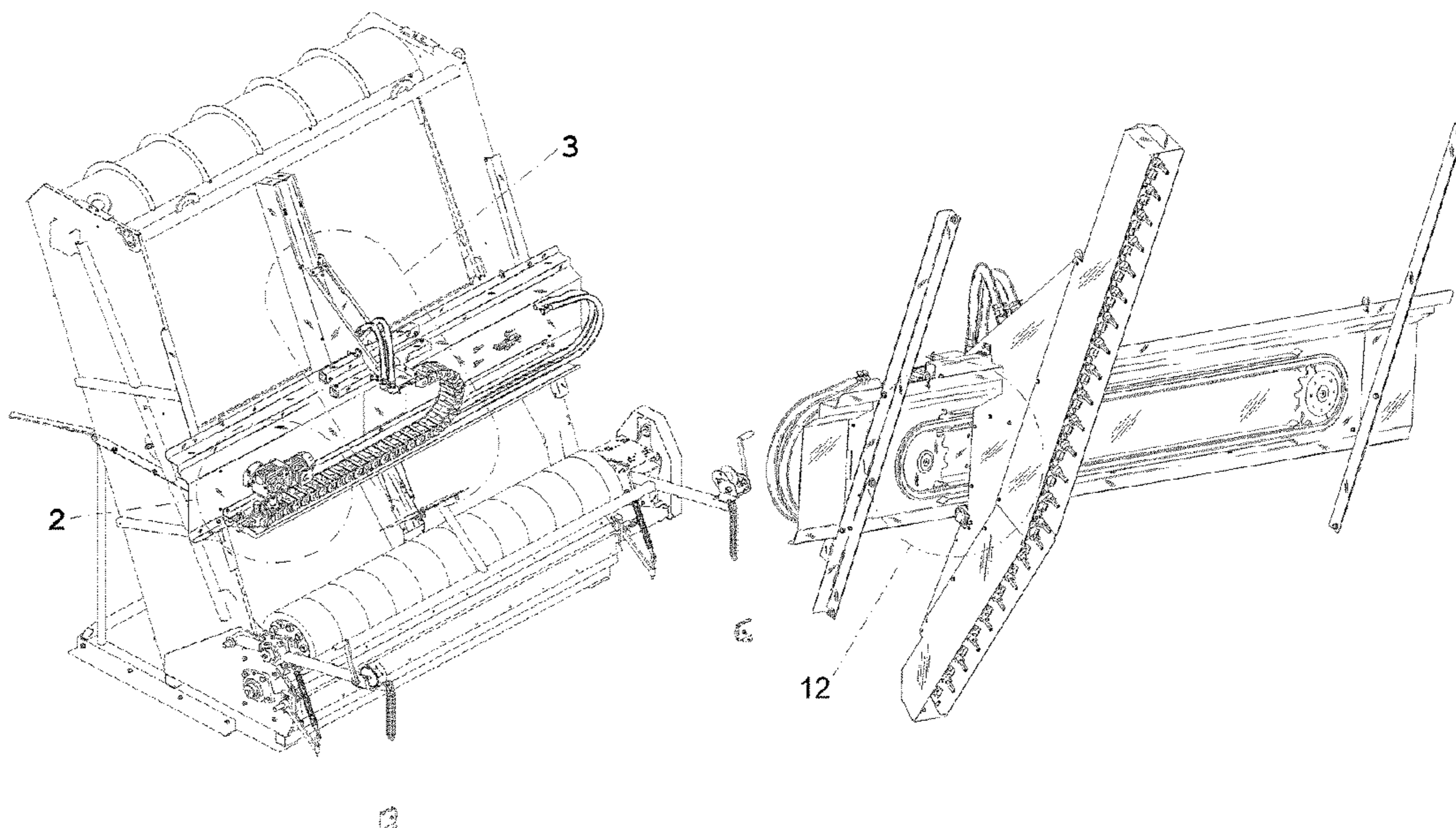
(57) **CLAIM**

The ornamental design for a slope screen spray system, as shown and described.

DESCRIPTION

FIG. 1 is a perspective view of a first embodiment of a slope screen spray system in a sieve system in accordance with the present invention;
FIG. 2 is an enlarged view of section 2 of FIG. 1;
FIG. 3 is an enlarged view of section 3 of FIG. 1;
FIG. 4 is a top view of the slope screen spray system in a sieve system of FIG. 1;
FIG. 5 is an enlarged view of section 5 of FIG. 4;
FIG. 6 is a front view of the slope screen spray system in a sieve system of FIG. 1;
FIG. 7 is an enlarged view of section 7 of FIG. 6;
FIG. 8 is a left side view of the slope screen spray system in a sieve system of FIG. 1;
FIG. 9 is an enlarged view of section 9 of FIG. 8;
FIG. 10 is a back view of the slope screen spray system in a sieve system of FIG. 1;
FIG. 11 is a perspective view of the back of the slope screen spray system in a sieve system of FIG. 1;
FIG. 12 is a detailed view of section 12 of FIG. 11;
FIG. 13 is a right side view of the slope screen spray system in a sieve system of FIG. 1;
FIG. 14 is an enlarged view of section 14 of FIG. 13; and,
FIG. 15 is a bottom view of the slope screen spray system in a sieve system of FIG. 1.
Broken lines show environmental structure and are not parts of the claimed design. They may be present or absent with the claimed design.

1 Claim, 14 Drawing Sheets



(56)

References Cited

U.S. PATENT DOCUMENTS

7,485,223 B2 * 2/2009 Eijt B01D 21/34
 210/522
 D609,781 S * 2/2010 Stadler D23/249
 D609,787 S * 2/2010 Stadler D23/249
 D610,654 S * 2/2010 Stadler D23/249
 D613,116 S * 4/2010 Roberts D7/407
 D616,070 S * 5/2010 Stadler D23/249
 D643,091 S * 8/2011 Yasuoka D23/207
 D645,118 S * 9/2011 Shepherd D23/213
 D769,411 S * 10/2016 Stowers D23/216
 9,764,338 B2 * 9/2017 Wang B05B 3/00
 9,987,573 B2 * 6/2018 Kluit B01D 33/722
 D886,947 S * 6/2020 Mo D23/223
 D898,866 S * 10/2020 Lauer B05B 3/044
 D23/214
 D912,276 S * 3/2021 Denton D25/56
 D921,154 S * 6/2021 Staedtler D23/249
 D937,385 S * 11/2021 Takeshita D23/214
 2009/0205631 A1 * 8/2009 Tsung F23D 14/045
 431/264
 2010/0154775 A1 * 6/2010 Robinson F23D 14/10
 431/354
 2018/0178238 A1 * 6/2018 Farra B05B 15/652

OTHER PUBLICATIONS

GEA Dairy Farming—Separation 2015—EN, Jul. 23, 2015, youtube.
 com. Mar. 21, 2022, Mar. 21, 2022, URL: <https://www.youtube.com/watch?v=1r-TQpSxAB4> (Year: 2019).*

* cited by examiner

Fig. 1

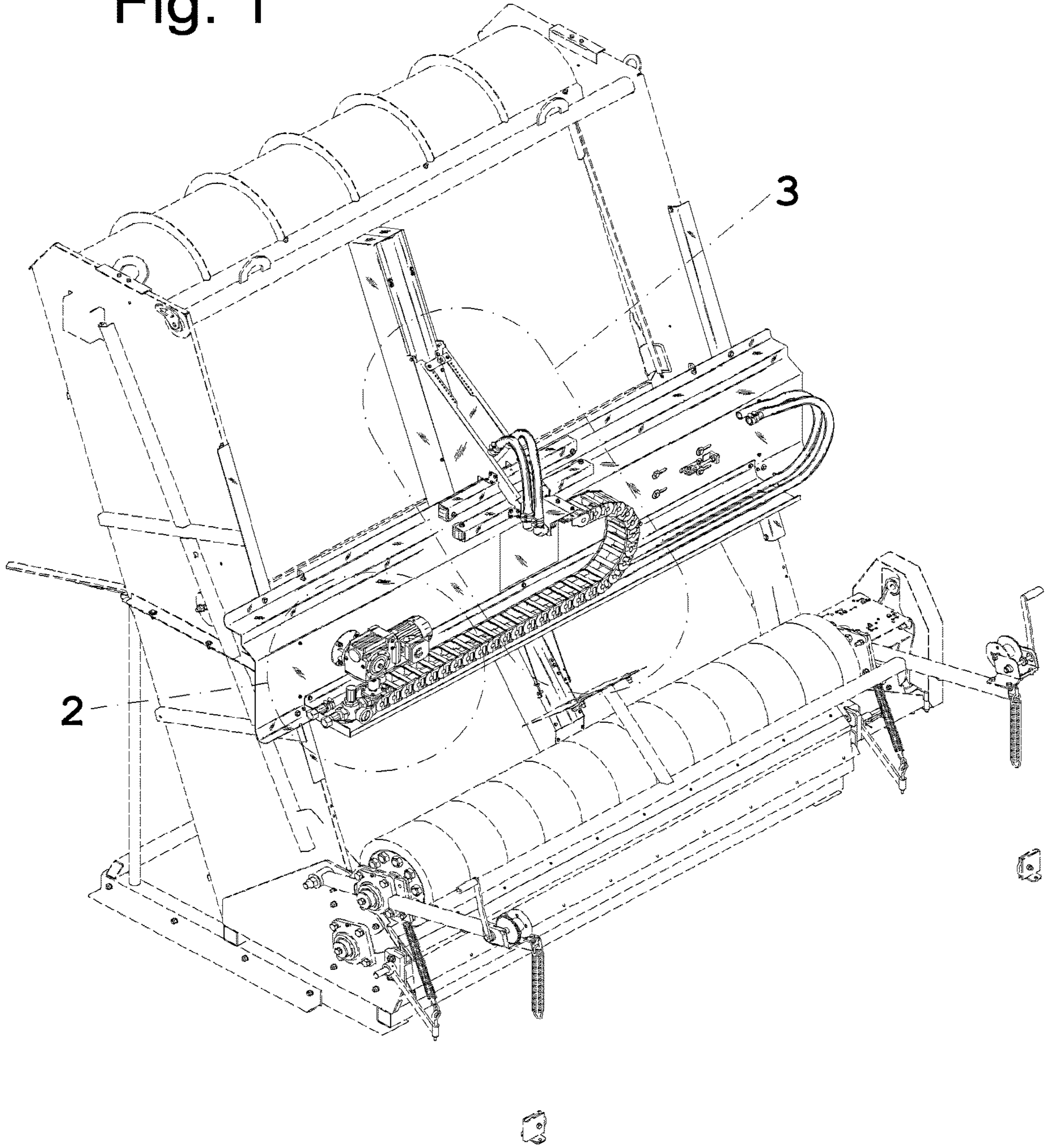


Fig. 2

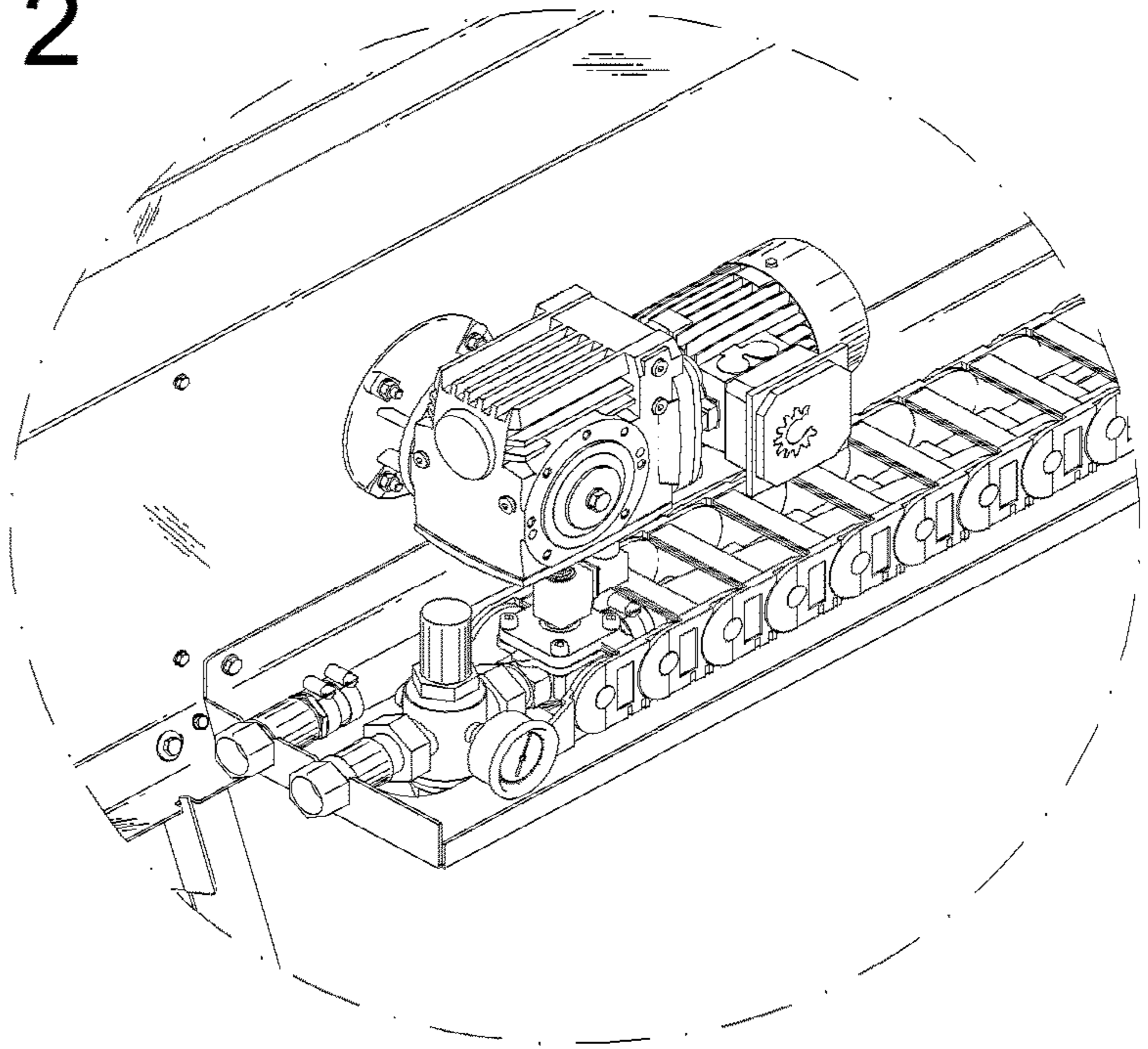


Fig. 3

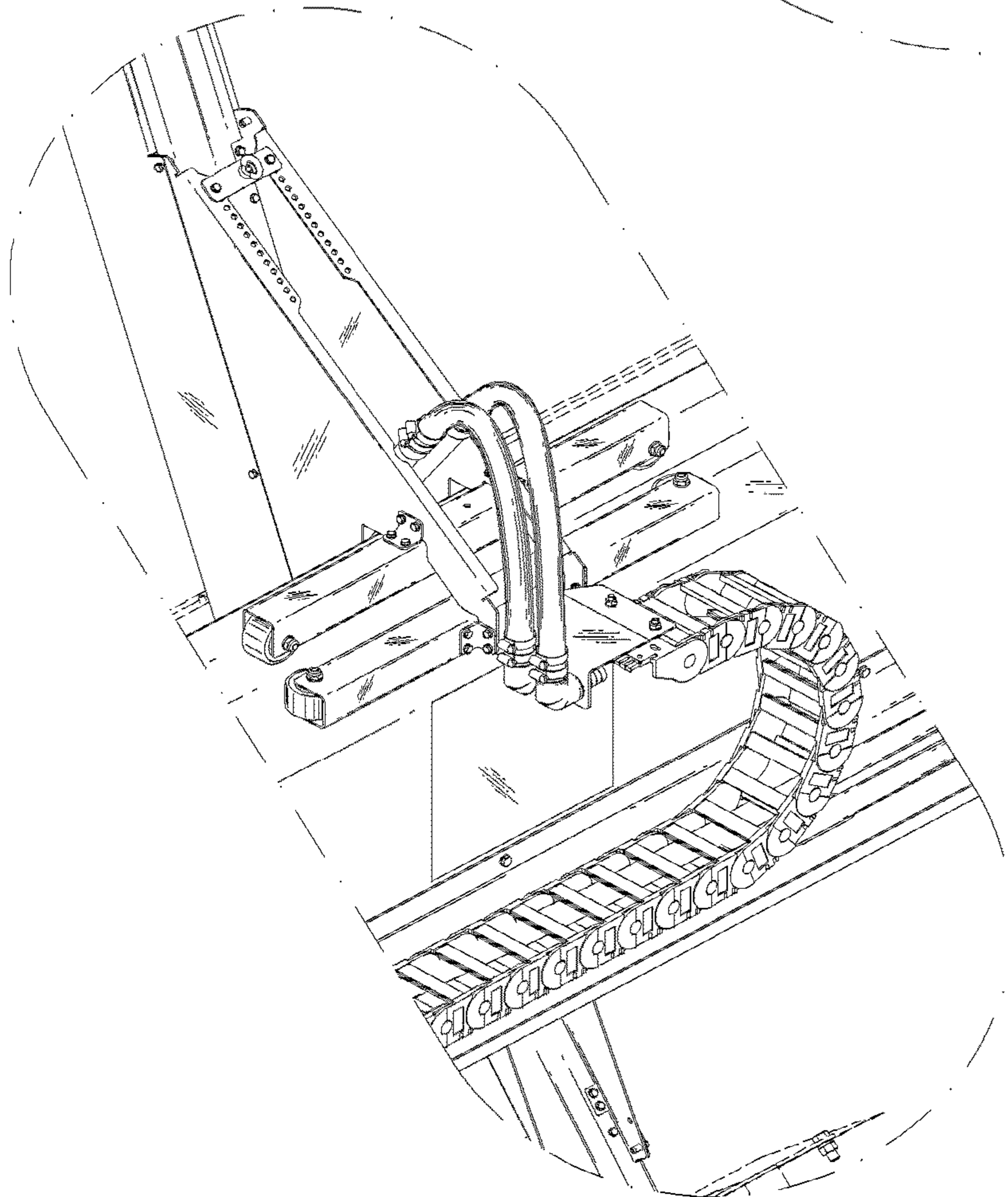


Fig. 4

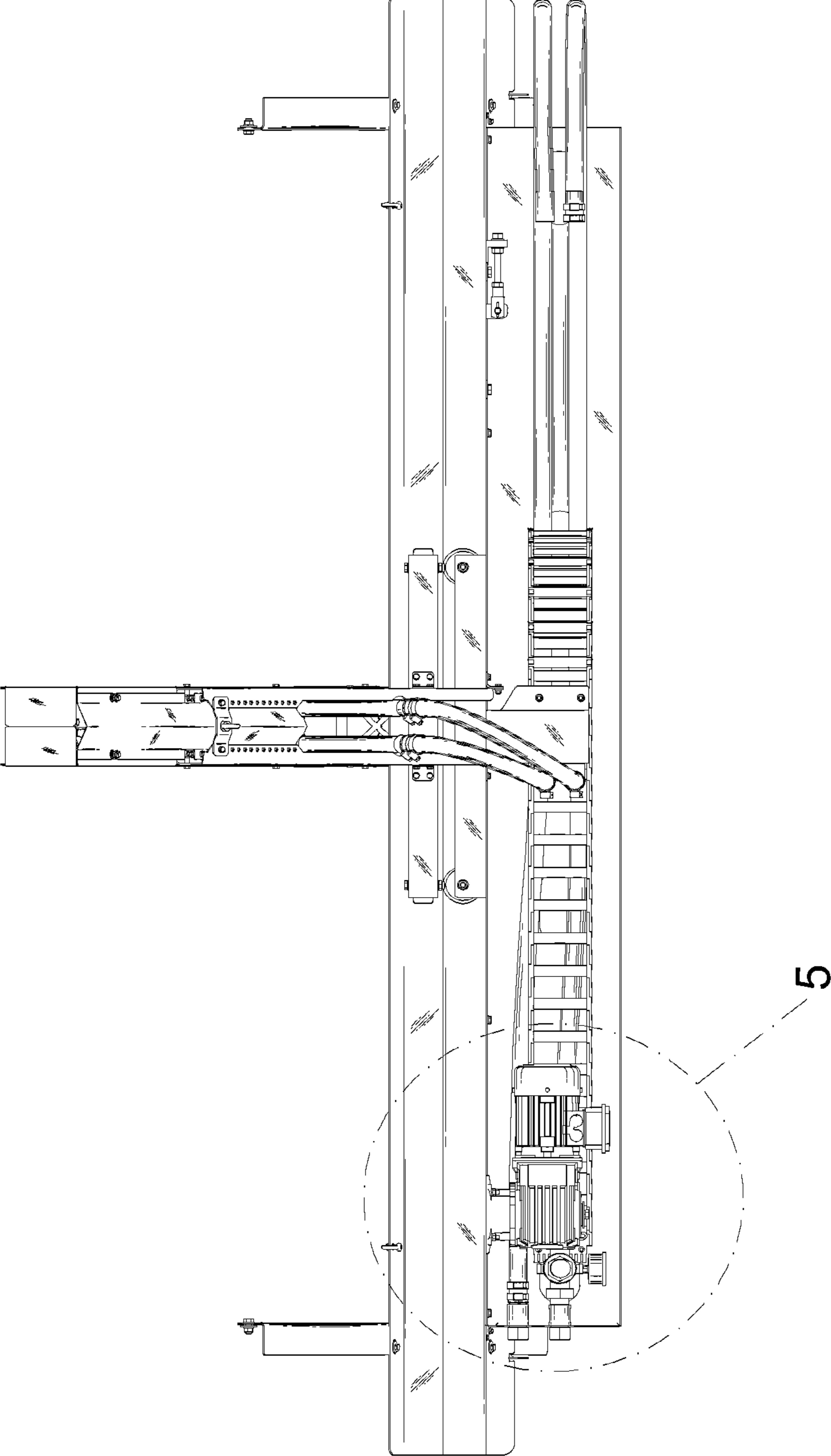
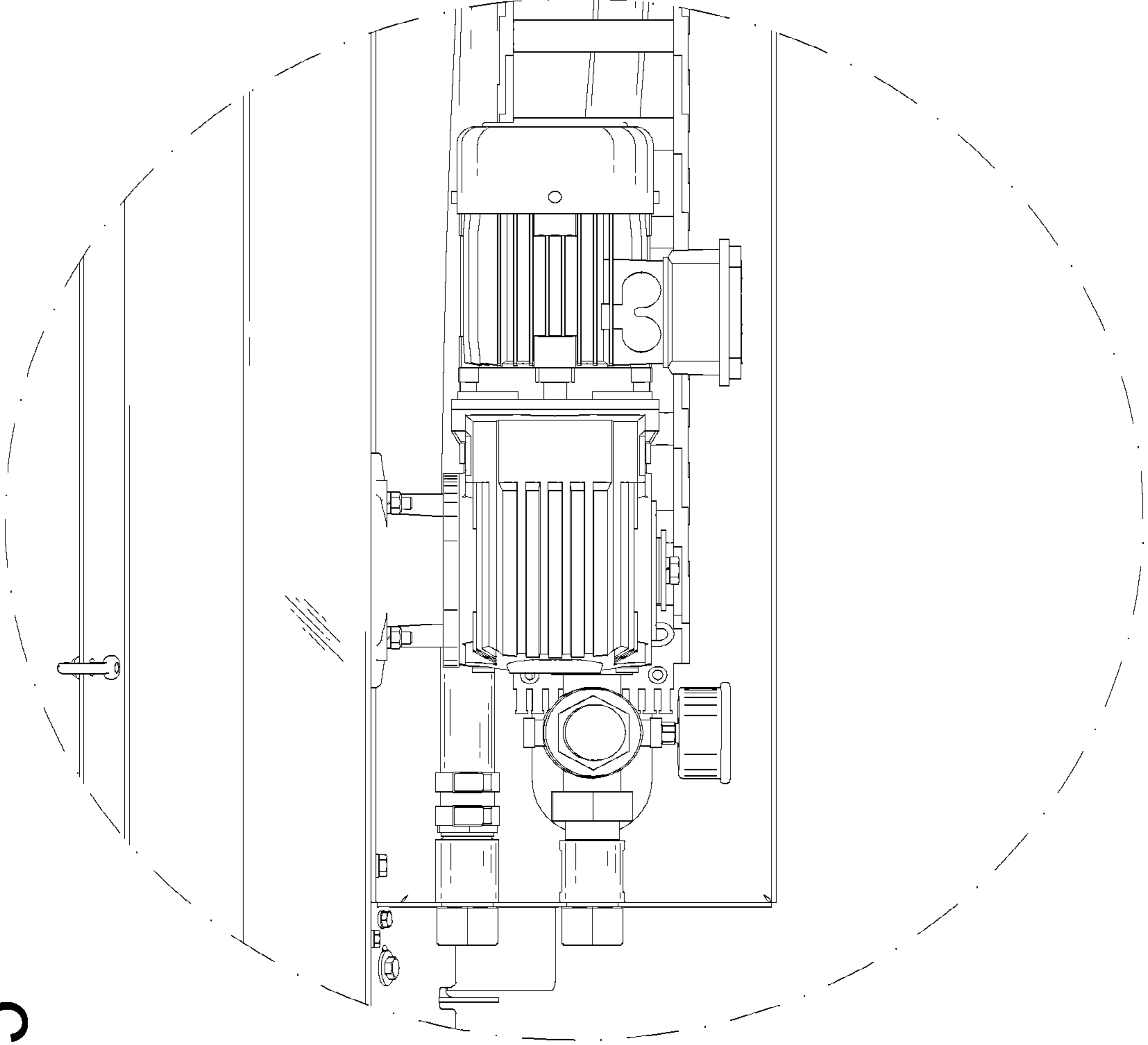


Fig. 5



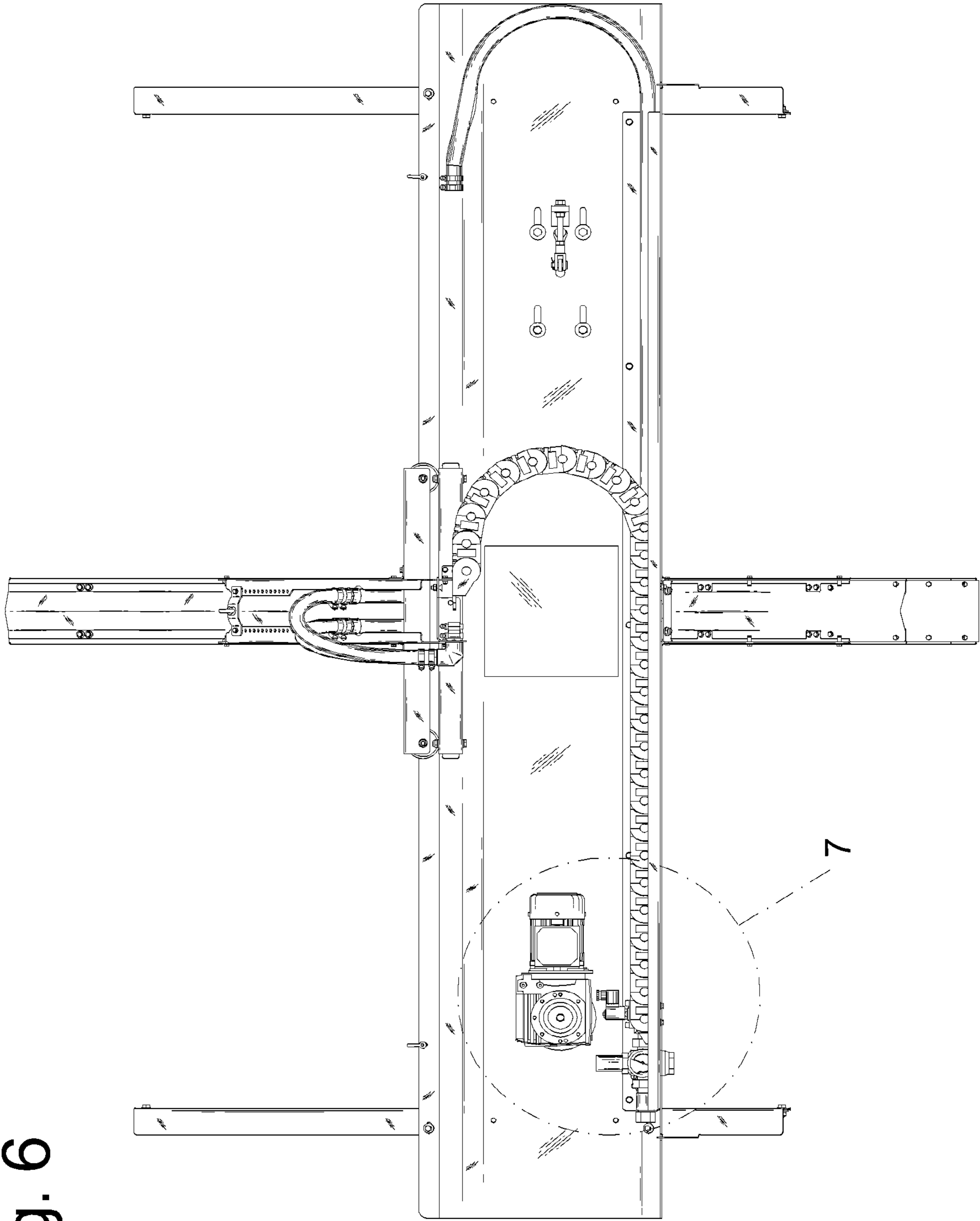
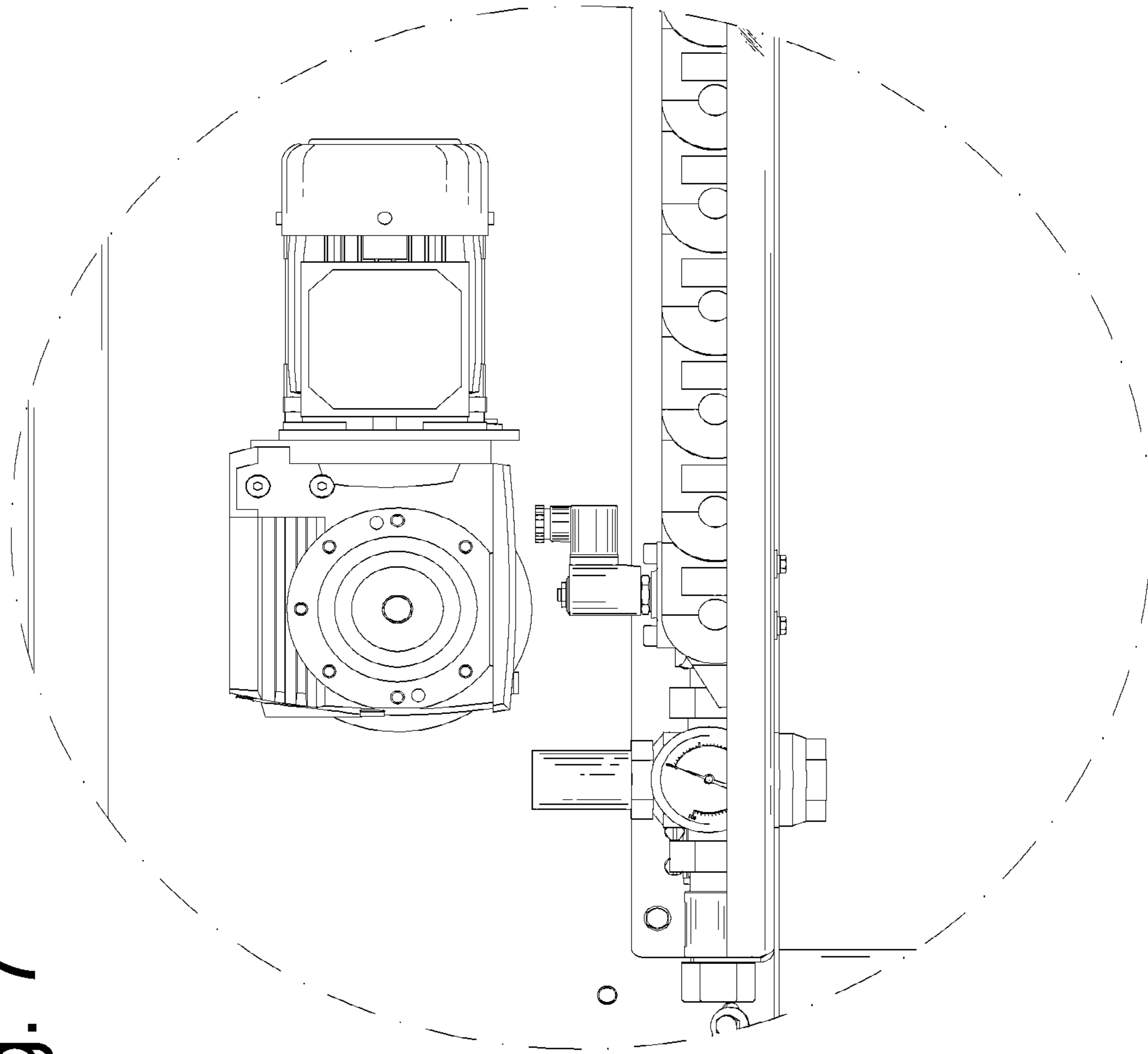


Fig. 6

Fig. 7



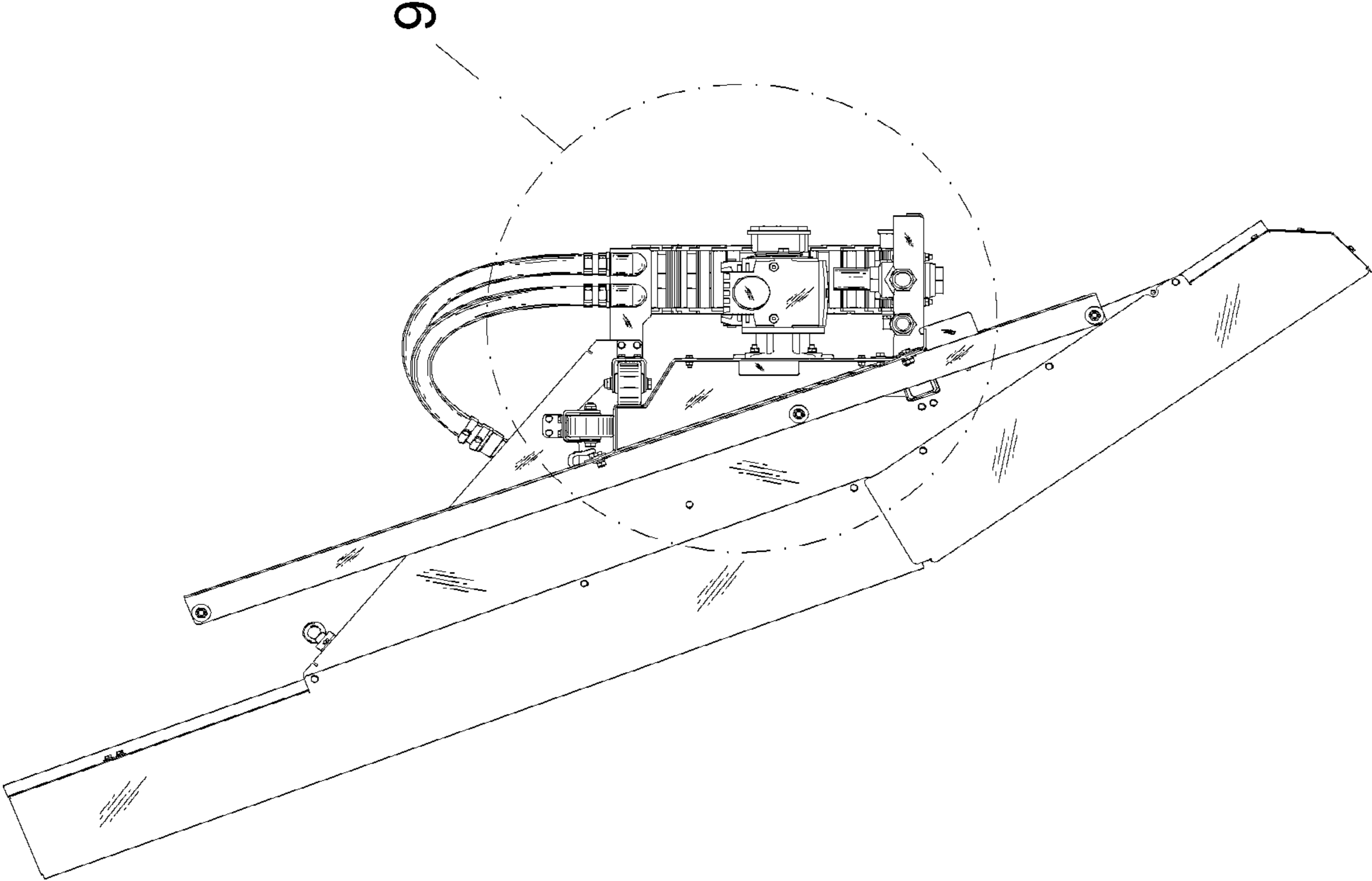


Fig. 8

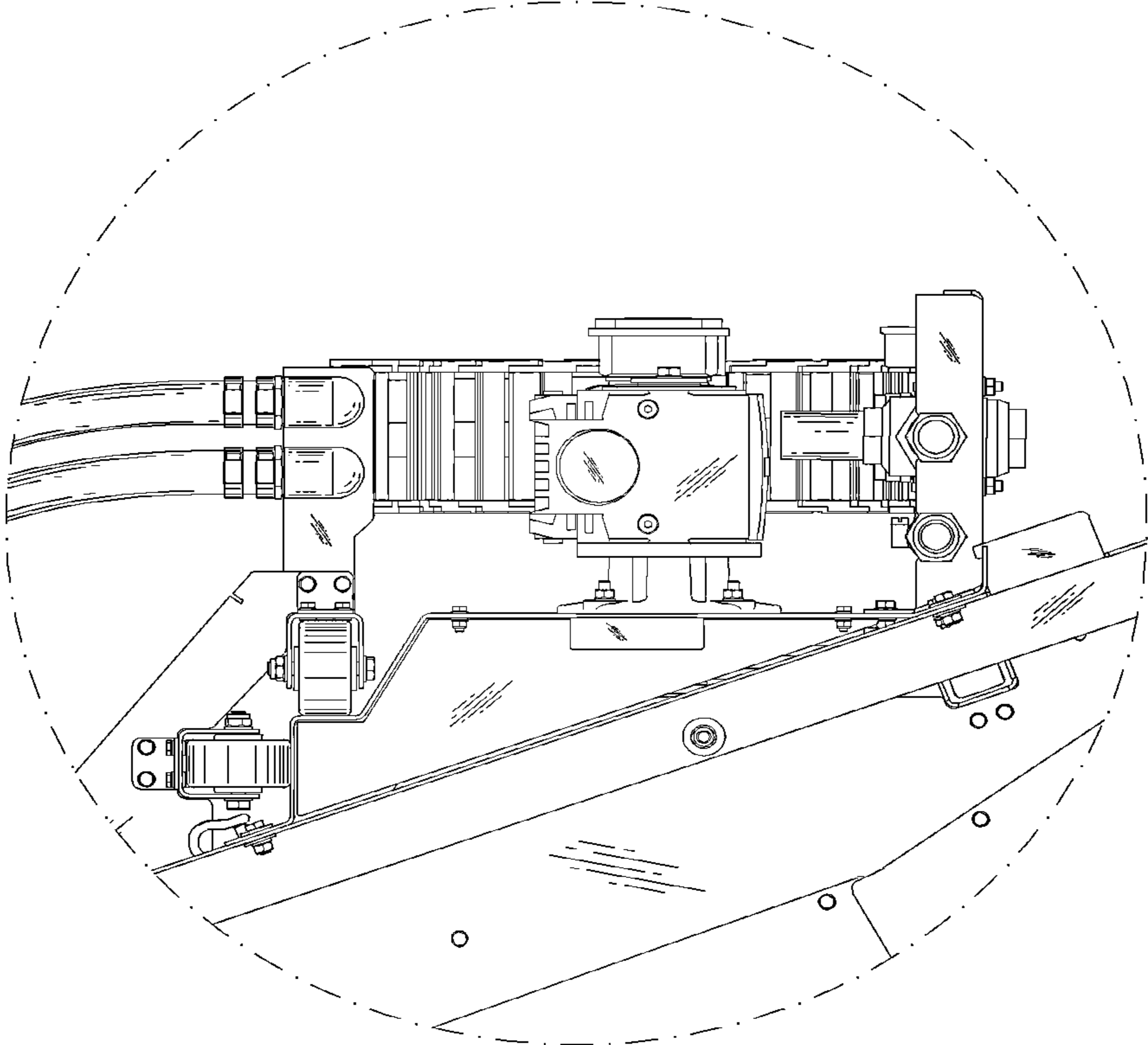


Fig. 9

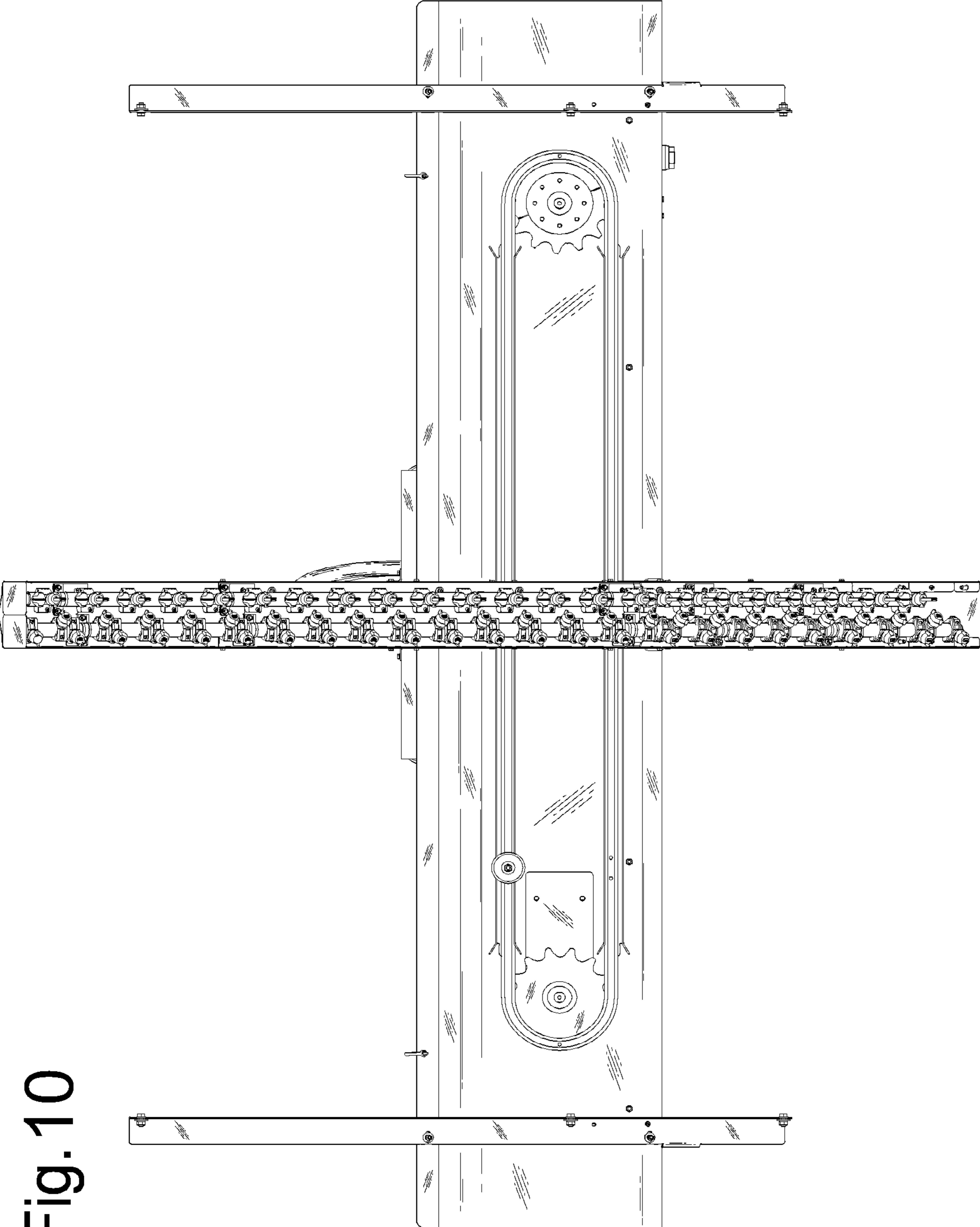


Fig. 10

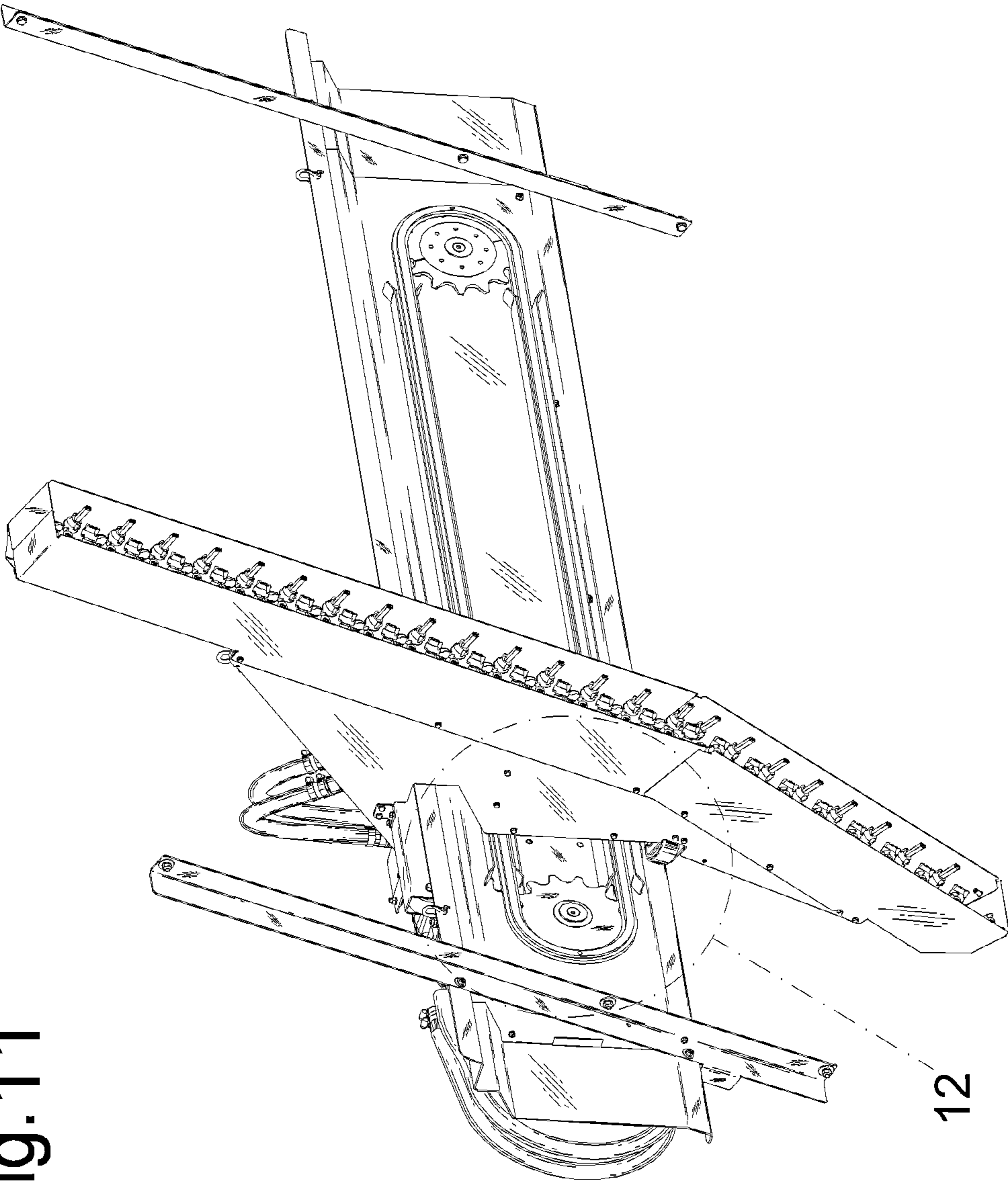


Fig. 11

12

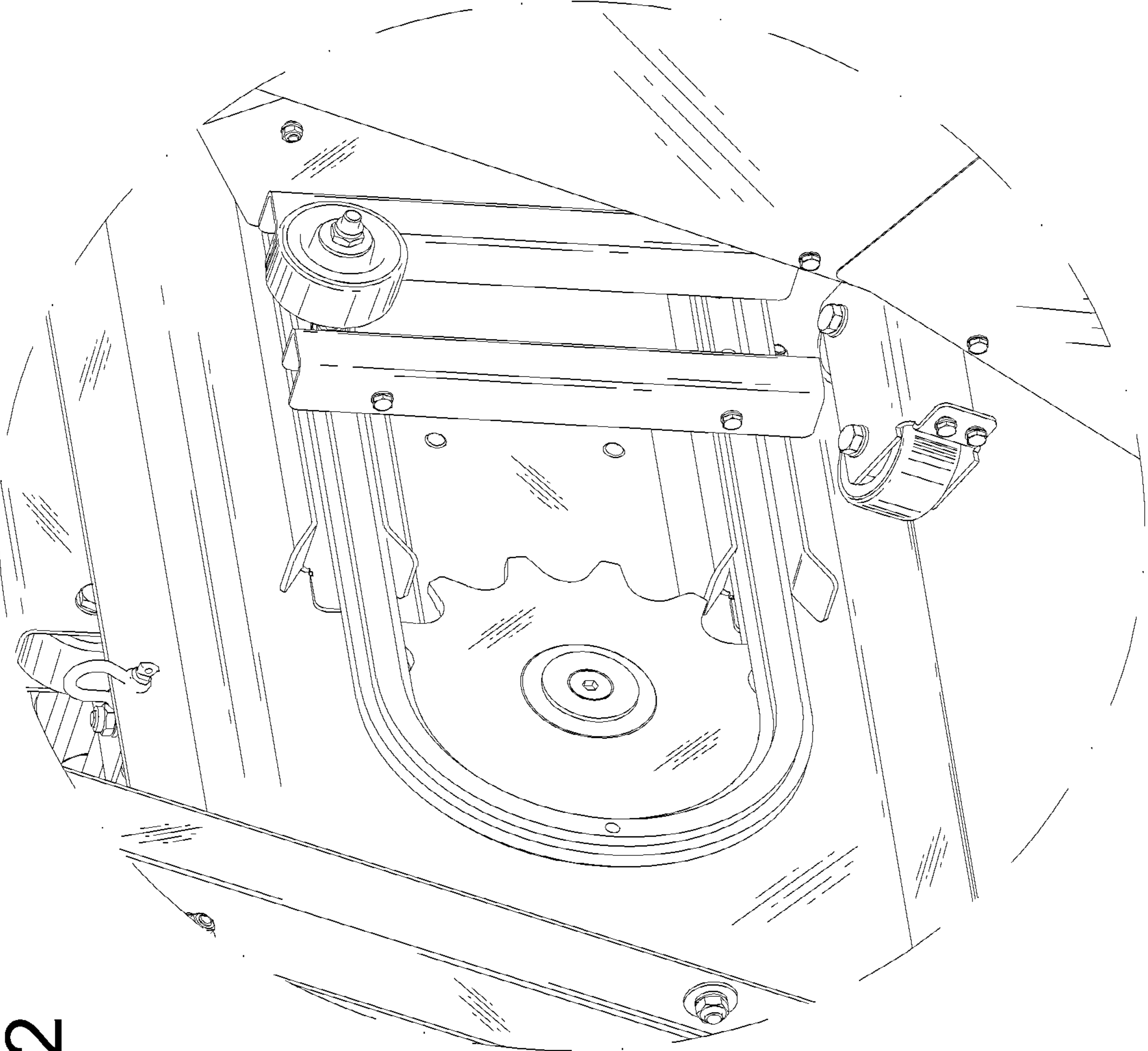


Fig. 12

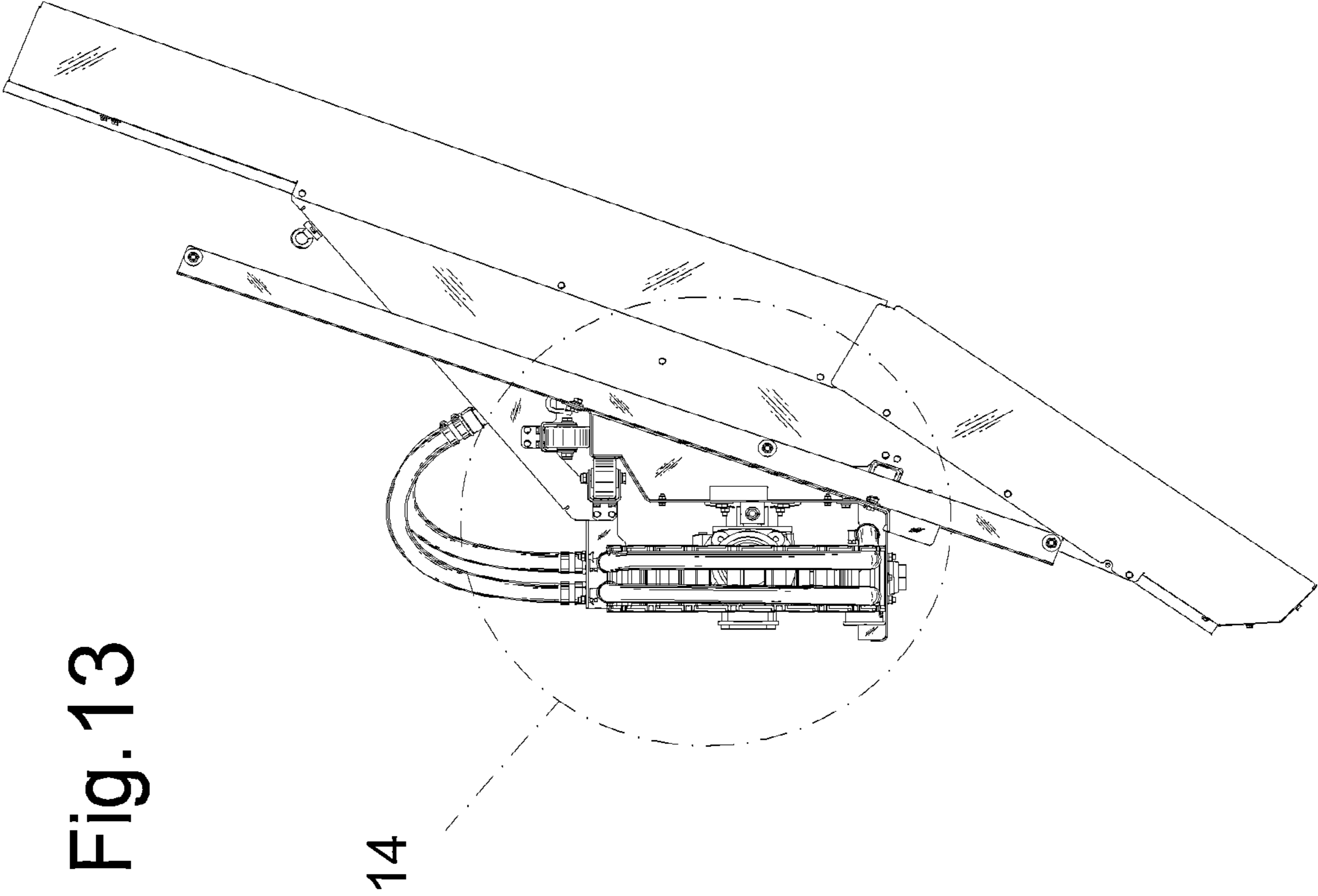


Fig. 13

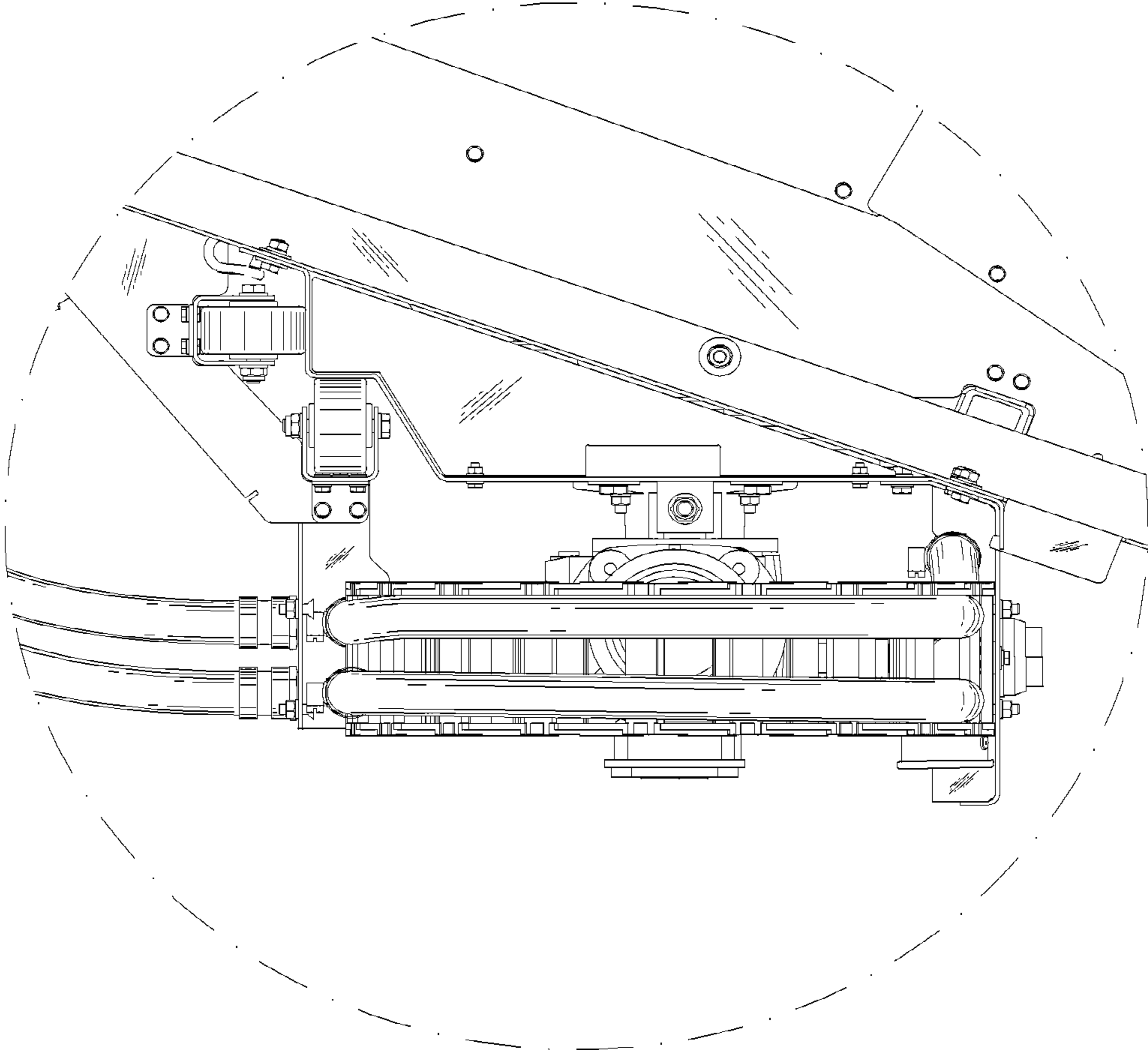


Fig. 14

Fig. 15

