



US00D979707S

(12) **United States Design Patent**
Chen

(10) **Patent No.:** **US D979,707 S**

(45) **Date of Patent:** **** Feb. 28, 2023**

- (54) **WATER SPRAYER CHARGING HANDLE**
- (71) Applicant: **SHIN TAI SPURT WATER OF THE GARDEN TOOLS CO., LTD**, Lukang Township, Changhua County (TW)
- (72) Inventor: **Chin-Yuan Chen**, Lukang Township, Changhua County (TW)
- (73) Assignee: **SHIN TAI SPURT WATER OF THE GARDEN TOOLS CO., LTD.**, Chang-Hua Hsien (TW)

D584,794 S *	1/2009	Lo	D23/223
D585,108 S *	1/2009	Cheng	D23/223
D615,156 S *	5/2010	Cheng	D23/226
D648,423 S *	11/2011	Corbett	D23/250
D880,658 S *	4/2020	Hicks	D23/249
D919,751 S *	5/2021	Chen	D23/226
D921,838 S *	6/2021	Chen	D23/226
D921,839 S *	6/2021	Chen	D23/226
D930,114 S *	9/2021	Huang	D23/213
D953,486 S *	5/2022	Rigolio	D23/226
D956,928 S *	7/2022	Eads	D23/257
D957,572 S *	7/2022	Huang	D23/223
D958,295 S *	7/2022	Elser	D23/238
D962,390 S *	8/2022	Svendsen	D23/223
D963,112 S *	9/2022	Duan	D23/225
D964,676 S *	9/2022	Lin	D32/25

(**) Term: **15 Years**

(21) Appl. No.: **29/825,937**

(22) Filed: **Feb. 7, 2022**

(51) **LOC (14) Cl.** **23-01**

(52) **U.S. Cl.**
USPC **D23/213**

(58) **Field of Classification Search**
USPC D8/2; D14/344; D23/206, 213-215,
D23/223, 225-226, 229, 232, 238, 243,
D23/249-250, 283

CPC B05B 5/025; B05B 5/03; B05B 7/0018;
B05B 7/02; B05B 7/064; B05B 7/129;
B05B 7/2475; B05B 15/63

See application file for complete search history.

(56) **References Cited**

U.S. PATENT DOCUMENTS

D412,966 S *	8/1999	Albea	D23/233
D442,672 S *	5/2001	Lord	D23/250
D494,656 S *	8/2004	Hudman	D23/226
D541,377 S *	4/2007	Chen	D23/223

* cited by examiner

Primary Examiner — Karen S Acker

Assistant Examiner — Jonathan E Fiencke

(57) **CLAIM**

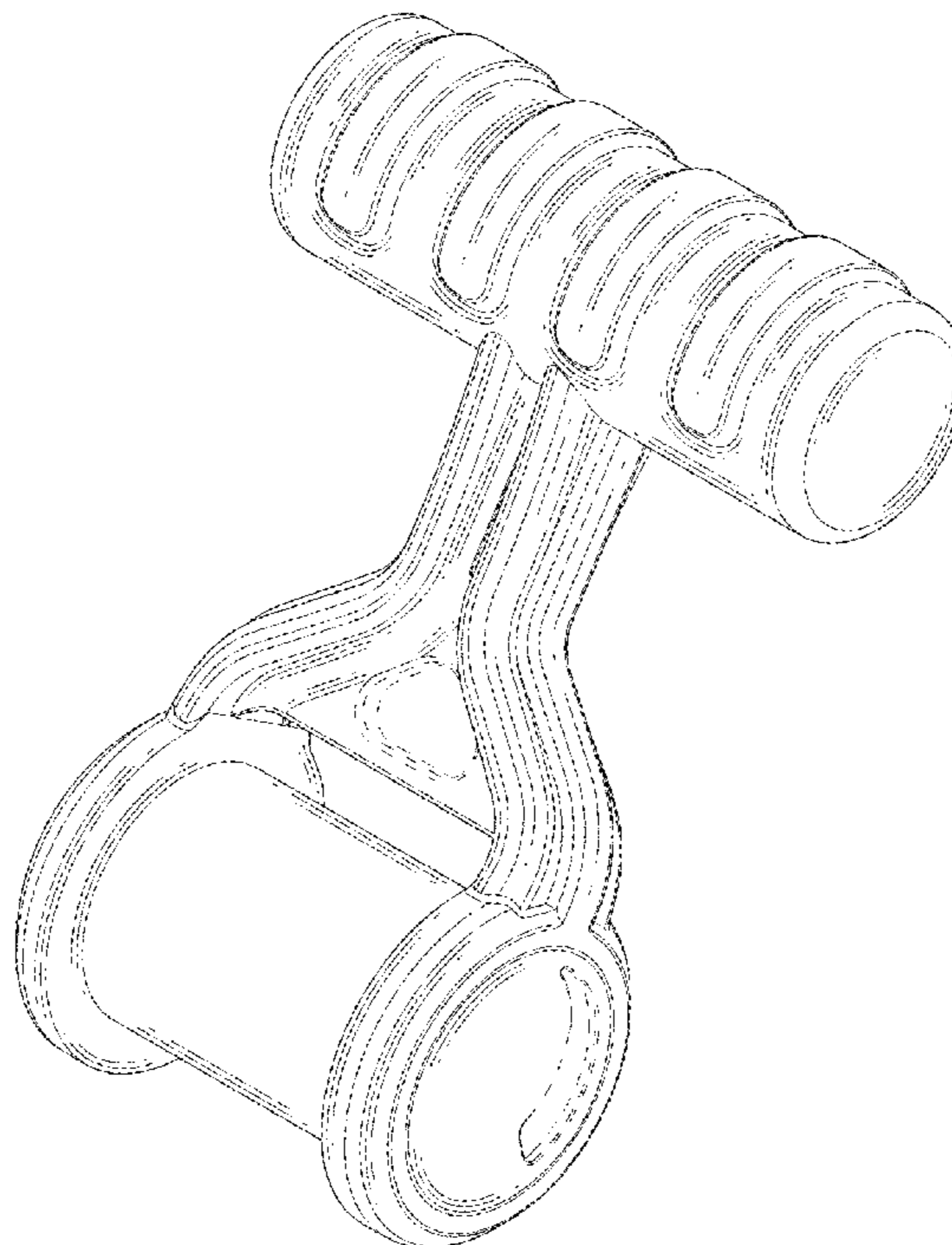
The ornamental design for a water sprayer charging handle, as shown and described.

DESCRIPTION

FIG. 1 is a perspective view of a water sprayer charging handle showing my new design;
FIG. 2 is a front elevational view thereof;
FIG. 3 is a rear elevational view thereof;
FIG. 4 is a left side elevational view thereof;
FIG. 5 is a right side elevational view thereof;
FIG. 6 is a top plan view thereof; and,
FIG. 7 is a bottom plan view thereof.

The broken lines depict portions of the water sprayer charging handle that form no part of the claimed design.

1 Claim, 4 Drawing Sheets



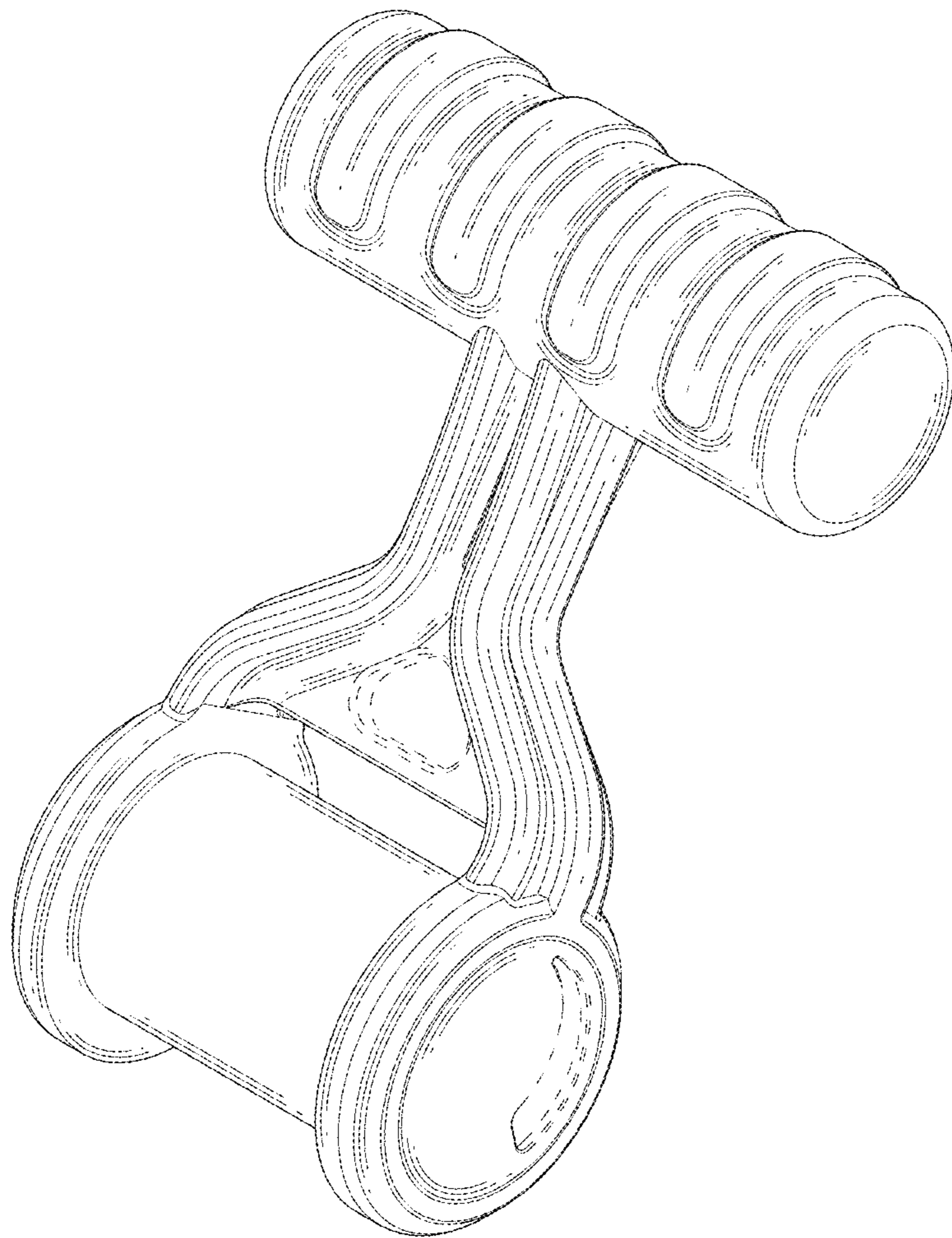


FIG.1

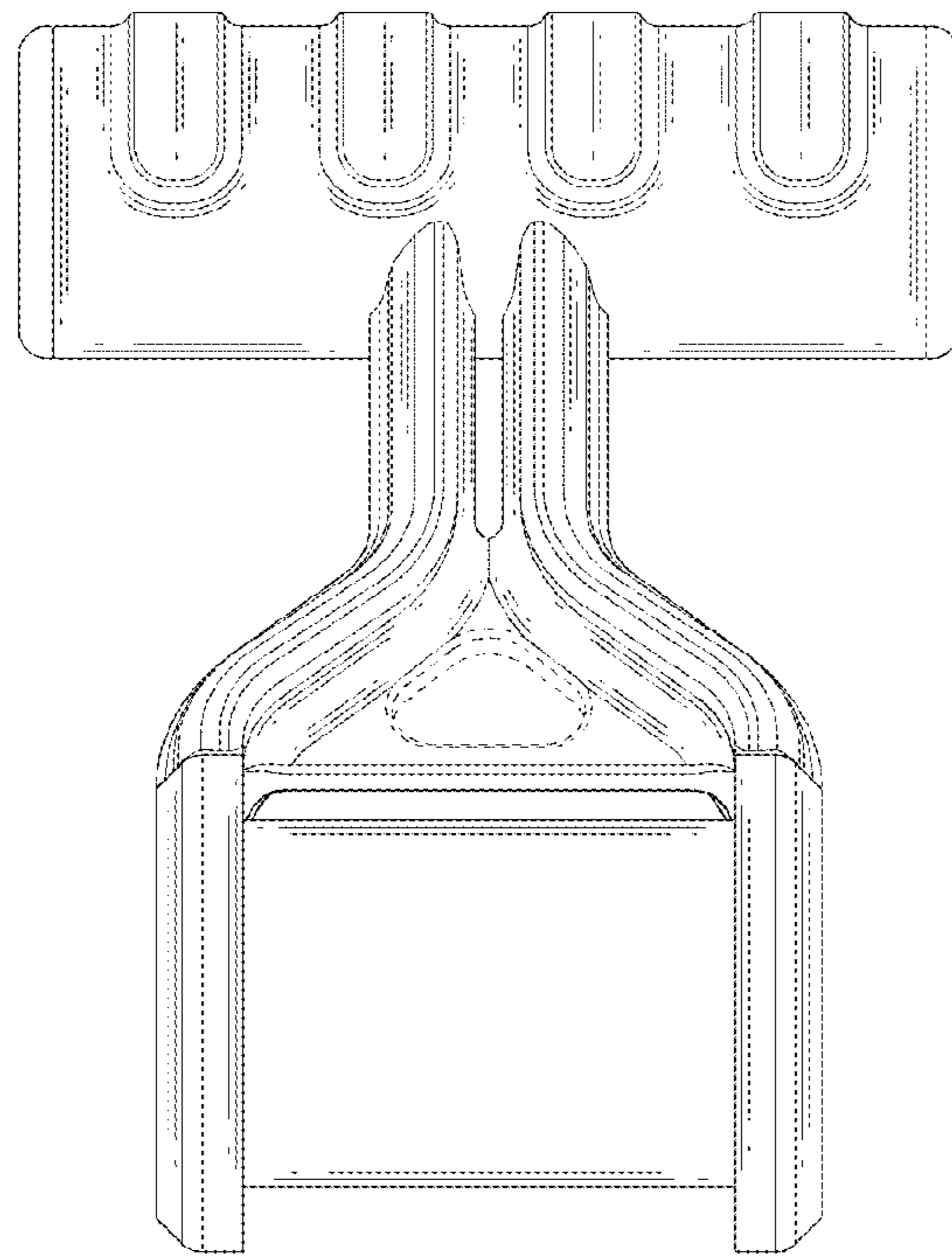


FIG. 2

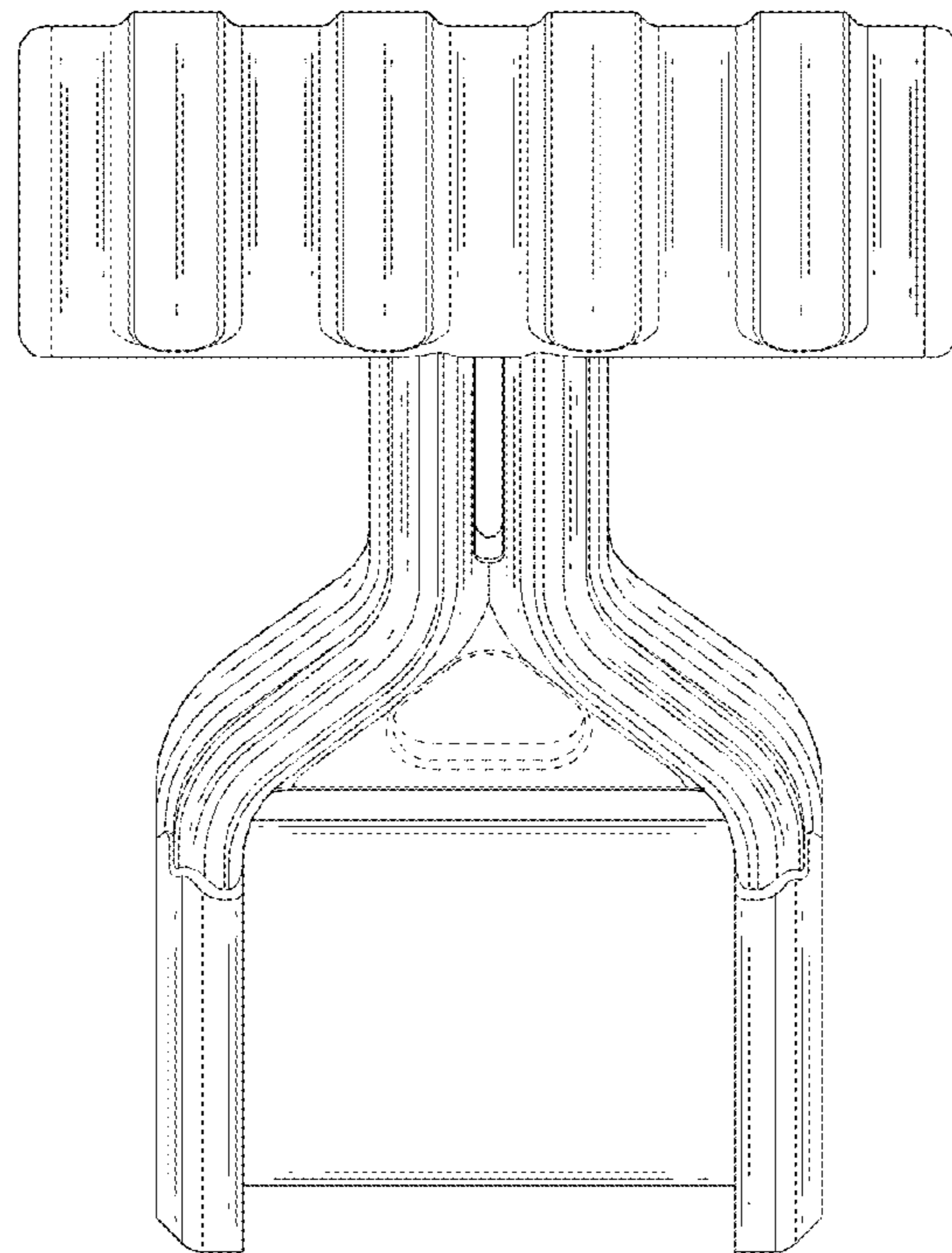


FIG. 3

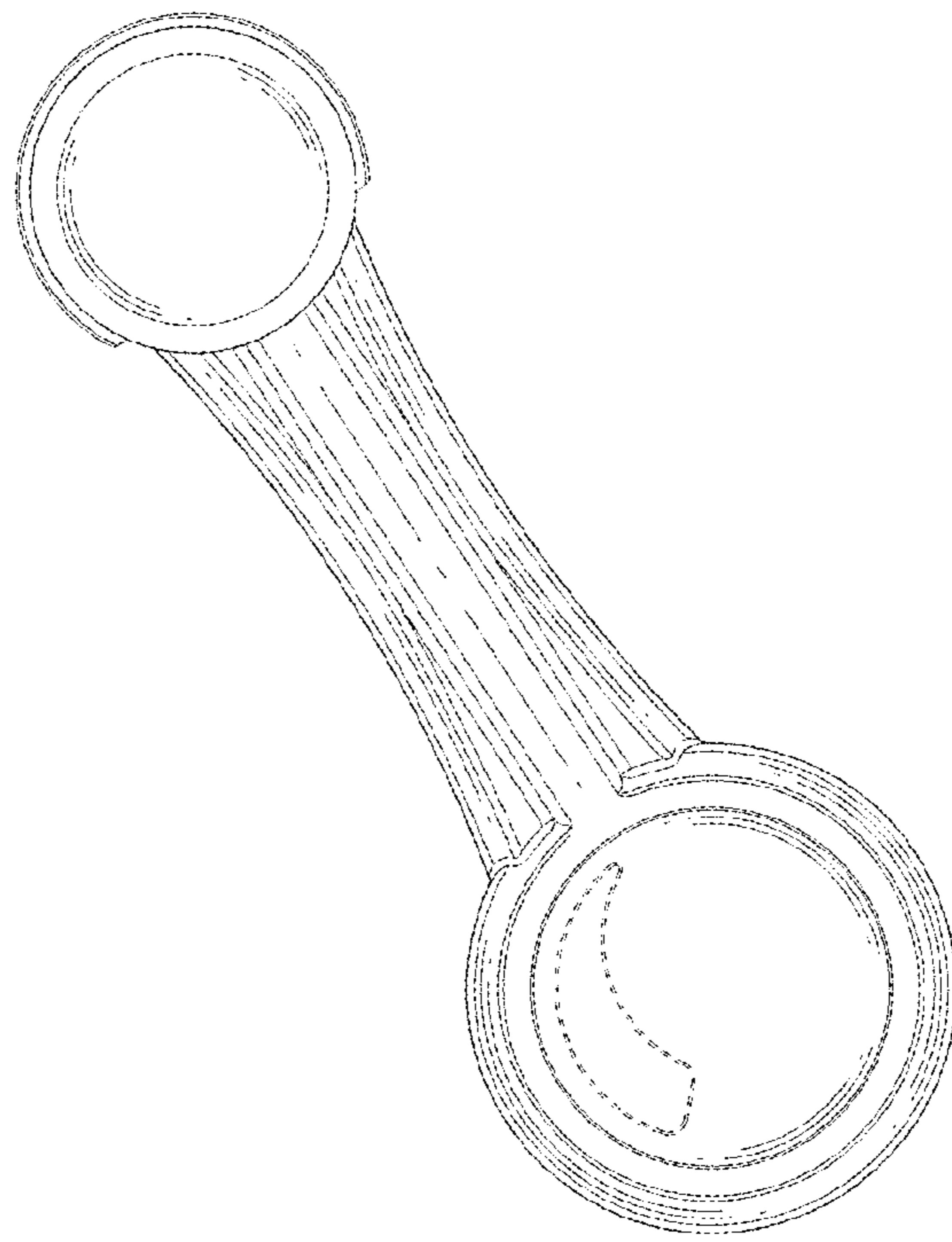


FIG.4

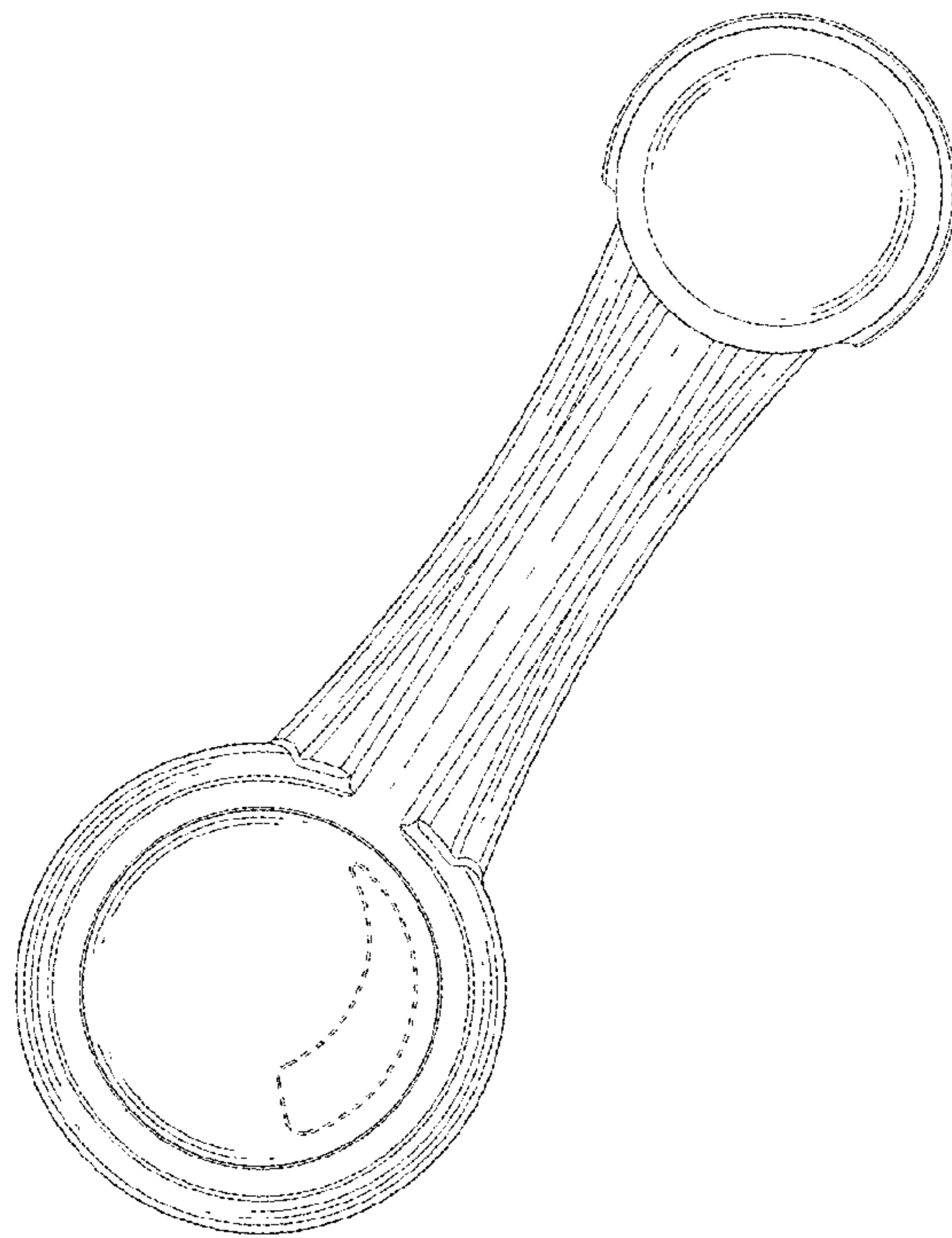


FIG.5

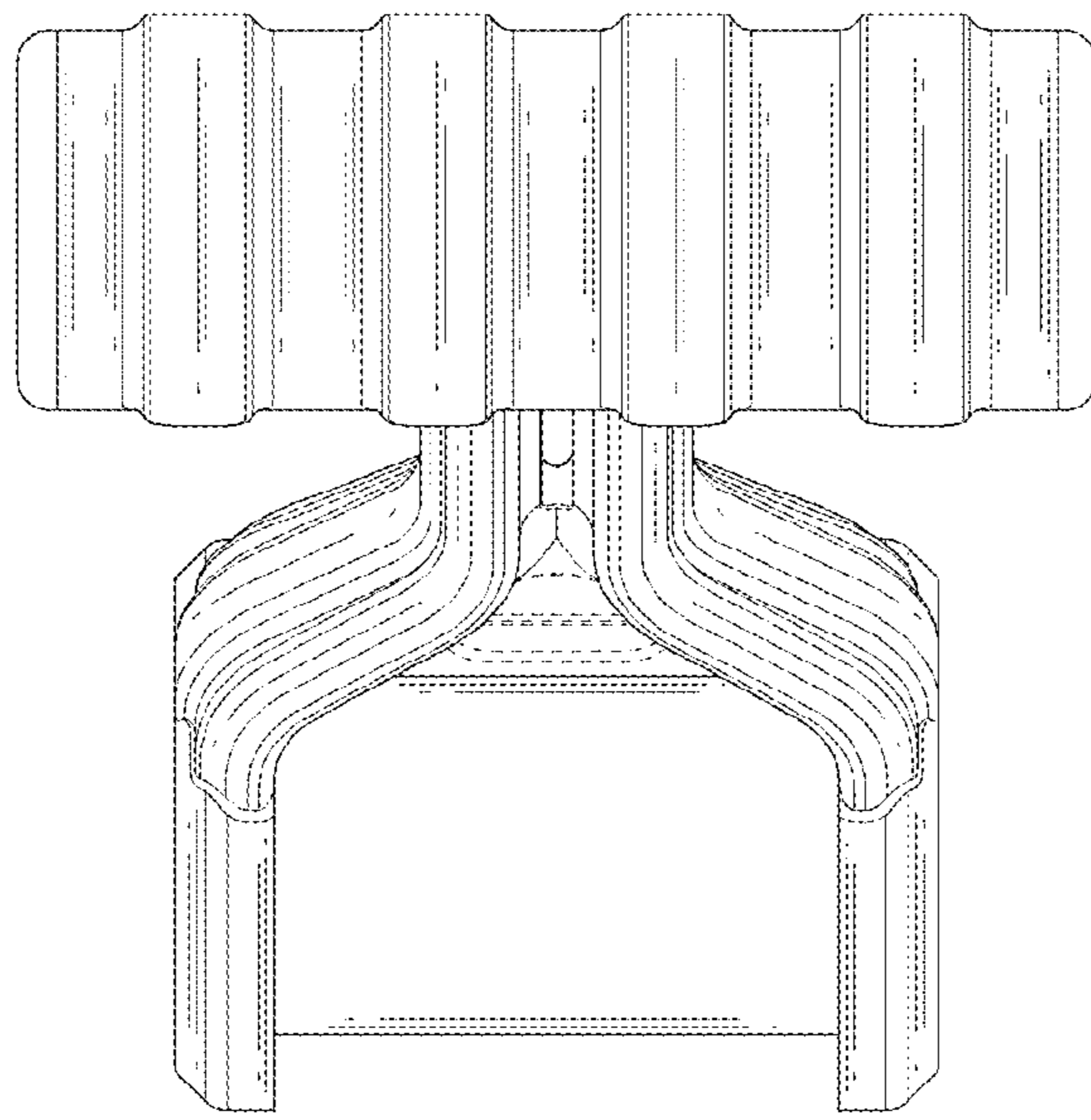


FIG.6

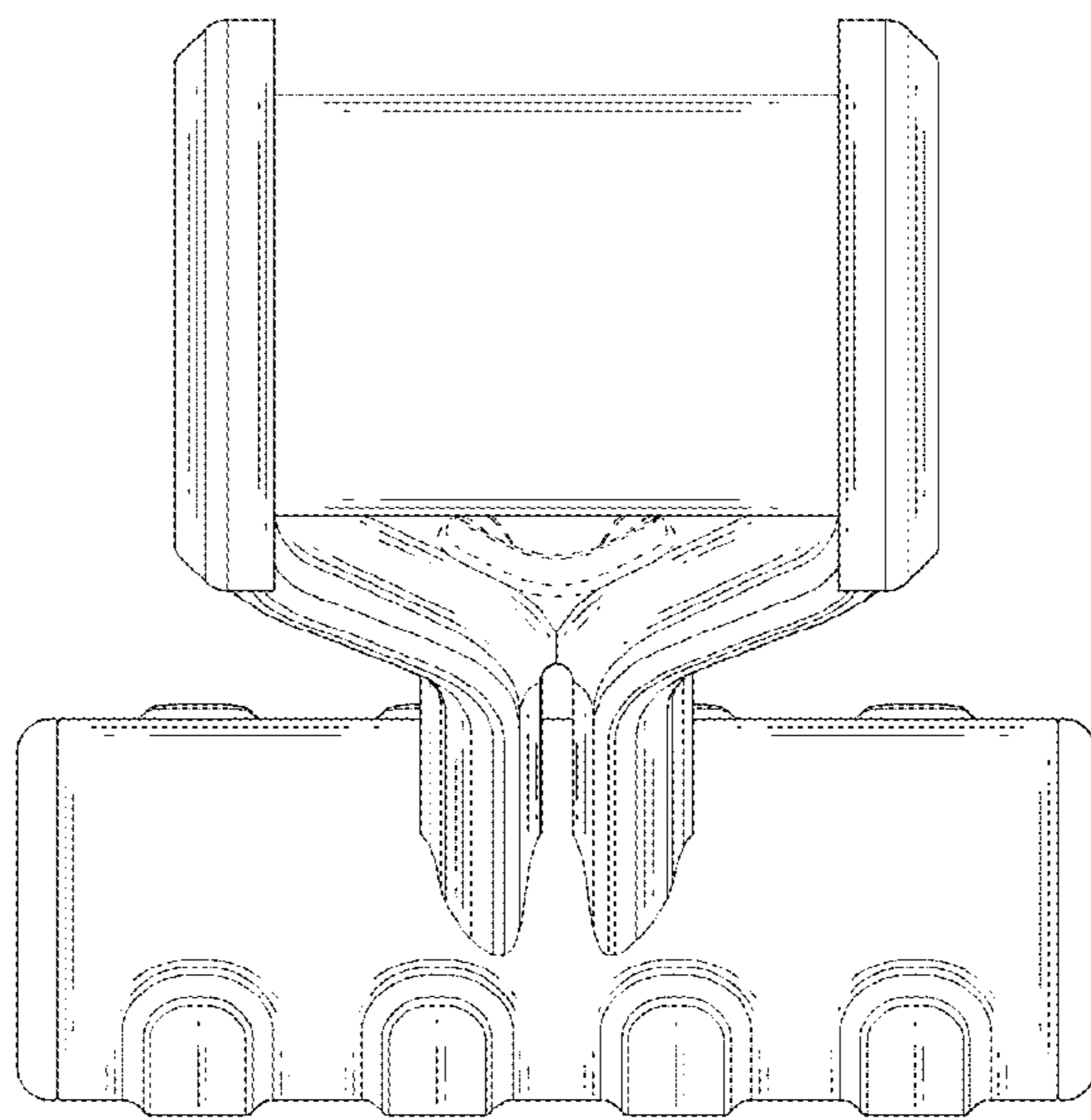


FIG.7