

US00D979703S

(12) **United States Design Patent** (10) **Patent No.:** **US D979,703 S**
Furuya (45) **Date of Patent:** **** Feb. 28, 2023**

(54) **FISHING REEL PORTION**

(71) Applicant: **Shimano Inc.**, Osaka (JP)

(72) Inventor: **Nobuo Furuya**, Osaka (JP)

(73) Assignee: **Shimano Inc.**, Osaka (JP)

(**) Term: **15 Years**

(21) Appl. No.: **29/726,032**

(22) Filed: **Feb. 28, 2020**

(30) **Foreign Application Priority Data**

Oct. 25, 2019 (JP) 2019-023777

(51) **LOC (14) Cl.** **22-05**

(52) **U.S. Cl.**
USPC **D22/141**

(58) **Field of Classification Search**
USPC D22/140–141, 134
CPC A01K 89/00; A01K 89/09; A01K 89/004;
A01K 89/006; A01K 89/015; A01K
89/0183; A01K 89/0192; A01K 89/01121;
B65H 57/04; B65H 75/4413
See application file for complete search history.

(56) **References Cited**

U.S. PATENT DOCUMENTS

D540,419 S	4/2007	Nago	
D724,174 S *	3/2015	Nago	D22/140
D916,230 S *	4/2021	Umezawa	D22/140
D965,735 S *	10/2022	Duda, III	D22/141

(Continued)

FOREIGN PATENT DOCUMENTS

JP	D1448994 S	8/2012
JP	D1623736 S	2/2019

Primary Examiner — Catherine R Oliver-Garcia

(74) *Attorney, Agent, or Firm* — Global IP Counselors, LLP

(57) **CLAIM**

An ornamental design for a fishing reel portion, as shown and described.

DESCRIPTION

FIG. 1 is a first perspective view of a fishing reel that includes a fishing reel portion in accordance with my new design;

FIG. 2 is a front elevational view of the fishing reel illustrated in FIG. 1 that includes the fishing reel portion;

FIG. 3 is a rear elevational view of the fishing reel illustrated in FIG. 1 that includes the fishing reel portion;

FIG. 4 is a top plan view of the fishing reel illustrated in FIG. 1 that includes the fishing reel portion;

FIG. 5 is a bottom plan view of the fishing reel illustrated in FIG. 1 that includes the fishing reel portion;

FIG. 6 is a first side elevational view of the fishing reel illustrated in FIG. 1 that includes the fishing reel portion but in which the fishing reel portion is completely hidden from sight;

FIG. 7 is a second side view of the fishing reel illustrated in FIG. 1 that includes the fishing reel portion;

FIG. 8 is a first enlarged, perspective view of a star drag of the fishing reel illustrated in FIG. 1 that includes the fishing reel portion;

FIG. 9 is a second enlarged, perspective view of the star drag illustrated in FIG. 8 that includes the fishing reel portion;

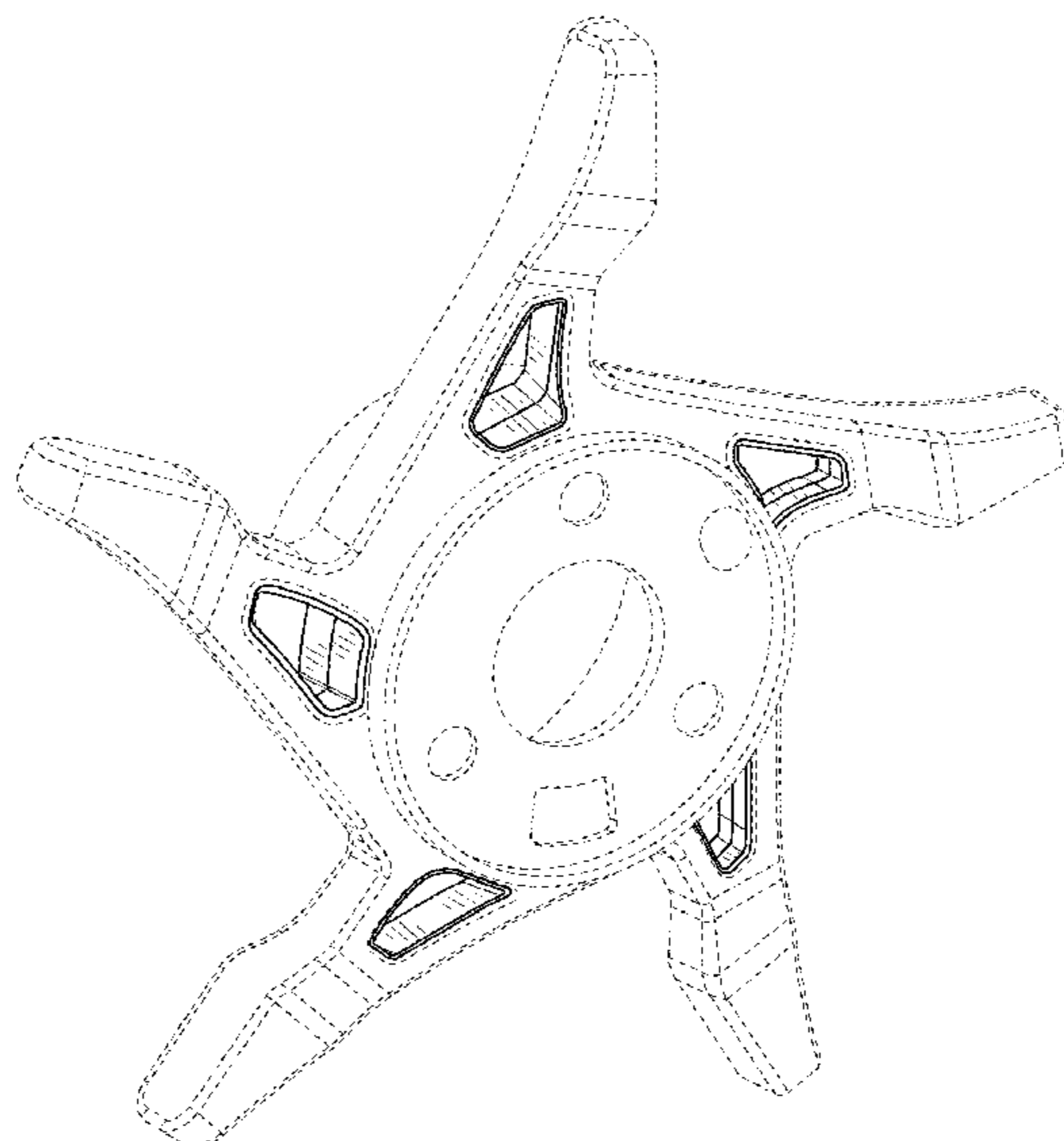
FIG. 10 is a front side elevational view of the star drag illustrated in FIG. 8 that includes the fishing reel portion;

and,

FIG. 11 is a rear side elevational view of the star drag illustrated in FIG. 8 that includes the fishing reel portion.

In the drawings, the broken line illustration of the environmental structure (the remaining structure of the fishing reel) in the drawings is not part of the claimed design. In other words, the broken line portion of the fishing reel does not form part of the claimed design.

1 Claim, 9 Drawing Sheets



(56)

References Cited

U.S. PATENT DOCUMENTS

2015/0090825 A1* 4/2015 Ikebukuro A01K 89/015
242/322
2019/0014765 A1* 1/2019 Kim A01K 89/056

* cited by examiner

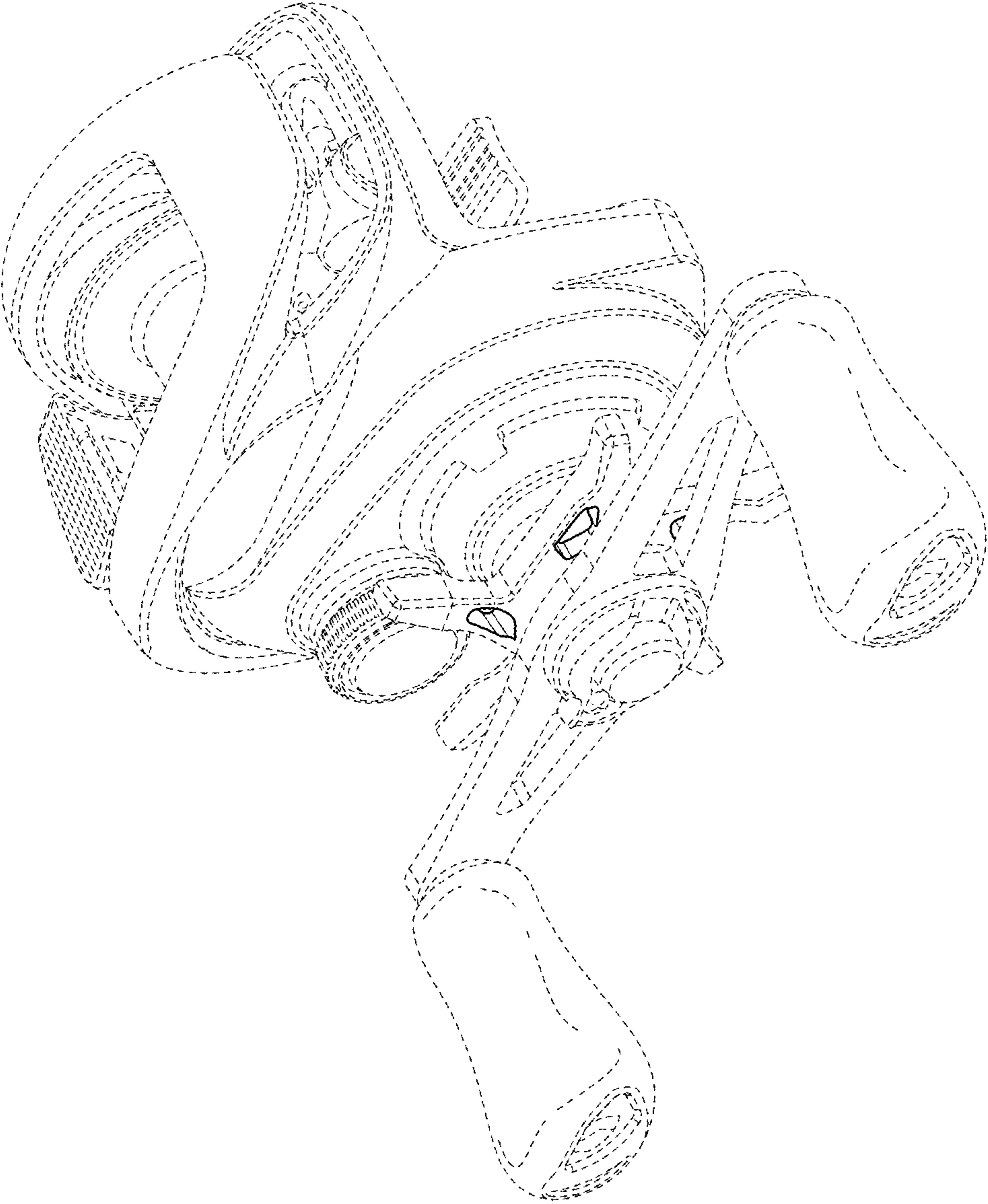


FIG. 1

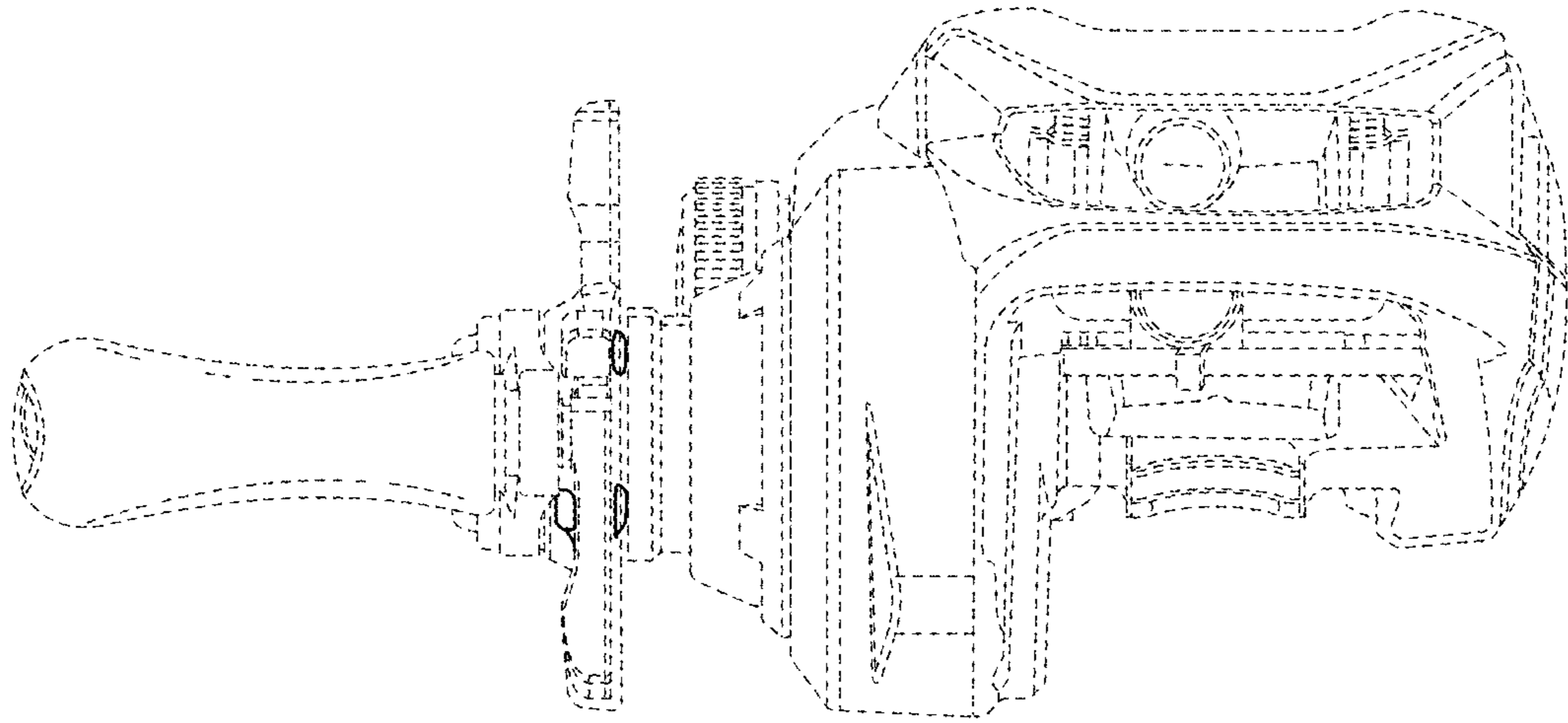


FIG. 2

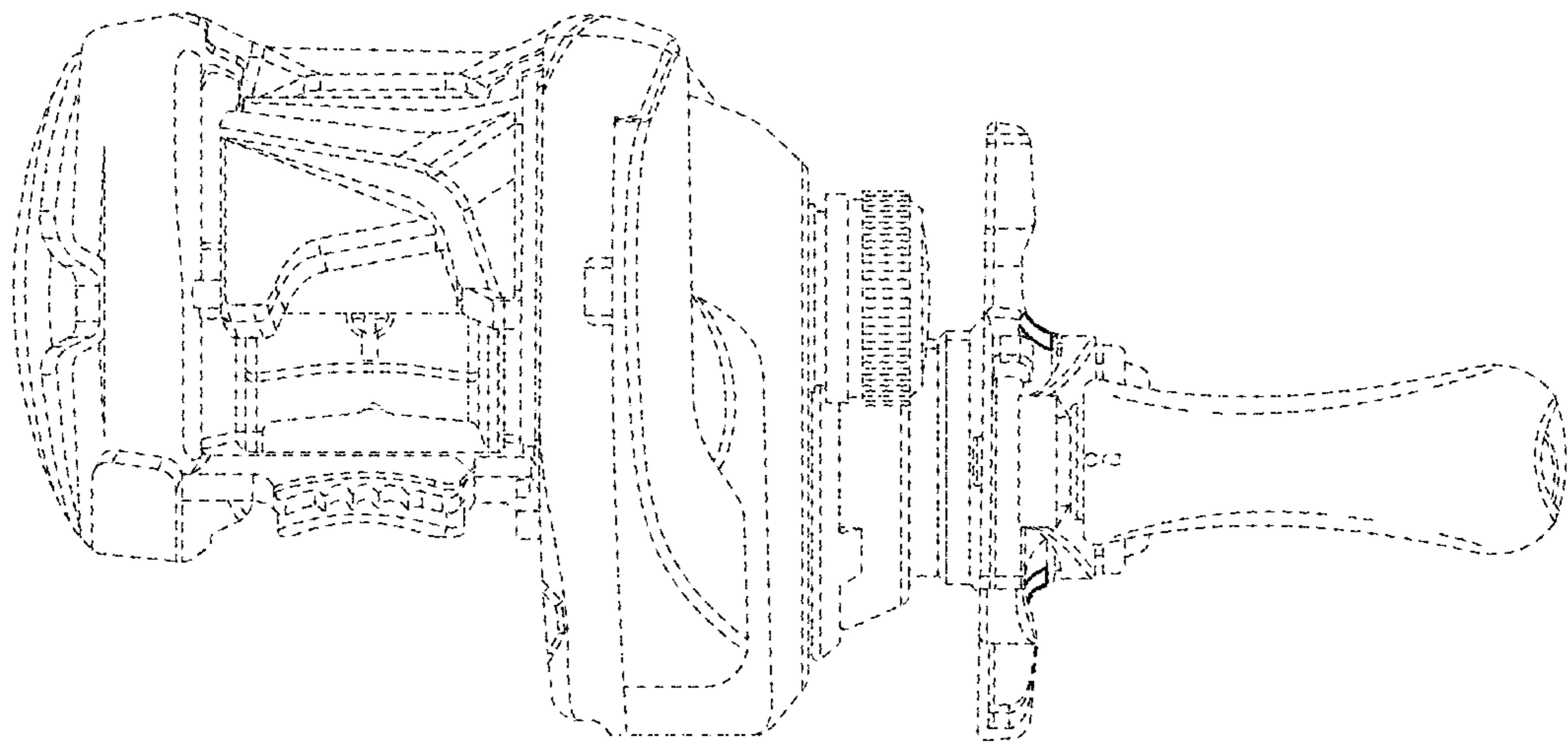


FIG. 3

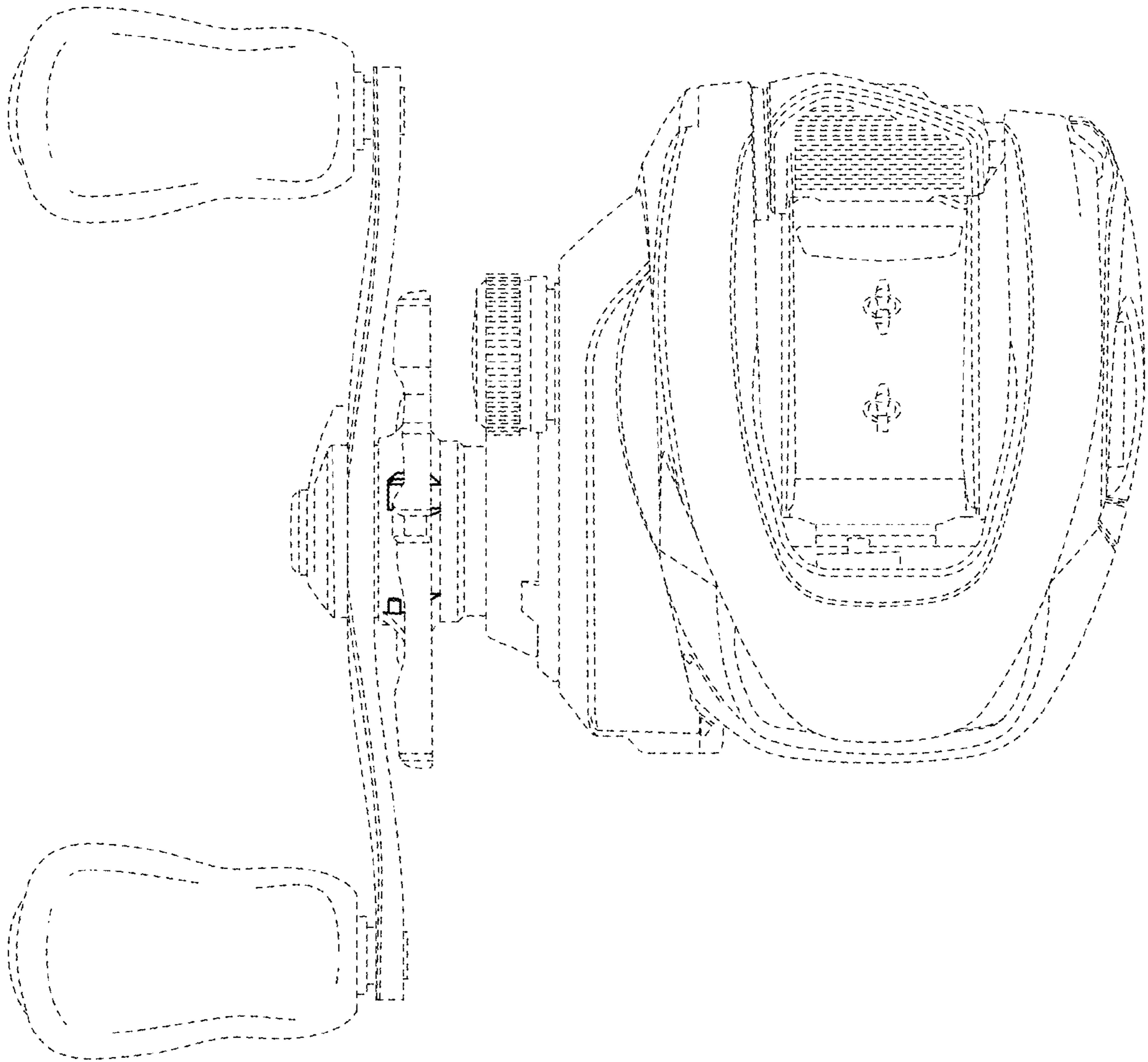


FIG. 4

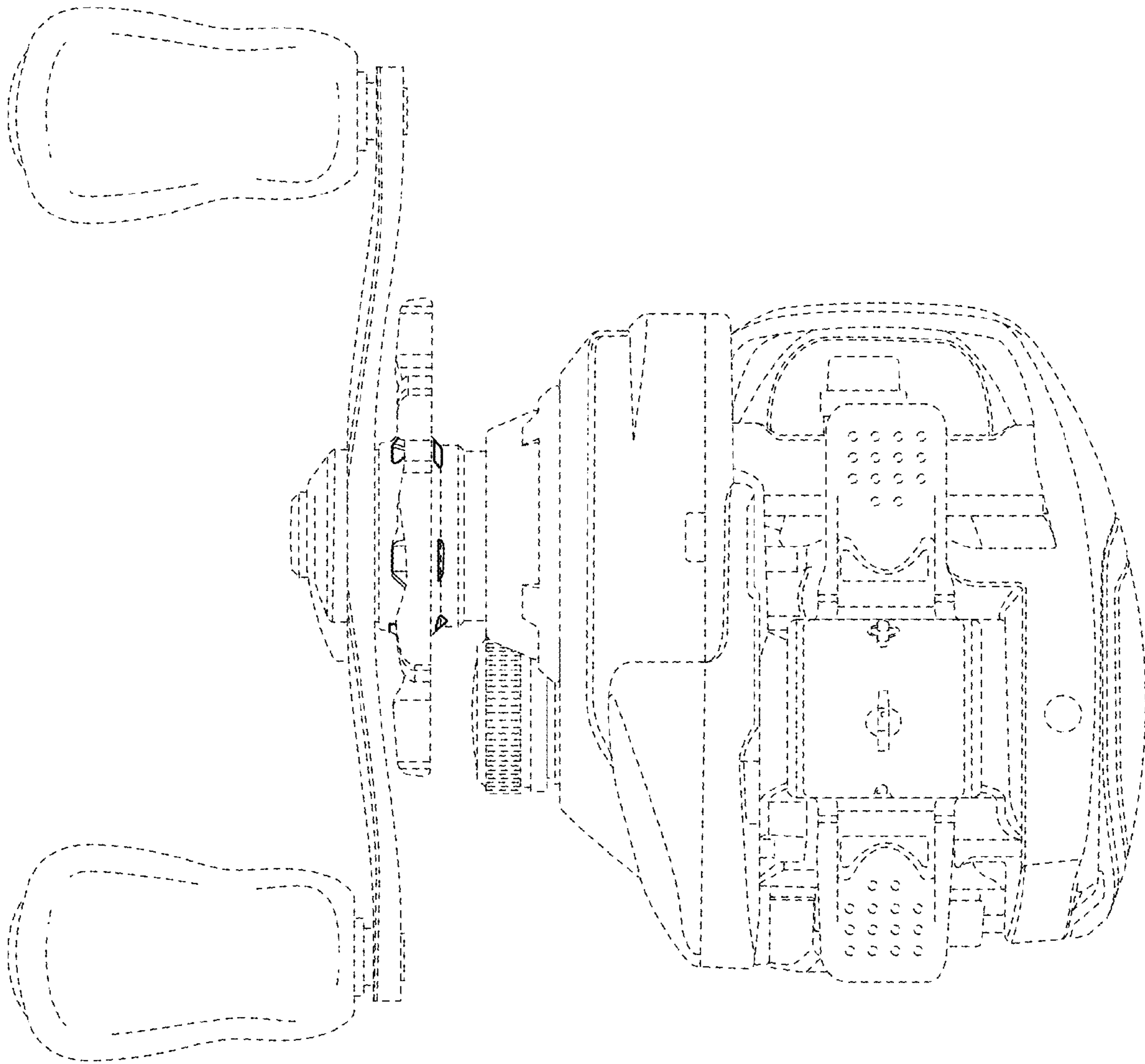


FIG. 5

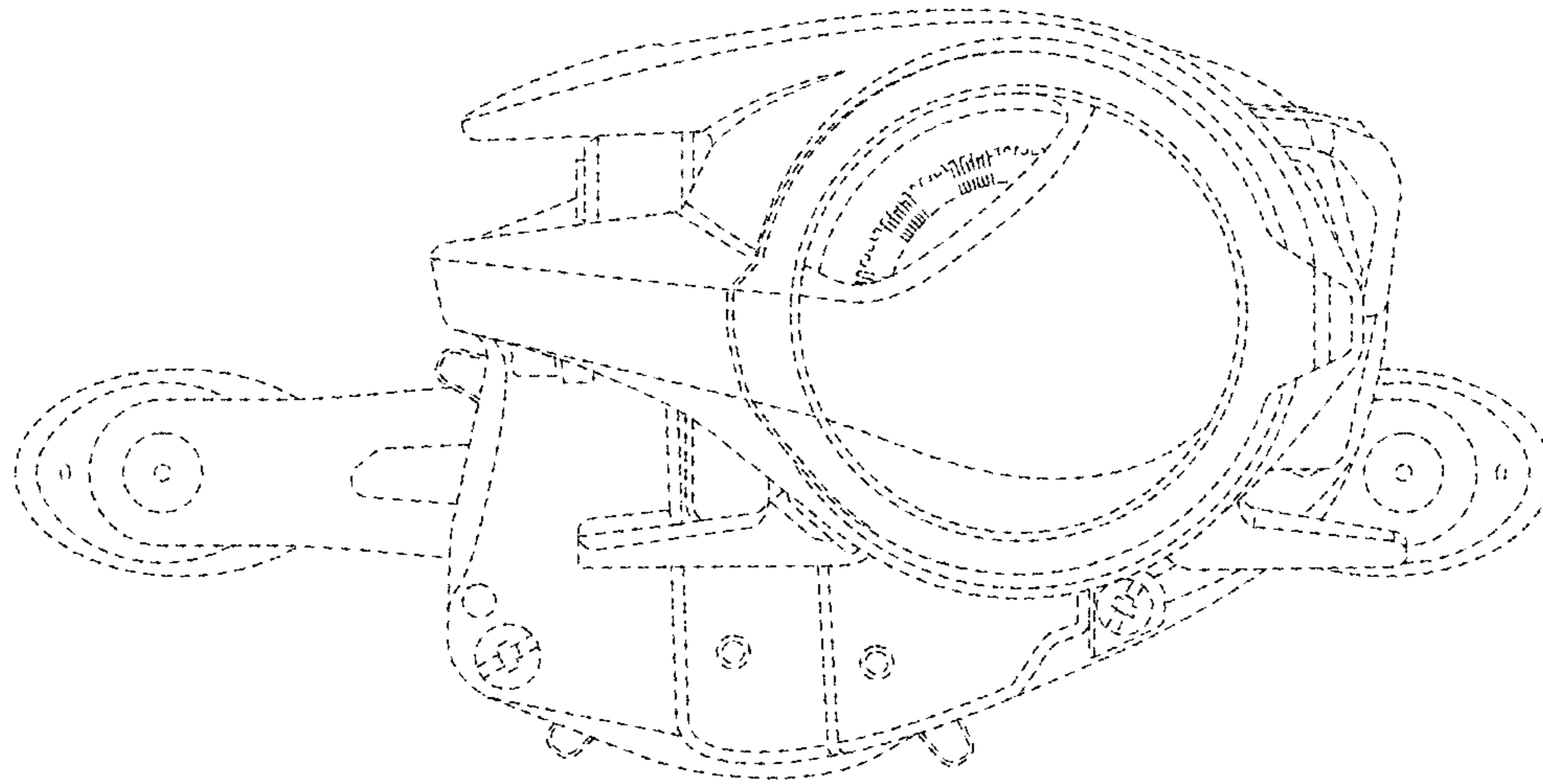


FIG. 6

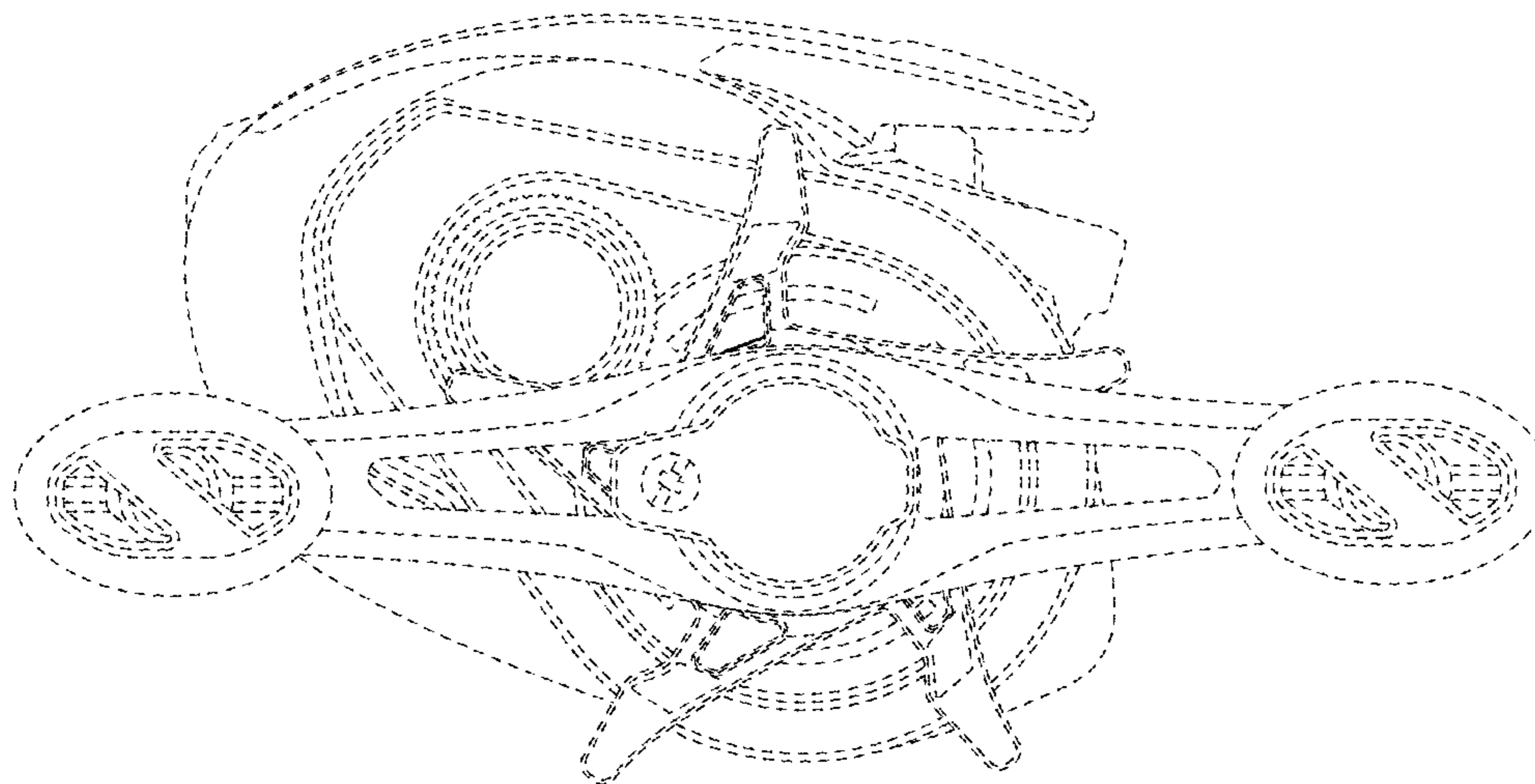


FIG. 7

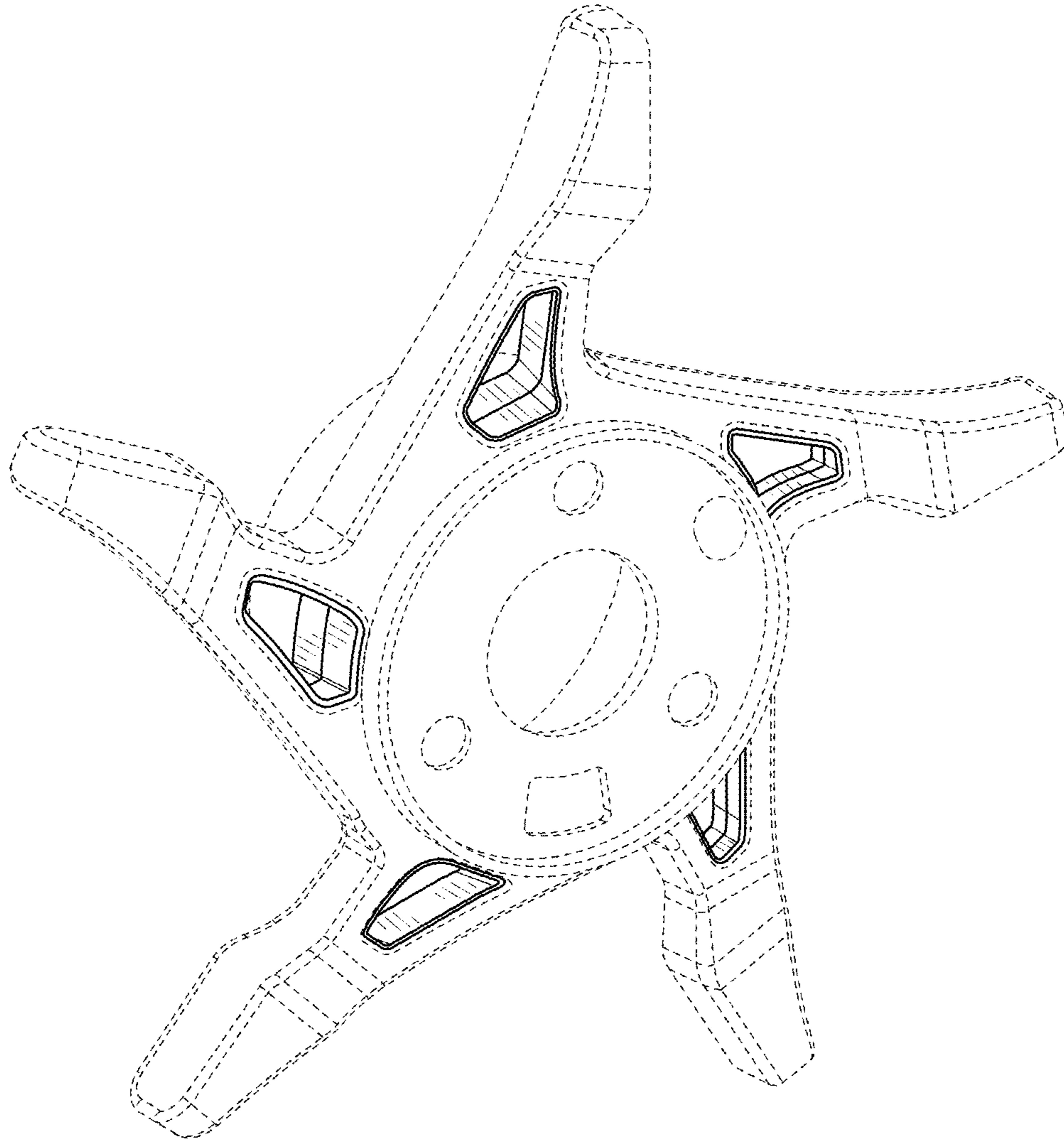


FIG. 8

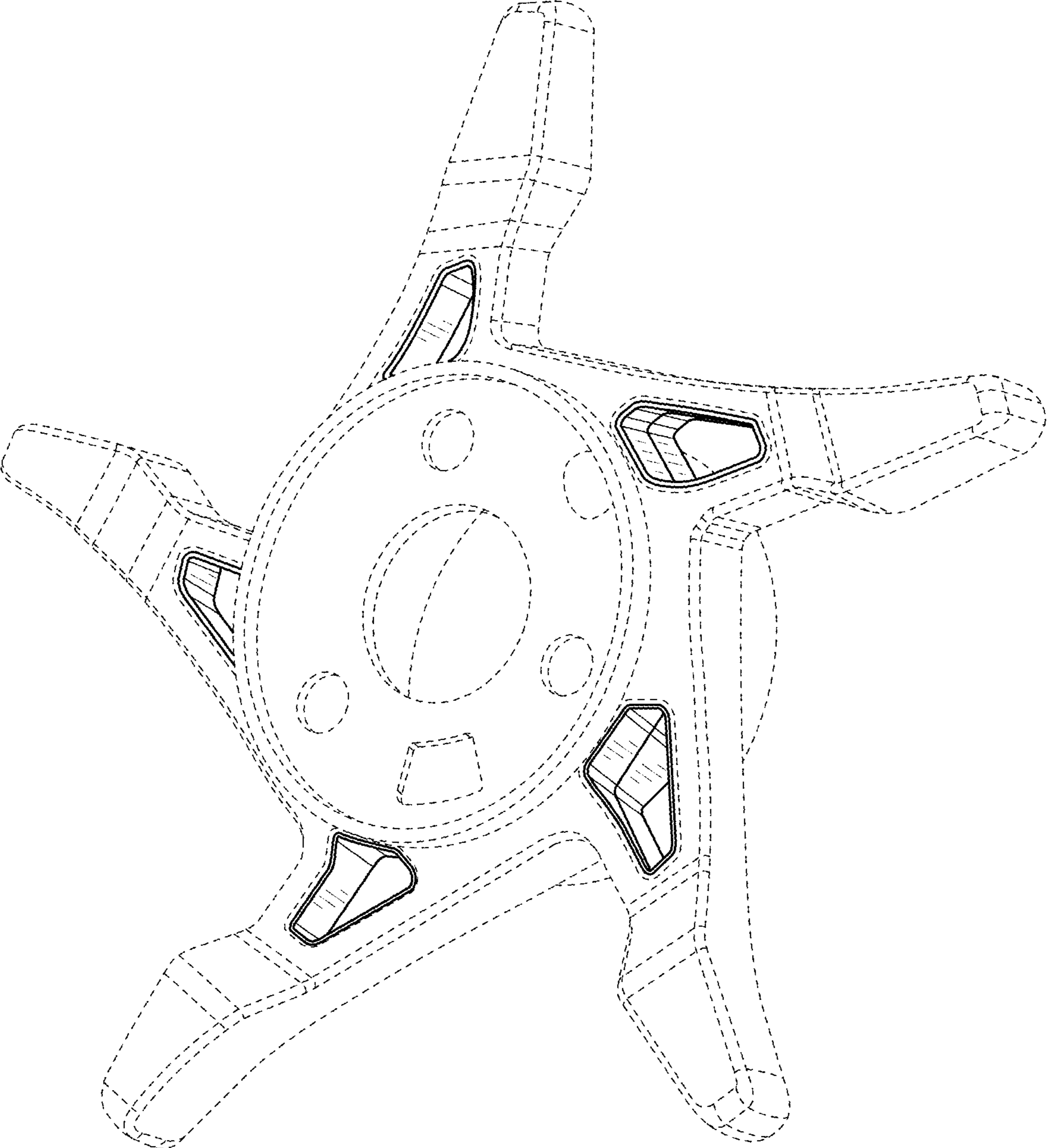


FIG. 9

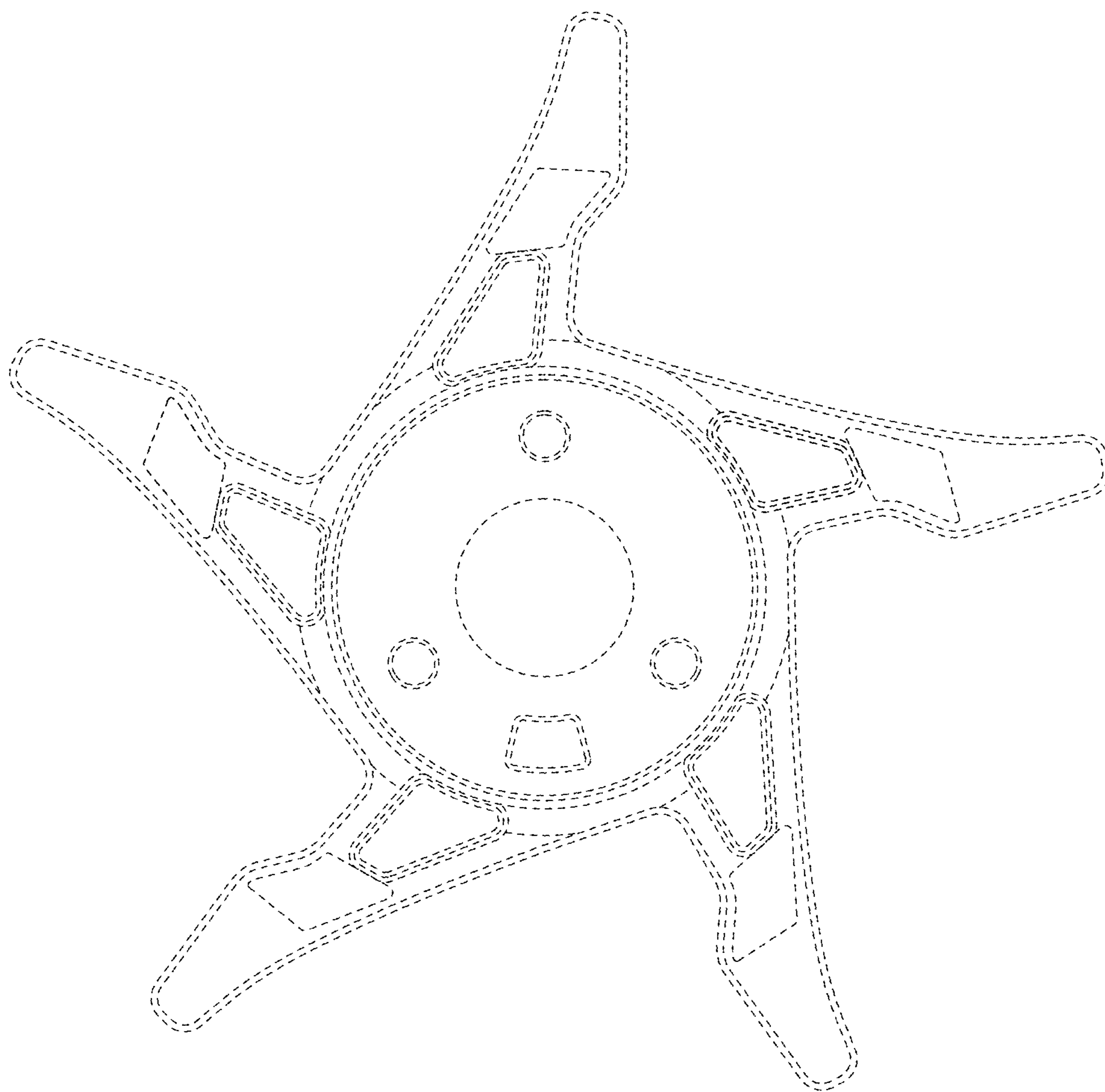


FIG. 10

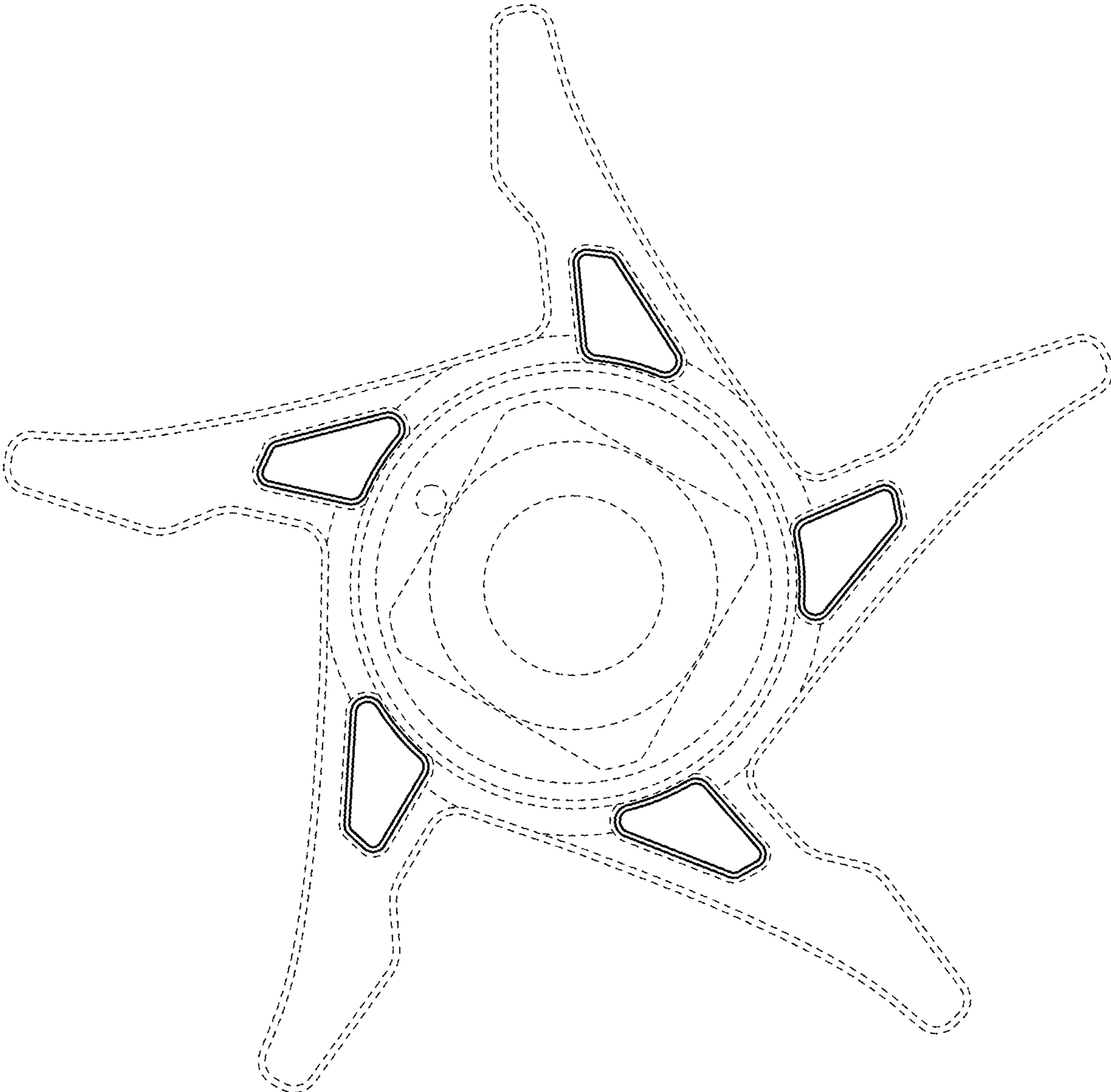


FIG. 11