



US00D979702S

(12) **United States Design Patent**
Nago

(10) **Patent No.:** **US D979,702 S**
(45) **Date of Patent:** **** Feb. 28, 2023**

(54) **FISHING REEL**

(71) Applicant: **Shimano Inc.**, Osaka (JP)

(72) Inventor: **Akira Nago**, Osaka (JP)

(73) Assignee: **Shimano Inc.**, Osaka (JP)

(**) Term: **15 Years**

(21) Appl. No.: **29/794,380**

(22) Filed: **Jun. 11, 2021**

(30) **Foreign Application Priority Data**

Dec. 25, 2020 (JP) 2020-028234

(51) **LOC (14) Cl.** **22-05**

(52) **U.S. Cl.**
USPC **D22/140**

(58) **Field of Classification Search**
USPC D22/137-141

(Continued)

(56) **References Cited**

U.S. PATENT DOCUMENTS

D226,310 S * 2/1973 Lemery D22/140
D257,168 S * 9/1980 Okada D22/140

(Continued)

FOREIGN PATENT DOCUMENTS

JP D2013-26289 * 11/2013
JP D2018-27988 * 12/2018

(Continued)

OTHER PUBLICATIONS

EatMyTackle, posted Mar. 17, 2014 [online], [retrieved Sep. 19, 2022]. Retrieved from internet, [\(Continued\)](https://www.amazon.com/dp/B00J29CRSS/ref=sspa_dk_detail_4?ie=UTF8&psc=1&s=sporting-goods&sp_csd=d2lkZ2V0TmFtZT1zcF9kZXRhaWwy(Date:2022)(Year: 2014).*</p></div>
<div data-bbox=)

Primary Examiner — Christian P. McLean

Assistant Examiner — Kristopher Michael Blechschmidt

(74) *Attorney, Agent, or Firm* — Global IP Counselors, LLP

(57) **CLAIM**

The ornamental design for a fishing reel, as shown and described.

DESCRIPTION

FIG. 1 is a first perspective view of a fishing reel that includes a fishing reel portion in accordance with my new design;

FIG. 2 is a second perspective view of the fishing reel illustrated in FIG. 1 that includes the fishing reel portion;

FIG. 3 is a first side elevational view of the fishing reel illustrated in FIG. 1 that includes the fishing reel portion;

FIG. 4 is a second side elevational view of the fishing reel illustrated in FIG. 1 that includes the fishing reel portion but in which the fishing reel portion is completely hidden from sight;

FIG. 5 is a top plan view of the fishing reel illustrated in FIG. 1 that includes the fishing reel portion;

FIG. 6 is a bottom plan view of the fishing reel illustrated in FIG. 1 that includes the fishing reel portion;

FIG. 7 is a rear elevational view of the fishing reel illustrated in FIG. 1 that includes the fishing reel portion;

FIG. 8 is a front elevational view of the fishing reel illustrated in FIG. 1 that includes the fishing reel portion; and

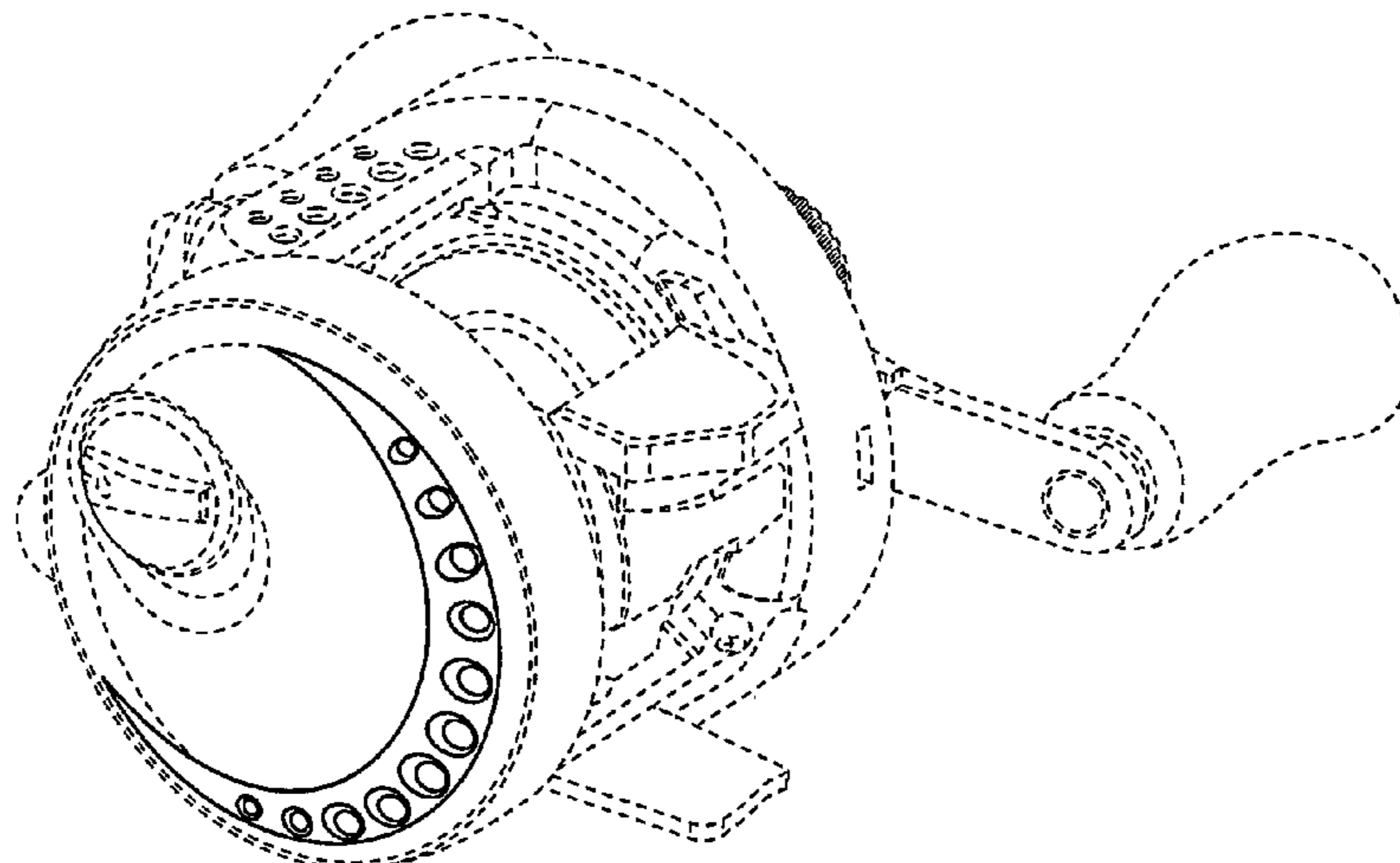
FIG. 9 is an enlarged perspective view of the fishing reel illustrated in FIG. 1 that includes the fishing reel portion

FIG. 10 is an enlarged perspective view of the fishing reel illustrated in FIG. 1 that includes the fishing reel portion; and,

FIG. 11 is an enlarged elevational view of the fishing reel illustrated in FIG. 1 that includes the fishing reel portion.

In the drawings, the broken line illustration of the environmental structure (the remaining structure of the fishing reel) in the drawings is not part of the claimed design. In other words, the broken line portion of the fishing reel does not form part of the claimed design. Also, in the drawings, the

(Continued)



dot-dash broken lines illustrate the boundary of the enlarged drawing views and forms no part of the claimed design.

1 Claim, 6 Drawing Sheets

(58) Field of Classification Search

CPC A01K 89/01; A01K 81/00; A01K 89/06; A01K 89/015; A01K 89/016; F41B 5/1484

See application file for complete search history.

(56)

References Cited

U.S. PATENT DOCUMENTS

D323,201 S * 1/1992 Adams D22/140
6,189,823 B1 * 2/2001 Kobayashi A01K 89/01921
242/312
D448,445 S * 9/2001 Sakurai D22/140
D451,576 S * 12/2001 Dacuk, Jr. D22/140
6,409,113 B1 * 6/2002 Hirayama A01K 89/01557
D22/140
D494,248 S * 8/2004 Sakurai D22/140

D529,984 S * 10/2006 Iwabuchi D22/141
D593,637 S * 6/2009 Kobayashi D22/140
D661,775 S * 6/2012 Nago D22/140
D674,870 S 1/2013 Hosono
D724,174 S * 3/2015 Nago D22/140
10,470,449 B1 * 11/2019 Niitsuma A01K 89/011223

FOREIGN PATENT DOCUMENTS

JP D1638327 S 8/2019
TW 93305974 * 10/2004

OTHER PUBLICATIONS

New Shimano Calcutta Conquest, posted Sep. 6, 2018 [online], [retrieved Sep. 19, 2022]. Retrieved from internet, <https://www.youtube.com/watch?v=Up22TU5hapMDate:> (Year: 2018).*
Calcutta Conquest, posted unknown [online], [retrieved Sep. 19, 2022]. Retrieved from internet, https://fish.shimano.com/content/fish/northamerica/us/en/homepage/Shimano_Product_Page.P-CALCUTTA_CONQUEST_100-200_A.html#product_image_3 (Date: 2022) (Year: 2022).*

* cited by examiner

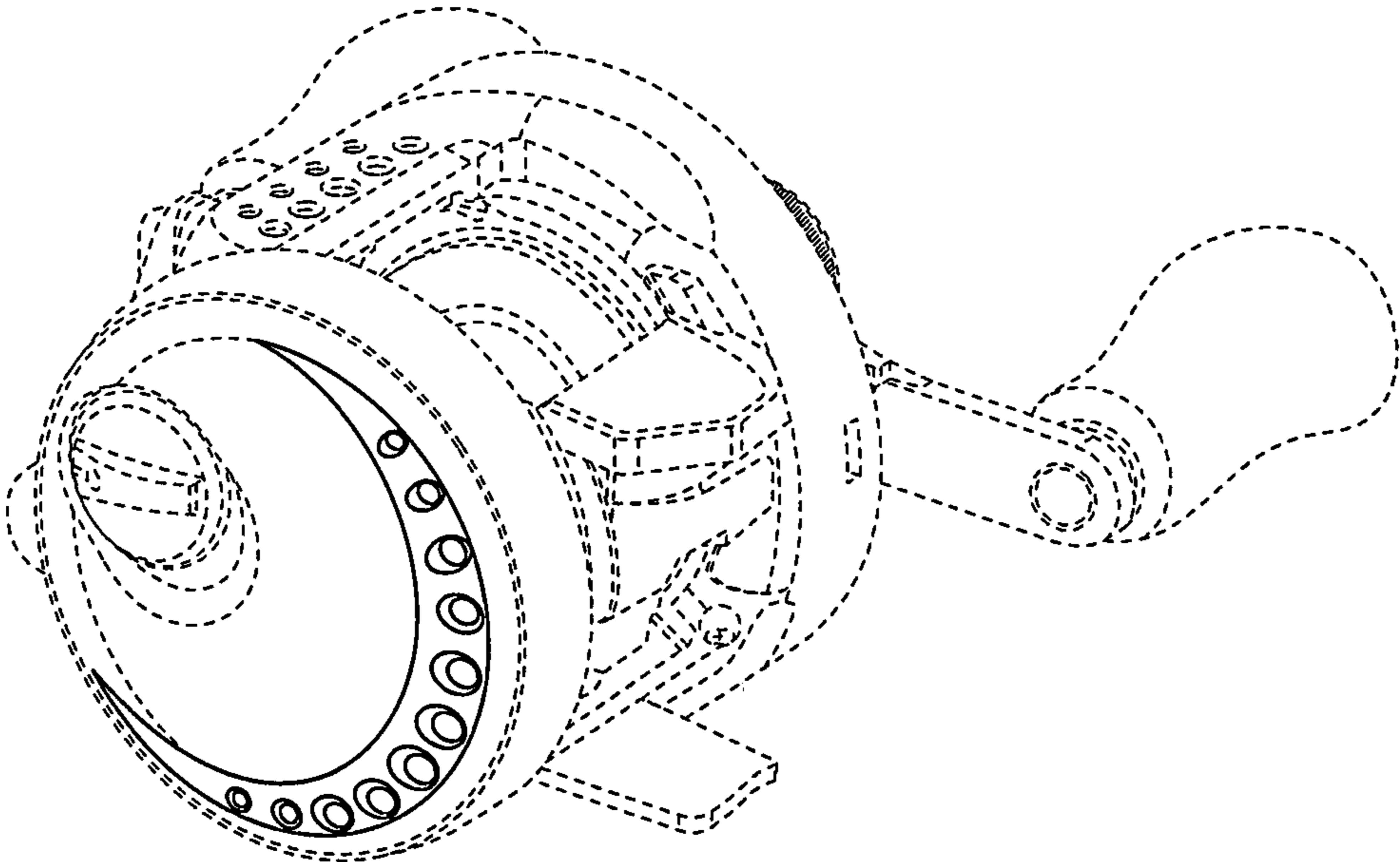


FIG. 1

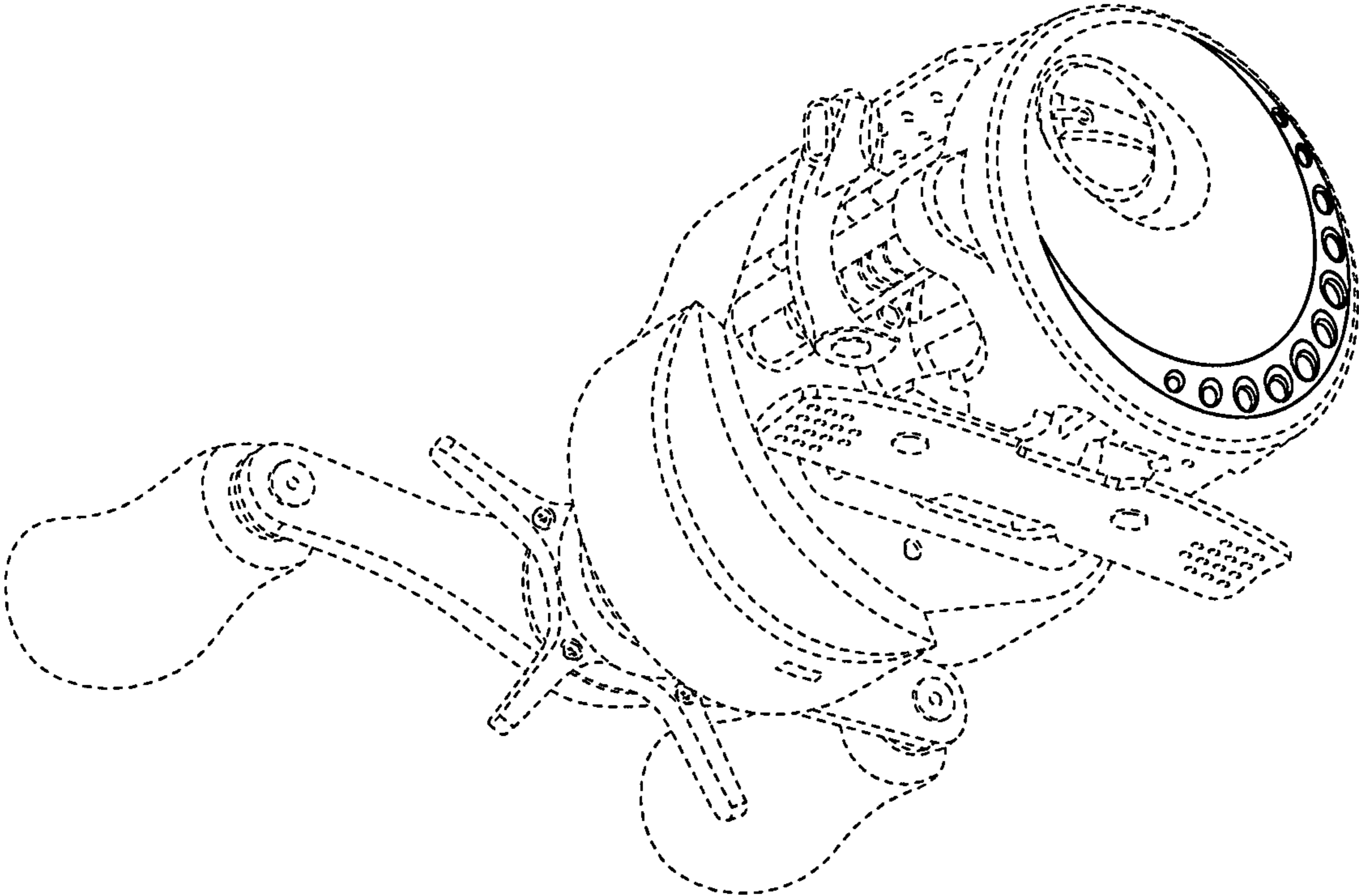


FIG. 2

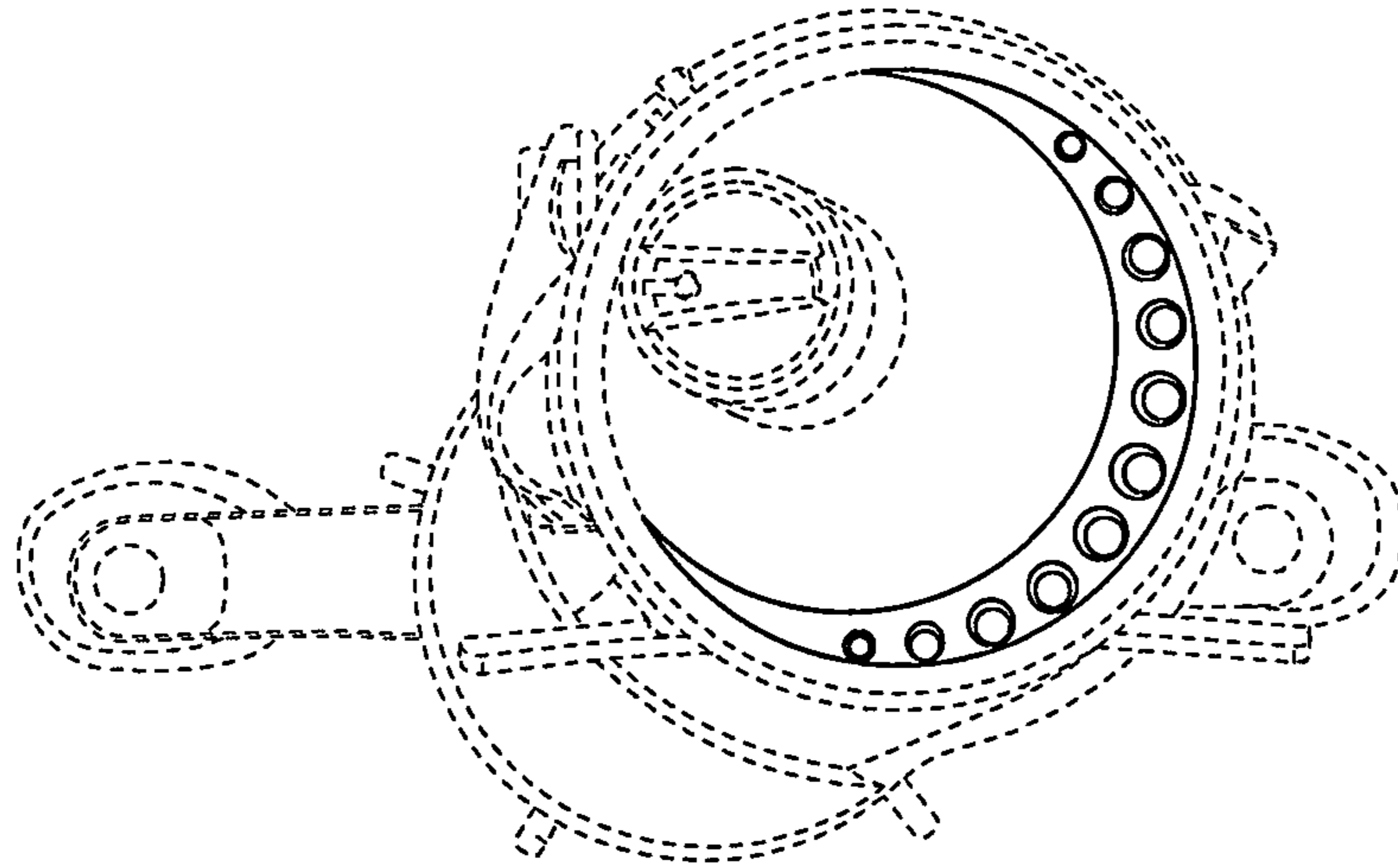


FIG. 3

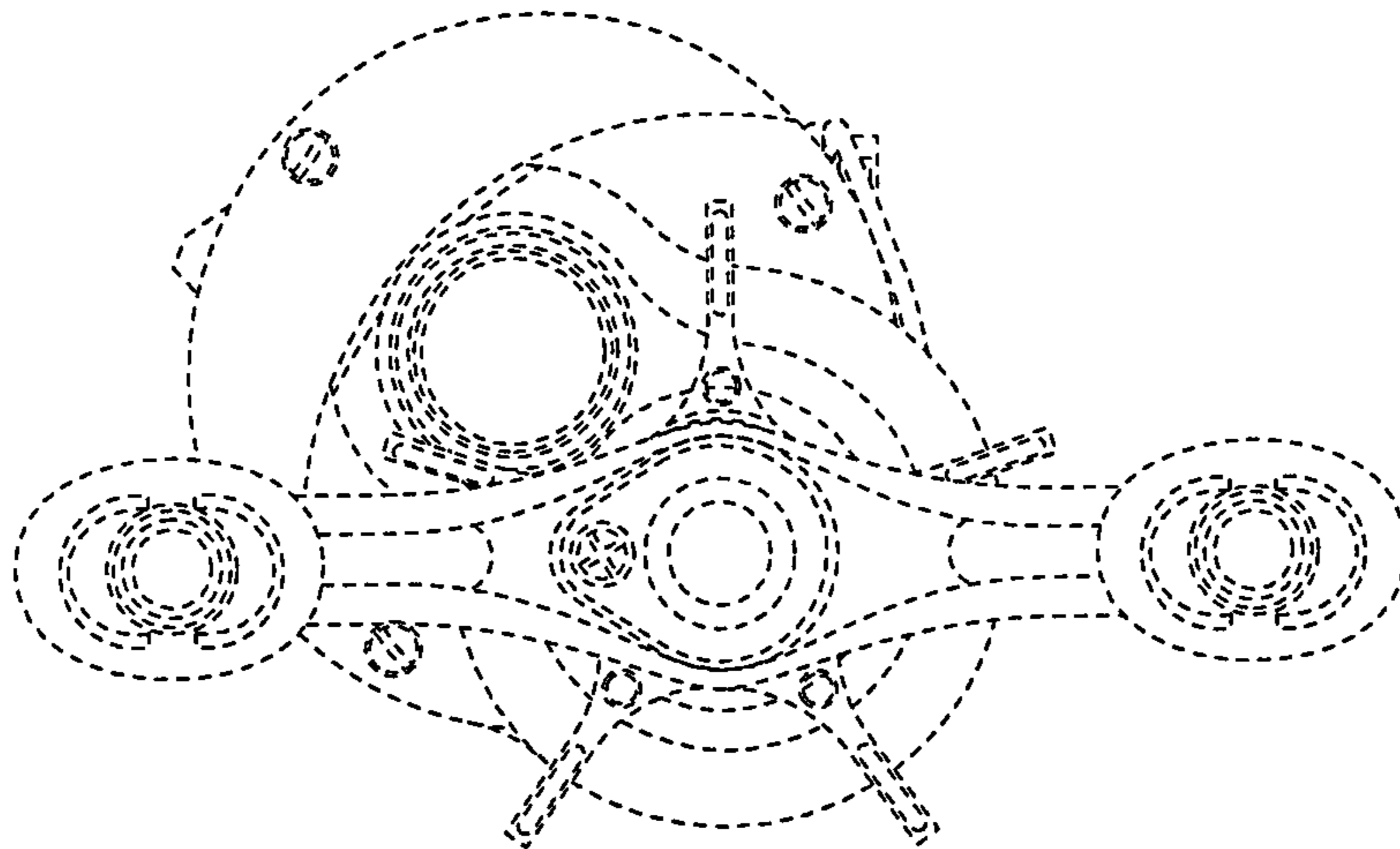


FIG. 4

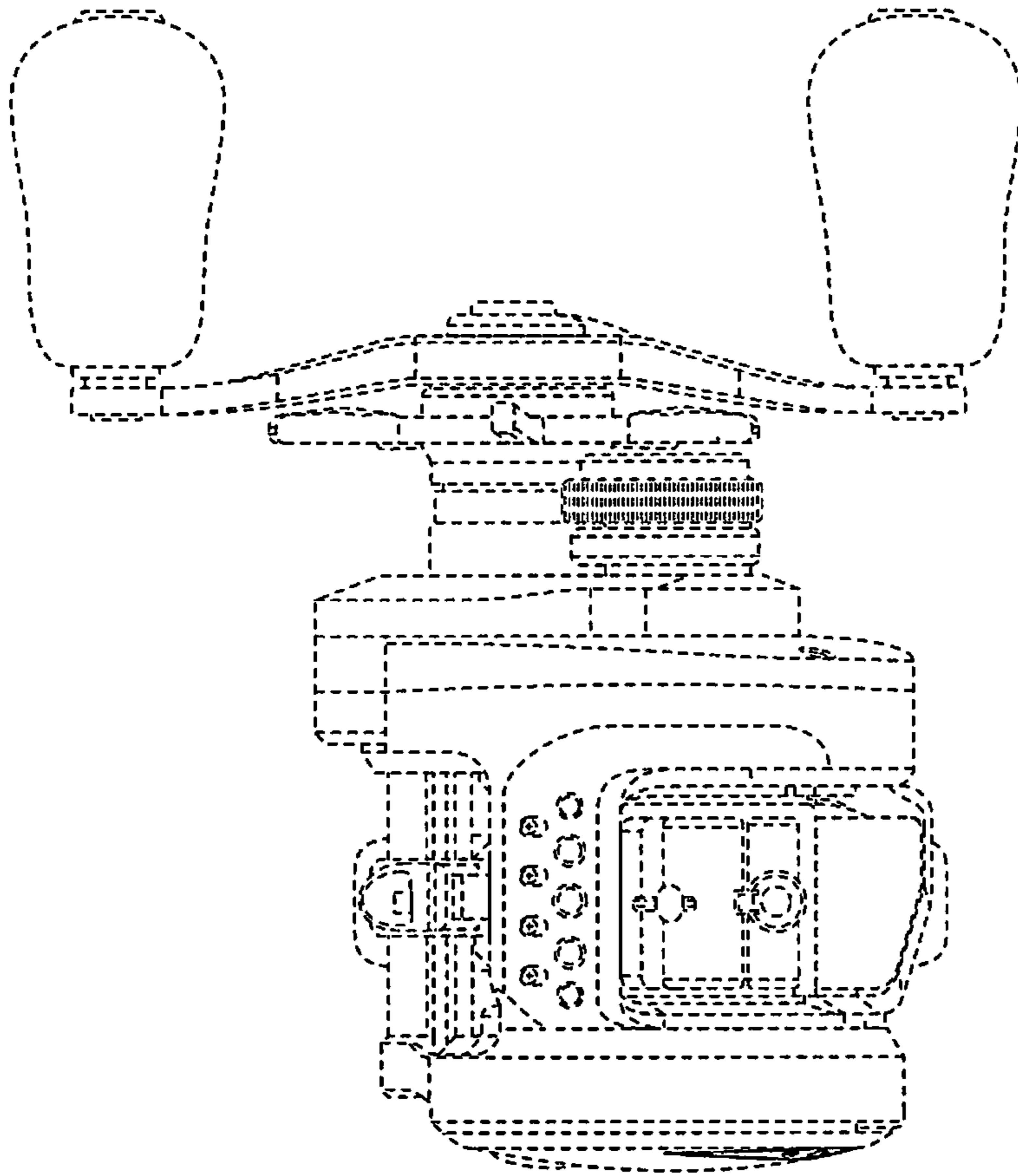


FIG. 5

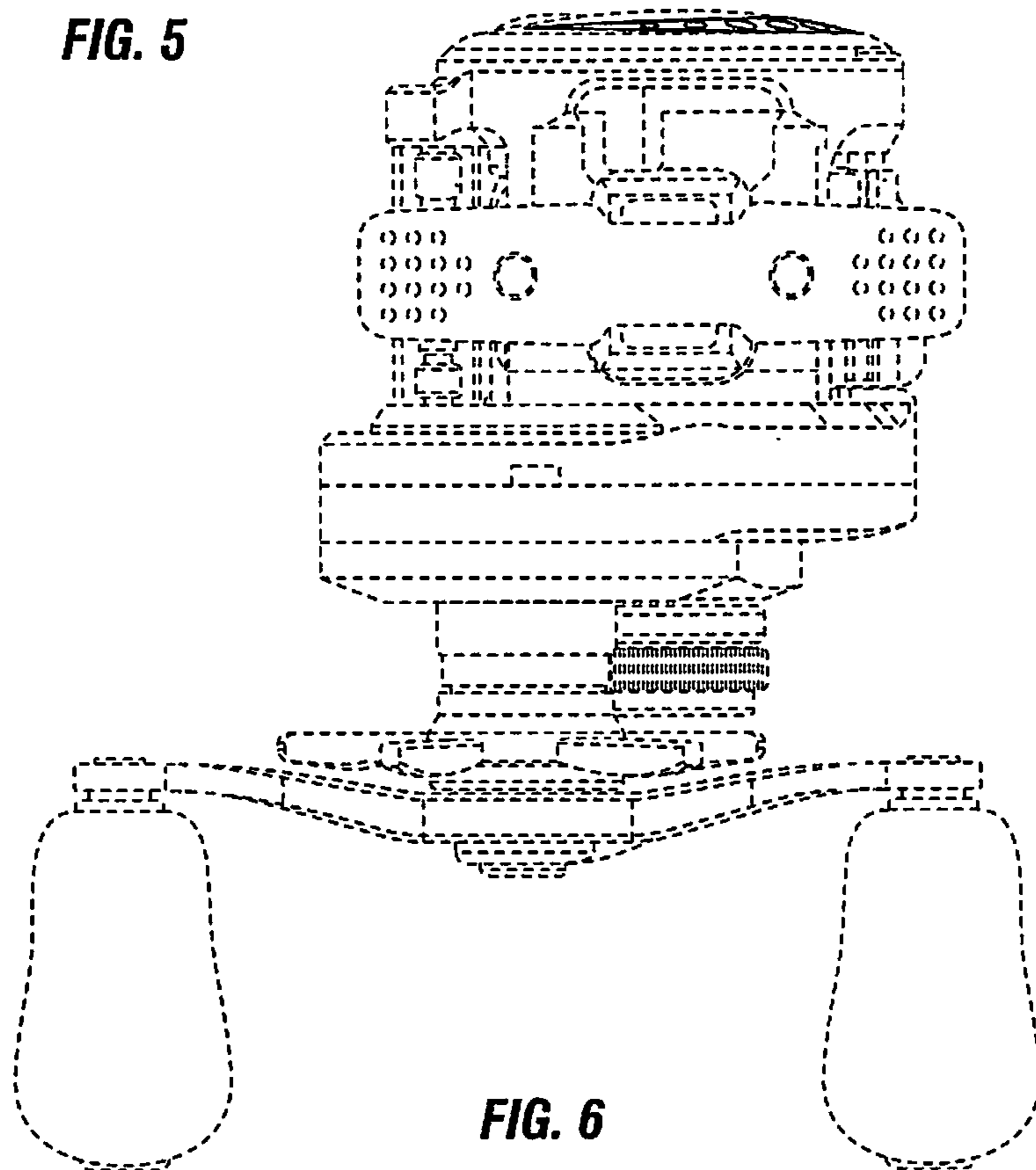


FIG. 6

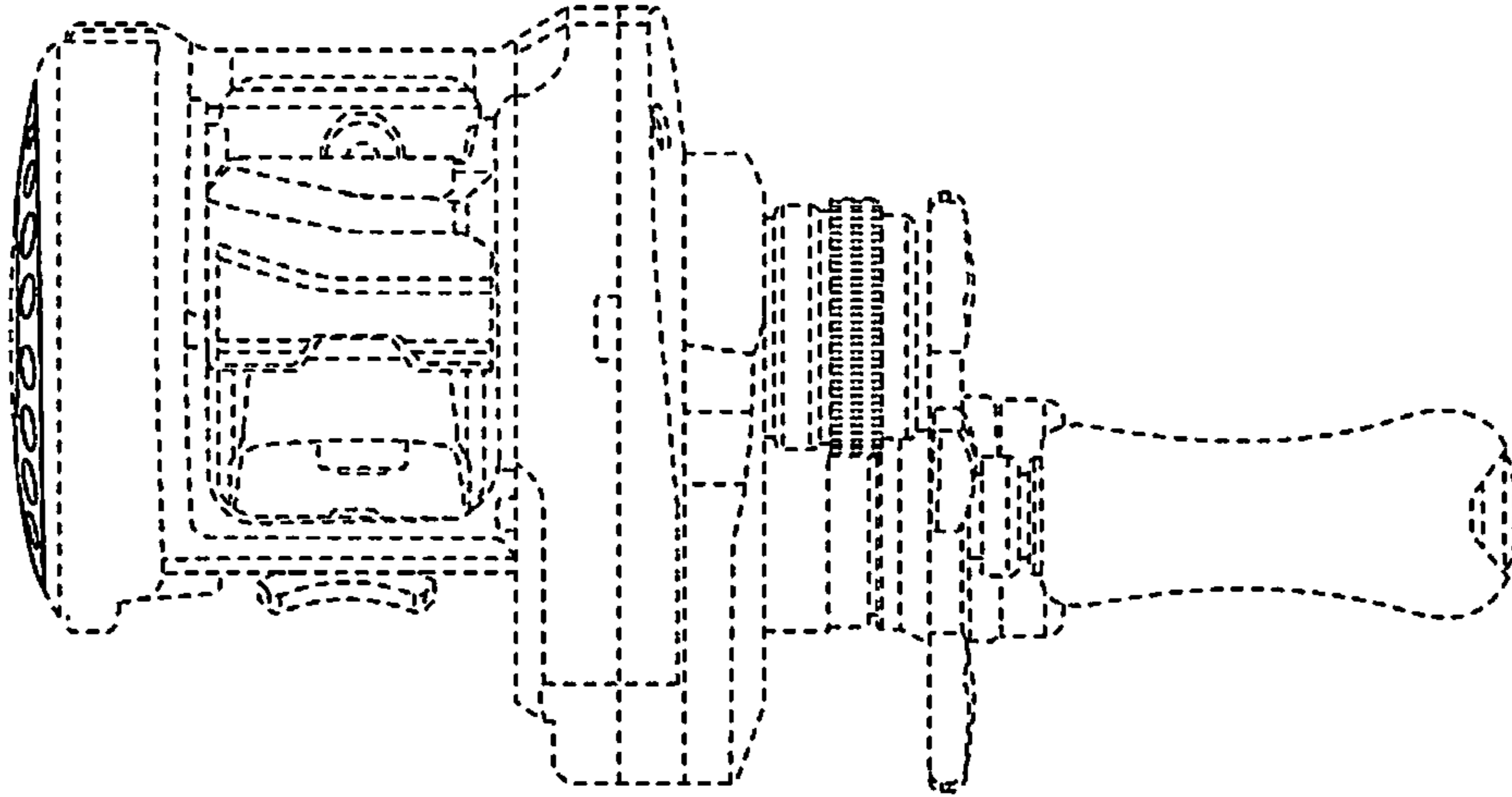


FIG. 7

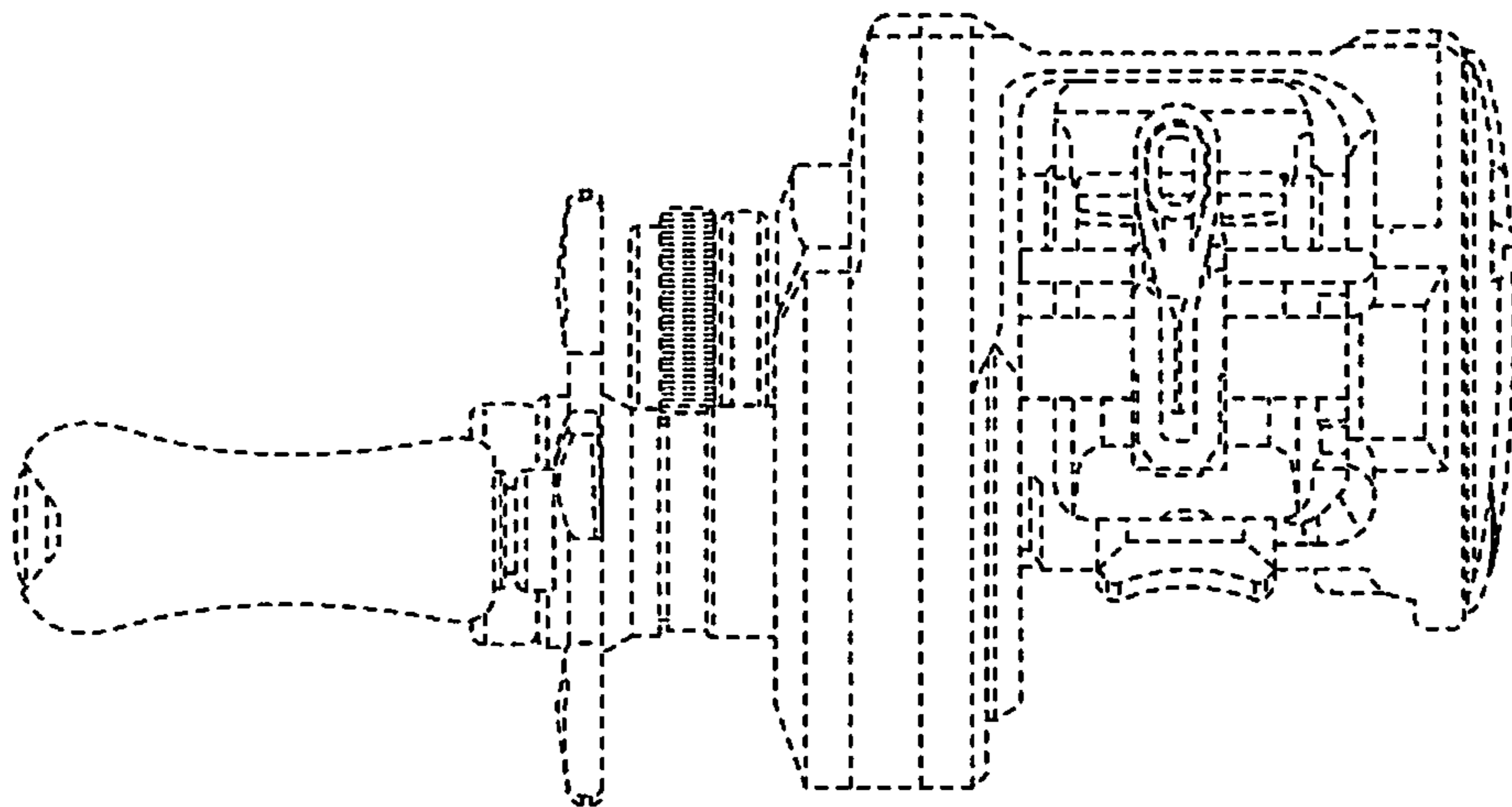


FIG. 8

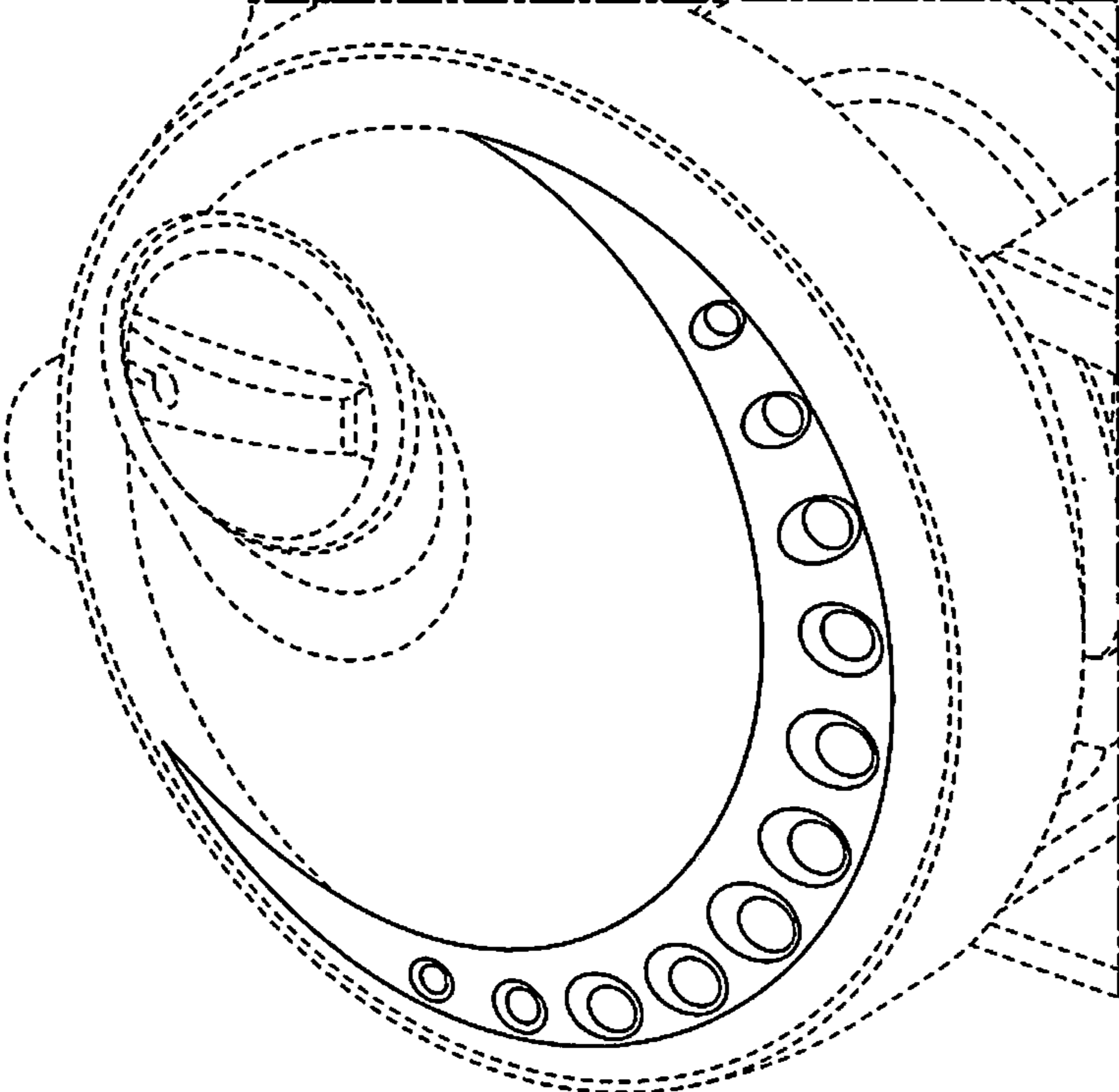


FIG. 9

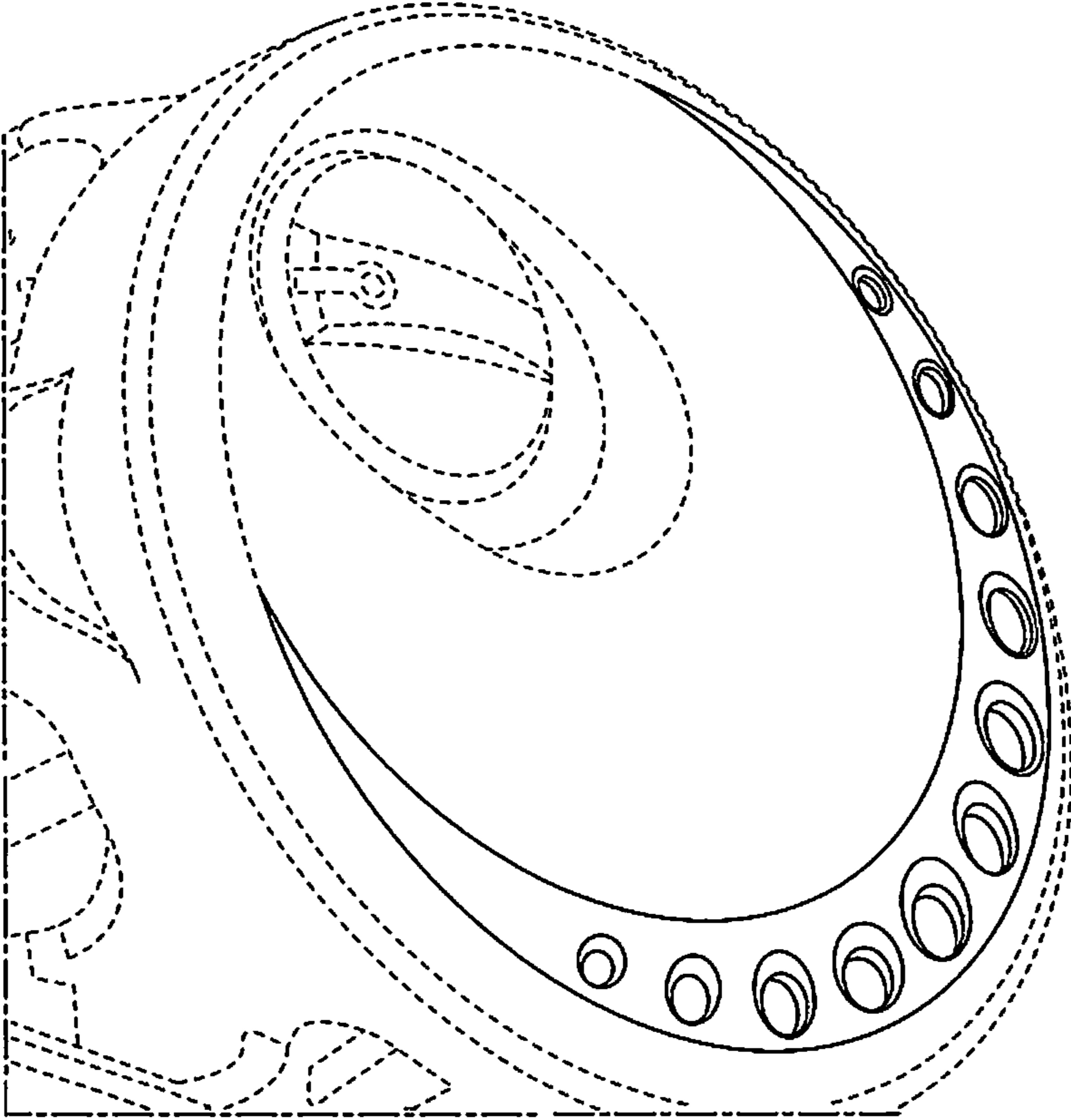


FIG. 10

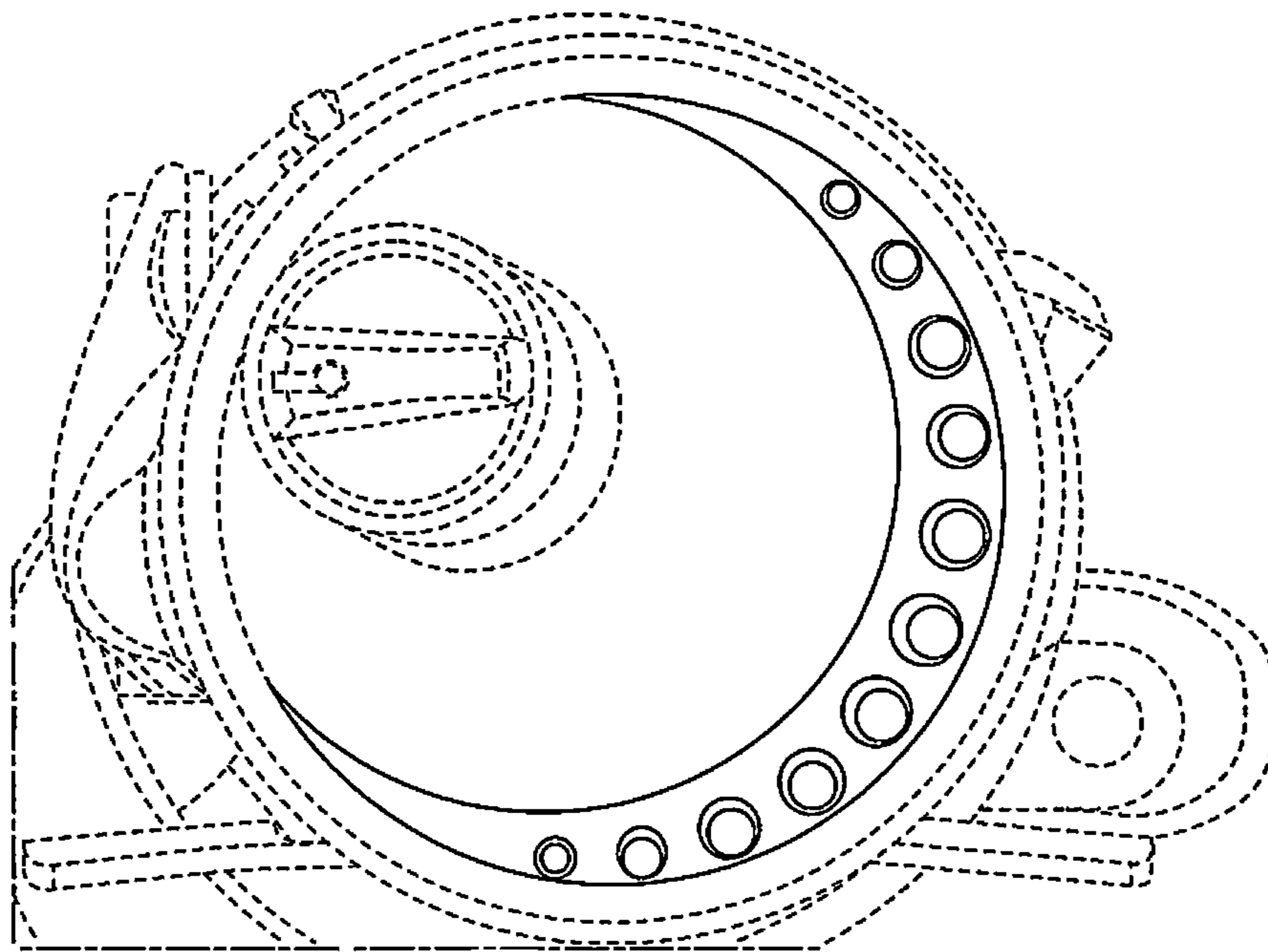


FIG. 11