



US00D979701S

(12) **United States Design Patent** (10) **Patent No.:** **US D979,701 S**  
**Propes** (45) **Date of Patent:** **\*\* Feb. 28, 2023**

(54) **FISHING LURE**  
(71) Applicant: **Joy Propes**, Pelzer, SC (US)  
(72) Inventor: **Joy Propes**, Pelzer, SC (US)  
(\*\*) Term: **15 Years**  
(21) Appl. No.: **29/763,283**

D461,218 S \* 8/2002 Bambacigno ..... D22/126  
D474,567 S \* 5/2003 Clark ..... D32/26  
D474,568 S \* 5/2003 Clark ..... D32/26  
D522,711 S \* 6/2006 Nakata ..... D1/125  
D815,246 S \* 4/2018 Barnett ..... D22/146  
10,517,282 B2 12/2019 Baker, Jr.  
D910,829 S \* 2/2021 Spadaccia ..... D23/386  
D942,116 S \* 2/2022 Abboushi ..... D1/101  
2013/0247445 A1 9/2013 Autrey  
(Continued)

(22) Filed: **Dec. 22, 2020**  
(51) **LOC (14) Cl.** ..... **22-05**  
(52) **U.S. Cl.**  
USPC ..... **D22/129**  
(58) **Field of Classification Search**  
USPC ..... D22/125–133, 144–146; D1/126–127,  
D1/199; D21/455, 486–487, 545  
CPC ..... A01K 85/00; A01K 85/01; A01K 85/10;  
A01K 87/00; A01K 85/02; A01K 85/005;  
A01K 85/14; A01K 85/16; A01K 85/18;  
A01K 83/02; A01K 91/03; A01K 91/053;  
A01K 95/00  
See application file for complete search history.

FOREIGN PATENT DOCUMENTS

CA 2372345 8/2003  
EM 001333272-0001 \* 7/2012  
(Continued)

OTHER PUBLICATIONS

Spiral Lure Minnow In Correct Box, posted Feb. 16, 2020 [online],  
[retrieved Nov. 28, 2020]. Retrieved from internet, <https://finandflame.com/spiral-lure-and-box/> (Date:2022 ) (Year: 2020).\*

*Primary Examiner* — Christian P. McLean  
*Assistant Examiner* — Kristopher Michael Blechschmidt

(56) **References Cited**  
U.S. PATENT DOCUMENTS

1,803,777 A \* 5/1931 Speich ..... A01K 85/02  
43/42.46  
2,289,096 A \* 7/1942 Brett ..... A01K 85/12  
43/42.34  
2,569,057 A \* 9/1951 Hinerman ..... A01K 85/12  
43/42.14  
3,494,063 A \* 2/1970 Treaster ..... A01K 85/12  
43/42.31  
D231,526 S 4/1974 Newman  
3,885,339 A 5/1975 Herkner  
4,416,080 A \* 11/1983 Morrissette ..... A01K 85/12  
43/42.46  
4,891,901 A 1/1990 Baker, Jr.  
D363,294 S \* 10/1995 Ellis ..... D15/139  
D411,590 S \* 6/1999 Blæsild ..... D21/493

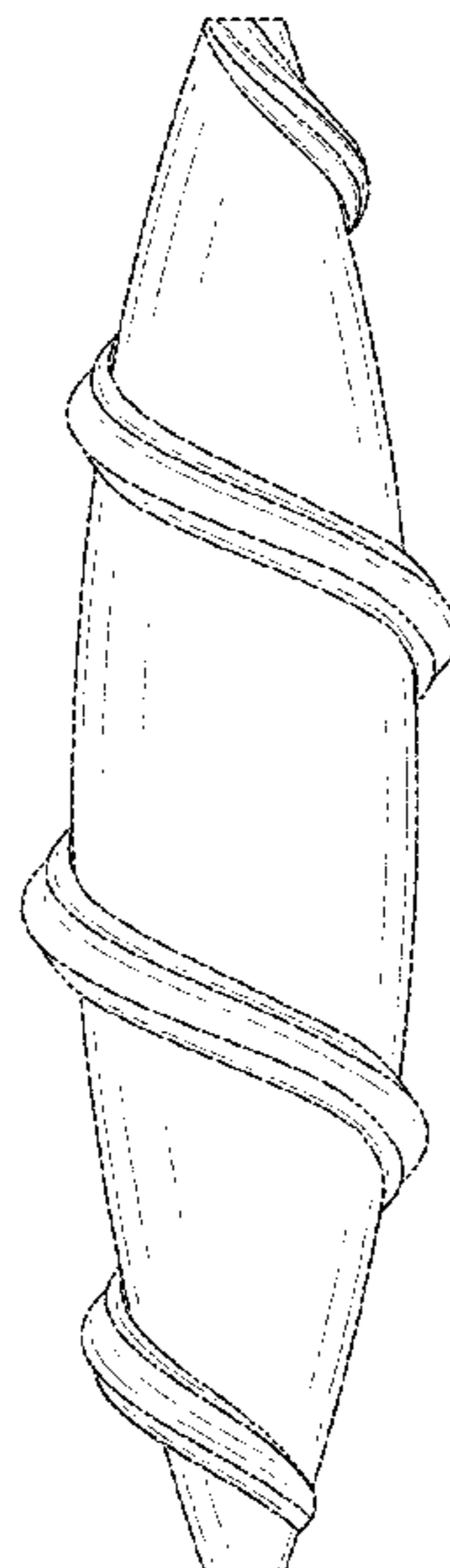
(57) **CLAIM**

I claim the ornamental design for a fishing lure, as shown and described.

**DESCRIPTION**

FIG. 1 is a front view of the fishing lure.  
FIG. 2 is a rear view of the claimed design.  
FIG. 3 is a left side view of the claimed design.  
FIG. 4 is a right side view of the claimed design.  
FIG. 5 is a top view of the claimed design.  
FIG. 6 is a bottom view of the claimed design; and,  
FIG. 7 is a perspective view of the claimed design.  
The broken lines in FIG. 7 of lines and hooks are environmental matter forming no part of the claimed design.

**1 Claim, 7 Drawing Sheets**



(56)

**References Cited**

U.S. PATENT DOCUMENTS

2014/0311011 A1 10/2014 Guntharp  
2014/0360087 A1 12/2014 Klose

FOREIGN PATENT DOCUMENTS

EM 002221291-0001 \* 4/2018  
WO WO-D211003-001 \* 11/2020

\* cited by examiner

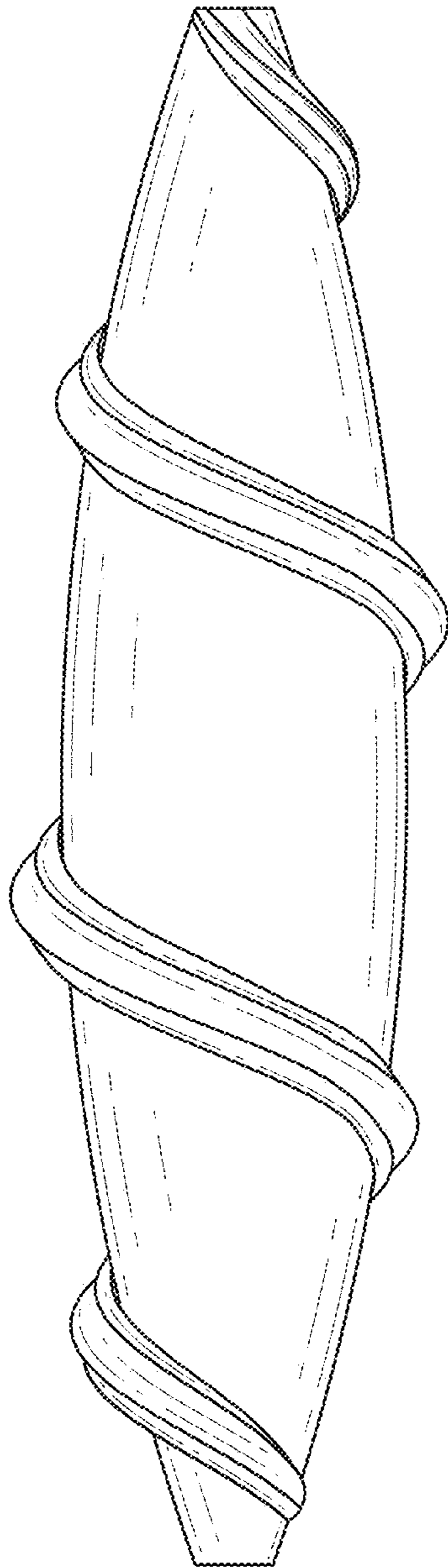


FIG. 1

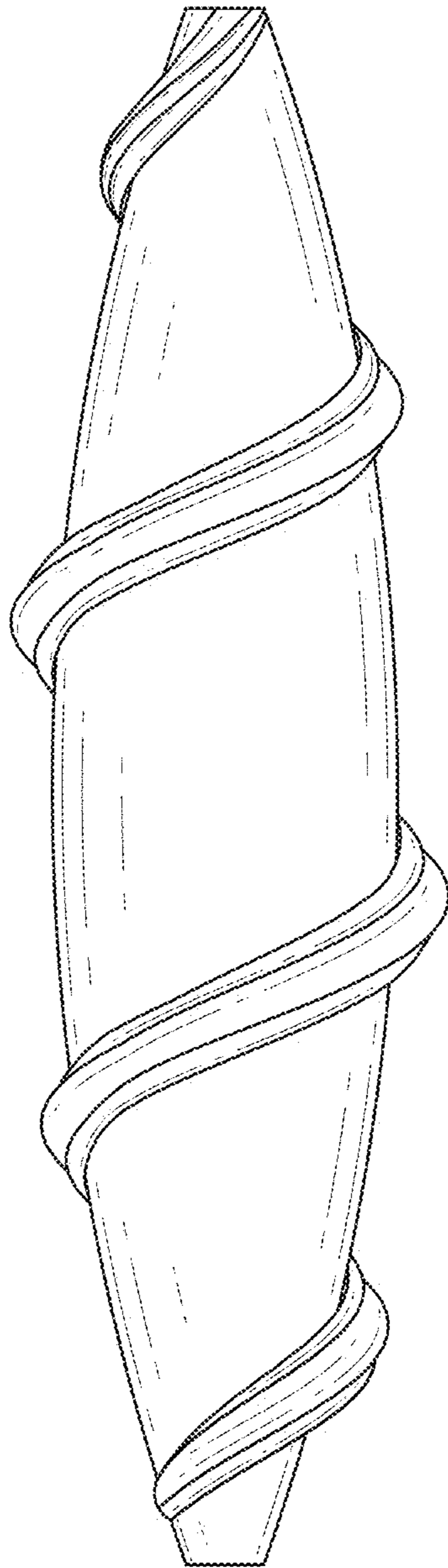


FIG. 2

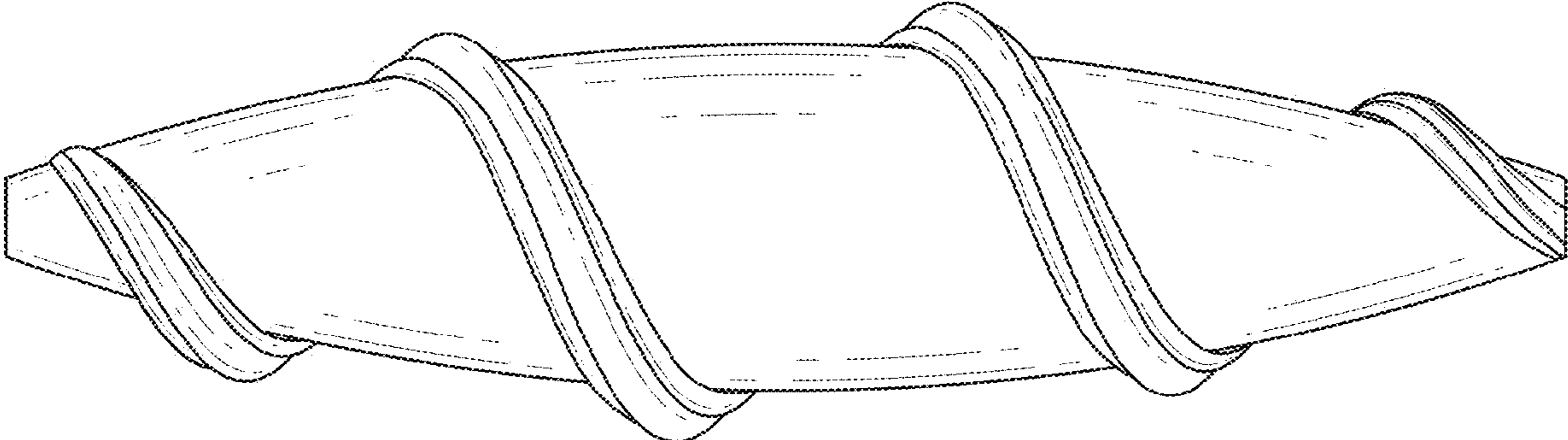


FIG. 3

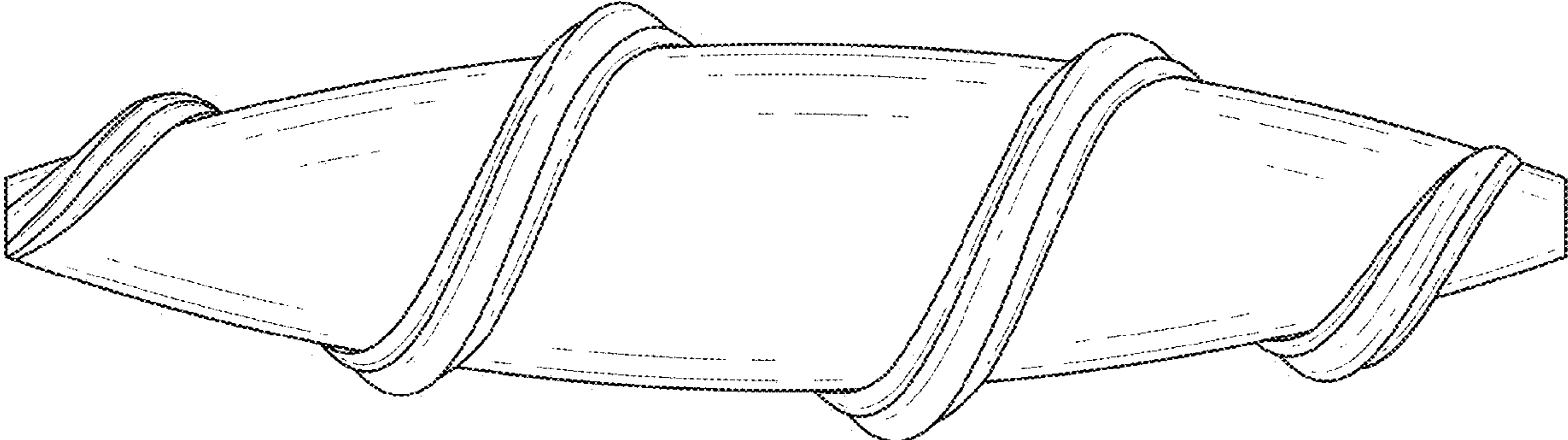


FIG. 4

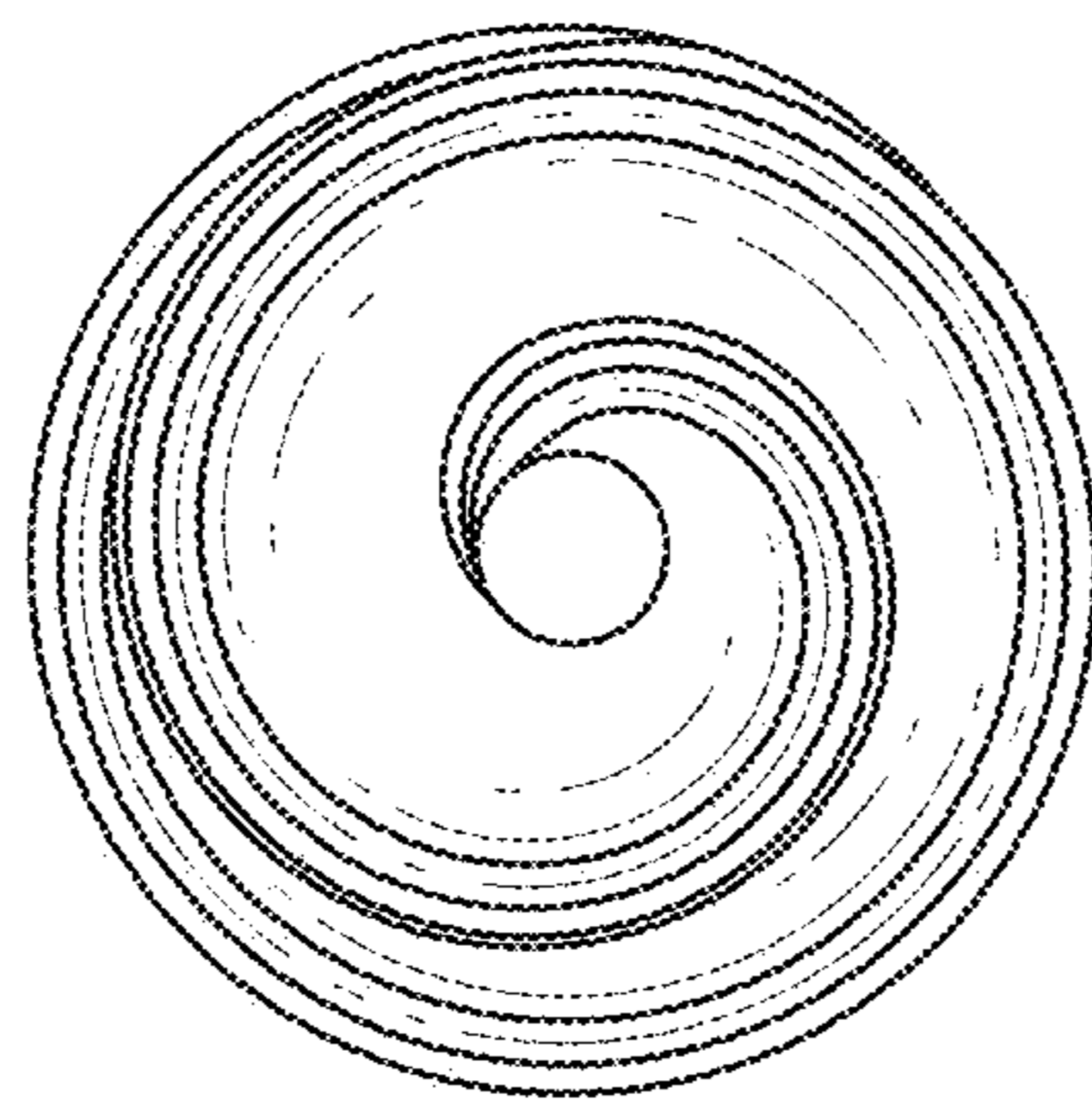


FIG. 5

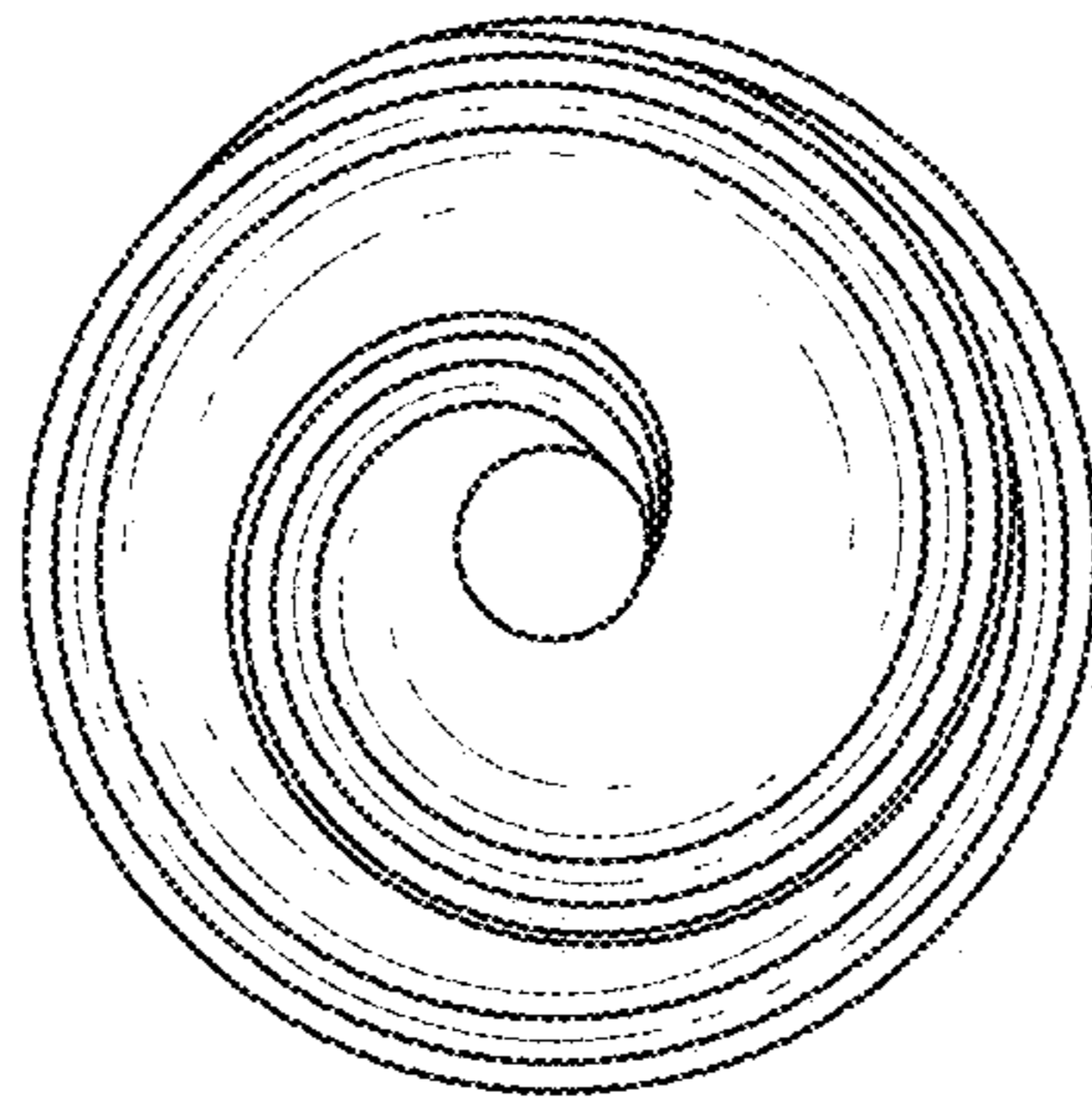


FIG. 6



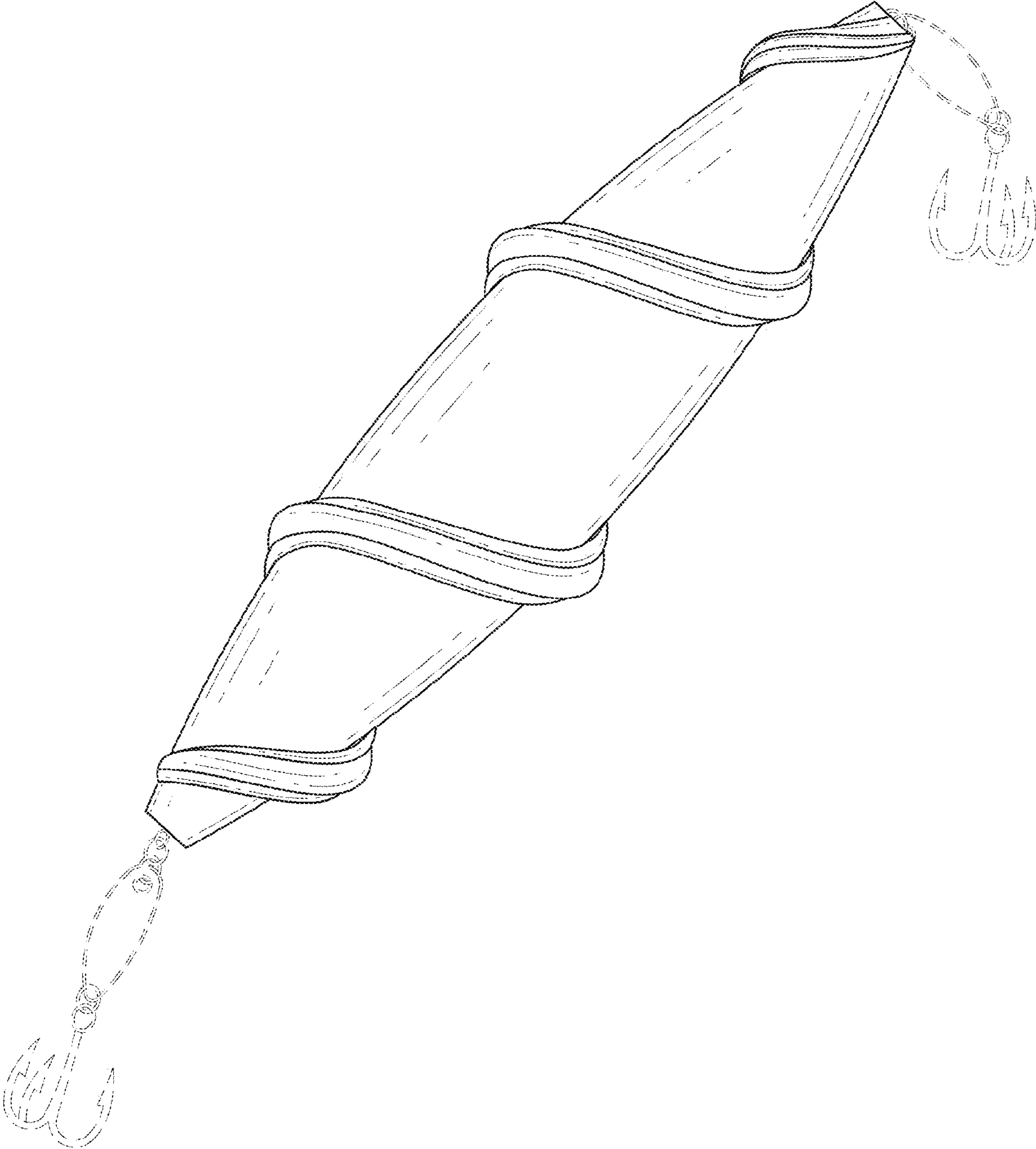


FIG. 7