



US00D979699S

(12) **United States Design Patent** (10) **Patent No.:** **US D979,699 S**
Flores (45) **Date of Patent:** **** Feb. 28, 2023**

(54) **ANIMAL CONTROL DEVICE**
(71) Applicant: **Ronal Alberto Flores**, Redwood City, CA (US)
(72) Inventor: **Ronal Alberto Flores**, Redwood City, CA (US)
(**) Term: **15 Years**
(21) Appl. No.: **29/788,921**
(22) Filed: **Aug. 13, 2021**
(51) **LOC (14) Cl.** **22-06**
(52) **U.S. Cl.**
USPC **D22/120**; D30/199
(58) **Field of Classification Search**
USPC D22/119–133
CPC A01K 15/04; A01K 15/21; A01K 15/022; A01K 15/023; A01K 11/006; A01K 27/009; A01K 29/00; A01K 3/005; A01K 15/02; A01K 15/021; A01M 29/18; A01M 29/00; A01M 1/08; A01M 1/106; A01M 1/026; A01M 1/2011; A01M 23/38; A01M 29/12; A01M 29/16; A01M 29/34; A01M 29/28; A01M 2200/011; A01M 2200/012; A01M 29/10; A01M 31/002; A01M 29/30; A01M 29/06; A01M 29/08; H04N 5/4403; A01N 25/20; A01N 37/44; A01N 43/16; A01N 49/00; B05B 12/12; Y10S 119/905
See application file for complete search history.

(56) **References Cited**
U.S. PATENT DOCUMENTS
1,727,666 A * 9/1929 Nicks A01M 23/18 43/69
2,485,319 A * 10/1949 Rosen A01M 23/18 43/61

3,823,504 A * 7/1974 Dosch A01M 23/18 43/61
3,975,857 A * 8/1976 Branson A01M 23/18 43/61
5,746,020 A * 5/1998 Fiore, Jr. A01M 23/24 43/85

(Continued)

FOREIGN PATENT DOCUMENTS

CN 200630060765 * 5/2006
CN 201630109868.5 * 4/2016
CN 201830326529 * 6/2018

OTHER PUBLICATIONS

Squirrel Traps Outdoor, posted Apr. 8, 2021 [online], [retrieved Oct. 14, 2022]. Retrieved from internet, [https://www.amazon.com/Squirrel-Traps-Outdoor-Ouell-Squirrels/dp/B0777SKCDK/ref=asc_df_B0777SKCDK/?\(Date:2022\)\(Year:2021\).*](https://www.amazon.com/Squirrel-Traps-Outdoor-Ouell-Squirrels/dp/B0777SKCDK/ref=asc_df_B0777SKCDK/?(Date:2022)(Year:2021).*)

(Continued)

Primary Examiner — Christian P. McLean
Assistant Examiner — Kristopher Michael Blechschmidt
(74) *Attorney, Agent, or Firm* — Ray K. Shahani, Esq.

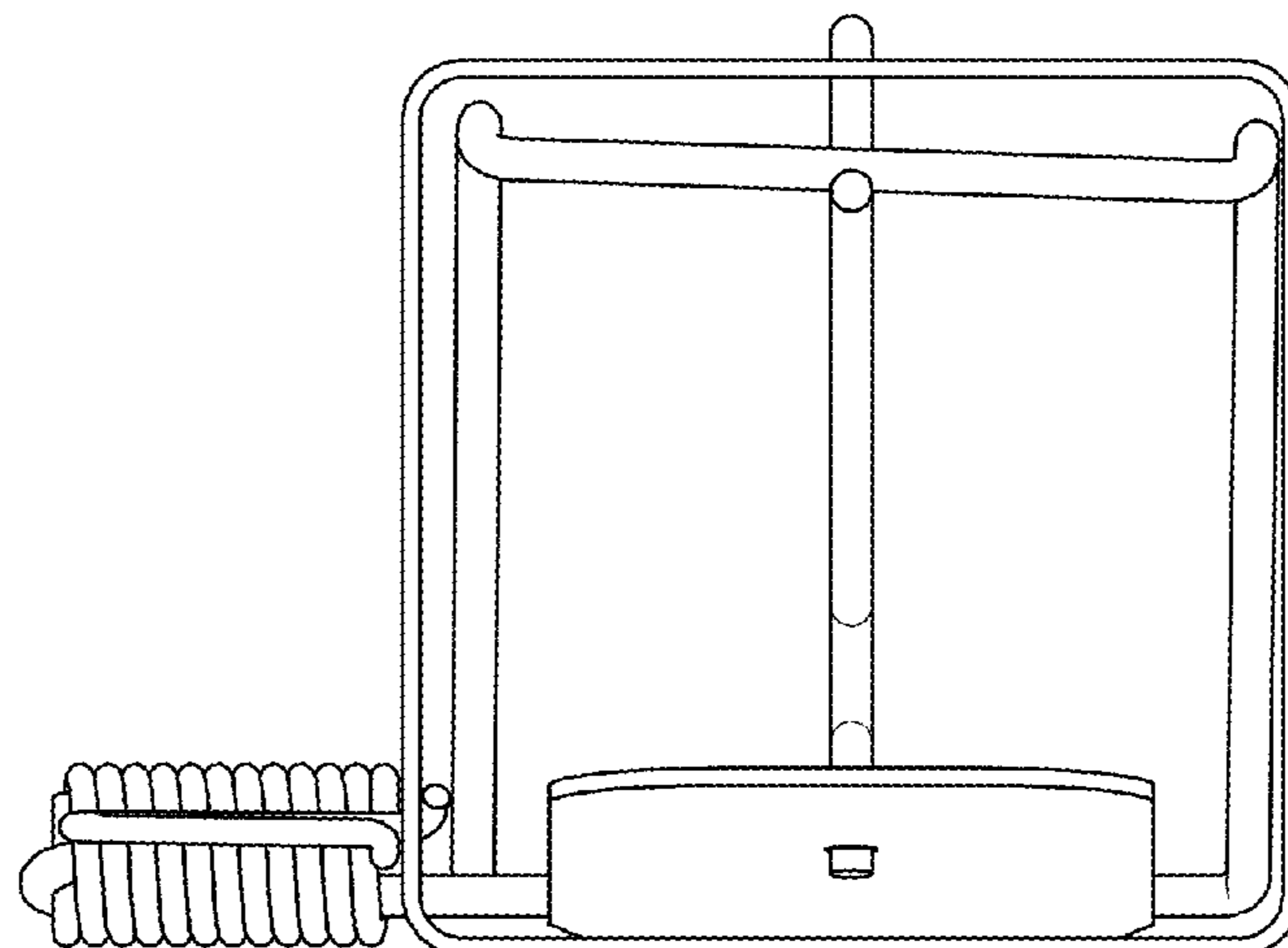
(57) **CLAIM**

The ornamental design for an animal control device, as shown and described.

DESCRIPTION

FIG. 1 is a front view of an animal control device showing my new design.
FIG. 2 is a rear view thereof.
FIG. 3 is a right side view thereof.
FIG. 4 is a left side view thereof.
FIG. 5 is a top view thereof.
FIG. 6 is a bottom view thereof.
FIG. 7 is a right front perspective view thereof.
FIG. 8 is a left front perspective view thereof
FIG. 9 is a right rear perspective view thereof.
FIG. 10 is a left rear perspective view thereof; and,
FIG. 11 is a left front in-use perspective view thereof.

(Continued)



The broken lines depict environmental subject matter and form no part of the claim.

1 Claim, 10 Drawing Sheets

2010/0236132 A1* 9/2010 Rivera A01M 23/38
43/98
2013/0031824 A1* 2/2013 Arlichson A01M 23/18
43/60
2020/0315156 A1* 10/2020 Giacia A01M 23/16

OTHER PUBLICATIONS

Tomahawk Dura Poly, posted unknown [online], [retrieved Oct. 14, 2022]. Retrieved from internet, <https://www.domyown.com/tomahawk-dura-poly-live-trap-for-raccoons-similar-sized-animals-model-1232-p-3131.html?> (Date:2022) (Year: 2022).*

Tomahawk 3310G, posted unknown [online], [retrieved Oct. 14, 2022]. Retrieved from internet, <https://www.domyown.com/tomahawk-3310g-metal-small-rodent-trap-model-101-p-2661.html?gclid> (Date:2022) (Year: 2022).*

Big Pete Multiple Catch, posted unknown [online], [retrieved Oct. 14, 2022]. Retrieved from internet, <https://www.jteaton.com/professional/productinfo/images/450CL.jpg> (Date:2022) (Year: 2022).*

* cited by examiner

(56)

References Cited

U.S. PATENT DOCUMENTS

5,979,108 A * 11/1999 Adams A01M 1/2011
43/131
7,793,460 B2 * 9/2010 Ha A01M 23/18
43/61
7,856,752 B1 * 12/2010 Eilersen A01M 1/14
43/115
D882,725 S * 4/2020 Upholz D22/119

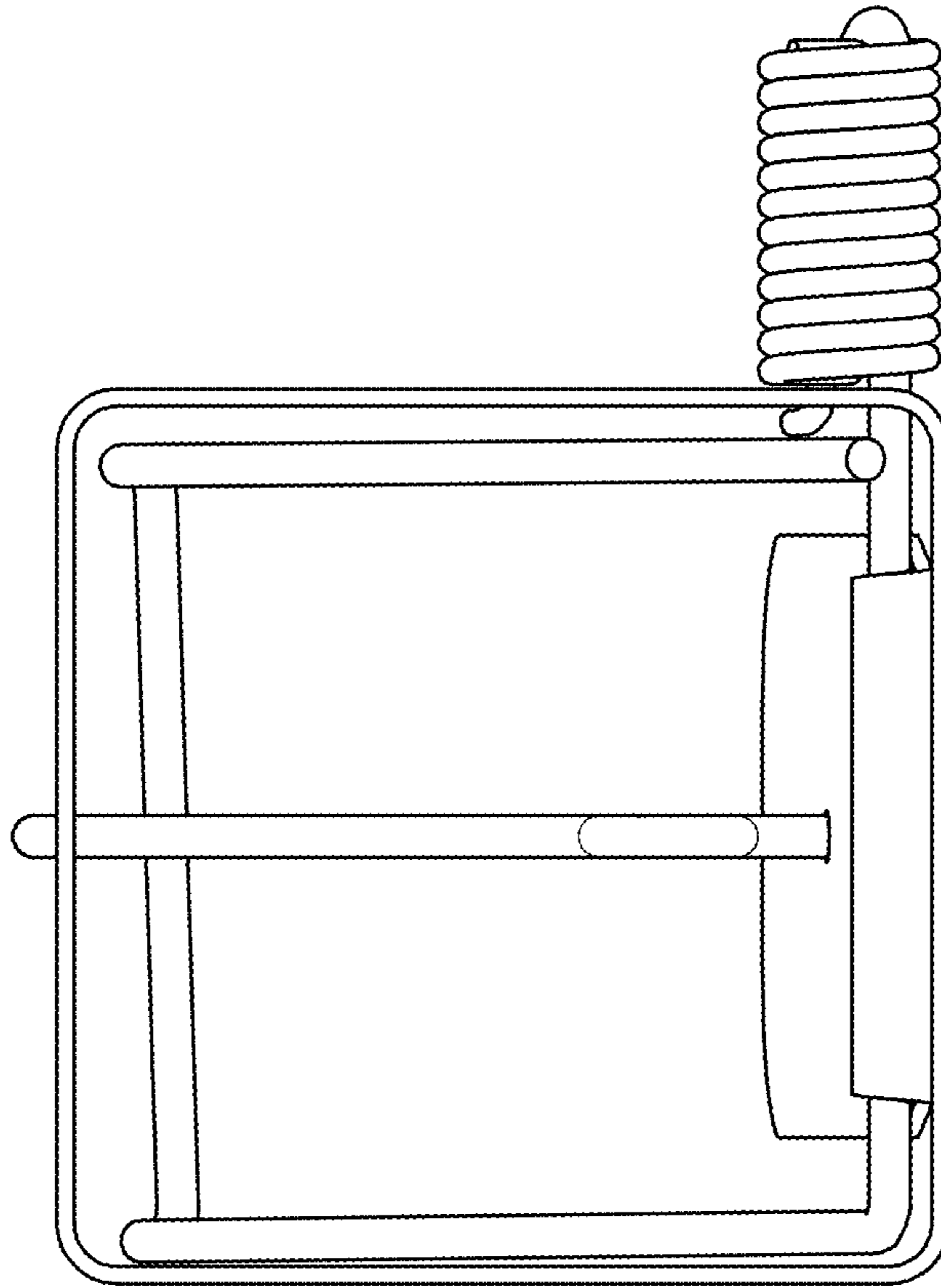


FIG. 1

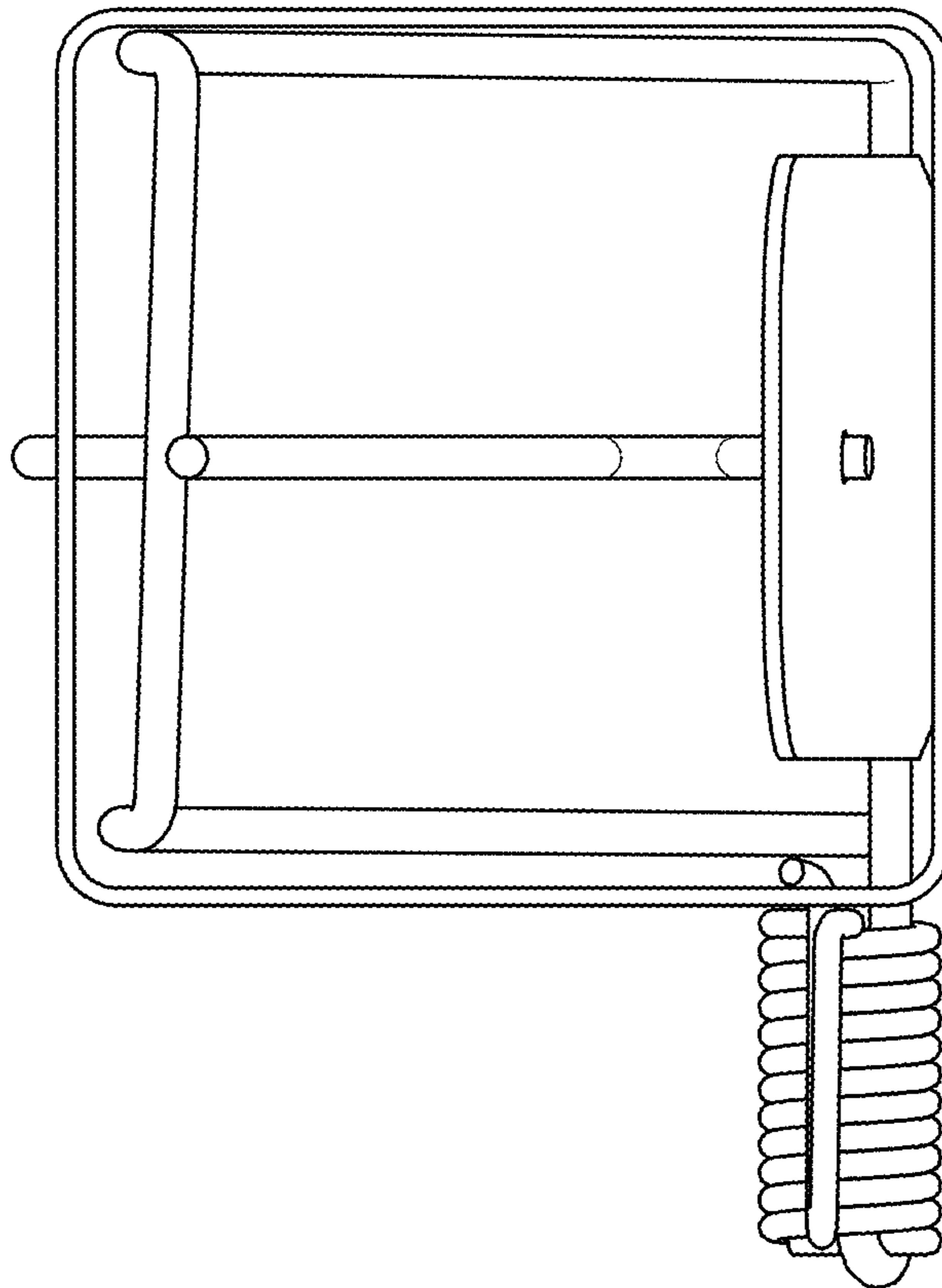


FIG. 2

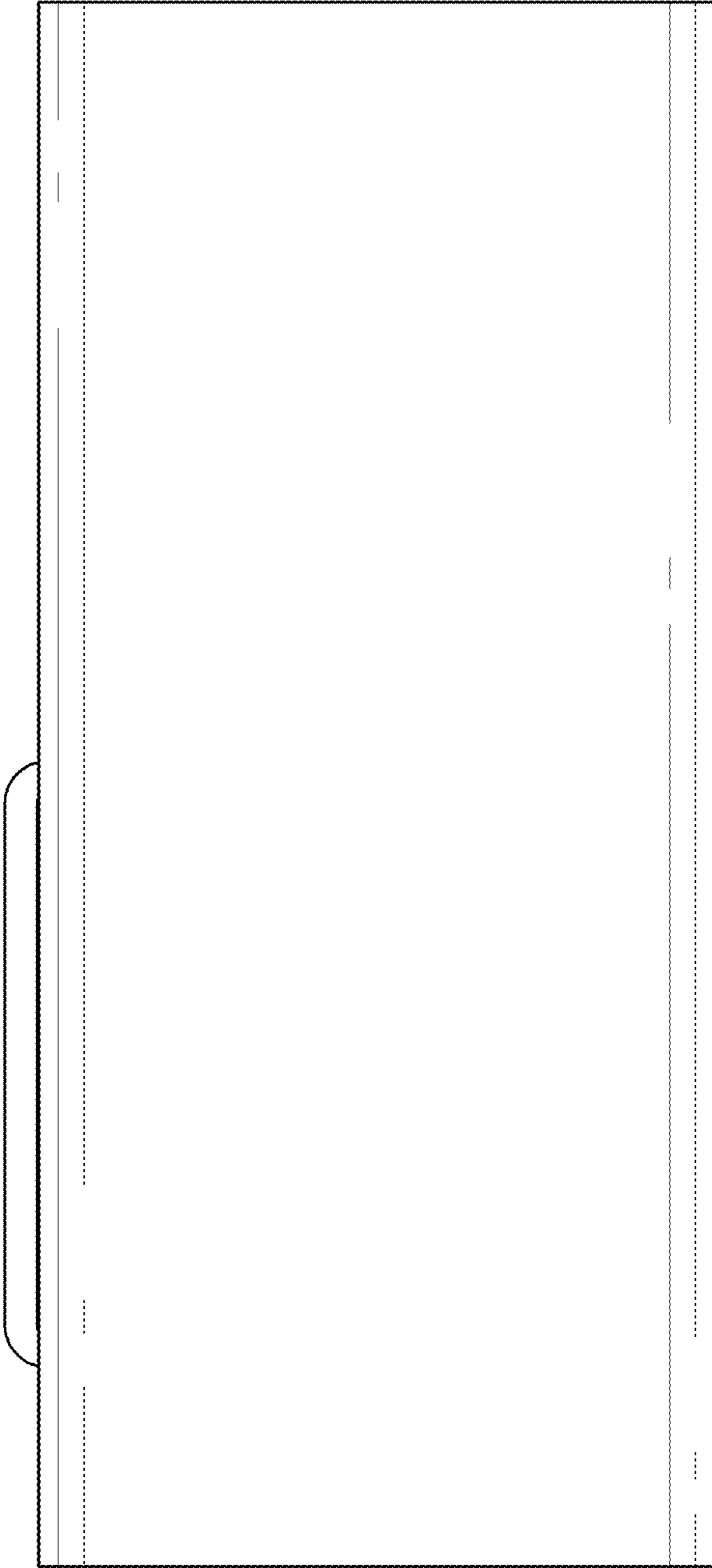


FIG. 3

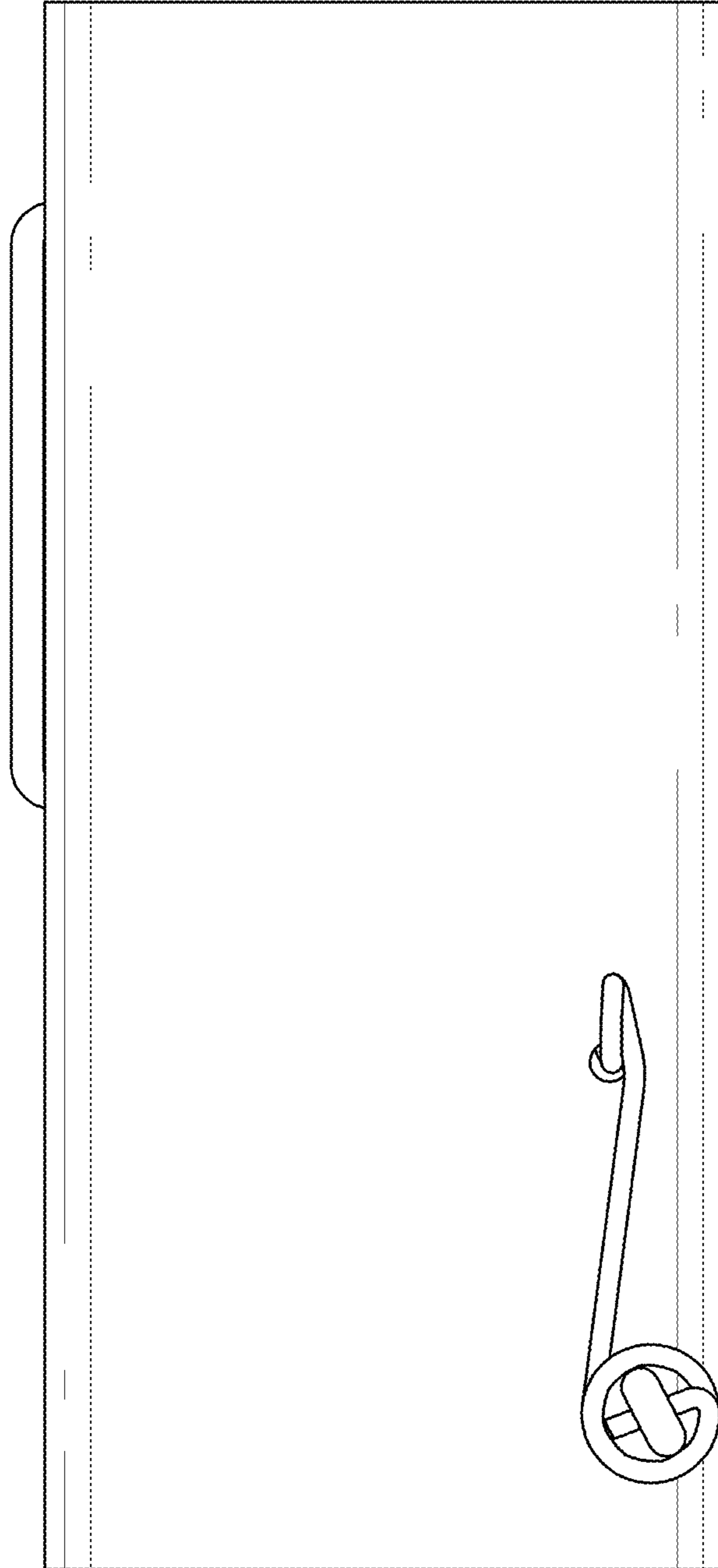


FIG. 4

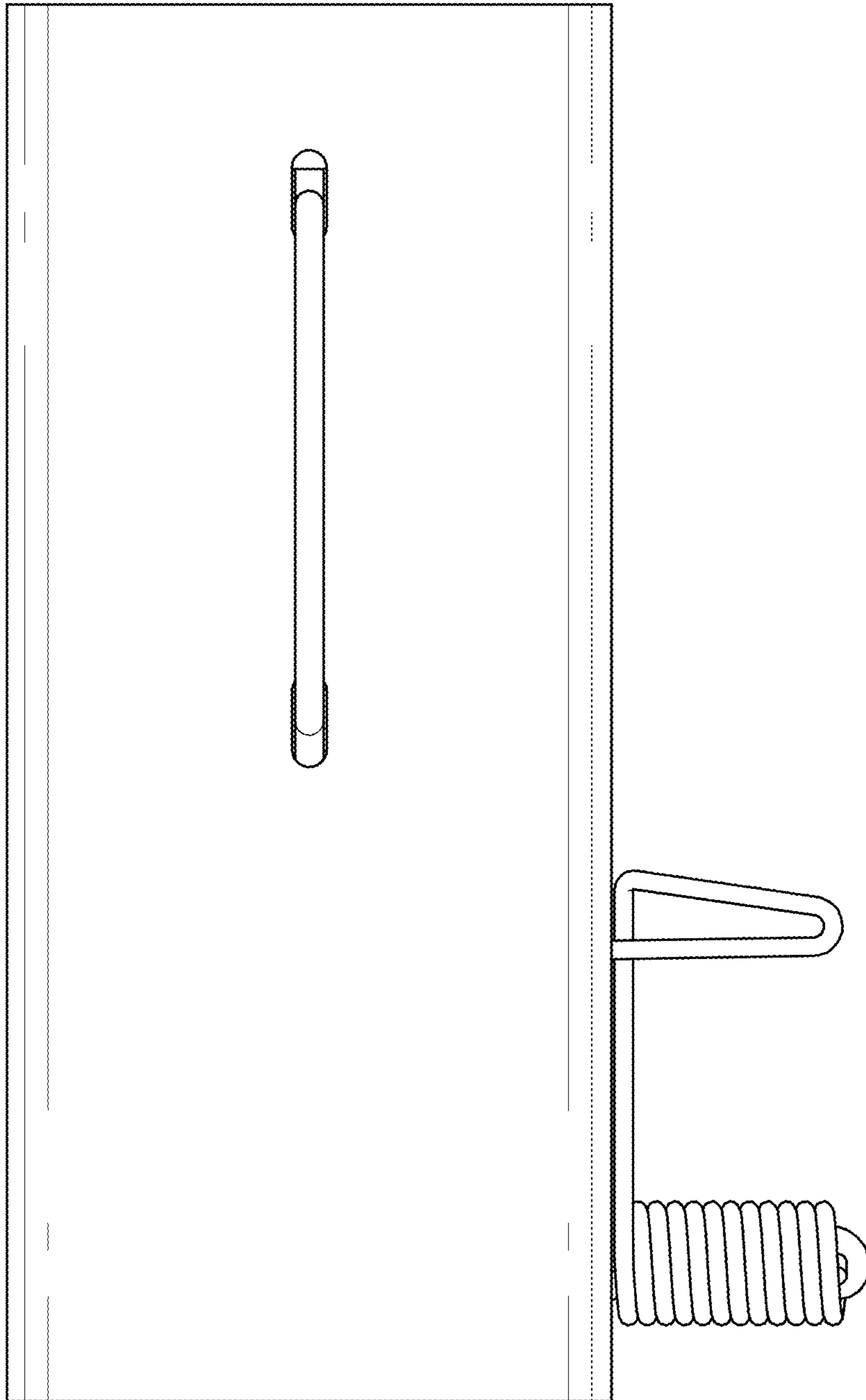


FIG. 5

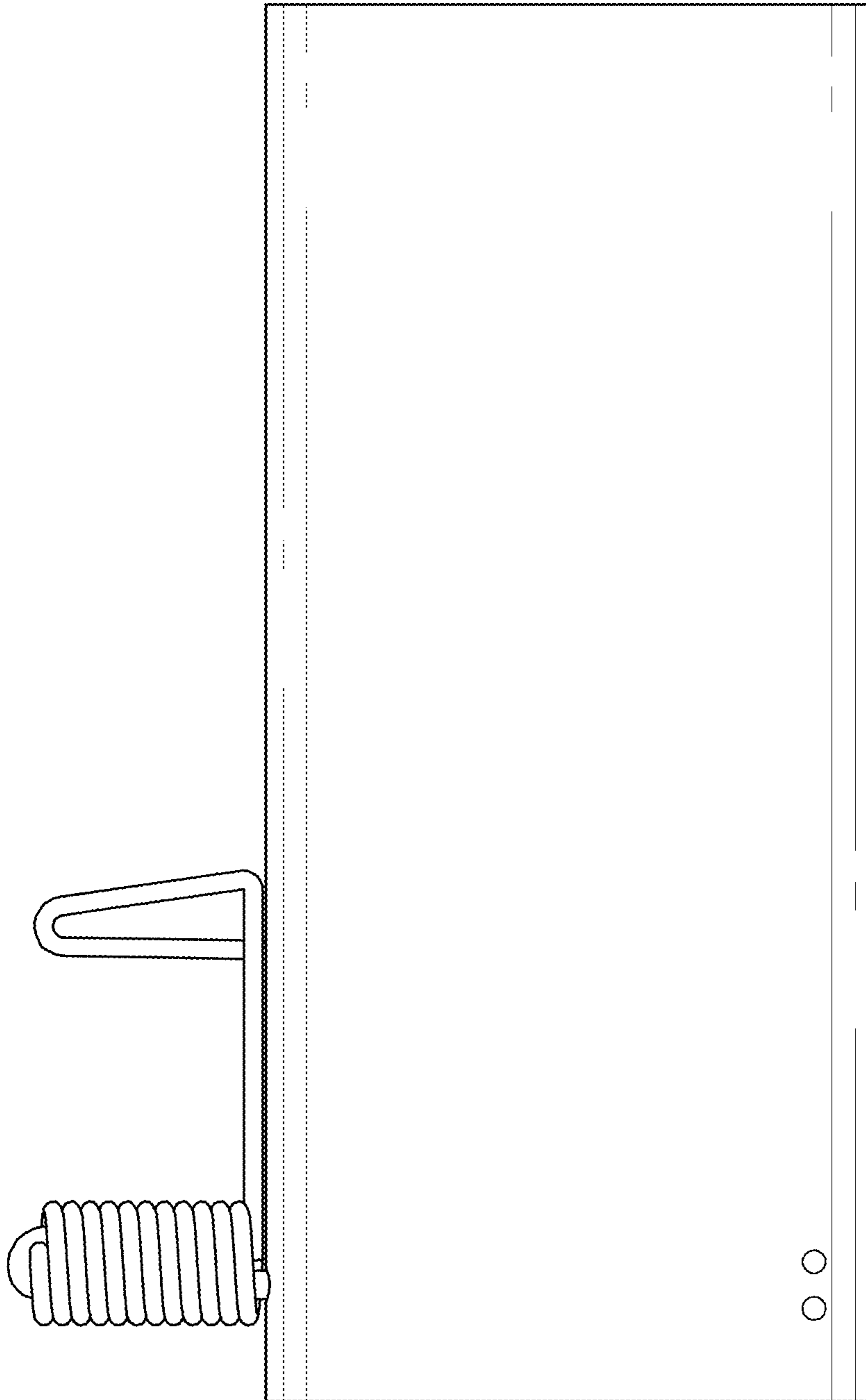


FIG. 6

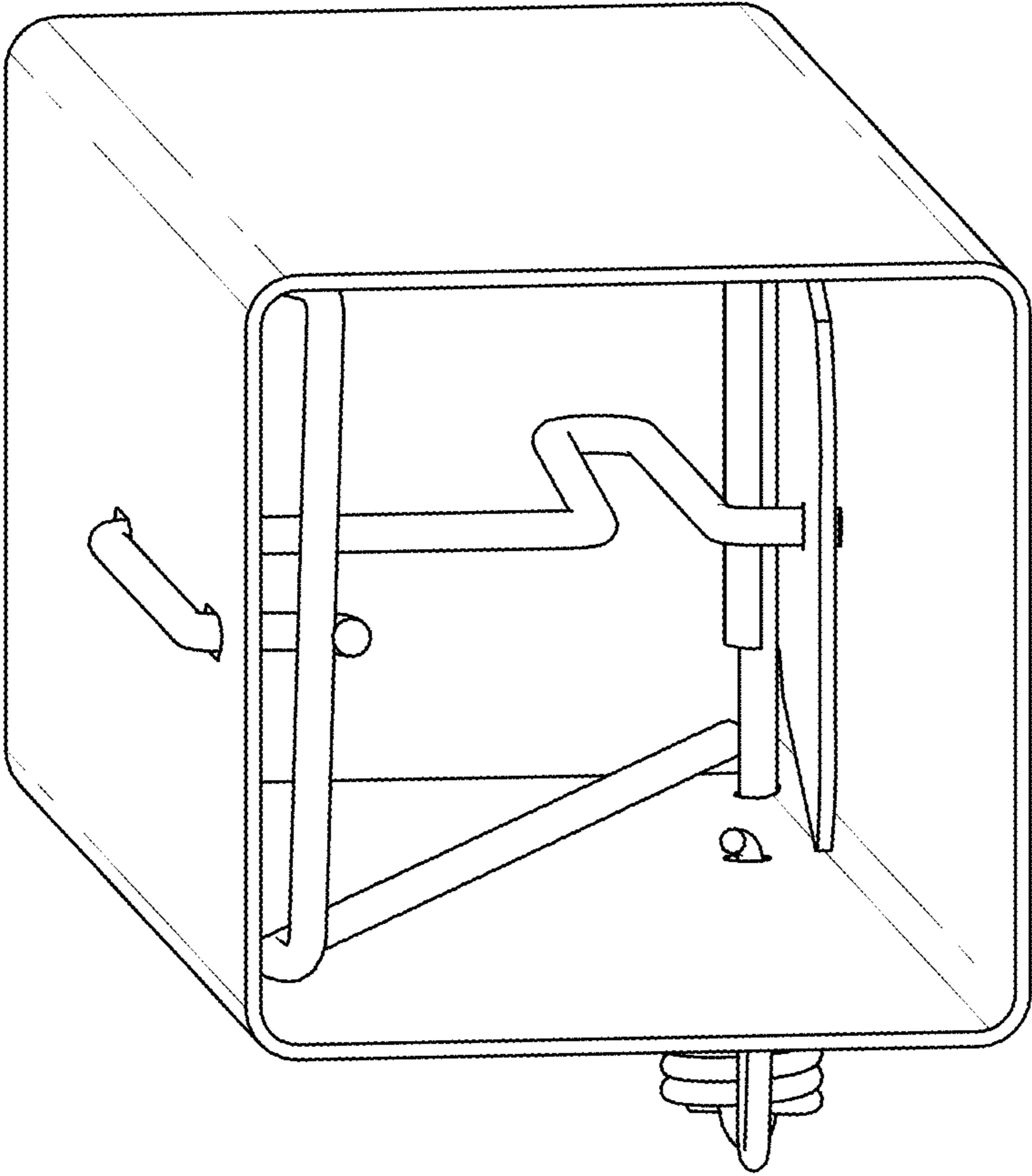


FIG. 7

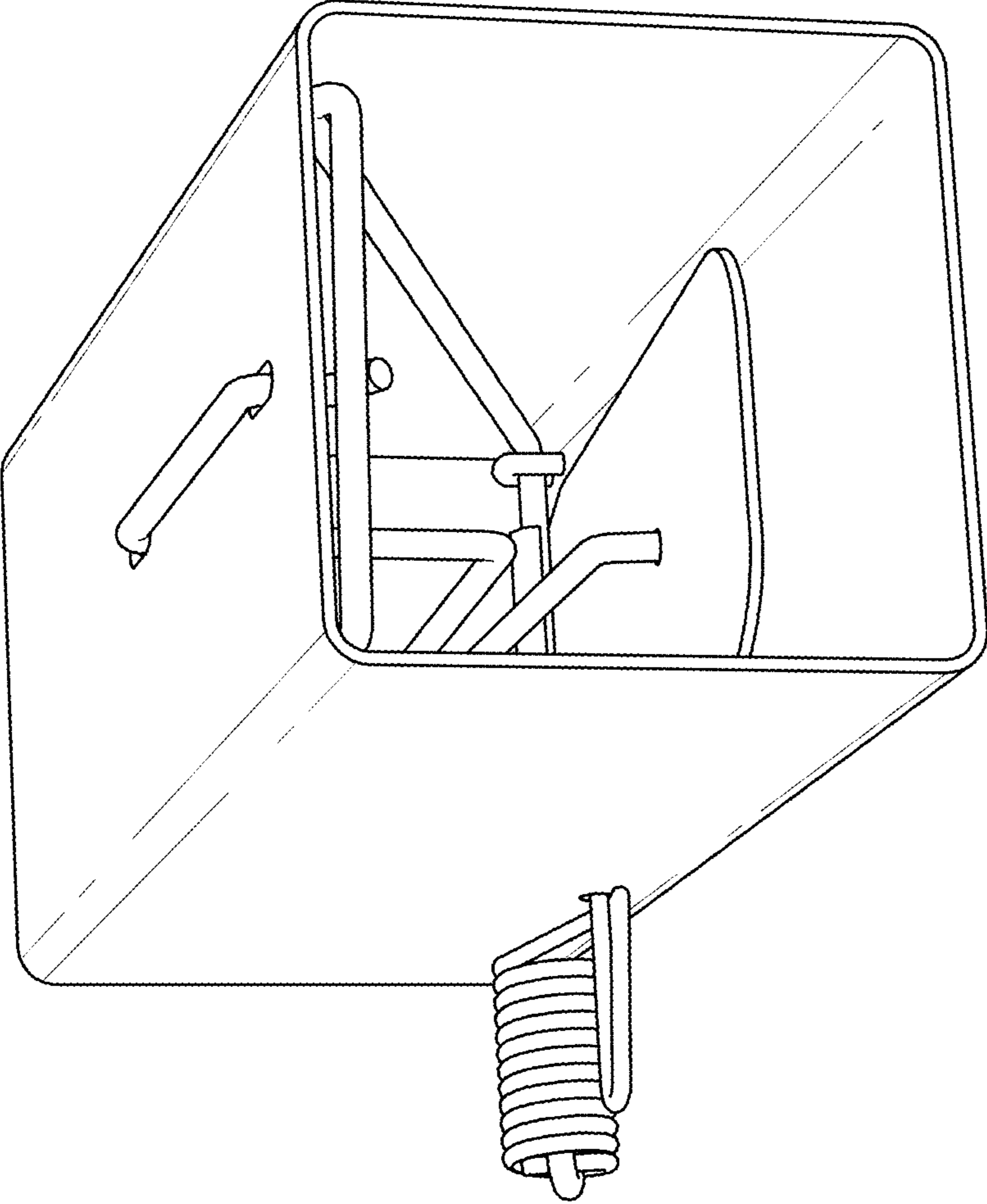


FIG. 8

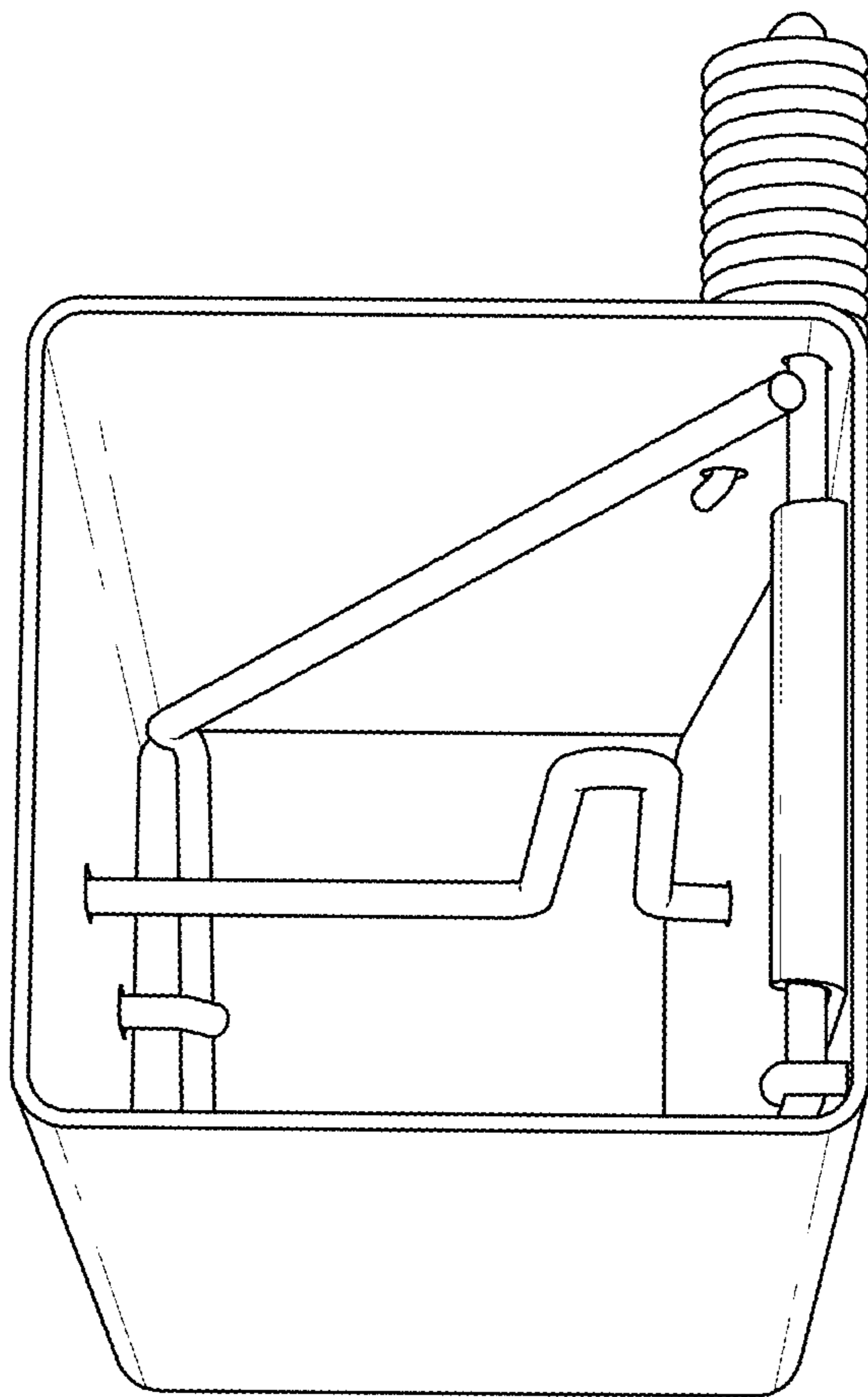


FIG. 9

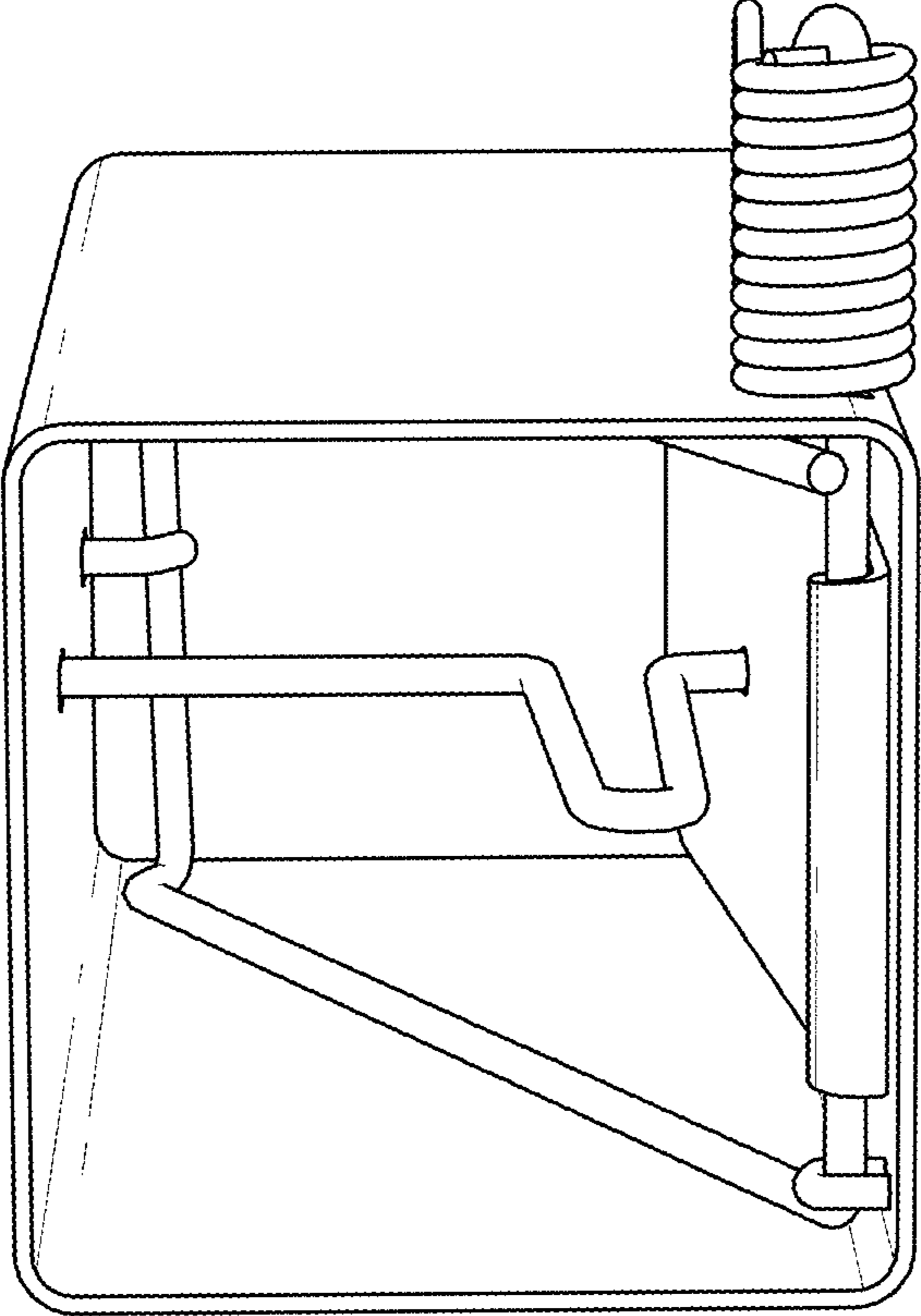


FIG. 10

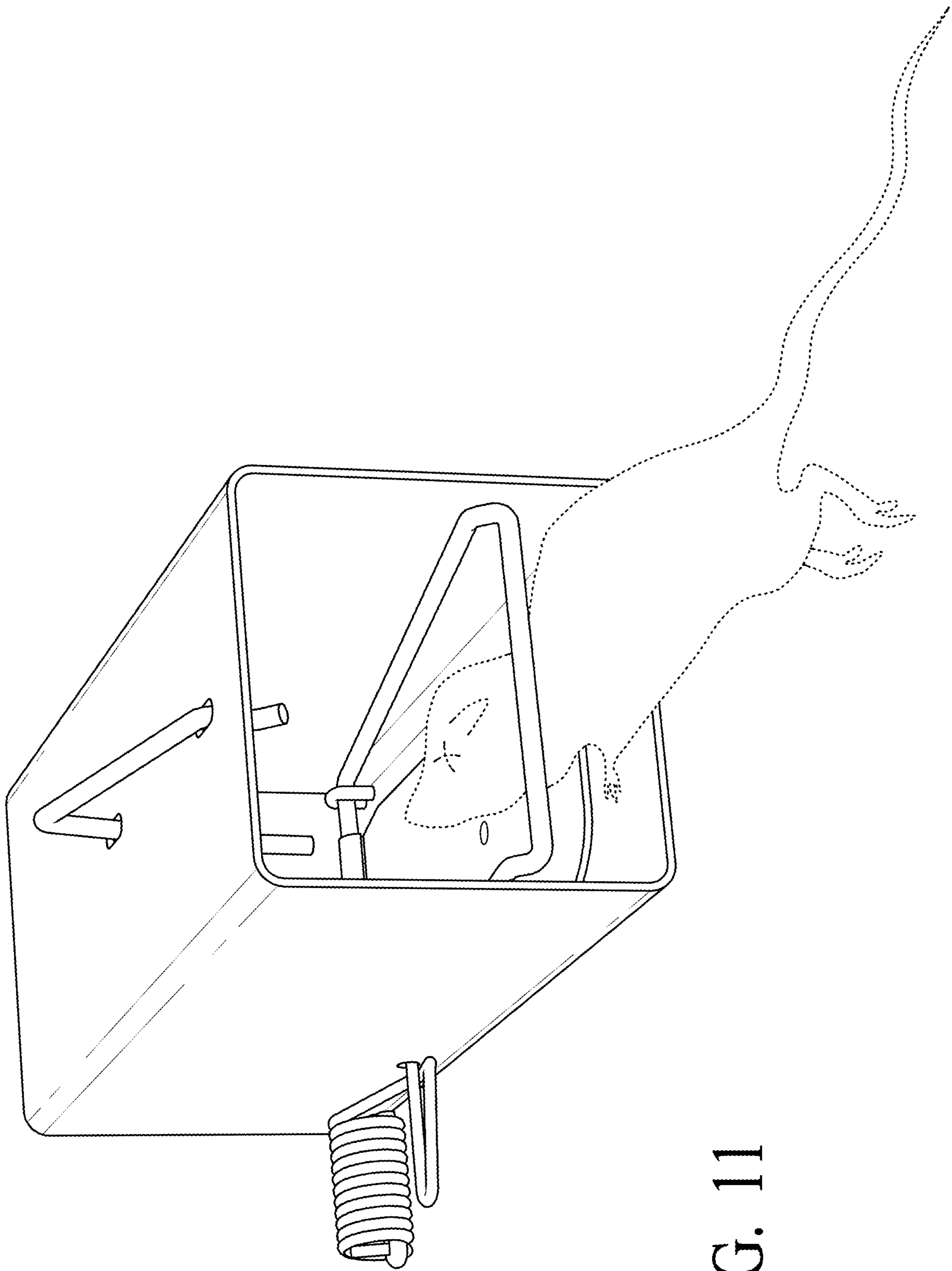


FIG. 11