



US00D979697S

(12) **United States Design Patent**
Cheng

(10) **Patent No.:** **US D979,697 S**

(45) **Date of Patent:** **** Feb. 28, 2023**

(54) **SHOOTING TARGET**

(71) Applicant: **Guangzhou Haoqi Qin Trading Co., Ltd.**, Guangzhou (CN)

(72) Inventor: **Pianpian Cheng**, Foshan (CN)

(**) Term: **15 Years**

(21) Appl. No.: **29/771,925**

(22) Filed: **Feb. 25, 2021**

(51) **LOC (14) Cl.** **22-04**

(52) **U.S. Cl.**
USPC **D22/113**

(58) **Field of Classification Search**
USPC D22/113; D21/302, 790
CPC F41J 1/10; F41J 5/14; F41J 1/00; F41J 3/0004

See application file for complete search history.

D856,462 S	8/2019	Wilson	
D860,376 S	9/2019	Boso	
D896,916 S	9/2020	Temple et al.	
D909,530 S *	2/2021	Montgomery	D22/113
D917,653 S *	4/2021	Howell	D22/113
D917,654 S *	4/2021	Howell	D22/113
2015/0330748 A1 *	11/2015	Anzalone	F41J 7/04 273/390
2016/0370153 A1 *	12/2016	Cote	F41J 1/10
2018/0087881 A1 *	3/2018	Bickel	F41J 5/18

* cited by examiner

Primary Examiner — Michael A. Pratt

(74) *Attorney, Agent, or Firm* — Xiaofang Zhong

(57) **CLAIM**

The ornamental design for a shooting target, as shown and described.

DESCRIPTION

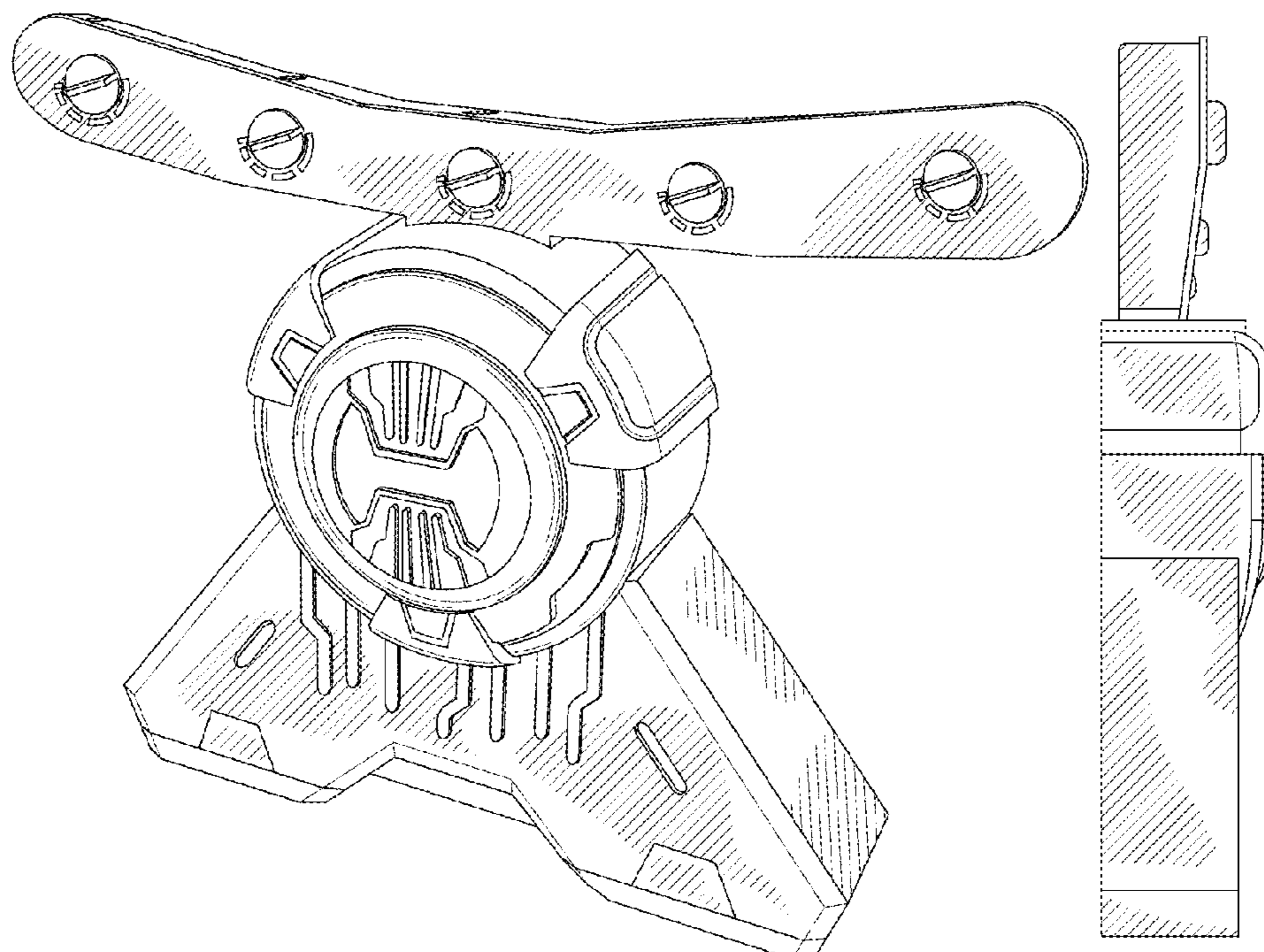
FIG. 1 is a perspective view of a shooting target showing my new design;
 FIG. 2 is a front elevational view thereof;
 FIG. 3 is a back elevational view thereof;
 FIG. 4 is a right-side elevational view thereof;
 FIG. 5 is a left-side elevational view thereof;
 FIG. 6 is a top plan view thereof;
 FIG. 7 is a bottom plan view thereof;
 FIG. 8 is a perspective view of the shooting target thereof; and,
 FIG. 9 is a perspective view thereof.
 The broken lines in the drawings depict part of the shooting target that form no part of the claimed design.

1 Claim, 7 Drawing Sheets

(56) **References Cited**

U.S. PATENT DOCUMENTS

D329,665 S	9/1992	Carroll	
5,324,043 A *	6/1994	Estrella	F41J 7/04 273/391
D453,038 S	1/2002	Scott	
D624,985 S	10/2010	Kreiman et al.	
D647,994 S	11/2011	Goodman	
D712,003 S	8/2014	Bailey	
D746,938 S	1/2016	Thomson et al.	
D764,623 S	8/2016	Swift	
9,541,356 B2 *	1/2017	Bullis	F41J 1/10
D787,008 S	5/2017	Hale	
D815,241 S	4/2018	Woller	
D819,466 S	6/2018	Linson et al.	
D841,759 S	2/2019	Thompson	



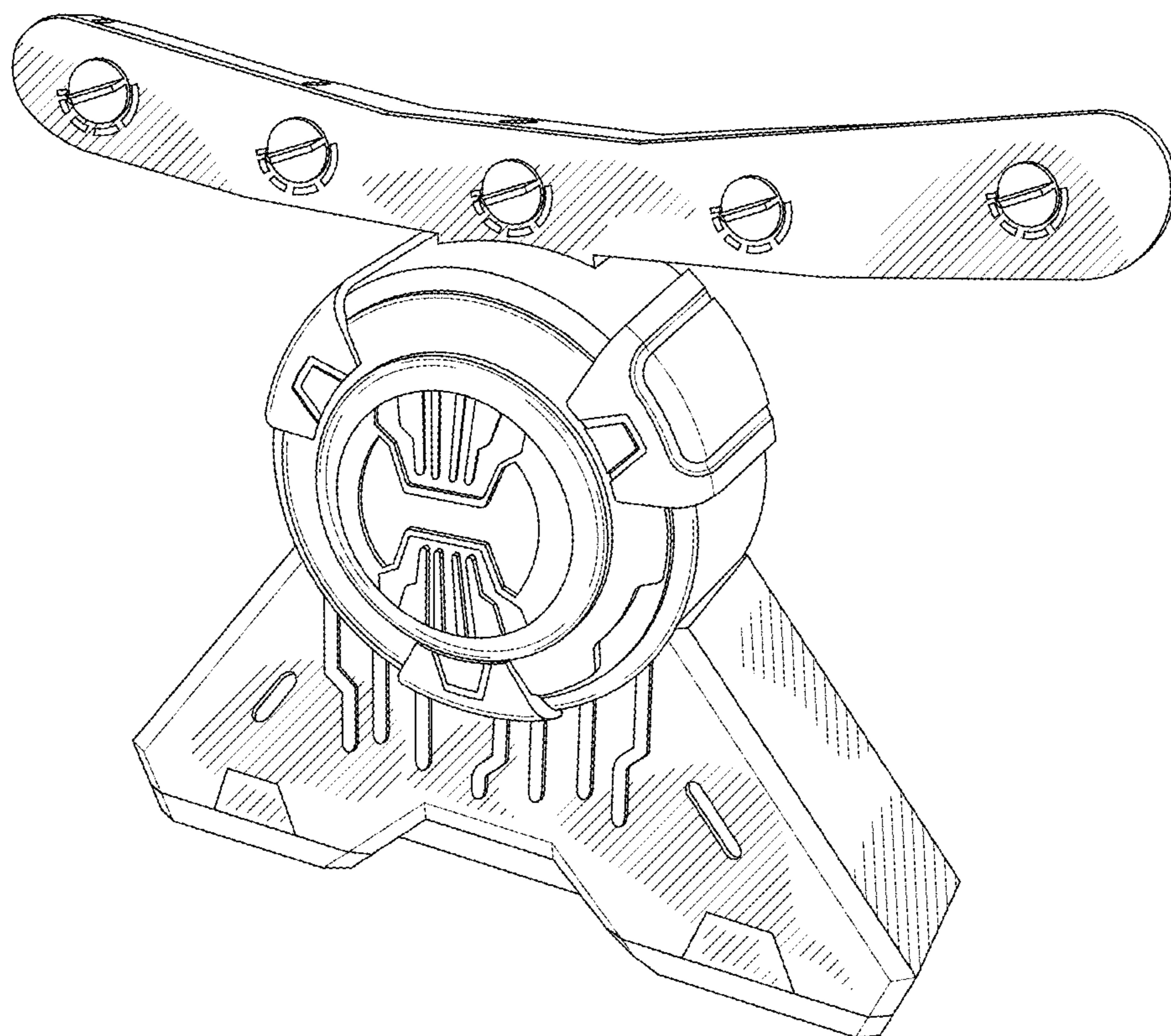


FIG. 1

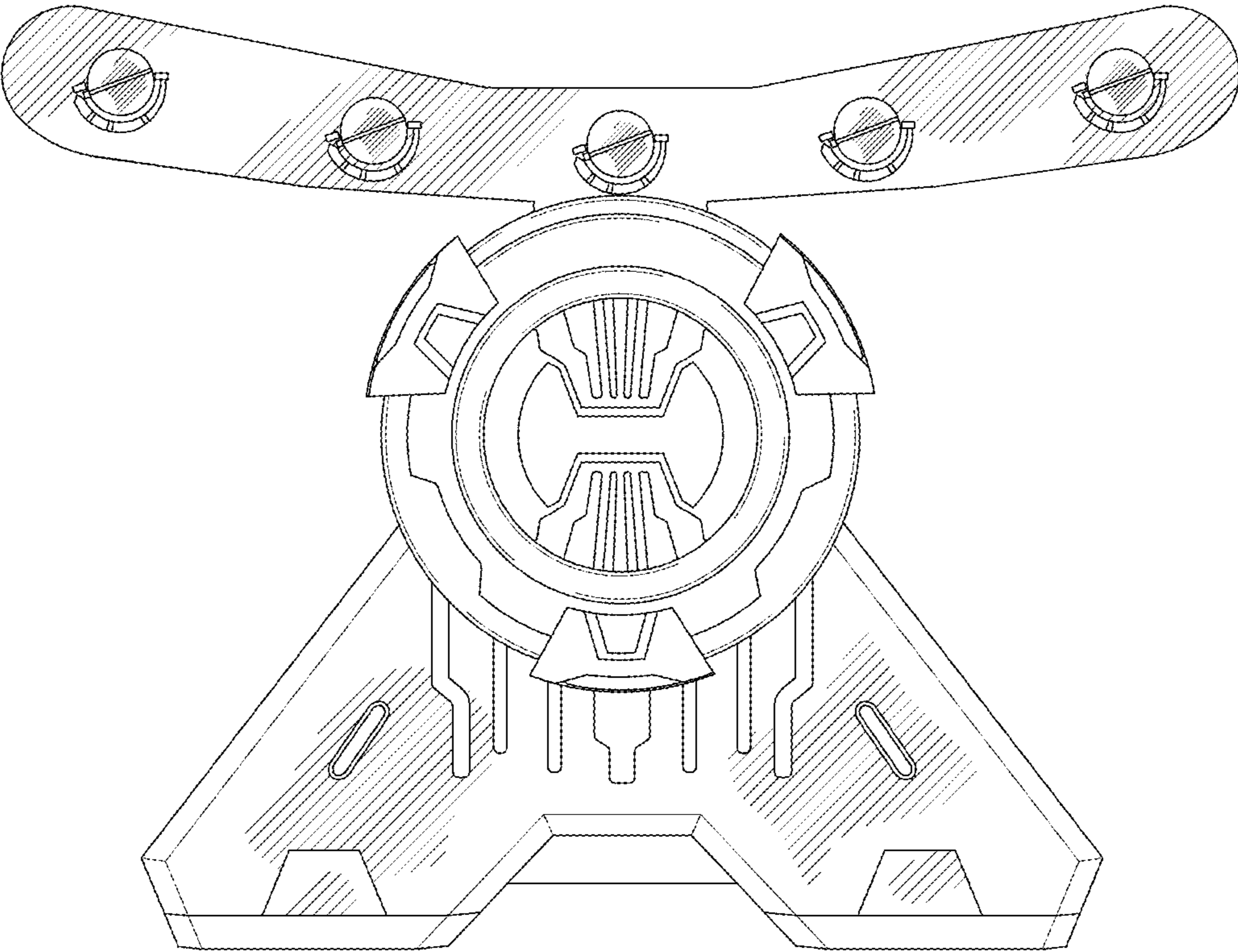


FIG. 2

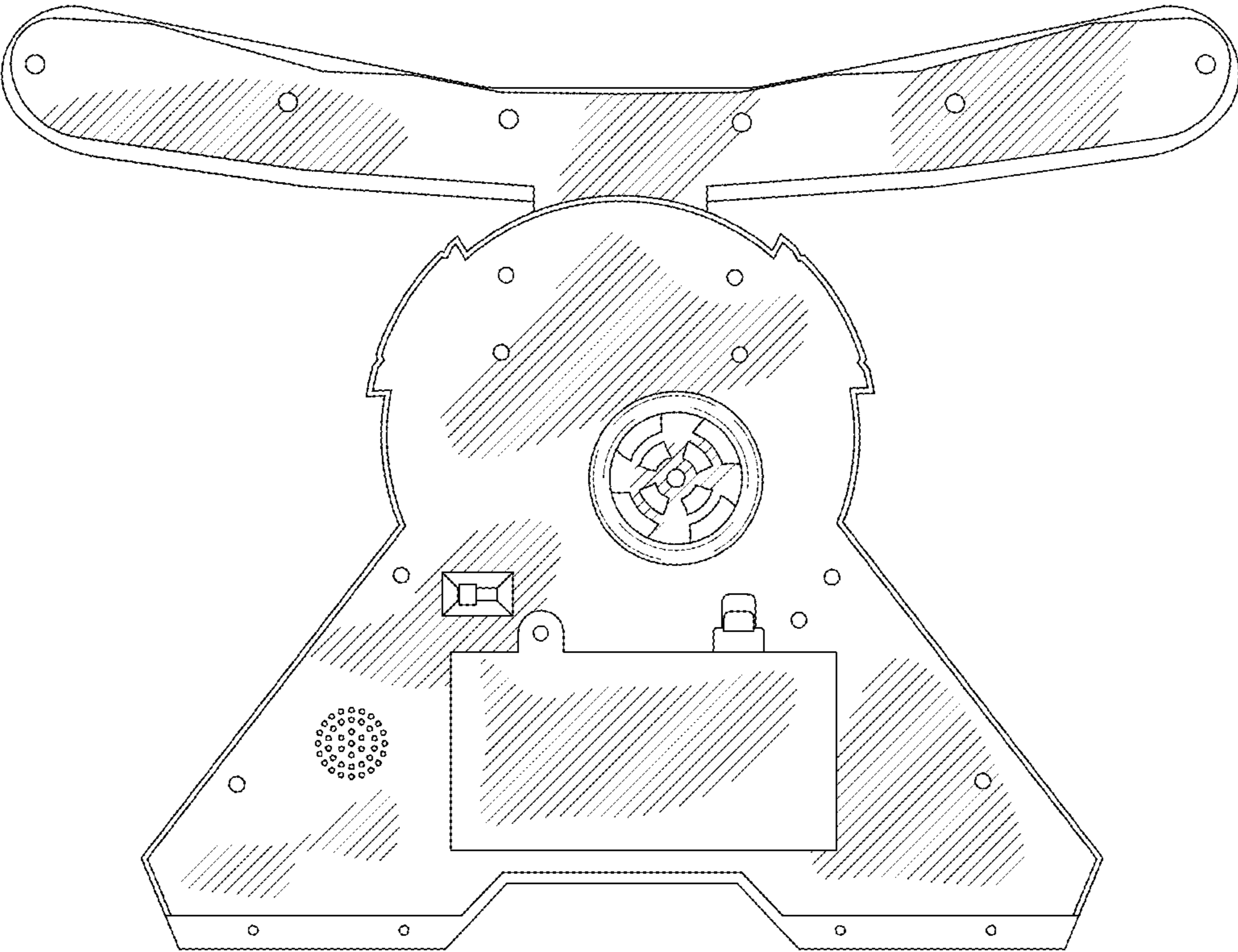


FIG. 3

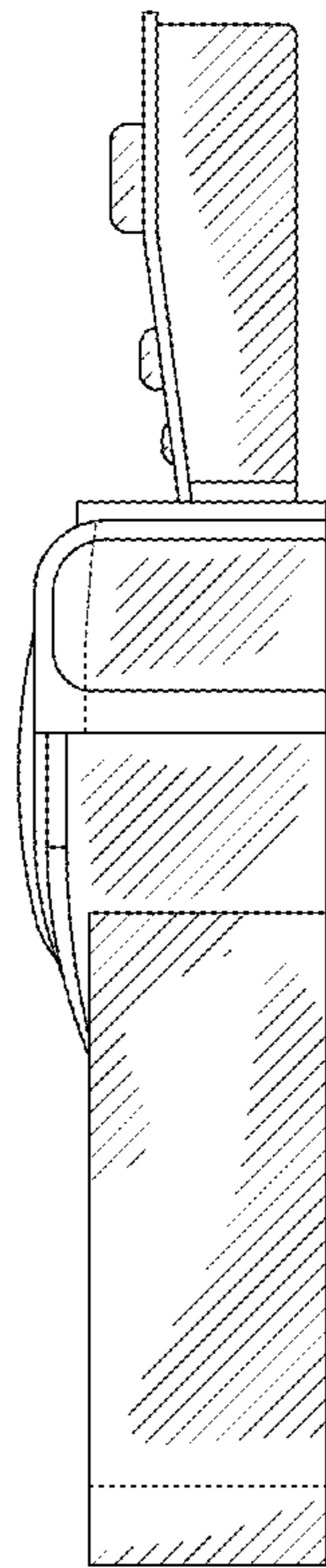


FIG. 4

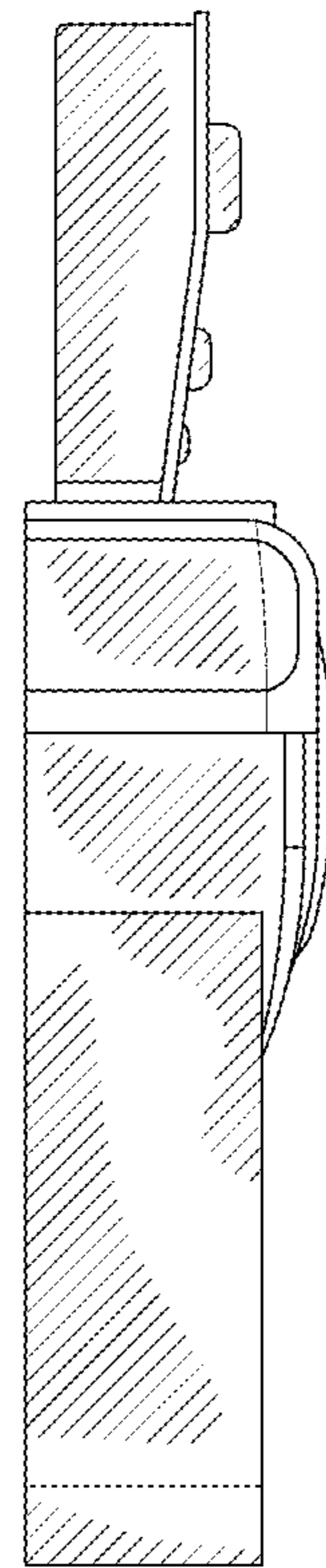


FIG. 5

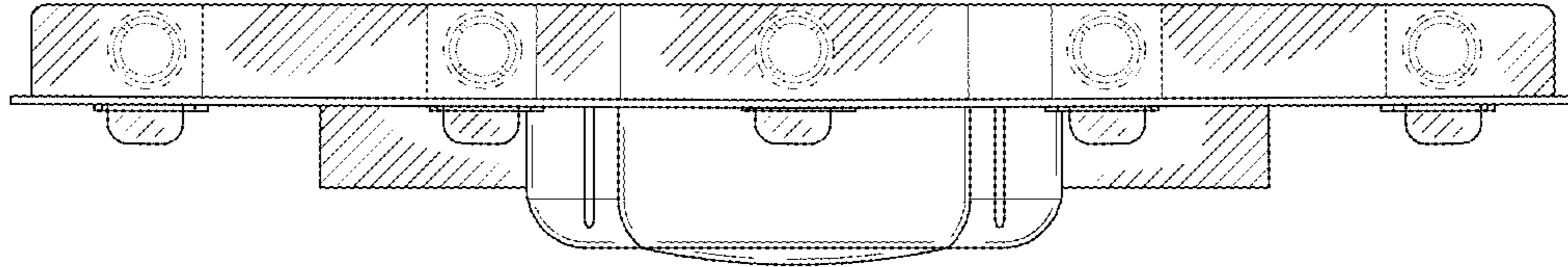


FIG. 6

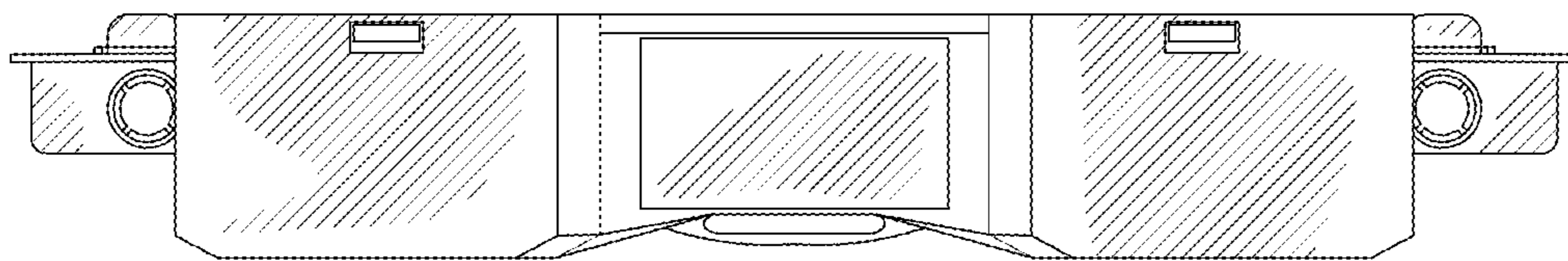


FIG. 7

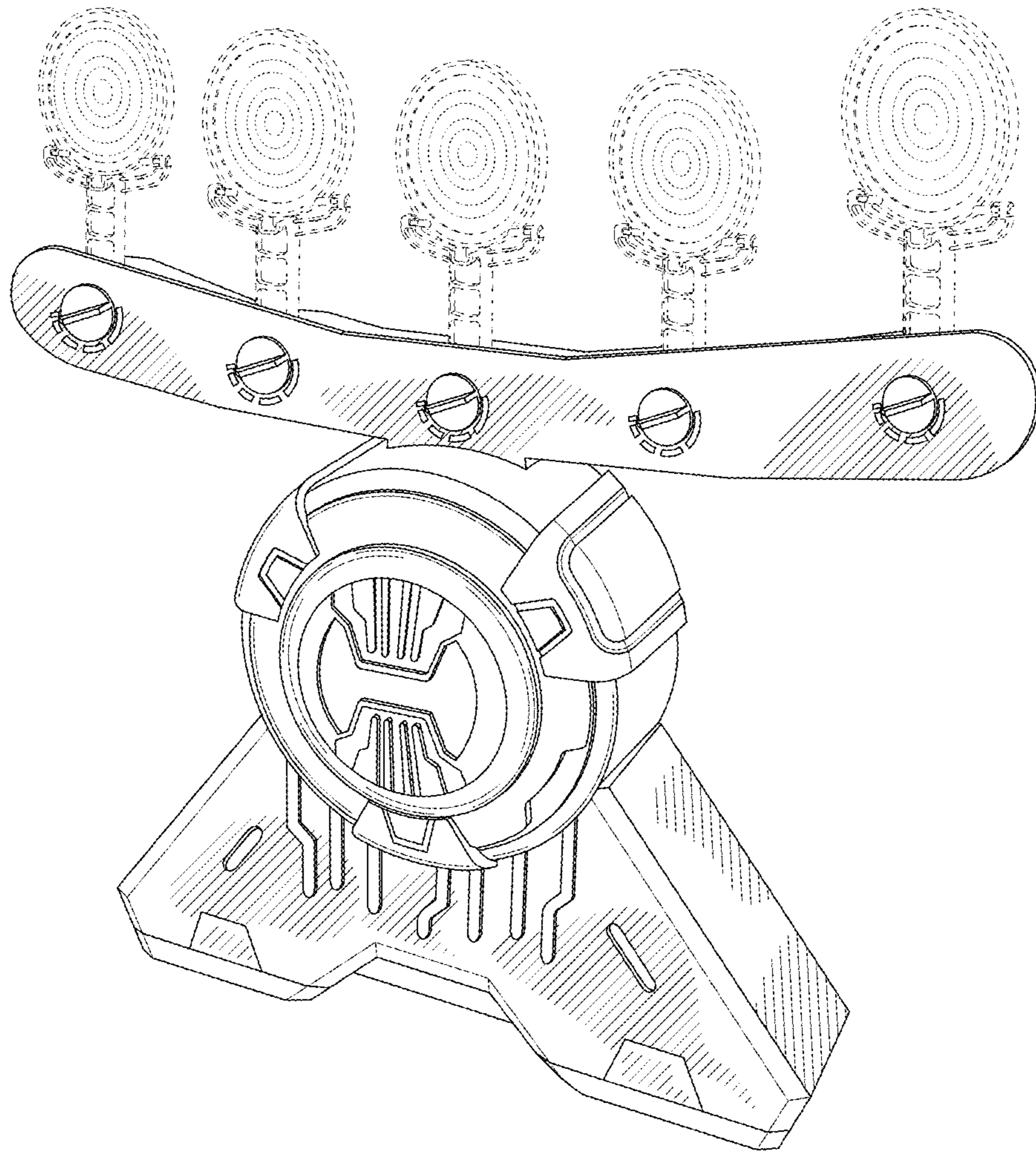


FIG. 8

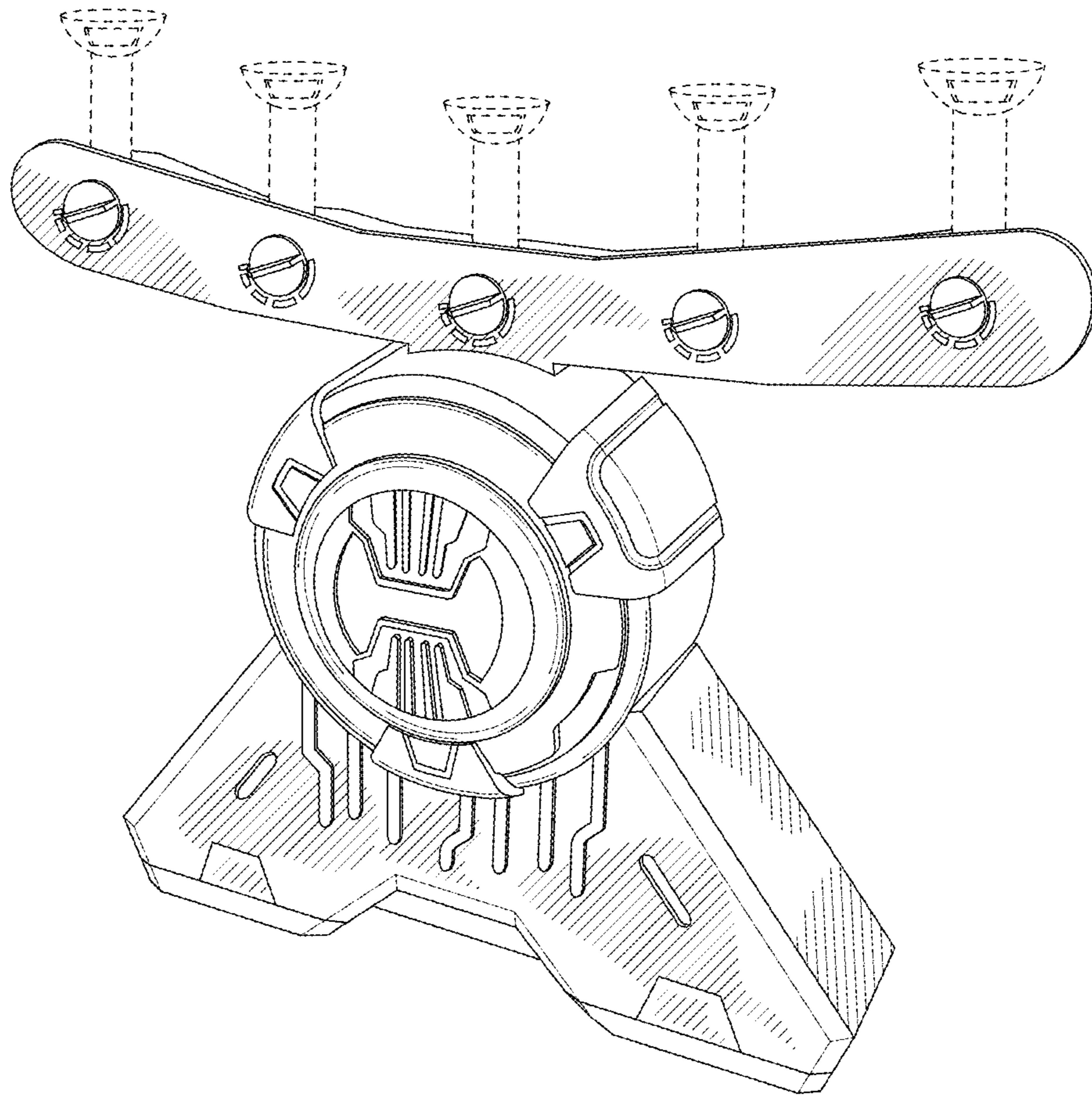


FIG. 9