



US00D979695S

(12) **United States Design Patent** (10) **Patent No.:** **US D979,695 S**
Janicki et al. (45) **Date of Patent:** **** Feb. 28, 2023**

(54) **PLAYGROUND ASSEMBLY**

(71) Applicant: **GROWPLAY PTY., LTD.**, Stirling (AU)

(72) Inventors: **Shane Janicki**, Stirling (AU); **Dylan Smith**, Stirling (AU)

(73) Assignee: **Growplay Pty Ltd.**, Stirling (AU)

(**) Term: **15 Years**

(21) Appl. No.: **29/782,363**

(22) Filed: **May 6, 2021**

(30) **Foreign Application Priority Data**

Dec. 17, 2020 (AU) 202016885

(51) **LOC (14) Cl.** **21-03**

(52) **U.S. Cl.**
USPC **D21/814**

(58) **Field of Classification Search**
USPC D21/814, 686, 694, 677, 679, 692, 703,
D21/715, 765, 756, 691, 662, 826
See application file for complete search history.

(56) **References Cited**

U.S. PATENT DOCUMENTS

D146,557 S *	4/1947	Cosme	D21/826
D173,173 S *	10/1954	Rink	D21/826
D180,402 S *	6/1957	Harris, Jr.	D21/826
2,929,627 A *	3/1960	Scanlon	A63B 9/00 D25/64
D200,651 S *	3/1965	Harris, Jr.	D21/826
D224,245 S *	7/1972	Hock	D21/826
D536,412 S *	2/2007	Nye	D21/826

D664,622 S *	7/2012	Orsulak	D21/826
2018/0093135 A1 *	4/2018	Roberts	A63B 71/02
2022/0168605 A1 *	6/2022	Janicki	A63B 17/02

OTHER PUBLICATIONS

Skywalker sports, announced 2014[online], [site visited Sep. 14, 2022]. Available on internet, URL: <https://www.amazon.com/Skywalker-Sports-Modular-Jungle-Accessories/dp/B00PFITJMC/ref> (Year: 2014).*

* cited by examiner

Primary Examiner — Khawaja Anwar

Assistant Examiner — Julice Seung Eun Oum

(74) *Attorney, Agent, or Firm* — Carrier Shende & Associates, P.C.; Joseph P. Carrier; Fulchand P. Shende

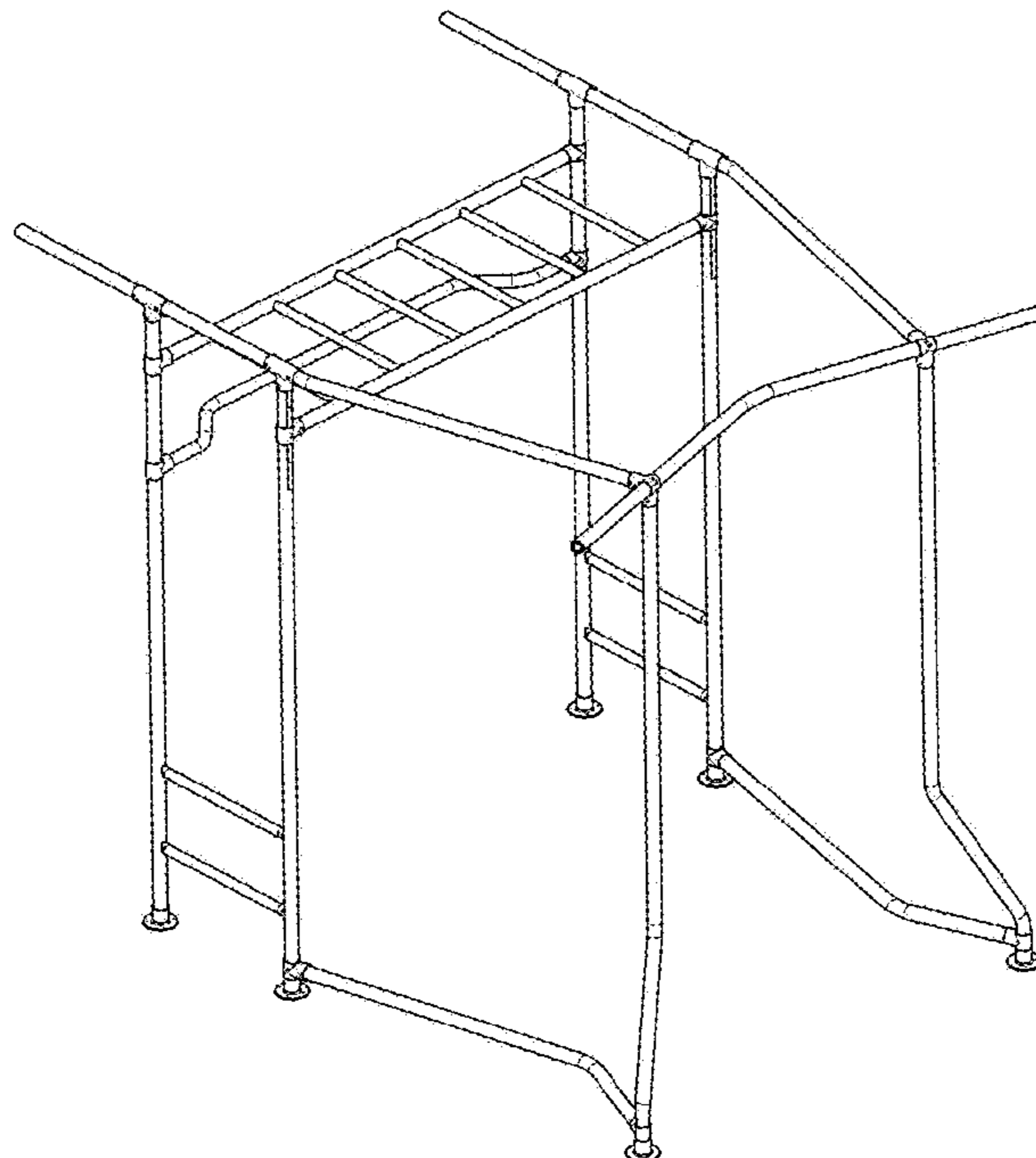
(57) **CLAIM**

The ornamental design for a playground assembly, as shown and described.

DESCRIPTION

FIG. 1 is a first isometric view of our new design of a playground assembly thereof;
 FIG. 2 is a rear perspective view thereof;
 FIG. 3 is a right perspective view thereof;
 FIG. 4 is a left perspective view thereof;
 FIG. 5 is a top plan view thereof;
 FIG. 6 is a right-side view thereof;
 FIG. 7 is a left-side view thereof;
 FIG. 8 is a front view thereof;
 FIG. 9 is a rear view thereof;
 FIG. 10 is an enlarged view of an upper portion of FIG. 1; and,
 FIG. 11 is an enlarged view of a lower portion of FIG. 1.

1 Claim, 11 Drawing Sheets



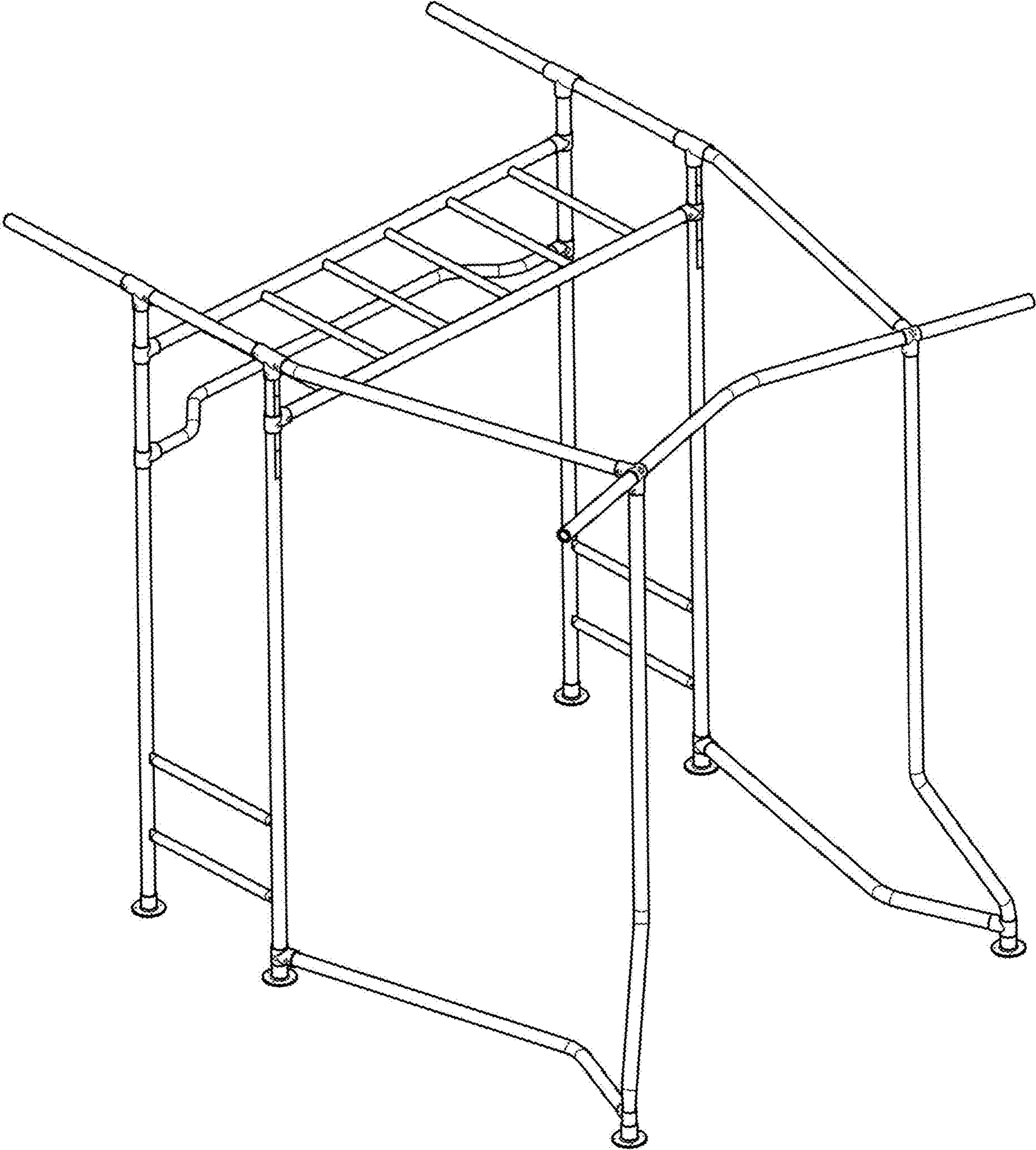


FIG. 1

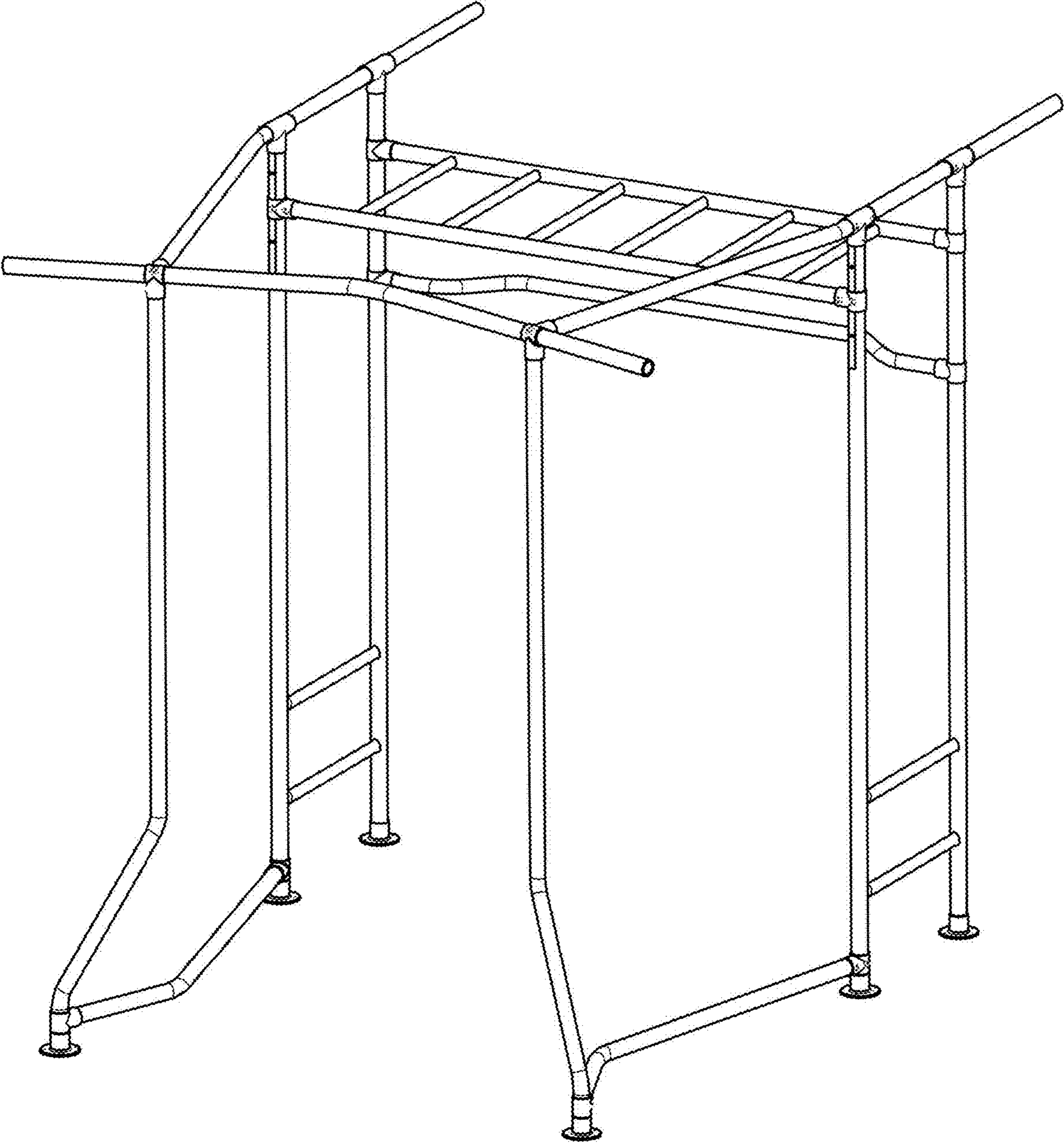


FIG. 2

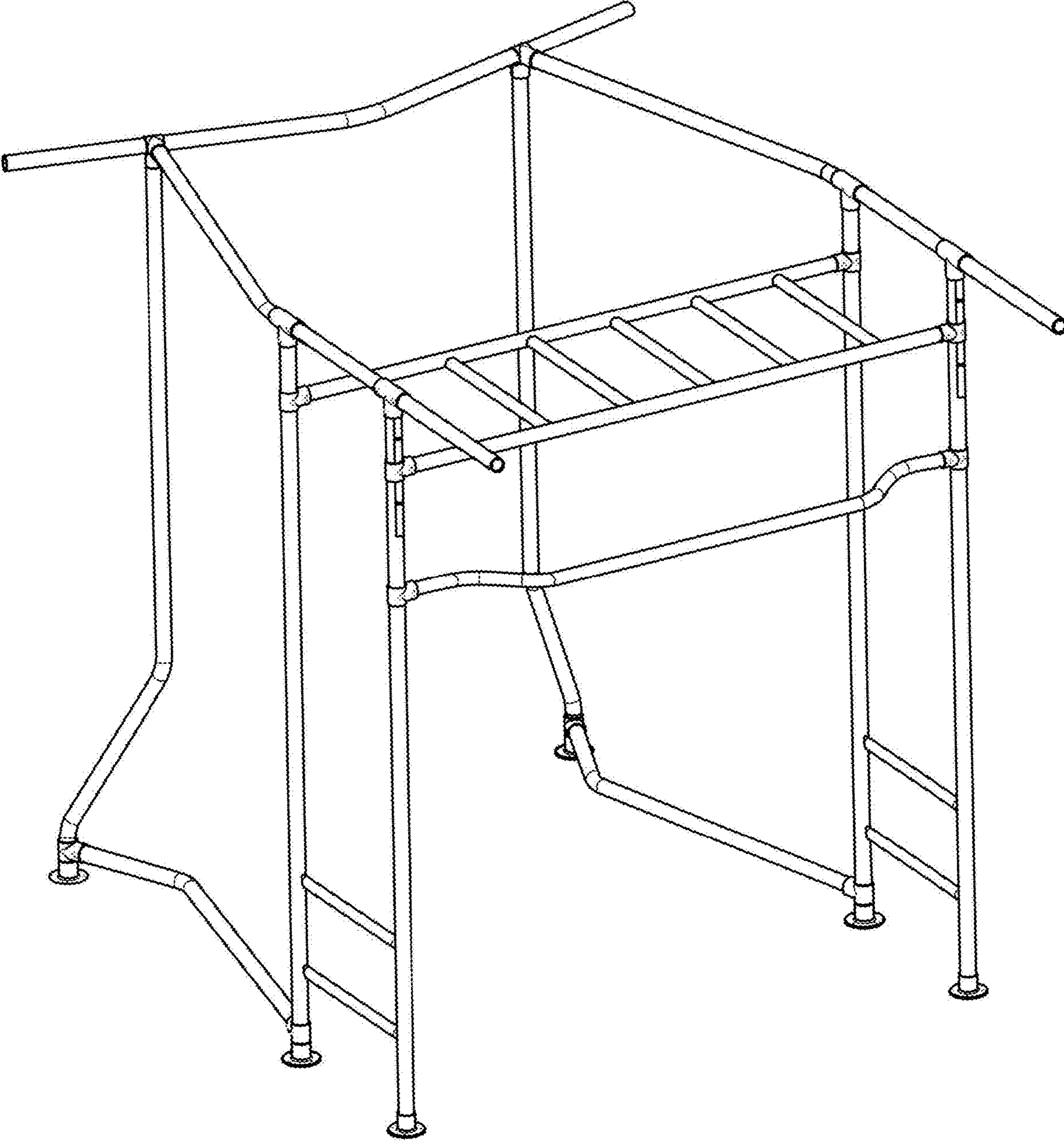


FIG. 3

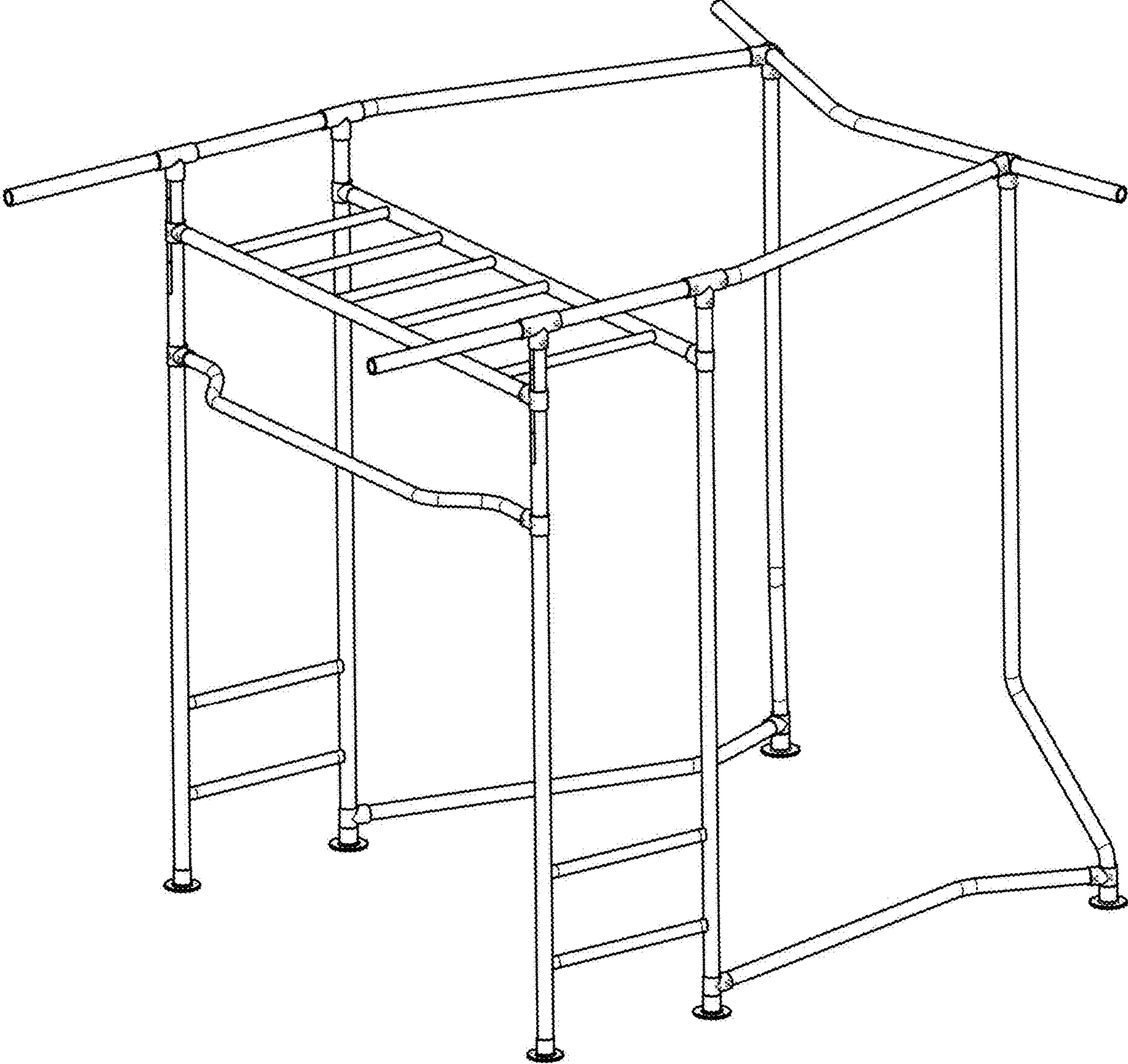


FIG. 4

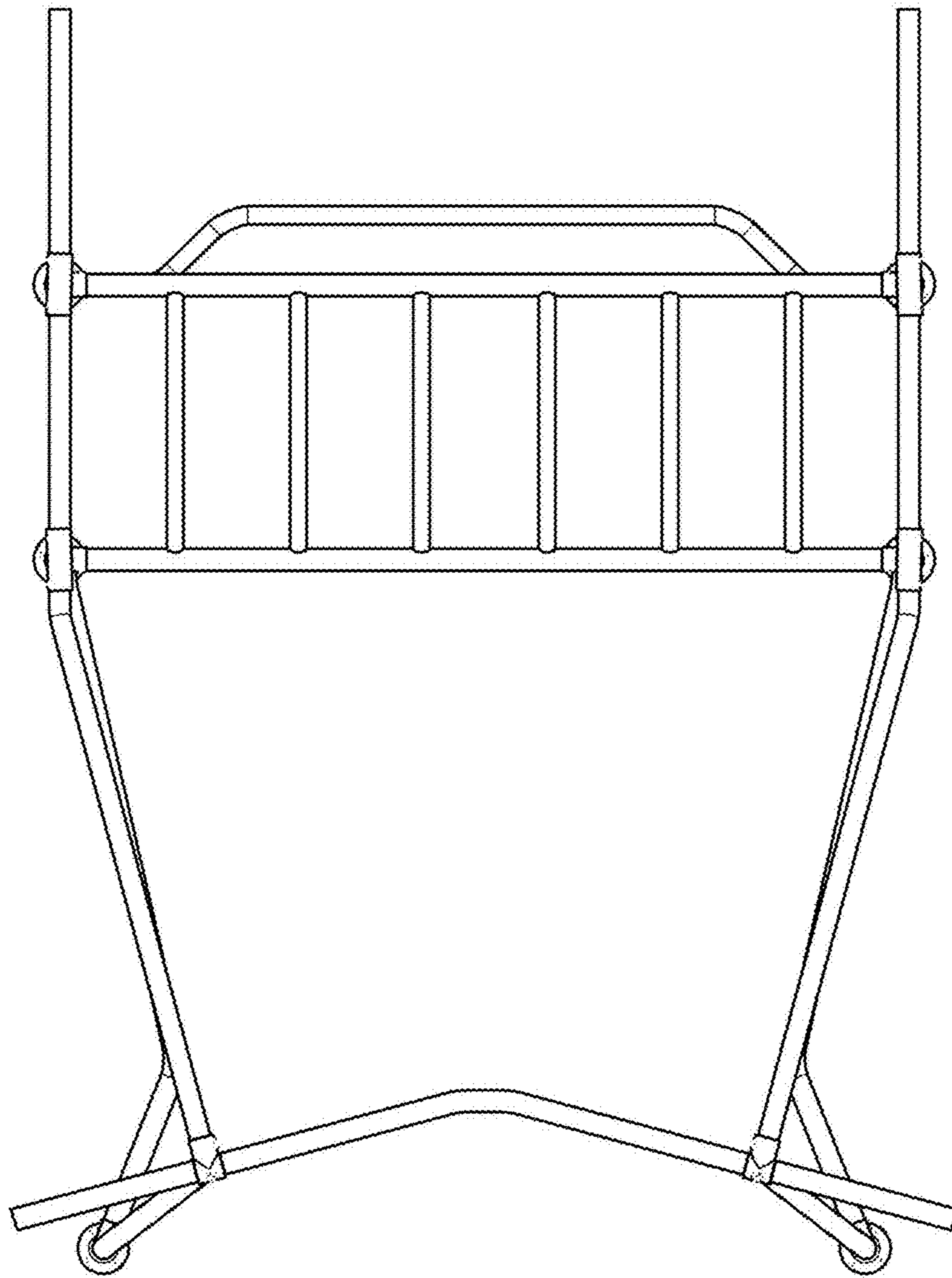


FIG. 5

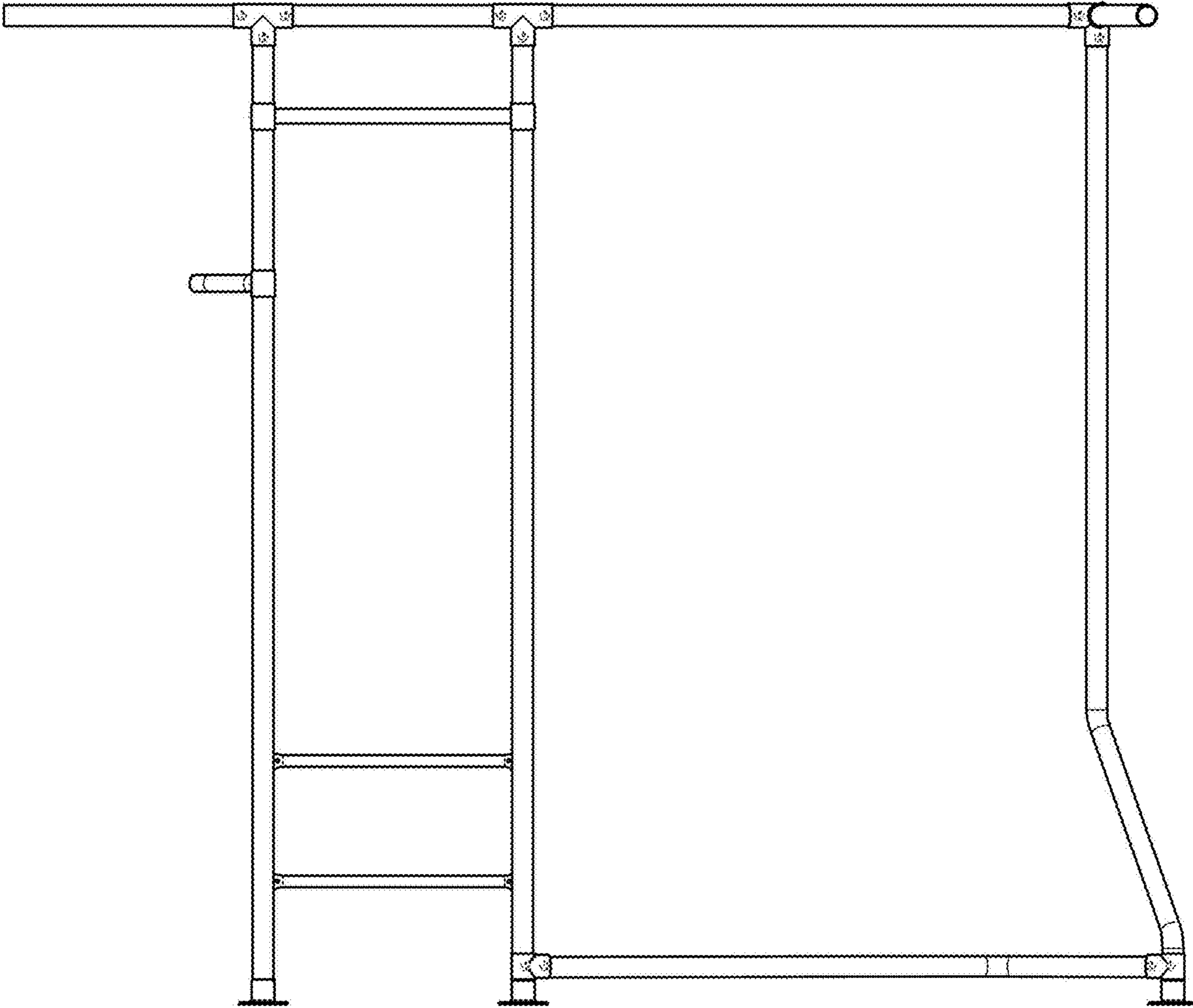


FIG. 6

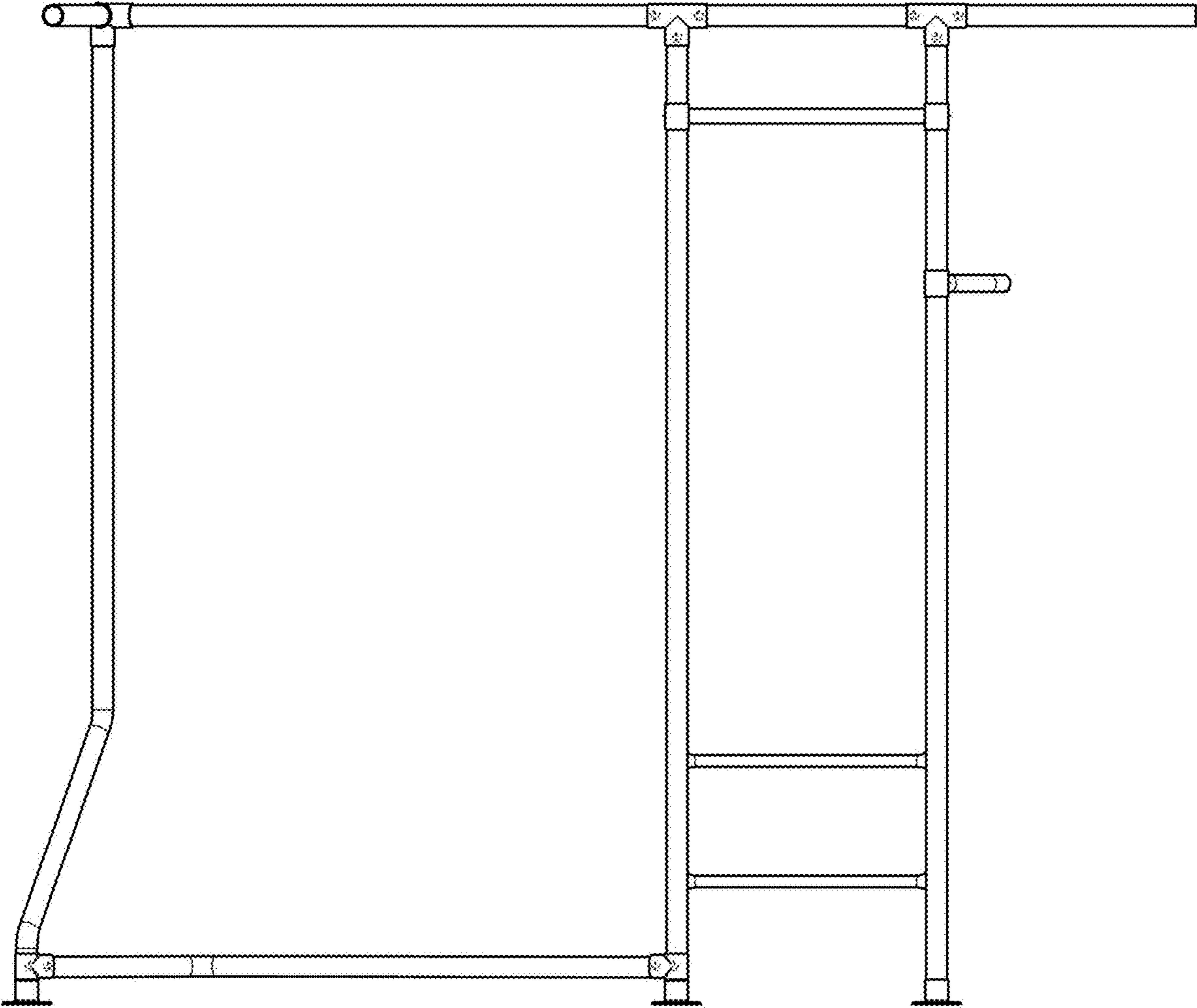


FIG. 7

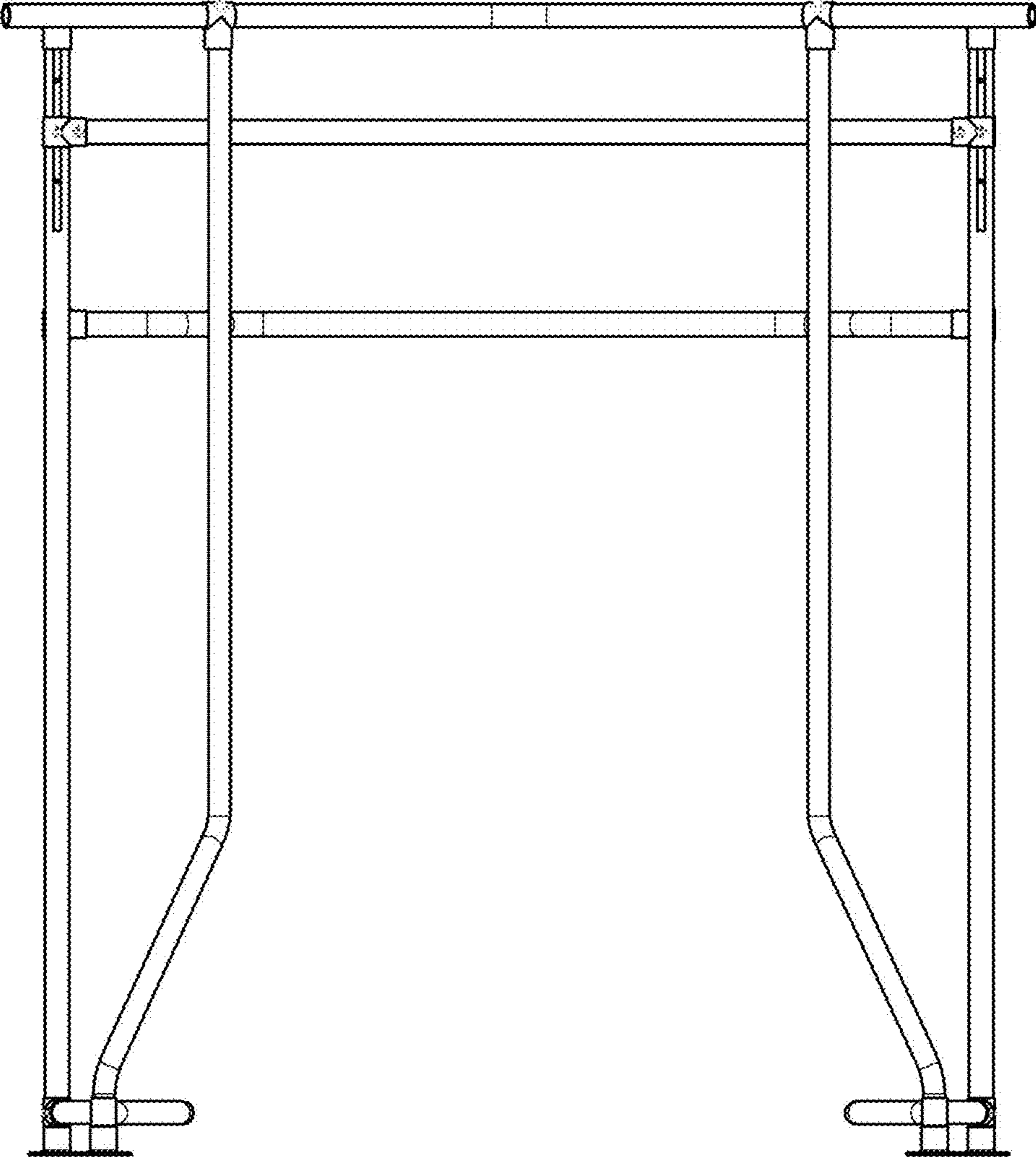


FIG. 8

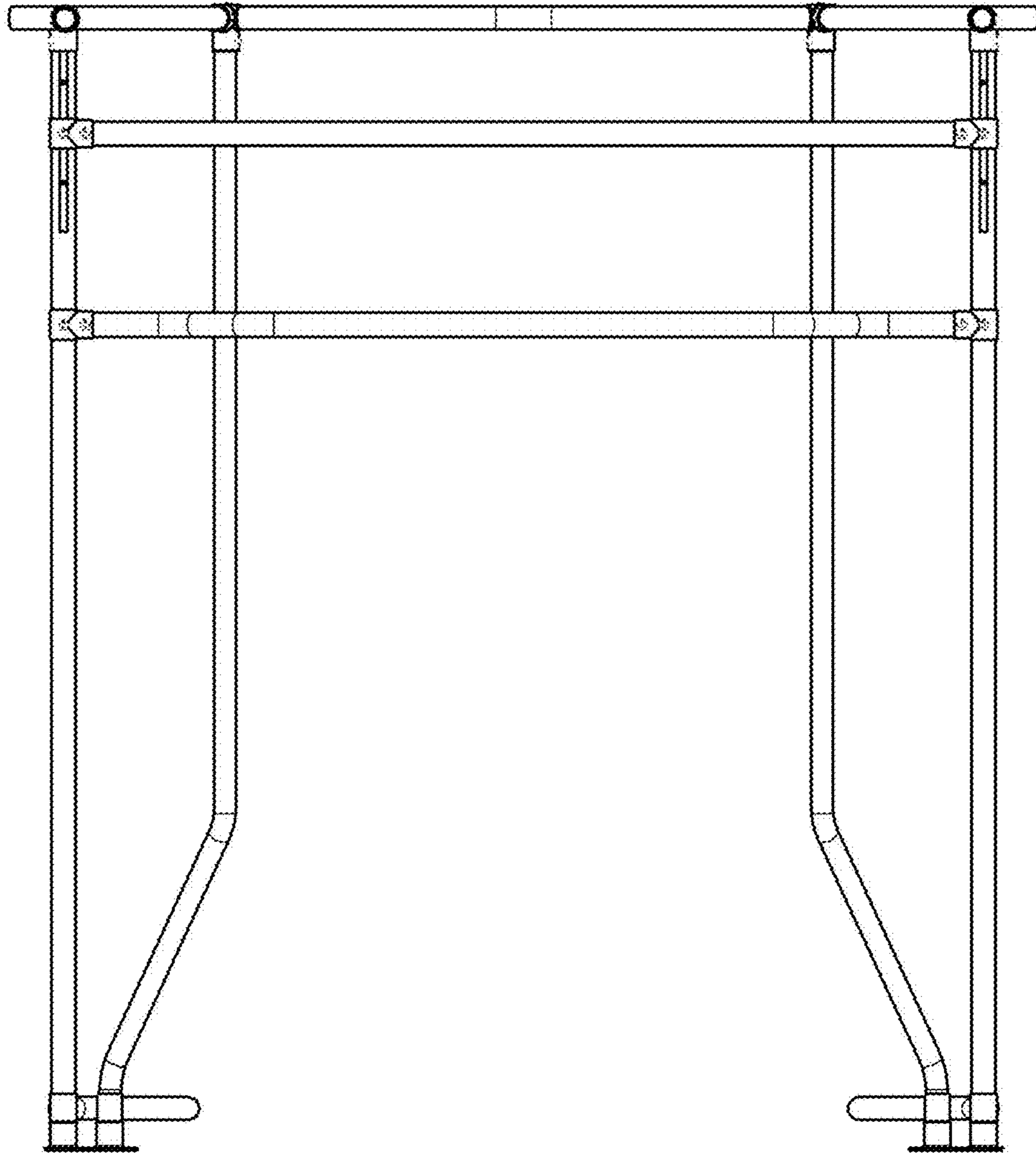


FIG. 9

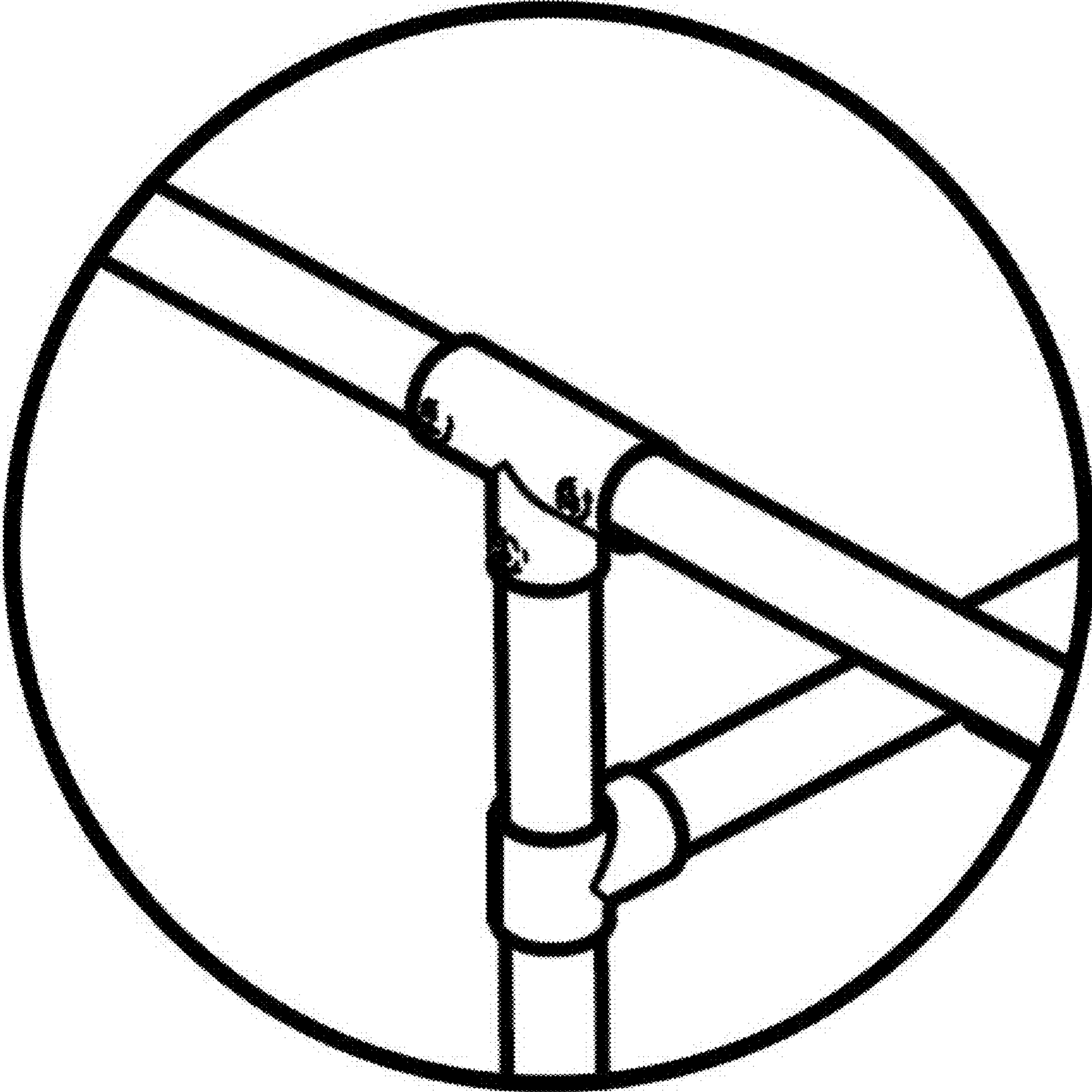


FIG. 10

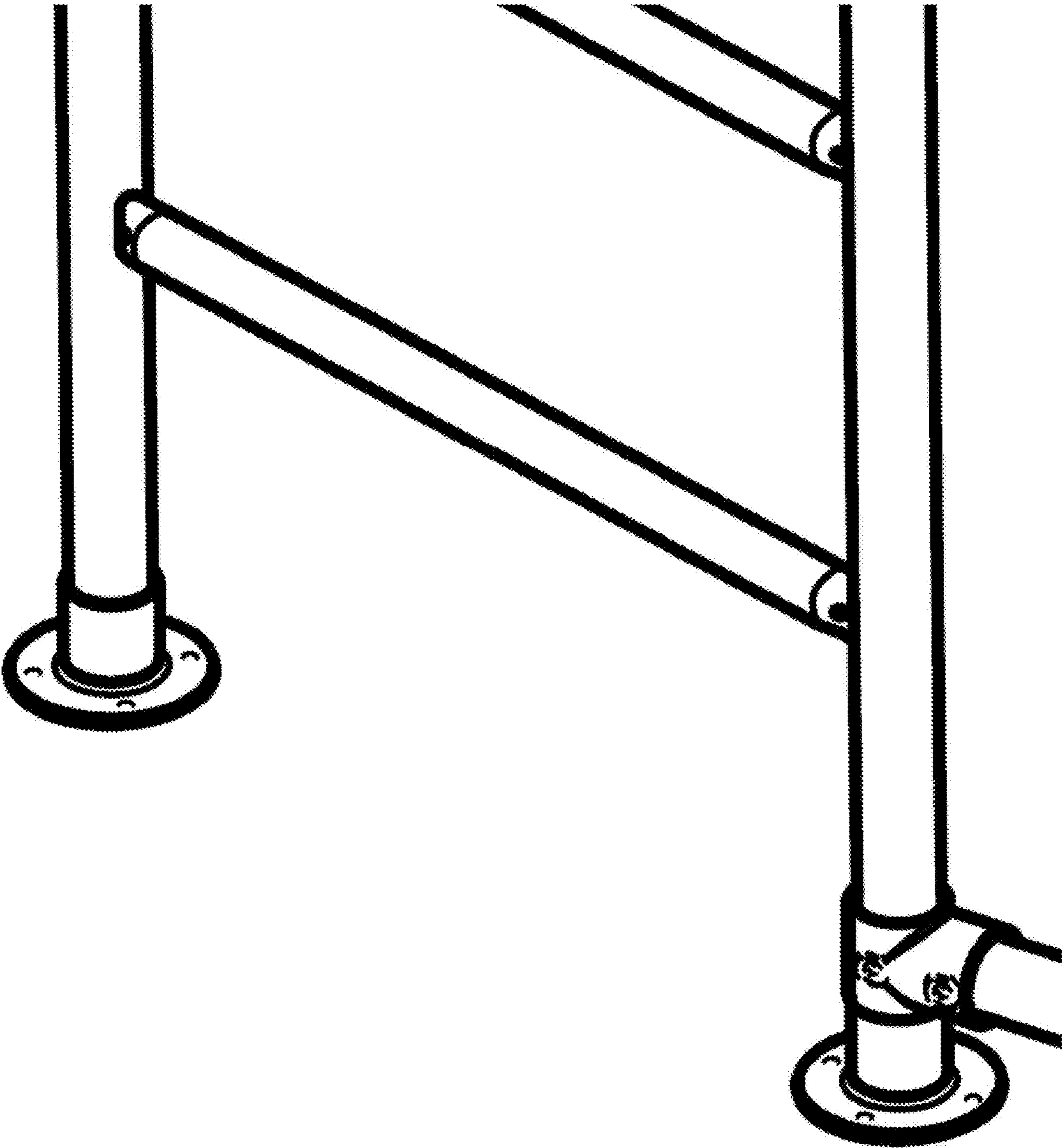


FIG. 11