



US00D979692S

(12) **United States Design Patent** (10) **Patent No.:** **US D979,692 S**
Kirchoff et al. (45) **Date of Patent:** **** Feb. 28, 2023**

(54) **GOLF SWING PRACTICE DEVICE**

(71) Applicants: **Michael Clarence Kirchoff**, Gresham, OR (US); **Ray Gorder**, Gresham, OR (US)

(72) Inventors: **Michael Clarence Kirchoff**, Gresham, OR (US); **Ray Gorder**, Gresham, OR (US)

(**) Term: **15 Years**

(21) Appl. No.: **29/834,105**

(22) Filed: **Apr. 9, 2022**

(51) **LOC (14) Cl.** **21-02**

(52) **U.S. Cl.**
USPC **D21/791**

(58) **Field of Classification Search**
USPC D21/789, 791
CPC A63B 69/3623; A63B 69/3655; A63B 69/3658; A63B 69/3661; A63B 69/3608; A63B 69/3667; A63B 69/0079; A63B 69/0091

See application file for complete search history.

(56) **References Cited**

U.S. PATENT DOCUMENTS

- D216,403 S * 12/1969 Terry D21/466
- 3,604,712 A * 9/1971 Prior A63B 69/36213
473/267
- 4,580,786 A * 4/1986 Shipley A63B 69/36213
473/229
- 4,664,388 A * 5/1987 Huber A63B 67/20
473/138
- D319,092 S * 8/1991 Dennesen D21/466
- 5,121,923 A * 6/1992 D'Allura A63B 69/36
206/315.9
- 5,139,264 A * 8/1992 Wootten A63B 21/154
473/229
- 5,156,402 A * 10/1992 Hart A63B 69/0024
482/109

- 5,188,367 A * 2/1993 Gipe A63B 69/36213
473/229
- 5,242,344 A * 9/1993 Hundley A63B 21/4047
482/93
- 5,265,876 A * 11/1993 Moon A63B 69/36213
473/224
- 5,538,251 A * 7/1996 Harper A63B 69/36213
473/409
- D387,835 S * 12/1997 Abram D21/791
(Continued)

OTHER PUBLICATIONS

Golf swing practice device google search; google.com; Oct. 15, 2022.*

(Continued)

Primary Examiner — Mitchell I. Siegel

(74) *Attorney, Agent, or Firm* — Mark S Hubert

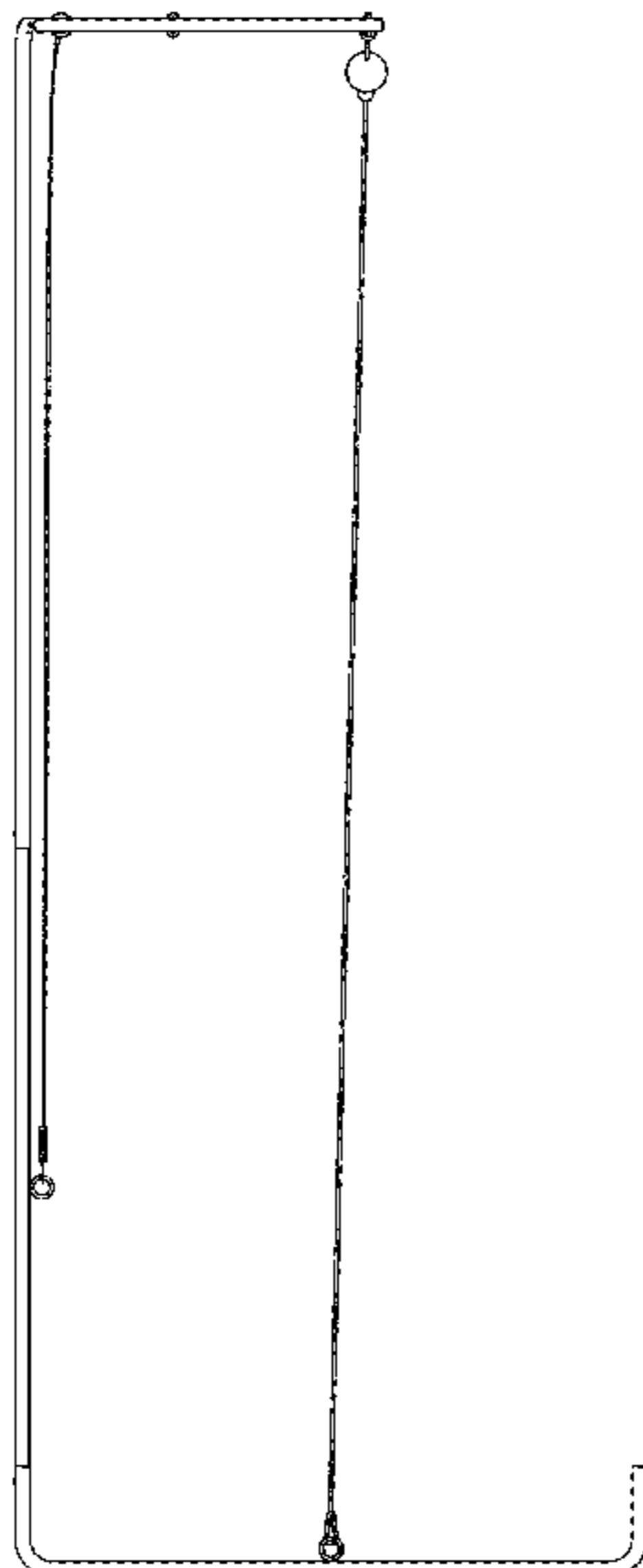
(57) **CLAIM**

We claim the ornamental design for a golf swing practice device, as shown and described.

DESCRIPTION

FIG. 1 is a front perspective view of a golf swing practice device showing our new design;
 FIG. 2 is a top view of the golf swing practice device of claim 1;
 FIG. 3 is a right-side view of the golf swing practice device of claim 1;
 FIG. 4 is a rear view of the golf swing practice device of claim 1;
 FIG. 5 is a front view of the golf swing practice device of claim 1;
 FIG. 6 is a left-side view of the golf swing practice device of claim 1; and,
 FIG. 7 is a bottom view of the golf swing practice device of claim 1.

1 Claim, 6 Drawing Sheets



(56)

References Cited

U.S. PATENT DOCUMENTS

6,196,933 B1 * 3/2001 Hope A63B 69/36213
473/218
6,257,989 B1 * 7/2001 Tortola A63B 69/3658
473/146
D459,426 S * 6/2002 Wang D21/791
7,585,228 B2 * 9/2009 McFarlin A63B 69/36213
473/258
D636,042 S * 4/2011 Campitelli D21/789
D822,779 S * 7/2018 Gayne D21/793
D955,519 S * 6/2022 Arnold D21/791

OTHER PUBLICATIONS

Golf swing training aid google search; google.com; Oct. 15, 2022.*

* cited by examiner

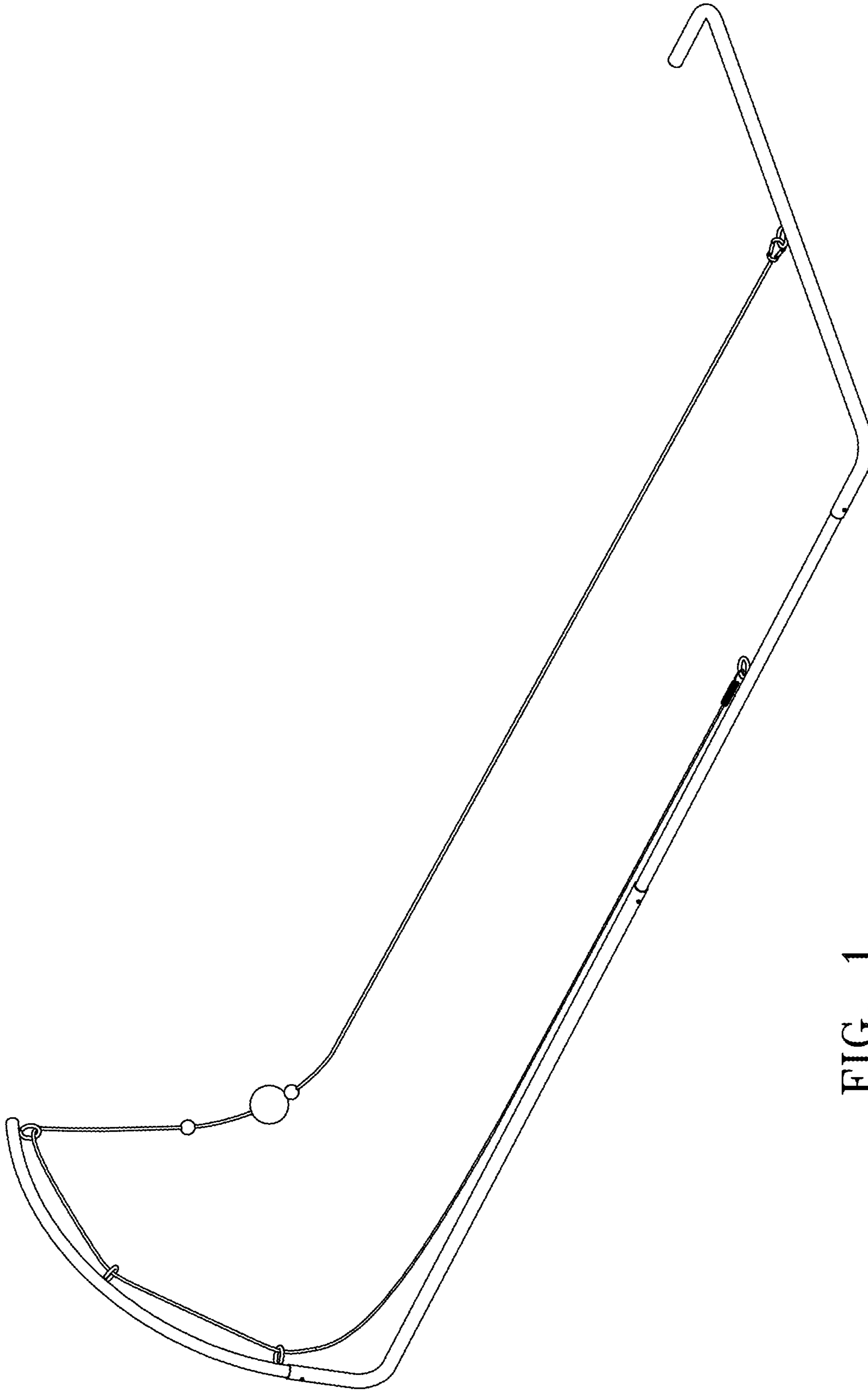


FIG. 1

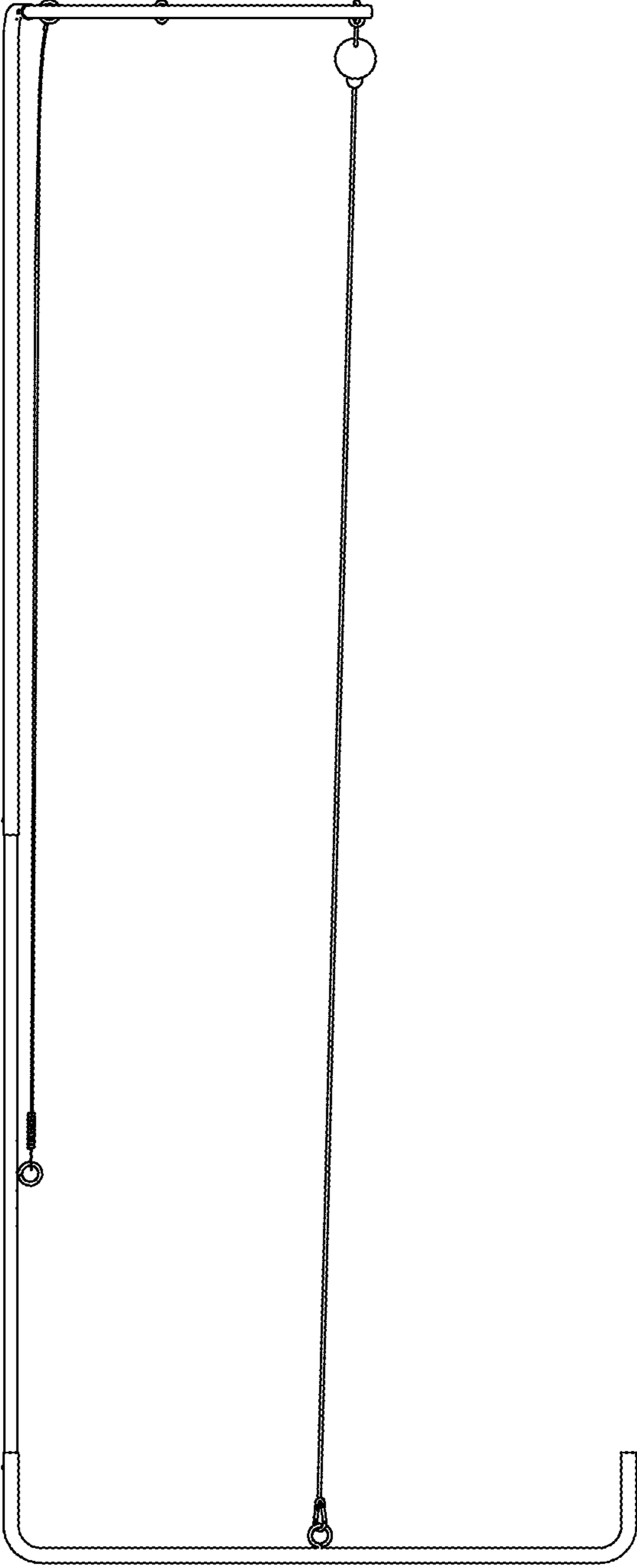


FIG. 2

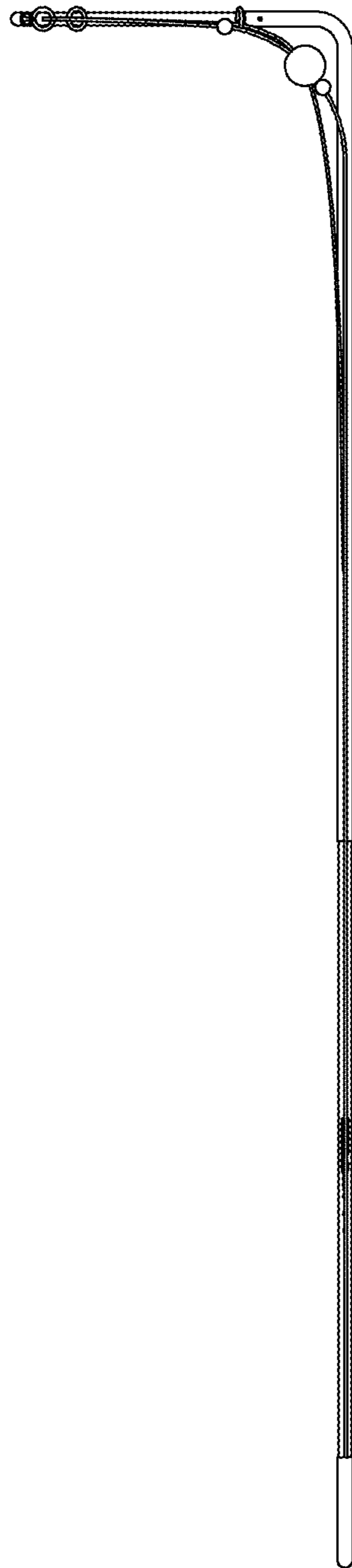


FIG. 3

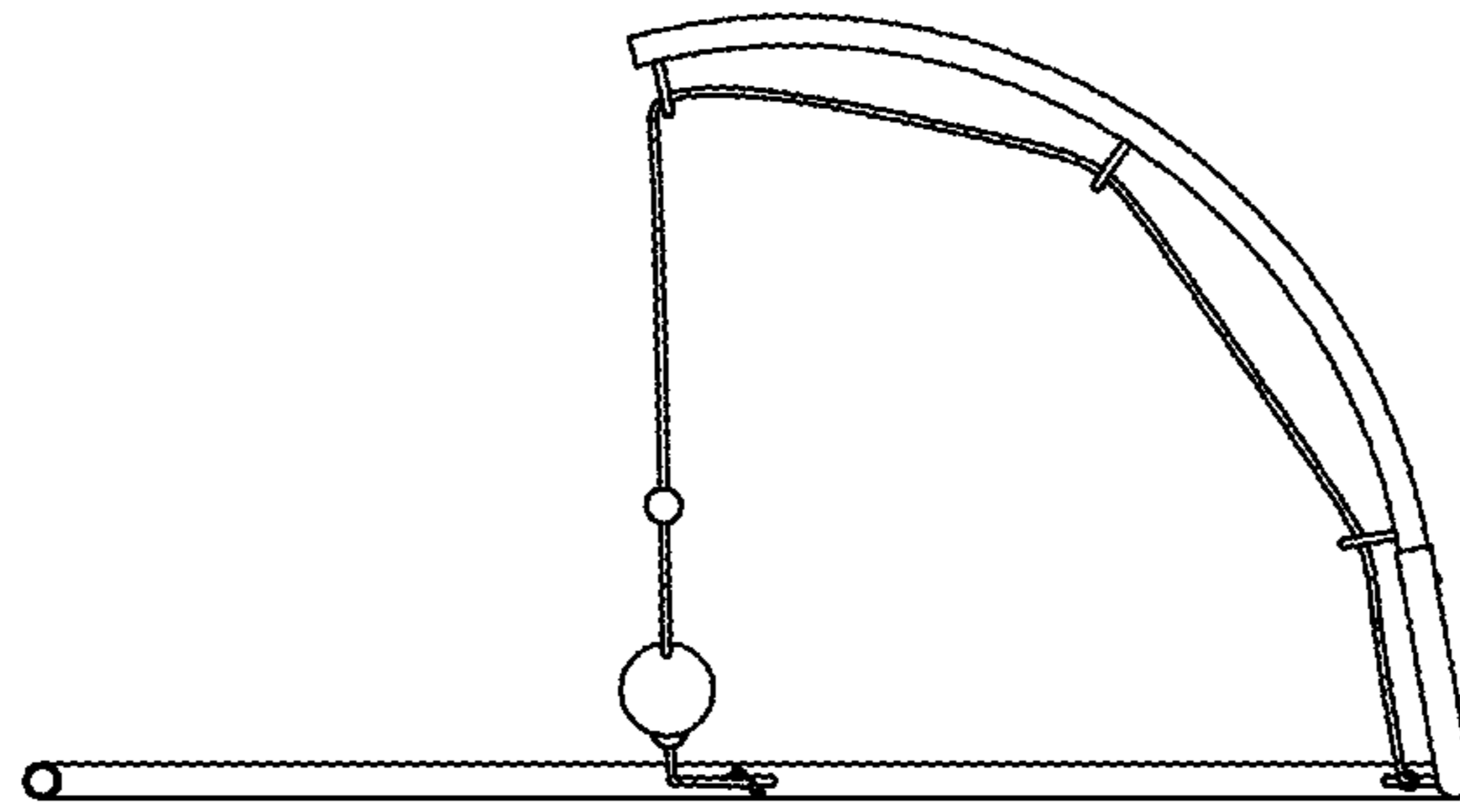


FIG. 4

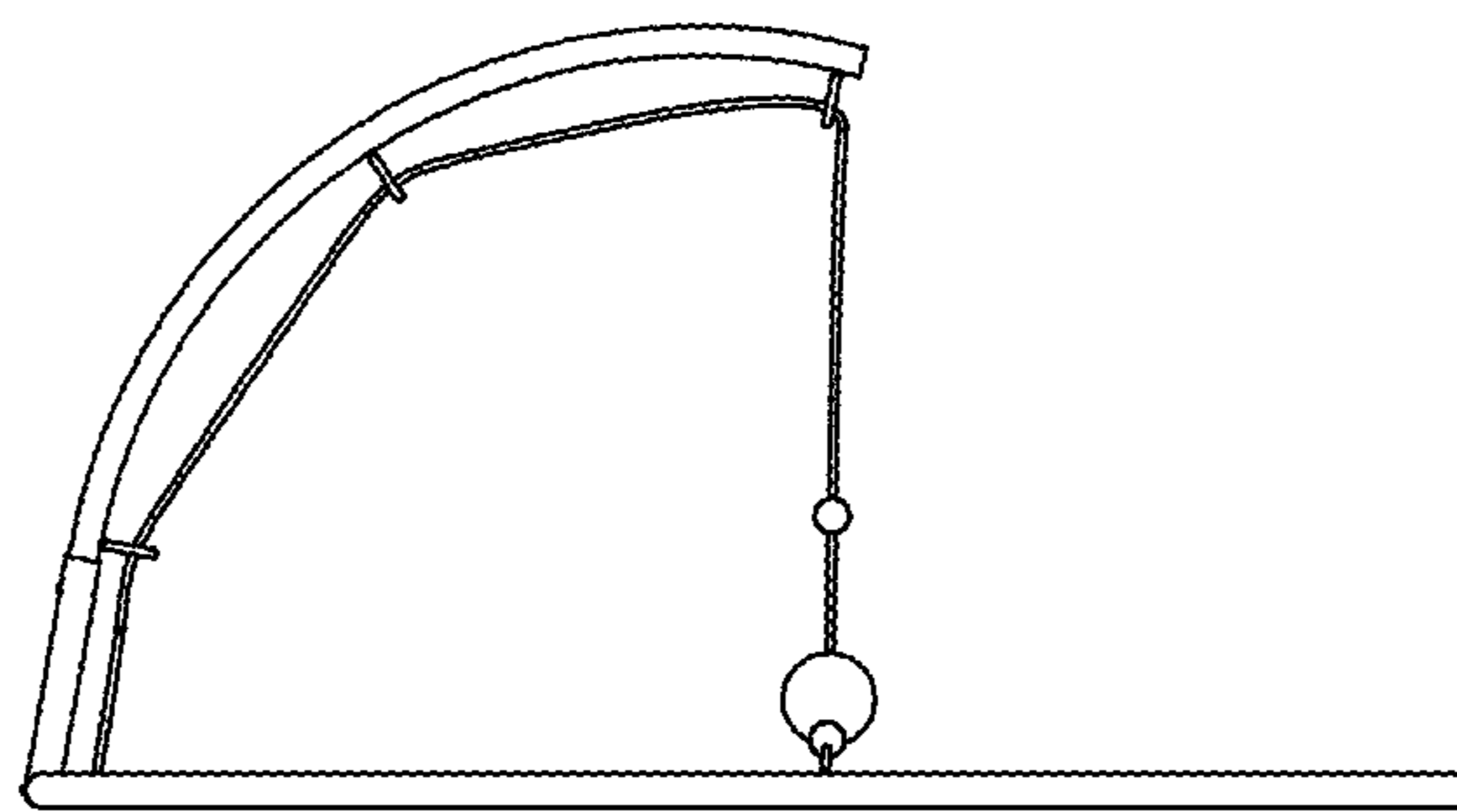


FIG. 5

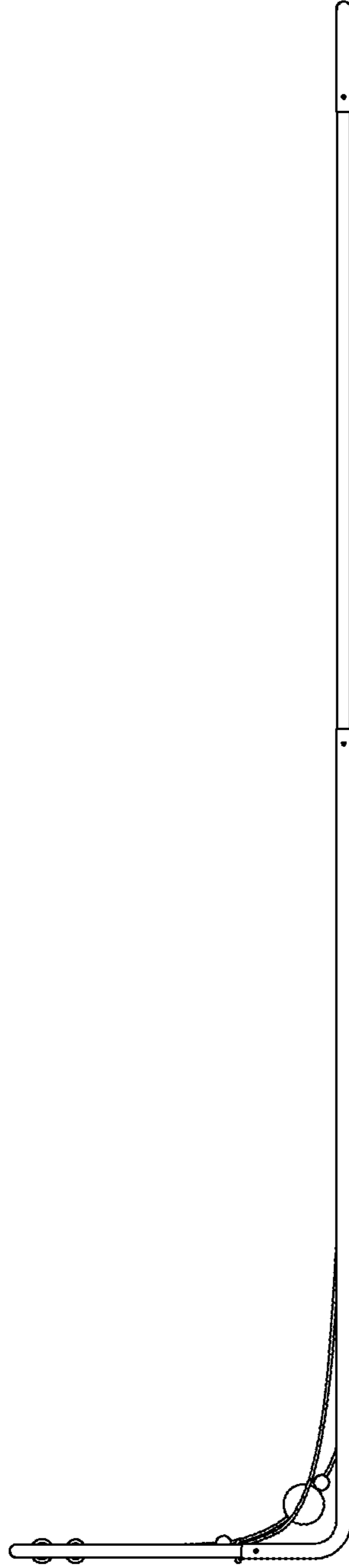


FIG. 6

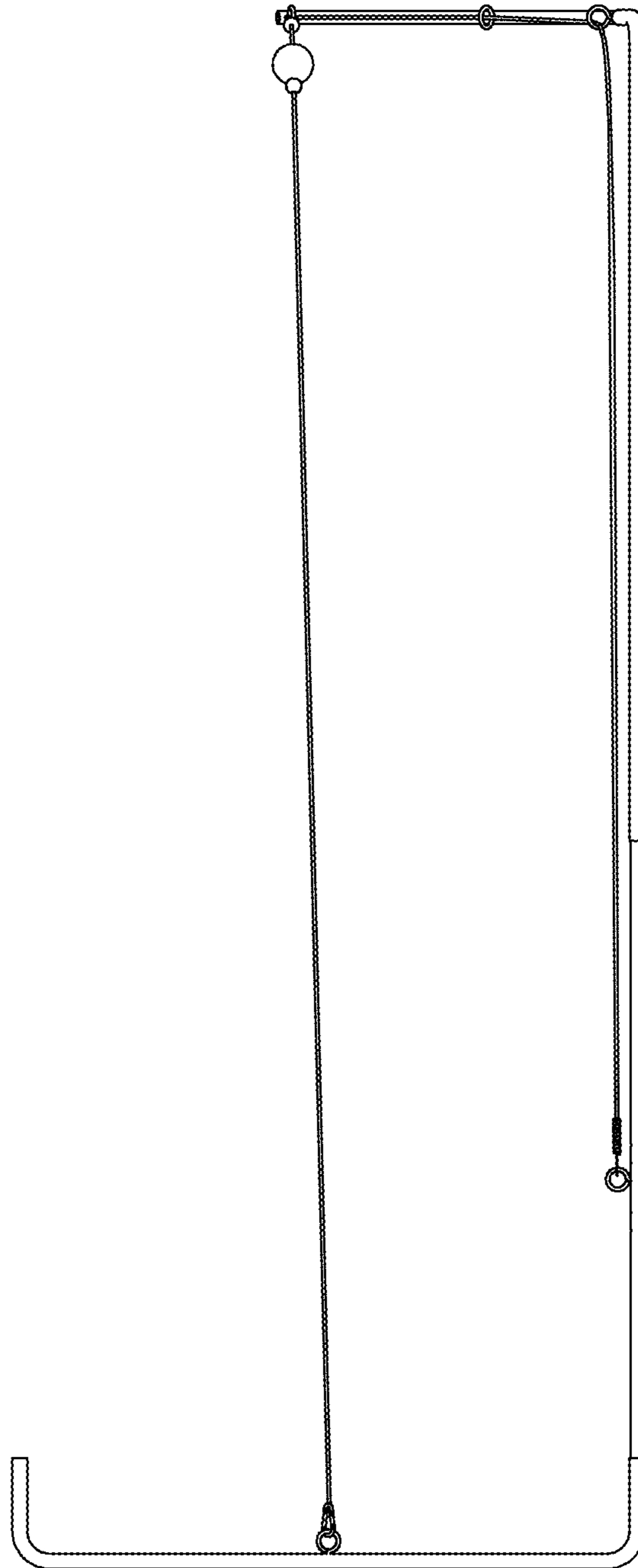


FIG. 7